

# MARKAR AND PEMKO CATALOG

**PEMKO**  
**ASSA ABLOY**

Experience a safer  
and more open world

<b>General Information</b>	<b>2</b>	Eco-V™ Thresholds	124
About the Pemko Product Line	8	Adjustable-Width Eco-V™ Threshold	125
General Information & Terms	9	Heavy Duty Latching Panic Exit Saddle Threshold	126
Materials & Finishes Information	11	Heavy Duty Thresholds	126
Product Testing / Classification Symbols	12	Modular Heavy Duty Thresholds	127
Barrier-Free Systems	14	Floor Plates/Safety Treads	128
ANSI/BHMA Standards	15	Aluminum Plates	129
<b>Markar Continuous Pin and Barrel Hinges</b>	<b>17</b>	Carpet Separators	130
General Information	18	Floor Plate Supports/Accessories and Elevators	131
Hinge Finishes	20	Threshold Stop Strips	132
Hinge Numbering System and Standard Lengths	21	Floor Closer Thresholds/Cover Plate Assemblies	133
Continuous Hinge Modifications	22	ANSI/BHMA A156.21 Thresholds - Cross Reference	134
3500 Series Stainless Steel Pin and Barrel Security Hinges	25	<b>Modular Ramps:</b>	<b>137</b>
600 Series Stainless Steel Pin and Barrel Hinges	29	Ramp Ordering Information	138
300 Series Stainless Steel Pin and Barrel Hinges	30	Modular Ramp Threshold Assemblies - Flush Applications	139
300 Series Stainless Steel Edge Guards	52	Modular Ramp Threshold Assemblies - Offset (7" Top Plate)	140
200 Series Carbon Steel Pin and Barrel Hinges	55	Modular Ramp Threshold Assemblies - Offset (3½" Top Plate)	141
100 Series Aluminum Pin and Barrel Continuous Hinges	60	Modular Ramp Threshold Components	142
1000 Series Aluminum Double Swing Hinge	66	Modular Ramp Threshold Assemblies - Variables	143
900 Series Toilet Partition Hinges	67	Risers for Modular Ramps	143
400 Series Toilet Partition Hinges	69	Miter Returns For All Modular Ramp Thresholds	144
Pivots	71	Barrier-Free Ramp Thresholds	145
Flat Astragals	72	Fire Retardant and Styrene Butadiene Rubber Ramp Thresholds	146
Fasteners and Fastener Packs	73	Rubber Ramp Miter Returns	147
Tools, Parts, and Accessories	78	Recycled Rubber Ramp Assembly	147
Custom Lengths	79	<b>Door Bottoms:</b>	<b>149</b>
<b>PemkoHinge® Geared Continuous Hinges:</b>	<b>81</b>	Automatic Door Bottoms	150
What is PemkoHinge®?	82	Security Door Bottoms	154
Ordering Chart	82	Residential Automatic Door Bottoms	154
BHMA Certification Program	83	End Plates for Automatic Door Bottoms	155
Hospital Tip	83	Excessive Gap Door Bottom Solutions	156
Cycle Requirements and Weight Bearing	83	Excessive Gap Door Top Solutions	156
UL Fire Labeling	83	Eco-V™ Door Shoes	156
Options for Electrically Modified Continuous Geared Hinges	84	Door Shoes	157
X-Series PemkoHinge®	85	Thermally Broken Door Shoe	159
Offset Hinges	86	Door Sweeps for Hollow Metal Doors	160
Full Mortise Hinges	87	Fabrication Options for Door Shoes	160
Special Full Mortise Hinges	88	Door Bottom Sweeps	161
Kawneer Full Mortise Hinges	89	Stainless Steel Door Bottom Sweeps	164
Raised Gear Hinge	89	Specialty Door Bottoms	165
Full Mortise Safety Hinges	90	Door Top Weatherstrip	165
Wide Throw Full Mortise Hinges	91	Heavy Duty Door Bumper	165
Wide Throw Half Surface Hinges	91	<b>Astragals &amp; Meeting Stiles</b>	<b>167</b>
Half Surface Hinges	92	Astragal and Meeting Stile Gasketing - Split Astragals	168
Half Mortise Hinges	92	Split Astragals with Snap Covers - Concealed Fasteners	170
Full Surface Hinges	93	Meeting Stile Gasketing	170
Full Surface Center Pivot Hinges	93	Adhesive Astragal/Meeting Stile Seals	172
Full Surface Balanced Pivot Hinge	93	Adjustable Astragals	172
Full Mortise Residential Hinges	94	"T" and Overlapping Astragals	173
Firepins™	95	Adhesive-Backed Mullion Gasketing	174
Double Swing Hinge	96	Adhesive Astragal Seal	174
Emergency Release Stop	96	Offset Security Bar and Security Astragal	174
Power Transfer Units	97	Locking Astragals	175
<b>Commercial Thresholds:</b>	<b>99</b>	Locking Wood Astragals	177
Saddle Thresholds	100	Outswing Locking Astragals	178
Half Saddle Thresholds	106	<b>Brush Gasketing:</b>	<b>179</b>
Offset Saddles and Offset Half Saddles	109	180° Aluminum Retainers	180
Stainless Steel Saddles	110	180° Concealed Fastener Retainers	181
Stainless Steel Half Saddles and Offset Saddles	111	90° Aluminum Retainers	182
Thermal Break Saddles	112	45° Concealed Fastener Retainers	182
Stainless Steel Thermal Break Threshold	115	Mortise Retainers	184
Latching Panic Exit Saddles	116	Aluminum Retainer with Rain Drip	184
Latching Panic Exit Saddles - Thermal Break	120	Oak Retainers	184
Acoustic Thresholds	123	Meeting Stiles	185
Threshold with Flexible Joint	123		



Experience a safer  
and more open world

800-824-3018 | [www.pemko.com](http://www.pemko.com)  
Check the web site for the up-to-date catalog

Copyright © 2015-2022, ASSA ABLOY Accessories and Door Controls Group, Inc., an ASSA ABLOY Group company. All rights reserved.  
Reproduction in whole or in part without the express written permission of ASSA ABLOY Accessories and Door Controls Group, Inc. is prohibited.

<b>Perimeter Gasketing:</b>	<b>187</b>		
Standard Perimeter Gasketing	188	H800S-SW Series	245
Perimeter Gasket Solutions for Sliding Doors	191	H1100A-OH Series	246
Stainless Steel Perimeter Gasketing	192	H1100A-SW Series	247
Adjustable Jamb Gasketing	193	Husky Sliding Glass Series	248
Heavy Duty Interlock Perimeter Gasketing	193	Pocket Frame Kit	249
Heavy Duty Perimeter Gasketing - Head Section	194	Folding 100 Series	250
Heavy Duty Perimeter Gasketing - Standard Jamb	195	Pacer Interior End Fold Series	251
Perimeter Gasket Jamb Brackets	195	Flexirol Interior End Fold Series	252
Snap Cover Perimeter Gasketing With Concealed Fasteners	196	Hidden Sliding Door System	253
Kerf-In Weatherstrip	197	Stainless Steel Sliding Track Hardware System for Wood Doors	254
Magnetic Weatherstrip	198	Stainless Steel Sliding Track Hardware System for Glass Doors	263
Adhesive Perimeter Gasketing	198	Builders Series Flat Track for Wood Doors	265
MicroShield® Antimicrobial Adhesive Gasketing	199	Designer Series Flat Track for Wood Doors	267
Excessive Gap Perimeter Solution	200	SIM 150 - 2 Door	271
Interlock Weatherstrip For Wood Windows	200	SIM 150 - 3 Door	272
Interlock Weatherstrip For Wood Doors	201	Cascading Door with Sample Configurations	273
Cushion/Spring Weatherstrip	201	SDL Privacy Barn Door Lock	274
Fasteners for Cushion, Spring and Interlock Weatherstrip	201	Options and Accessories	275
Privacy Seals for Sliding Doors	202	Privacy Seal Sets	275
		Soft Close Systems	276
<b>Adhesive Gasketing:</b>	<b>203</b>	<b>Residential Thresholds</b>	<b>279</b>
SiliconSeal Adhesive-Backed Fire/Smoke Gasketing	204	Interlocking Thresholds and Caps	280
PemkoPrene® Adhesive-Backed Fire/Smoke Gasketing	205	Interlocking Thresholds - Water Return	281
SiliconSeal Adhesive-Backed Meeting Stile Gasketing	205	Interlocking Hooks	281
MicroShield® Antimicrobial Gasketing	206	Adjustable Eco-V™ Top Thresholds	282
Hot Smoke Seal/SiliconSeal Combination Fire/Smoke Sealing	206	Eco-V™ Top Thresholds	282
		Residential Saddles	282
<b>Hospitality Products:</b>	<b>207</b>	Bumper Thresholds for Outswing Doors	283
Privacy Door Latch, Bracket and Decals	208	Squareback Thresholds	283
SiliconSeal Adhesive Gasketing	209	Oak Thresholds	284
Automatic Door Bottoms: Acoustic	210	Sill Nosings	284
Door Shoes	210	Adjustable Aluminum Top Sills	285
Acoustic Adhesive Corner Pads	210	Adjustable Oak Top Sills	286
Automatic Door Bottoms	211	Outswing Adjustable Oak Top Sills	287
Eco-V™ Thresholds	212	Residential All-Aluminum Adjustable Sills	287
Adjustable-Width Eco-V™ Threshold	213	Fixed Eco-V™ Top Residential Sills	288
Stainless Steel Sliding Track Hardware System	214	Residential All-Aluminum Fixed Sills	288
Simultaneous Acting Sliding Door System	215	Outswing Fixed Bumper Sills	289
SHS80 System	216	Extenders For All Residential Sills	289
Bypass Track Series	217	Thresho-Sills	290
		Fabrication Options For Thresho-Sills	291
<b>Acoustic Products:</b>	<b>219</b>	<b>Floor Molding, Trim, &amp; Handyshapes™</b>	<b>293</b>
Basic Acoustic Information	220	Carpet Bar and Seam Binding	294
Acoustic Seal Sets	222	Stair Nosing	294
Acoustic Thresholds	223	Oak Seam Binding, Floor Edging, and Carpet Trim	294
Saddle Thresholds	224		
Automatic Door Bottoms - Acoustic	225	<b>Weatherization Products</b>	<b>295</b>
Door Shoes	225	Foam Tape	296
Acoustic Adhesive Corner Pads	225	Neoprene Tape	296
Standard Perimeter Gasketing	226	Miscellaneous Tape	297
SiliconSeal Adhesive-Backed Gasketing	226	Spring Bronze Weatherstrip	297
		Garage Door Weatherstrip	297
<b>Pemko Sliding &amp; Folding Hardware:</b>	<b>227</b>	<b>Fire Glazing Tape</b>	<b>299</b>
H180A Series	228	Fire Glazing Tape	300
SHS80 Series	229	Fire Glazing Tape Applications	301
Sliding 200 Series	230		
Side Wall Track (SWT) System	231	<b>Door &amp; Frame Accessories</b>	<b>307</b>
Bypass Track Series	234	Glazing Bead/Spreader Bar	308
SIM200A Series	235	Reinforcements - Fillers	308
LP200 Series	236	Reinforcements - Misc.	309
Sirocco Series	237		
H300S-OH Series	238		
H300S-SW Series	239		
H440A-OH Series	240		
H440A-SW Series	241		
H600S-OH Series	242		
H600S-SW Series	243		
H800S-OH Series	244		

800-824-3018 | [www.pemko.com](http://www.pemko.com)

Check the web site for the up-to-date catalog

Copyright © 2015-2022, ASSA ABLOY Accessories and Door Controls Group, Inc., an ASSA ABLOY Group company. All rights reserved.  
 Reproduction in whole or in part without the express written permission of ASSA ABLOY Accessories and Door Controls Group, Inc. is prohibited.

**PEMKO**  
**ASSA ABLOY**

Experience a safer  
 and more open world

Product	Index	Product	Index	Product	Index	Product	Index	Product	Index
1A/290.....	239	70D-100.....	201	149.....	283	210.....	157	254x226_FG.....	120
1A/290/EC.....	238	70E-99.....	201	151.....	100	211.....	157	255.....	107
1A/301.....	243	70F-100.....	201	151.....	224	212.....	282	255x5.....	105
1A/301/EC.....	242	72.....	257	154.....	103	215.....	157	255x5_FG.....	113
1A/550.....	247	73.....	201	154.....	224	216.....	157	255x226.....	119
1AX/290.....	239	74.....	201	154SS.....	110	216_FG.....	159	255x226_FG.....	120
1AX/301.....	243	75.....	201	157.....	110	217.....	157	256.....	108
1AX/301.....	245	82.....	258	158.....	109	218.....	282	256x6.....	105
1B.....	241	89/2N.....	238	158SS.....	110	218OAK.....	284	256x6_FG.....	112
1BX.....	241	92.....	259	159.....	118	219.....	282	257.....	145
2.....	12	94A.....	228	160_M.....	290	219OAK.....	284	257x259.....	133
2P.....	200	94A.....	238	161_M.....	290	221.....	159	257x259.....	145
3A/290.....	238	94A.....	250	166.....	102	222.....	160	259.....	145
3A/301.....	242	94A.....	275	167.....	290	223.....	158	270.....	100
3A/301.....	244	101.....	280	169.....	102	225.....	160	270.....	154
3AX/290.....	238	102N.....	228	170.....	102	227.....	128	271.....	100
3AX/301.....	242	102N.....	238	171.....	104	228.....	128	272.....	100
3AX/301.....	244	102N.....	254	172.....	104	229.....	128	273.....	106
4C.....	200	102N.....	265	173.....	100	230.....	130	273x3_FG.....	112
4P.....	200	102N.....	275	174.....	130	234.....	157	273x4_FG.....	112
6C.....	200	102WA.....	228	175.....	103	236.....	130	273x224_FG.....	121
8-12/SN.....	248	102WA.....	230	175.....	224	249.....	282	273x292_FGPK.....	122
10.....	9	102WA.....	235	175SS.....	110	250.....	282	274.....	106
10.....	200	102WA.....	239	176.....	104	252.....	107	274x4.....	101
12.....	263	102WA.....	241	176.....	133	252SS.....	110	274x4_FG.....	112
14/1.....	129	102WA.....	245	176x170.....	133	252x2_FG.....	113	274x4x270.....	133
18/1.....	129	102WA.....	275	176x171.....	133	252x2SSFG.....	115	274x4x271.....	133
21/550/P.....	252	102WN.....	228	177.....	118	252x3_FG.....	113	274x224_FG.....	121
21BO/4.....	251	102WN.....	235	179.....	117	252x3SSFG.....	115	274x292_FGPK.....	122
21B/P.....	251	102WN.....	239	181.....	118	252x4SSFG.....	115	276.....	101
21N/94.....	251	102WN.....	241	182.....	110	252x226.....	119	276.....	133
21R/94.....	252	102WN.....	243	183.....	131	252x226_FG.....	120	276x270.....	133
30.....	8	102WN.....	245	184.....	132	253.....	107	276x271.....	133
30.....	201	102WN.....	265	185.....	119	253SS.....	110	277.....	117
32.....	264	106HF/94.....	250	188.....	131	253x3_FG.....	113	278.....	106
41M.....	201	106N/94.....	275	189.....	131	253x3SS FG.....	115	278x224_FG.....	121
43.....	201	106R/94.....	228	190.....	128	253x4_FG.....	113	278X292_FGPK.....	122
52.....	10	106R/94.....	238	191.....	128	253x4SS FG.....	115	279.....	106
56.....	162	106R/94.....	275	192.....	128	253x6_FG.....	114	279x224_FG.....	121
57.....	162	108.....	280	193.....	128	253x226_FG.....	120	279x292_FGPK.....	122
57A/N.....	244	110.....	280	193x2/195.....	133	254.....	107	280.....	228
57A/S.....	242	111.....	260	195.....	131	254SS.....	111	280.....	235
57B.....	240	114.....	280	196.....	131	254x4.....	104	280.....	250
57K/N.....	238	120.....	280	196.....	154	254x4_FG.....	114	280_SWF.....	231
61.....	281	136.....	281	196.....	165	254x4SS FG.....	115	280_SWT.....	231
62.....	254	140_M.....	290	200.....	131	254x4x170.....	133	280_SWTKIT.....	231
66.....	281	142.....	281	206.....	282	254x4x171.....	133	281.....	229
68.....	165	145.....	281	208.....	282	254x5_FG.....	114	281.....	235
70C-100.....	201	146.....	281	209.....	157	254x226.....	119	281.....	248

**PEMCO**  
**ASSA ABLOY**

Experience a safer  
and more open world

800-824-3018 | [www.pemko.com](http://www.pemko.com)  
Check the web site for the up-to-date catalog

Copyright © 2015-2022, ASSA ABLOY Accessories and Door Controls Group, Inc., an ASSA ABLOY Group company. All rights reserved.  
Reproduction in whole or in part without the express written permission of ASSA ABLOY Accessories and Door Controls Group, Inc. is prohibited.



Product	Index	Product	Index	Product	Index	Product	Index	Product	Index
281.....	250	319.....	189	556/57.....	246	2008.....	223	2748x270.....	133
281.....	275	319SS.....	192	566.....	109	2009.....	117	2748x271.....	133
282.....	131	321.....	161	566x3_FG.....	114	2009.....	223	2749.....	101
282HD.....	250	321SS.....	164	573x5_FG.....	123	2010.....	117	2750.....	101
283.....	131	322.....	193	600A.....	240	2051.....	283	2755.....	107
283.....	250	324.....	284	600A.....	251	2052.....	283	2802.....	234
284D.....	248	325XGSS.....	156	601H.....	229	2053.....	283	2802.....	273
285.....	190	326.....	284	601H.....	235	2054.....	283	2802BT.....	234
287R1-KIT.....	228	327.....	284	601H.....	248	2113.....	158	2802BT.....	275
287R1-KIT.....	230	330.....	190	601H.....	273	2113.....	210	2803.....	271
287R1-KIT.....	234	331.....	201	601H.....	275	2120.....	294	2812.....	234
289B.....	250	332.....	189	601P.....	240	2132.....	294	2812.....	273
289T.....	250	335.....	193	766.....	109	2132W.....	294	2812.....	275
290.....	132	336.....	193	766x3_FG.....	114	2134.....	294	2815_M.....	198
290.....	195	344.....	165	950.....	191	2170.....	156	2891.....	194
290.....	238	345.....	162	950.....	202	2173.....	158	2892.....	194
294.....	191	345.....	163	971A.....	228	2173.....	210	2893.....	194
296.....	190	345.....	184	971A.....	235	2211.....	159	2902.....	195
297.....	168	346.....	165	971A.....	238	2212.....	159	2903.....	195
297.....	188	347.....	165	971A.....	240	2212.....	225	3151.....	161
300.....	171	350.....	193	971A.....	242	2219.....	294	3151.....	190
301.....	242	351.....	172	971A.....	244	2219W.....	294	3151SS.....	164
303.....	168	352.....	173	971A.....	246	2221.....	160	3261.....	284
303.....	188	354.....	172	971A.....	250	2266.....	128	3443.....	178
303.....	226	355.....	173	971A.....	275	2286.....	128	3444.....	178
305.....	168	356.....	173	987.....	10	2343.....	158	3452.....	162
305.....	189	357.....	173	1075C.....	228	2343.....	210	3452.....	163
305SS.....	168	358.....	170	1076.....	273	2364.....	130	3452.....	184
305SS.....	192	359.....	173	1547.....	103	2366.....	130	3481.....	177
306.....	191	368.....	161	1547.....	224	2500W.....	284	3483.....	177
307.....	162	369.....	171	1710.....	103	2500W.....	294	3493.....	174
308.....	162	371.....	171	1715.....	126	2548.....	104	3494.....	174
309.....	191	372.....	171	1716.....	127	2548.....	133	3495.....	176
310.....	169	375.....	173	1717.....	127	2548x170.....	133	3496.....	176
311CIN.....	169	375.....	189	1718.....	127	2548x171.....	133	3572.....	174
312.....	190	378.....	174	1719.....	127	2549.....	105	3692.....	158
312.....	226	379.....	193	1842.....	132	2550.....	105	3692.....	210
313.....	165	394.....	191	1855.....	118	2555.....	108	3692.....	225
313.....	170	394.....	202	1951.....	130	2565.....	108	4131.....	152
314.....	165	403/2.....	251	2001.....	116	2705.....	126	4131.....	211
314.....	170	405.....	154	2002.....	116	2715.....	126	4301.....	152
315.....	161	411.....	153	2005.....	116	2716.....	126	5025.....	184
315.....	190	411.....	211	2006.....	116	2727.....	110	5041.....	184
315.....	226	412.....	152	2006STC.....	123	2746.....	107	5061.....	184
315SS.....	164	420.....	153	2006STC_.....	223	2746x6.....	101	5100.....	184
315SS.....	192	434.....	153	2007.....	117	2746x6_FG.....	112	5110.....	174
316.....	169	550A.....	246	2007STC.....	123	2746x292_FGPK.....	122	8451.....	289
316.....	188	550A.....	252	2007STC_.....	223	2748.....	101	8452.....	289
317.....	165	556/21.....	252	2008.....	123	2748.....	133	18041.....	169

800-824-3018 | [www.pemko.com](http://www.pemko.com)

Check the web site for the up-to-date catalog

Copyright © 2015-2022, ASSA ABLOY Accessories and Door Controls Group, Inc., an ASSA ABLOY Group company. All rights reserved.  
 Reproduction in whole or in part without the express written permission of ASSA ABLOY Accessories and Door Controls Group, Inc. is prohibited.

**PEMCO**  
**ASSA ABLOY**

Experience a safer  
 and more open world

Product	Index	Product	Index	Product	Index	Product	Index	Product	Index
18041	181	85514	288	EPD3	265	FM900	67	HF2/100	250
18041	185	90041	182	EPD3	271	FM3500	25	HF2/100PACK	250
18050	181	90062	163	ERS	96	FM_RG	89	HF2/100PACK	275
18061	163	90062	182	EV80	156	FM/SC325	46	HF3-25PK	308
18061	169	90100	163	EV232	124	FM_SF	90	HF4/100	250
18061	181	90100	182	EV232	212	FM_SLF	87	HG105	65
18061	185	90137	182	EV2320	124	FM_SLF138	90	HG305	37
18062	181	93518_W	286	EV2320	212	FM_SLI	87	HG306	38
18062W	184	94518	285	EV2322	124	FM_SLISF	90	HG310	40
18100	163	94518_W	286	EV2322	212	FS	93	HG311	41
18100	181	95518	285	EV2325	124	FS101	61	HG315	42
18100W	184	95518_W	286	EV2325	212	FS102	62	HG322	44
18137	163	293100	163	EV2326	124	FS201	56	HG323	45
18137	180	293100	181	EV2326	212	FS202	57	HG326	47
18175	180	ACP112	210	EXT2	289	FS301	33	HG329	49
18250	180	ACP112	225	EXT3	289	FS302	34	HG3505	28
18400	180	ADJ232V8	125	EXT3/4	289	FS321	43	HH3/290	238
19125	129	ADJ232V8	213	F134	228	FS402	70	HH3/301	242
19325	129	ADJ232V14	125	F134	234	FS902	68	HM	92
28945	194	ADJ232V14	213	F134	271	FS910	68	HM104	64
29045	195	ADJ232x2325V8	125	F134	275	FS3501	26	HM204	59
29310	170	ADJ232x2325V8	213	F160C	240	FS3502	27	HM304	36
29310	196	AM44	199	F160ECP	240	FS_BP	93	HS	92
29313	196	AM44	206	F200C	241	FS_CP	93	HS103	63
29324	170	AM88	199	F200ECP	241	FS/SC309	39	HS203	58
29324	181	AM88	206	FA68	72	G60 to G70	263	HS303	35
29324	185	B1921	71	FA70	72	GLASSGUIDE	263	HSS20XGxS773	200
29326	170	B1923	71	FA80	72	GS2-20PK	308	HSS1000	206
29326	181	BAR	254	FG3000S45	300	GS3-20PK	308	HSS2000	206
29326	185	BKT050	195	FG3000S45	301	GS4-20PK	308	HSS2000	305
29326	196	BKT075	195	FG3000S45	302	H180A	228	HSS2000xS44	206
29326	196	BKT1532	195	FG3000S45	303	H200	230	HSS2000xS88	205
29344	182	BRACKET2	254	FG3000S45	306	H200PACK	230	HS_SF	92
29346	182	CB1-50PK	308	FG3000S90	300	H200PACK	275	K28_-SWEP	231
29346	196	CR2-5PK	309	FG3000S90	304	H222R1	228	K134EP	229
29394	191	DSH	96	FG3000S90	305	H222R1	249	K134EP	235
29394	202	DSH1000	66	FIF2/275A	252	H222R1	273	K134EP	275
34831	177	E199	165	FIR349	175	H300S-OH	238	K411	155
45041	183	EG308	52	FM	87	H300S-SW	239	K412	155
45061	183	EGA305xG	156	FM100	60	H440A-OH	240	K420	155
45062	183	EGC308	53	FM200	55	H440A-SW	241	K435	155
45100	183	EGT308	54	FM300	30	H600S-OH	242	K435-PREM	155
45137	183	EL-CEPT	97	FM300WT	31	H600S-SW	243	K436	155
45175	183	EL-EPT	97	FM300WT	32	H800S-OH	244	K436SM	155
45250	183	EL-EPTL	97	FM327	48	H800S-SW	245	K1077_-SWEP	228
45400	183	EL-EPT-SC	97	FM338	50	H1100A-OH	246	K4133	155
74518	287	EPD3	228	FM344	51	H1100A-SW	247	K4301	155
75518	287	EPD3	234	FM400	69	HBP200A	217	K_FM	89
84514	288	EPD3	254	FM600	29	HBP200A	234	LH100	236



Experience a safer and more open world

Product	Index	Product	Index	Product	Index	Product	Index	Product	Index
LP200A	236	P491	296	R1.25OS	140	RAMP 13	143	SA4	154
MAG349	198	P493	296	R1.25OSMR	140	RAMP 14	143	SBR1F	146
N84518	288	P497	296	R1.25OSS	141	RR1	146	SBR1FMR	146
N85518	288	PDLAA	208	R1.25OSSMR	141	RR1.25FMR	147	SBR.5F	146
NL1634	201	PDLBRKT	208	R1.75F	139	RR2	146	SBR.5FMR	146
NL1678	201	PDL-D1	208	R1.75FMR	139	RR12_H	147	SDL	274
NL13516	201	PDL-D2	208	R1.75OS	140	RS138	94	SHS80	216
OAK349	175	PEMKOSFSET	202	R1.75OSMR	140	RS175	94	SHS80	229
OS95518	287	PEMKOSTCSET	222	R1.75OSS	141	RVAR1/A	143	SIM100	235
OS_FM	86	PF134 KIT	249	R1.75OSSMR	141	RVAR1/AK	143	SIM150	215
OS_HS	86	PF28200A	249	R1F	139	RVARIOSS	143	SIM150	271
P50	198	PFAS	249	R1FMR	139	S44	198	SIM150-BOLTKIT	271
P51B17	201	PFAS88	249	R1OS	140	S44	204	SIM150-LOCKKIT	271
P51B17	297	PFAS100	249	R1OSMR	140	S44	209	SIM200A	235
P240	296	PFBG-4	249	R1OSS	141	S44	226	SIRF/2500	237
P241	296	PFBG-4	275	R1OSSMR	141	S52	197	SIRLH/SIRRH	237
P241-30	296	PFBG-8	249	R2.25F	139	S77	199	SOFT CLOSE	276
P242	296	PFBG-8	275	R2.25FMR	139	S77	204	SPFM	88
P243	296	PFBS	249	R2F	139	S88	198	SPFM_SLF	88
P244	296	PFBS	275	R2FMR	139	S88	204	SPFM_SLI	88
P260	296	PFCDKIT	249	R2OS	140	S88	209	STC411	151
P261	296	PFFC-8	249	R2OSMR	140	S104	197	STC411	210
P262	296	PFHB-1	249	R2OSS	141	S105	197	STC411	225
P263	296	PFHB-2	249	R2OSSMR	141	S109	197	STC510	154
P264	296	PFHS	249	R.5F	139	S442	199	STC4131	151
P265	296	PFKIT-4	249	R.5FMR	139	S442	204	STC4131	210
P266	296	PFKIT-8	249	R.5OS	140	S442	209	STC4131	225
P361V16	297	PIF2/165A	251	R.5OSMR	140	S442	226	STOP1	257
P364R16	297	PIF4/165A	251	R.5OSS	141	S771	172	STOP1	264
P365V16	297	PK33	199	R.5OSSMR	141	S771	205	STOP1	275
P380	297	PK33	205	R.75F	139	S771	209	STOP2	254
P381	297	PK52	198	R.75FMR	139	S771x6	172	STOP2	256
P382	297	PK55	199	R.75OS	140	S771x6	199	STOP2	262
P384	297	PK55	205	R.75OSMR	140	S771x6	205	W60	214
P385	296	PY900	191	R.75OSS	141	S771x6	209	W60 to W100	254
P386	296	Q102	197	R.75OSSMR	141	S772	172	WING 10_H	144
P387	297	Q103	197	RAMP 1	142	S772	205	WING 16_H	144
P388	297	Q106	197	RAMP 2	143	S772	209	WING EXT_H	144
P390	296	Q107	197	RAMP 3	142	S773	198	WT_FM	91
P391	296	Q108	177	RAMP 4	142	S773	204	WT_HS	91
P392	296	Q108	197	RAMP 5	142	S773	209	X25M	85
P393	296	R1.5F	139	RAMP 6	142	S773	226	XF	85
P394	296	R1.5FMR	139	RAMP 7	143	S776	199	XG90KIT	200
P396	296	R1.5OS	140	RAMP 8	142	S776	204	XG900	200
P397	296	R1.5OSMR	140	RAMP 8	143	S776	209	XG2212	156
P398	296	R1.5OSS	141	RAMP 9	142	S1125	174	XI	85
P480	297	R1.5OSSMR	141	RAMP 10	142	SA1	154	XK	85
P484	297	R1.25F	139	RAMP 10	142	SA2	154	XM	85
P490	296	R1.25FMR	139	RAMP 11	142	SA3	154		
				RAMP 12	142				

## ABOUT THE PEMKO PRODUCT LINE

Since 1952, the Pemko name has been known as a key manufacturer in weatherstripping products. Over the years, as an ASSA ABLOY Group brand, we have expanded our product line into a full line of architectural door trim products to include thresholds, fire/smoke gaskets, door bottoms, perimeter gasketing, brush seals, astragals, continuous geared and stainless steel hinges, fire and life-safety products, lites and louvers, and sliding door hardware.

The Pemko product line offers offers sound-tested, smoke-labeled, fire-labeled, skid resistant, and ADA-compliant products, and aggressively pursues new product development to create solutions for new applications and requirements.

### Applications

- **Energy Efficiency:** These products make a complete energy efficient door solution – door bottoms, astragals, meeting stiles, brush gasketing, perimeter gasketing, and thermal barrier thresholds.
- **Smoke and Fire Gasketing:** Hot Smoke Seal™ is an intumescent fire life-safety product that meets UBC7-2 (proposed UL10C) positive pressure testing. Pemko S88 and S773 silicone seals are also smoke and fire rated gaskets that meet UBC7-2 positive pressure testing and are Category G gaskets for edge sealing systems for use with Category B doors.
- **Pemko Acoustic Solutions:** As a result of extensive acoustic testing, our gasketing systems are used on openings with STC Ratings from the low-30's and into the mid-50's. Acoustic seal sets have been assembled to better assist with determining an operable rating when a door's sealed-in-place rating is known. See pages 222 to 224 for more info.
- **Electrically Modified Pemko Hinges:** Continuous geared hinges are designed for commercial doors of all traffic levels and offer many benefits for your opening. All of our commercial-grade continuous geared hinges have the added option for electrical modification. Some of these options allow for electrical modifications to be made without removing the door from the opening.
- **ADA-compliant aluminum and rubber ramps** provide wheelchair access in public access doorways.
- **Sustainability:** Products are certified to GREENGUARD GOLD standards for low chemical emissions into indoor air during product usage.

All products in the Pemko line undergo rigorous testing to ensure that they meet or exceed the industry standards. Look for the logos next to the product drawings and see pages 12-13 for more information.



### LEED Certification Contribution

ASSA ABLOY can help to achieve prerequisites and accumulate points in several categories and credit areas for LEED. For further information, please call 1-800-824-3018 or refer to our website to view our prepared LEED statement.



*U.S. Green Building Council logo is a trademark owned by the U.S. Green Building Council and is used with permission.*

*ASSA ABLOY is a member of the USGBC and CaGBC*

### Sales & Support

Customer Service Representatives are available from 7am to 7pm Central time at 1-800-824-3018 or visit the website for the current catalogs, sell sheets, and the most up-to-date templates.

There are many items on the Pemko Quick Ship Program that ship within 48 hours. For the most up-to-date information, visit the Accessories WebShop at <https://accessories.assaabloy.com/en/accessories>. Customers with established Pemko accounts may request an account in WebShop through Pemko's Customer Service Representatives.

### Need a Sales Rep?

Pemko is largely represented by the ASSA ABLOY Door Security Solutions team (except N CA, N NV) Contact your local ASSA ABLOY Door Security Solution Representative via e-mail by going to [www.assaabloydss.com](http://www.assaabloydss.com) and clicking on "Sales Support" or call 1-800-DSS-EZ4U (800-377-3948).

For representation information in Northern California or Northern Nevada, please visit [www.assaabloydooraccessories.us](http://www.assaabloydooraccessories.us) to locate and view the sales contact for your area or call Pemko Customer Service at 1-800-824-3018.

**Website:** [www.assaabloydooraccessories.us](http://www.assaabloydooraccessories.us)

**Facebook:** [www.facebook.com/ASSAABLOYARCHIT/](http://www.facebook.com/ASSAABLOYARCHIT/)

**Twitter:** @ASSAABLOYARCHIT

ASSA ABLOY has manufacturing and warehouse locations for the Pemko line in Memphis TN and Ventura CA as well as a warehouse location in Toronto ON.

**PEMKO**  
**ASSA ABLOY**

Experience a safer  
and more open world

800-824-3018 | [www.pemko.com](http://www.pemko.com)  
Check the web site for the up-to-date catalog

Copyright © 2015-2022, ASSA ABLOY Accessories and Door Controls Group, Inc., an ASSA ABLOY Group company. All rights reserved. Reproduction in whole or in part without the express written permission of ASSA ABLOY Accessories and Door Controls Group, Inc. is prohibited.

## GENERAL INFORMATION AND TERMS

### Terms:

All prices are F.O.B. factory. To customers with satisfactory and / or prior approved credit and account status, terms of 1% 15 days, NET 30 days will be allowed. To open a new account, please contact your local Door Security Solutions Sales agency. Acceptance of orders and deliveries are subject to our approval.

### Credit Card Capabilities:

Visa, Mastercard, Discover, and American Express are accepted (only for established open accounts). Payment terms are NET.

### Freight Terms:

All orders are F.O.B. factory.

For NET orders of \$1750.00 or more, freight will be prepaid in the continental U.S. for shipment the most economical way. via the most economical routing. Purchaser assumes the risk of loss or damage in transit. For shipments to Hawaii or Alaska on NET orders of \$2500.00 or more, freight will be prepaid the most economical way. All shipments that exceed 96" in packaged length must be shipped LTL. Add 4" to the length of the product for finish package length. Minimum freight on these orders is \$140.00.

### Oversized/Special Packaging:

\$100.00 NET. This will be added to any order not meeting prepaid freight where the product is a) over 10 feet in length, b) a welded threshold assembly, or c) as deemed appropriate to ensure product safety while in transit.

### Minimum Order Level:

A surcharge of \$15.00 all will be added to NET orders less than \$100.00 NET.

### Returns And Allowances:

No merchandise will be accepted for return or credit unless prior written approval is obtained. Returned merchandise must be of recent sale (6 months), in restockable / resalable quality, size, and condition. A minimum 25% charge plus freight charges will be made for returns. Material that is not in standard stock sizes, is made to special order, has a custom finish, or has been sold at special consideration or closeout is subject to additional charges. Foam tape is not returnable. Adhesive gasket may only be returned within six (6) months from the ship date.

Contact Customer Service for rules and Return Goods Authorization paperwork.

### Cancellation Charges:

Cancellation of special order material, non-stock sizes, or special sizes are subject to cancellation charges, based on factory expense and material used.

### Guarantee:

Our products are guaranteed for (5) years against defects in material or workmanship, except: 1) PemKote abrasive surface for thresholds is guaranteed for ten (10) years. 2) Polyurethane foam tapes are guaranteed for 90 days. 3) Grade 1 PemkoHinges are guaranteed for the life of the opening against defects in material or workmanship. All other grades of PemkoHinge carry a ten (10) year warranty. 4) Electrical modification performance is guaranteed for five (5) years on Heavy Duty Grade 1 (HDI) and 1100 Series hinges. Electrical modification performance is guaranteed for one (1) year on Standard Duty and Heavy Duty Grade 3 (HD3) hinges. 5) PC Henderson products are guaranteed for two (2) years against defects in material workmanship. 6) Powder Coated finishes are warranted for two (2) years; normal wear is not included in coverage.

Markar Continuous Hinges and Pivots are guaranteed to be free from defects in materials and workmanship for a period of 10 years. Hinges with medical bearings are guaranteed for twenty-five (25) years. Markar Edge Guards and Astragals are guaranteed to be free from defects in materials and workmanship for a period of (1) year. Markar electrical modification performance is guaranteed for five (5) years.

ASSA ABLOY will not be liable for defects or damages arising from improper installation, product modification, incorrect application or storage of product. Written notice of damages must occur within the warranty period. Liability shall be limited to the replacement of product or component determined to be defective and shall not include costs arising from removal or reinstallation of product. Cost of replacement shall not exceed original purchase price. No other claims will be allowed. In no event shall liability be extended to include punitive, incidental or consequential damages arising from use of ASSA ABLOY products. This is the sole warranty given by ASSA ABLOY. No other warranty implied or expressed shall be allowed.

### Claims For Shortage Or Damage In Transit:

All claims must be made within ten (10) days of receipt of goods. Purchaser assumes the risk of loss or damage in transit.

### Mill Lengths:

Most extrusions are available in mill lengths. Cut lengths over 12 feet are charged as mill lengths.

## GENERAL INFORMATION AND TERMS

### Ordering Information:

Please order material by product number, specifying length required per piece and the number of pieces. Most weatherstrips are stocked in standard sizes. If it is not practical to furnish the size ordered, the next larger size will be furnished and charged. Thresholds are maintained in standard sizes with 1/2" extra length on thresholds thru 47" and 1" extra length for thresholds 48" and longer to allow for fitting and field trim, unless exact net cut size is specified. Cut lengths under 24" will be charged as 24".

Thresholds, perimeter gaskets, astragals, and door bottoms are punched or drilled as standard, unless otherwise specified in this catalog. Material can be supplied without holes by stating "No Holes" on the applicable purchase order line.

Thresholds are punched with 12" centers. Thresholds over 8" in width will be punched with a double row. Thresholds are generally supplied with #10 flat head screws. Other fasteners are available on request.

Metal retainers for perimeter gaskets, door bottoms, and astragals are punched with 8" centers.

### Non-Stock Finish Information:

Some items shown in this catalog are not stocked in certain finishes (i.e. BDG, G, PW, and SN). 'Batch charges' may be required on non-stock finishes to achieve our normally fast lead times. Contact Customer Service for a quotation and lead time.

### Option Tables:

The option tables are provided for selection of other than standard or normal finishes, components, fabrication, or fasteners. Since these are other than standard or normal, please allow for extra lead time for option(s) selected.

### Cutting Tolerances:

Elastometric: -0 + 2" (50.8mm)

Thresholds (up to 48"): + 1/2" (12.7mm)

Thresholds (48" and up): +1" (25.4mm)

Net Cut: +/- 0.060, 1/16" (1.5mm)

Hinges: +/- 0.032, 1/32" (0.8mm)

Automatic Door Bottoms: +/- 0.060, 1/16" (1.5mm)

*Orders are subject to acceptance by ASSA ABLOY. All prices and terms are subject to change without notice.*

### How to Order (Product Number Designations):

When placing your order, please specify the product profile number, finish, insert and size/length. Also make sure to clearly state any special fabrication needs, optional fasteners or custom finishes/sizes required.

Throughout the catalog, products are listed with an underscore ( \_ ) where variable finishes are available. More in-depth ordering information for specific lines is available in the individual product sections of the catalog.

#### Standard Products:

Example: 2005 A T 36 (Shown as 2005\_T in catalog)

Profile#:	Finish:	Insert:	Size/Length:
2005	A	T = ThermoSeal™	36 = 36"
216	SN	PK = PemkoPrene®	48 = 48"
297	BDG	V = Eco-V™	3684 = 1 piece @ 36" + 2 pieces @ 84"
303	A	S=Silicone	84/2 = 2 pieces @ 84"

#### Adhesive Gasketing Products:

Example: S773 D 21 (Shown as S773\_ in catalog)

Profile#:	Finish:	Size/Length:
S773	D	21 = 21' coil
PK55	BL	510 = 510' (bulk packaging)
S88	W	17 = 17' coil

For PemkoHinge® and Modular Ramps, see detailed ordering information in their individual catalog sections.



Experience a safer  
and more open world

800-824-3018 | www.pemko.com  
Check the web site for the up-to-date catalog

Copyright © 2015-2022, ASSA ABLOY Accessories and Door Controls Group, Inc., an ASSA ABLOY Group company. All rights reserved. Reproduction in whole or in part without the express written permission of ASSA ABLOY Accessories and Door Controls Group, Inc. is prohibited.



## MATERIALS AND FINISHES INFORMATION

### Metals:

Extruded metal products are made from 6063 aluminum alloy or CDA alloy C38500 architectural bronze (brass). Roll-formed metal products are made from stainless steel, high-strength special-purpose zinc alloy, 70-30 yellow brass, or 85-15 red brass. Roll-formed aluminum weatherstripping is produced from various alloys selected for the particular properties required. See finishes information below for all finish designations. If you do not see the option you require, please inquire with our Customer Service Department about the feasibility of a custom finish.

### Finish Designations:

<b>A</b> - Mill Finish Aluminum	<b>G</b> - Gold Anodized Aluminum
<b>AK</b> - Mill Finish Aluminum w/PemKote®	<b>PW</b> - Painted White Aluminum
<b>B</b> - Mill Finish Extruded Bronze (Brass)	<b>S</b> - Cladded Stainless Steel
<b>BK</b> - Mill Finish Extruded Bronze (Brass) with PemKote®	<b>SN</b> - Satin Nickel Anodized Aluminum
<b>BDG</b> - Bright Dip Gold Anodized Aluminum	<b>SP</b> - Galvannealed Steel
<b>BSP</b> - Black Suede Powder Coat	<b>SS</b> - Stainless Steel (see individual part for finish)
<b>C</b> - Clear Anodized Aluminum	<b>WSP</b> - White Suede Powder Coat
<b>D</b> - Dark Bronze Anodized Aluminum	<b>Z</b> - Steel Metal
	<b>10BE</b> - Satin Bronze Powder Coat

### Special Order Finishes:

Painted Aluminum (any color)  
Polished Aluminum, Uncoated  
Polished Bronze, Uncoated

Powder Coating  
Satin Brushed Aluminum, Uncoated  
Satin Brushed Bronze, Uncoated  
Oxidized and Oil Rubbed Bronze

### Finish Options:

PemKote®  
Anodized (*clear, dark bronze, black*)  
Chrome Plate  
Prime Coat  
Pewter Finish for Aluminum  
Polish/Buf Brass  
Polish/Buf Aluminum  
Satin Buff Brushed Brass  
Oxidized & Oil Rubbed L-metal (ANSI/BHMA 722)  
Oxidized & Oil Rubbed L-metal (custom finish, 609, 613)  
Oxidized & Oil Rubbed Thresholds (ANSI/BHMA 722)  
Oxidized & Oil Rubbed Thresholds (custom finish, 609, 613)  
Oxidized & Oil Rubbed Weatherstrip (ANSI/BHMA 722)  
Oxidized & Oil Rubbed Weatherstrip (custom finish, 609, 613)

### Adhesive Gasketing And Replacement Eco-V™ Finishes:

BL - Black  
C - Clear  
D - Dark Brown  
GR - Light Gray  
TAN - Tan  
W - White

### Inserts:

Pemko Manufacturing Co. manufactures many products with gasket inserts (seals). See insert information below for all insert (seal) designations. Also, the available inserts (seals) for each individual product are shown adjacent to each individual product.

<b>E</b> - EPDM, Solid	<b>PK</b> - PemkoPrene®*	<b>SB</b> - Soft Brush
<b>M</b> - Magnetic	<b>Q</b> - Kerf-in Foam	<b>T</b> - ThermoSeal
<b>N</b> - Neoprene or EPDM	<b>R</b> - Sponge Neoprene or EPDM	<b>TF</b> - Triple Foam
<b>NB</b> - Nylon Brush	<b>S</b> - SiliconSeal or Sponge Silicone (see individual part)	<b>V</b> - Eco-V®
<b>P</b> - Pile		

\*PK: In order to best control our customers' costs some PK (Santoprene™) products may be a silicon based elastomeric material with comparable performance.

**Fabrication Options:**

Pemko Manufacturing Co. offers many fabrication options for our products to fit specific job requirements. Please consult our Customer Service Department for details. Custom fabrications are subject to engineering design costs and are quoted on a time and material basis.

Bevel	One Edge	Miter2-1	Double, One End of Threshold
Cut	Thresho-Sill Nosing Flush	Miter2-2	Double, Both Ends of Threshold
Leadline	Leadline of Astragals, Door Bottoms	Half Notch	1/2", Door Shoe, Both Ends, Drip Only
Rip	Width	Half Notch	3/4", Door Shoe, Drip Only, Both Ends
Tack Weld	One Line	Half Notch	5/8", Door Shoe, Drip Only, Both Ends
Tab	Welded Tab & Screw	Half Notch	9/16", Door Shoe, Drip Only, Both Ends
Support Leg	For Elevated Plates 3" Center to Center	Full Notch	1/2", Door Shoe, Both Ends
L-Notch	Both Ends of Threshold	Weep Holes	All Door Shoes
U-Notch	Both Ends of Threshold	Custom Holes	Custom Hole Pattern
Drill	Thresho-Sill (Add "H" to Prod. #)		
Mill & Drill	Thresho-Sill (Add "M" to Prod. #)		
Miter1-1	Single, One End of Threshold		
Miter1-2	Single, Both Ends of Threshold		

*Fabrication Options Important Note: Complicated fabrications are quoted based on time and materials.*

**Drawings:**

Product drawings throughout the catalog may be a reduced representation/not drawn to scale. They are representations of the product size, dimensions, shape, etc. For scale drawings in PDF or AutoCAD (DWG or DXF) format, please visit our website: [www.pemko.com](http://www.pemko.com)

**PRODUCT TESTING/CLASSIFICATION SYMBOLS**

These symbols are shown adjacent to products throughout the catalog so that one can readily identify and select products which meet specification and/or code requirements.



**GREENGUARD GOLD Certification:**

Tested To: UL2818

GREENGUARD GOLD Certified products are certified to GREENGUARD GOLD standards for low chemical emissions into indoor air during product usage. For more information, visit [ul.com/gg](http://ul.com/gg) or [spot.ul.com](http://spot.ul.com) for Pemko's GreenGuard listing.



**Air Infiltration Tested**

Tested To: ASTM E-283-04 (2012)

Products indicated by this symbol have been air infiltration tested in accordance with the requirements of ASTM E-283 Rate of Air Leakage Through Exterior Windows, Curtain Walls, and Doors.



**Sound Tested**

Tested To: ASTM E 90-2009

Products indicated by this symbol have been acoustically tested in accordance with ASTM E 90-2009. Method for Laboratory Measurement of Airborne Sound Transmission Loss of Building Partitions Tests were conducted by accredited laboratories for acoustic testing. Contact you Door Security Solutions Sales rep or Pemko Custom Service for recommended PEMKOSTCSET kits.



**Barrier-Free**

Meets Requirements of: ADAAG-2010 (Amended) and ICC / ANSI A117.1-2017

Products indicated by this symbol are access compliant by having installed height differences not over 1/2" with allowable edge and slope conditions. All ramp products (found in the Modular Ramp section) have ADA compliant 1:12 slopes: Pemko Modular Ramp Thresholds, Rubber Ramp Thresholds and Recycled Rubber Ramps. Contact Pemko Manufacturing or refer to page 14 for recommended Barrier-Free Systems.



Experience a safer and more open world

800-824-3018 | [www.pemko.com](http://www.pemko.com)  
Check the web site for the up-to-date catalog

Copyright © 2015-2022, ASSA ABLOY Accessories and Door Controls Group, Inc., an ASSA ABLOY Group company. All rights reserved. Reproduction in whole or in part without the express written permission of ASSA ABLOY Accessories and Door Controls Group, Inc. is prohibited.

**Non-Skid/PemKote™**

Meets Requirements of: ASTM D 2047, UL 410 & Federal Specifications P-F-430C

PemKote™ is a rugged abrasive finish of nickel-aluminum composite which is fused to the metal surface by an exothermic reaction. This process produces an aesthetically pleasing skid resistant coating with extremely high bond strength and excellent resistance to oxidation. PemKote™ carries a TEN (10) YEAR GUARANTEE, and is available on all Pemko line metal thresholds and metal modular ramps. ASSA ABLOY highly recommends the use of PemKote™ for all Barrier-Free Modular Ramps and as a durable, economical alternative for cast abrasive products.

**Smoke Tested**

Tested To: UL 1784

Meets Requirements of: NFPA 105-2013

Products indicated by this symbol are Listed by WYLE Laboratories as having been tested in accordance with Underwriters Laboratories Inc.®, Standard UL 1784 Air Leakage Tests of Door Assemblies, and meet the performance criteria for allowable air leakage as specified in NFPA 105-2013 Installation of Smoke Control Door Assemblies.

**Fire Rated**

Products indicated by this symbol are fire rated, classified and listed (U.S.A. and Canada) to meet the requirements/standards of UL10B, UL10C, and UL10C (Edge Sealing). For a complete listing of fire rated and UL rated products, please refer to the UL website.

**PemkoHinge® Rating:**

All models designated with these symbols are tested and certified by Underwriters Laboratories Inc.® (U.S.A. and Canada) to standards UL10B and UL10C for up to a 3-Hour Fire Listing for all 4'-0" x 10'-0" and 8'-0" x 10'-0" door and frame assemblies. Fire listing certifications apply to all approved hollow metal and wood door assemblies in drywall or masonry wall construction. Check UL Rating #R14745 on the UL website for a complete and current listing of applicable PemkoHinge® products.

**Builders Hardware Manufacturers Association:**

Products indicated by this symbol have been voluntarily submitted to rigid third party testing and follow-up audits to confirm that they fully and continuously meet or exceed the requirements of their underlying ANSI / BHMA Standards. These products are listed in the BHMA Certified Products Directory, which is, published annually, and is available for purchase from BHMA. They are also posted and frequently updated on the BHMA website at [www.buildershardware.com](http://www.buildershardware.com). ASSA ABLOY products are covered by the following: ANSI / BHMA A156.21-2019 Standard for Thresholds, ANSI / BHMA A156.22-2017 Standard for Door Gasketing Systems, and ANSI / BHMA A156.26-2017 Standard for Continuous Hinges.



UL1S47 - Check UL File #R18375 on the UL website for a complete and current listing of applicable Pemko line edge sealing and fire glazing products (not specifically listed by item in this product catalog).



UL4L10 - Check UL File #R14369 on the UL website for a complete and current listing of applicable Pemko line products (not specifically listed by item in this product catalog).




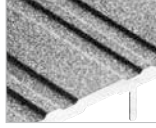








Check Pemko's Category G, Category H and Category J listings on ITS website [www.intertek.com](http://www.intertek.com) for a complete and current listing of applicable Pemko line edge sealing, perimeter gasketing and fire glazing products.

## BARRIER-FREE SYSTEMS



The ASSA ABLOY Pemko line includes many products such as modular ramps, thresholds and floor treads, that help you meet the requirements of the Americans with Disabilities Act (ADA) as outlined in the Americans with Disabilities Act Accessibility Guidelines (ADAAG-2010 amended); ICC /ANSI A117.1-2017 Standard Accessible and Usable Buildings and Facilities; any of the various Uniform Building Codes; or state access codes (e.g. California Building Code, Title 24).

The following table shows which products comply with the ADAAG and ICC /ANSI standard and also notes their respective sections.

ICC / ANSI A117.1 (ADAAG)	Pemko Recommendation
302 (4.5) Floor or Ground Surfaces. 302.1 (4.5.1) General. "shall be slip resistant"  <i>Skid resistant.</i>	"Slip resistant" PemKote™, non-skid surface <ul style="list-style-type: none"> <li>PemKote™ (finish code: "K") is a rugged abrasive finish of nickel-aluminum composite</li> <li>PemKote™ provides safety in environments used by youths and people with disabilities</li> <li>For more information, see the Modular Ramps section</li> </ul>  <i>PemKote™: skid resistant surface.</i>
302.2 (4.5.3) Carpet. "Exposed edges of carpet...shall have trim along the entire length of the exposed edge. Trim shall comply with Section 303"	 Note: See Commercial Thresholds section (page 136) for more options.
303 (4.5) Changes in Level 303.2 (4.5.2) Vertical. "Changes in level of 1/4" (6mm) high maximum shall be permitted to be vertical"	 Note: See Commercial Thresholds section (pages 134-135) for more options.
303.3 (4.5.2) Beveled. Changes in level greater than 1/4 inch (6.4 mm) in height and not more than 1/2 inch (13 mm) maximum in height shall be beveled with a slope not steeper than 1:2."	 Note: See Commercial Thresholds section (pages 106-129) for more options.
303.4 (4.5.2) Ramped. "Changes in level greater than 1/2" (13mm) shall be by a ramp complying with Section 405 (4.8)"	<ul style="list-style-type: none"> <li>Assemblies accommodate 1/2" to 2 1/4" floor offsets in meeting the 1:12 slope requirements of the "Americans with Disabilities Act"</li> <li>Rubber ramp component assemblies meet the same requirements.</li> <li>Answer the needs of architects, specifiers, building owners, installers, and physically challenged people</li> <li>For use in schools, hospitals, stadiums, offices, restaurants, hotels, airports, and more</li> <li>For complete information, see the Modular Ramps section</li> </ul>
404 (4.13) Doors, Doorways and Gates. 404.2.4 (4.13.8) Thresholds. "...shall be 1/2" high maximum...shall comply with Sections 302 and 303"	 Note: See Commercial Thresholds section (pages 106-129) for more options.
404.2.8 Door and Gate Opening Force - 5lbs. maximum	
405 (4.8) Ramps 405.2 (4.8.2) Slope. "Ramp runs shall have a running slope... not steeper than 1:12" (Note: Some exceptions apply to this with respect to existing buildings having space limitations. Consult Pemko for specific applications.)	 Note: See Modular Ramp section (pages 142-146) for more options.
504 (4.9) Stairways 504.4 Tread Surface 504.5 (4.9.3) Nosings	  Note: See Floor Treads section (pages 132-133) and Floor Molding, Trim section (page 284) for more options.



Experience a safer and more open world

800-824-3018 | www.pemko.com  
 Check the web site for the up-to-date catalog

Copyright © 2015-2022, ASSA ABLOY Accessories and Door Controls Group, Inc., an ASSA ABLOY Group company. All rights reserved. Reproduction in whole or in part without the express written permission of ASSA ABLOY Accessories and Door Controls Group, Inc. is prohibited.

The following interprets ANSI/BHMA numbers which identify material and type of products. For products that meet ANSI/BHMA Standards, look for the BHMA certified logo next to the product in our catalog. For a complete listing refer to the BHMA Certified Products Directory on line at [www.buildershardware.com](http://www.buildershardware.com).

American National Standard for Thresholds ANSI/BHMA A156.21 (2019)

1 Product Section "J" Designates Architectural Door Trim, Thresholds				
2 Material	3 Configuration	4 Surface	5 Description	6 Description
1. Architectural Extruded Brass or Bronze 3. Aluminum 5. Stainless Steel 7. Rubber & similar nonmetallic 0. Other (ie: cast iron, safety abrasive, etc.)	1. Compressing top 2. Flat Saddle 3. Half Saddle 4. Interlocking 5. Rabbeted, Latching/Panic with Gasket 7. Plate 8. Ramped 9. Saddle for Floor Closer 0. None designated	1. Fluted 2. Fluted with abrasive 3. Smooth 4. Smooth with abrasive	1. Applied Stop 2. Applied Stop with gasket 3. Barrier Free 4. Carpet Separator 5. Ends Mitered 6. Expansion Assembly 7. Hook Strip Applied to door 8. Offset 9. Thermal Break 0. None Designated	1. Applied Stop 2. Applied Stop with gasket 3. Carpet Separator 5. Ends Mitered 6. Expansion Assembly 7. Hook Strip applied to door 8. Offset 9. Thermal Break 0. None Designated

**Suffix "-HD" designates thresholds meeting Heavy Duty requirements**

American National Standard for Door Gasketing and Edge Seal Systems ANSI/BHMA A156.22 (2017)

1 Product Section "R" Designated Gasketing					
2 Product Material	3 Gasketing Material		4 Product Type	5 Material Application	6 Gasketing Rating
1. Brass or Bronze 3. Aluminum 5. Stainless Steel 0. Optional material or none used	A. Brush B. Neoprene, solid C. Neoprene, closed cell D. Vinyl/Eco-V™ E. Silicone Rubber F. Pile G. Thermoplastic Elastomer (TPE) H. Thermoplastic Urethane (TPU) J. Thermoplastic Rubber K. Spring Metal L. Magnetic M. Felt N. Rubber Fabric P. Intumescent Q. Intumescent/Brush	R. Intumescent/Neoprene, Solid S. Intumescent/Neoprene Closed Cell T. Intumescent/Vinyl U. Intumescent/Silicone Rubber V. Intumescent/Pile W. Intumescent/Thermoplastic (TPE) X. Intumescent/Thermoplastic Urethane (TPU) Y. Optional material or none used Z. Intumescent/Thermoplastic Rubber	1. Head and Jamb 2. Head and Jamb, Adjustable 3. Automatic Door Bottom 4. Door Sweep or Shoe 5. Door Sweep or Shoe with Drip Cap 6. Astragal Overlapping 7. Astragal Split or Compensating 8. Astragal Adjustable 9. Rain Drip without gasket 0. Other	1. Door Edge 2. Door Edge, Mortise 3. Door Face 4. Door Face, Semi-Mortise 5. Frame Rabbet (surface or mortise) 6. Frame Soffit (H.M.) 7. Frame Face 8. Kerf 9. Stop (H.M.), Stop Face (W.D.) 0. Other	0. Smoke/Energy Performance/Acoustic Rated 1. Smoke/Energy Performance Rated 2. Smoke/Acoustic Rated 3. Energy Performance/Acoustic Rated 4. Smoke Rated 5. Energy Performance Rated 6. Items not Rated 7. Acoustic Rated

American National Standard for Continuous Hinges ANSI/BHMA A156.26 (2017)

First letter denotes BHMA Product Section (A)					
First Numeral-Product Material	Second Numeral-Type of Product	Third Numeral-Electrical Modifications	Fourth Numeral-Door Weight (lbs)	Fifth Numeral-Grade Classification	Second Letter-Hinge Type
1. Brass, Bronze 3. Aluminum 5. Stainless Steel 8. Steel	1. Edge Mounted Hinges 2. Half Edge Mounted Hinges 3. Full Surface Hinges 4. Half Surface Hinges 5. Swing Clear 6. Raised Barrel 7. Wide Throw 0. Other	0. None 1. Concealed Wire Transfer 2. Monitor 3. Power Transfer 4. Other	1. 150 2. 300 3. 600 4. 1200	1. Grade 1 2. Grade 2 3. Grade 3	B. Barrel G. Geared





# MARKAR CONTINUOUS PIN AND BARREL HINGES

## CONTENTS:

General Information.....	18
Hinge Finishes .....	20
Hinge Numbering System and Standard Lengths .....	21
Continuous Hinge Modifications .....	22
3500 Series Stainless Steel Pin and Barrel Security Hinges .....	25
600 Series Stainless Steel Pin and Barrel Hinges .....	29
300 Series Stainless Steel Pin and Barrel Hinges .....	30
300 Series Stainless Steel Edge Guards.....	52
200 Series Carbon Steel Pin and Barrel Hinges.....	55
100 Series Aluminum Pin and Barrel Continuous Hinges .....	60
1000 Series Aluminum Double Swing Hinge.....	66
900 Series Toilet Partition Hinges .....	67
400 Series Toilet Partition Hinges .....	69
Pivots.....	71
Flat Astragals.....	72
Fasteners and Fastener Packs.....	73
Tools, Parts, and Accessories.....	78
Custom Lengths.....	79

## INDEX:

<u>PRODUCT</u>	<u>PAGE</u>	<u>PRODUCT</u>	<u>PAGE</u>	<u>PRODUCT</u>	<u>PAGE</u>
B1921.....	71	FM600.....	29	HG305.....	37
B1923.....	71	FM900.....	67	HG306.....	38
DSH1000.....	66	FM3500.....	25	HG310.....	40
EG308.....	52	FM/SC325.....	46	HG311.....	41
EGC308.....	53	FS101.....	61	HG315.....	42
EGT308.....	54	FS102.....	62	HG322.....	44
FA68.....	72	FS201.....	56	HG323.....	45
FA70.....	72	FS202.....	57	HG326.....	47
FA80.....	72	FS301.....	33	HG329.....	49
FM100.....	60	FS302.....	34	HG3505.....	28
FM200.....	55	FS321.....	43	HM104.....	64
FM300.....	30	FS402.....	70	HM204.....	59
FM300WT.....	31	FS902.....	68	HM304.....	36
FM300WT.....	32	FS910.....	68	HS103.....	63
FM327.....	48	FS3501.....	26	HS203.....	58
FM338.....	50	FS3502.....	27	HS303.....	35
FM344.....	51	FS/SC309.....	39		
FM400.....	69	HG105.....	65		

NOTE: Products shown in this section may not be drawn to scale



## MARKAR CONTINUOUS PIN AND BARREL HINGES

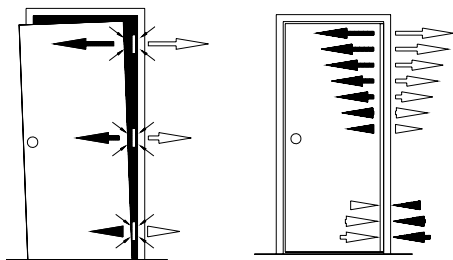
Markar has been a leader in innovative products for the hardware industry since 1969. In 1983, Markar was the first manufacturer to produce an architectural grade, adjustable continuous pin and barrel hinge line, and that innovation continues today with quality continuous hinges and edge guards. Markar leads the industry in development of fire rated continuous hinges with their flagship 300 Series Stainless Steel, 3500 Series institutional grade, and 200 Series cold rolled steel hinges. Building on customer feedback, Markar has developed over 75 standard continuous hinge models providing products for a wide variety of applications and challenges.

### Custom Designs

Whether the need is for a custom color to match a specific palette, hospital tips for patient rooms, hardware cutouts, wide throw models, custom hole patterns, security fasteners, current transfers, monitoring switches, or medical bearings, Markar hinge modifications will enhance the fit and function of an opening. Markar hinges are available in a wide range of finishes including powder coat, anodized (for aluminum), and architectural finishes.

### Medical Bearings are Standard

Medical Bearings are standard for all Pin and Barrel hinges. You benefit from this standard offering with permanently lubricated hinges with no metal to metal contact, improving the life and overall function of the hinge.



**Most door and frame stress is put on the top of conventional hinge systems.**

**A continuous hinge spreads the stress along the full length of the door and frame.**

## WHY CONTINUOUS HINGES?

Did you know that on a door with traditional butt hinges, 70% of the door weight is on the top hinge? The top hinge also bears the brunt of abuse when doors are opened beyond the stop device, resulting in kickback shock and eventual failure of the hinge and damage to the frame. This is why continuous hinges are recommended for heavy doors and for situations where doors are exposed to misuse.

Continuous hinges reduce the factors leading to hinge failure by distributing weight evenly so wear and tear to the frame and door is reduced significantly.

In addition, continuous hinges:

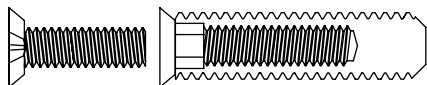
- Increase security and reduce vandalism by preventing insertion of devices between the door and frame
- Ease installation by providing simple alignment of electrical transfers and of monitoring switches
- Reduces air infiltration by creating a complete seal from top to bottom of the door at the hinge jamb

Markar manufactures pin and barrel hinges as well as spring loaded toilet partition pin and barrel models. There are over 75 different models to choose from offering a variety of configurations, options, and materials.

## Optional Features

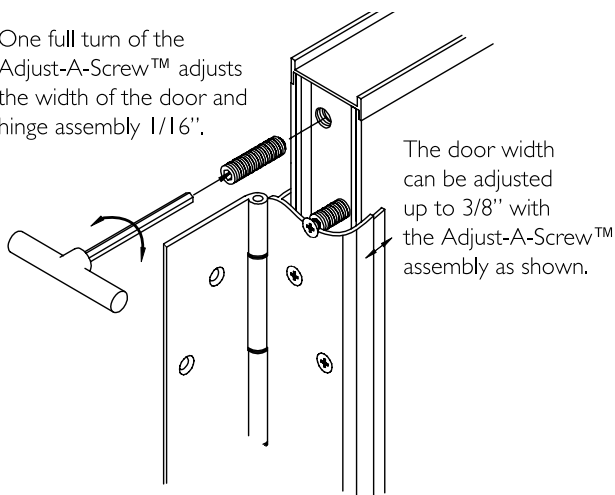
### The Unique Adjust-A-Screw™ Fastener

An optional Markar fastener available on Hinge Guard models permits up to 3/8" width adjustment. Full door length adjustment means doors can be squared accurately and easily in new installations and existing frames can be used in retrofits. Maintenance staff can make future adjustments of the door by re-positioning the Adjust-A-Screw™ Fasteners.



### Adjust-A-Screw™ Assembly

One full turn of the Adjust-A-Screw™ adjusts the width of the door and hinge assembly 1/16".

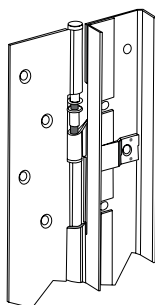


*Recommended 14 gauge reinforcements on frame and door. If using an adjustable Hinge Guard with Adjust-A-Screw, use 14 gauge reinforcements on frame and 12 gauge reinforcements on door.*

*For more information, including technical memos, door clearance guides and templates visit <https://www.assaabloydooraccessories.us/en/>*

## Exclusive Fiber-Reinforced Polymer Bearings

- Uniquely designed to provide clean and quiet hinge operation
- Self lubricating with high resistance to wear
- Exceeds ANSI/BHMA Grade 1 requirements
- 25 year warranty



## Windstorm Rated Hinges

Windstorm/hurricane testing on Markar continuous hinges was completed with UL and has been reviewed and approved to meet the requirements of the Florida Building Code (FBC). These hinges have passed tests for the following: an Impact Test (TAS 201), Static Load/Cyclical Test (TAS 202), and a Water and Leakage Test (TAS 203). Markar excelled in all three categories of testing.

Based on this performance, the FBC approved most Markar hinges in the following series:

(Up to openings of 4'0 x 8'0 singles and 8'0 x 8'0 pairs)

- 100 – 6063-T6 Aluminum
- 200 – 14 ga. Cold Rolled Carbon Steel
- 300 – 14 ga. 304 Stainless Steel
- 600 – 14 ga. 316 Stainless Steel
- 3500 – 12 ga. 304 Stainless Steel (Security Grade)



Tornado



Hurricane



## Fire Rated Continuous Hinges

Markar Stainless Steel hinges (300 Series and 3500 Series) and carbon steel hinges (200 Series) are available with two labeling options: Underwriters Laboratories Inc. or Warnock Hersey Int'l.

- 20 minute labeled wood doors
- One and a half hour labeled hollow metal and composite-core wood fire doors
- Three hour labeled hollow metal doors (with fire pins)

Maximum Door Opening:

Single Doors: 4'0" x 10'0"

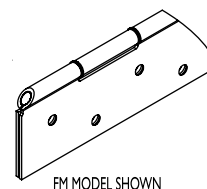
Pair of Doors: 8'0" x 10'0"



In accordance with UL10C for positive pressure.

## Behavioral Health Hinges

The Markar 300 Series Continuous Hinges with Hospital Tips are accepted by the New York State Office of Mental Health (OMH) for use in high risk areas.



**PEMKO**  
**ASSA ABLOY**

Experience a safer  
and more open world

800-824-3018 | [www.pemko.com](http://www.pemko.com)

Check the web site for the up-to-date catalog

Copyright © 2015-2022, ASSA ABLOY Accessories and Door Controls Group, Inc., an ASSA ABLOY Group company. All rights reserved. Reproduction in whole or in part without the express written permission of ASSA ABLOY Accessories and Door Controls Group, Inc. is prohibited.

# STANDARD POWDER COAT FINISHES

## Tough, Durable, Long-Lasting

Designed for general purpose interior and exterior use and applications where maximum chemical and solvent resistance is required.

## Performance Properties

The data below is based on 24 gauge Bonderite 1000 panels with 1.5 mil to 2.0 mil of high gloss formulation.

Adhesion (ASTM D-3359B): There is no lifting of 1/8" squares of coating between scribed lines in crosshatch adhesion testing using pressure sensitive adhesive backed tape.

Pencil Hardness (ASTM D-3363): 2H - 4H

Flexibility (ASTM D-522 modified): The coating withstands a 180° bend over a 1/4" diameter mandrel without cracking or loss of adhesion.

Impact Resistance (ASTM D 2794 modified): The coating withstands 160 inch-pound impacts, both direct and reverse, without cracking or loss of adhesion using the standard Gardner impact tester.

Abrasion Resistance (ASTM D-4060 modified): The weight loss of coating after 1,000 cycles on a Taber abraser equipped with CS-10 wheels and operating under a 1 kilogram loading per wheel is on the order of 35 to 50 milligrams.

Salt Spray Resistance (ASTM B-117): Bonderite 1000 steel panels, in a scribed condition, exhibit no undercutting after 1,000 hours in 5% salt spray testing at 95°F and 95% relative humidity. There was no rusting or blistering on the panel face away from the scribe.

Humidity Resistance (ASTM D-2247): Bonderite 1000 steel panels in an unscribed condition exhibit no effect after 1000 hours exposure to 100% relative humidity at 100°F.

Chemical and Solvent Resistance: After 60 days immersion in the test fluid, the following data was obtained for epoxy powder coatings:

15% Hydraulic Acid	No Effect
Lacquer Thinner	No Effect
Dilute "HTH" Pool Chemical	No Effect
15% Sulfuric Acid	Pinhole Rust
15% Caustic Soda	#8 Blisters
Ammonia Hydroxide	#8 Blisters
Petrochloroethylene	No Effect
15% Acetic Acid	#4 Blisters
Gasoline	No Effect

Verification of resistance properties should be made for each chemical or solvent proposed for use with the coating.

## Closest US Standard & BHMA Finishes

No minimum quantity.

PC-1	Dark Oxidized Satin Bronze	10BE
PC-2	White Suede	714
PC-3	Black Suede (BSP)	693
PC-4	Aluminum	689
PC-5	Sun Gold	706
PC-6	Light Copper	691
PC-7	Polished Brass	605

PC-7 available only on 100 & 300 series hinges

\*NOTE: The PC-7 will have an additional charge for two-step polishing process.

## Special Finishes

Polished Aluminum	US26	672
Polished Stainless	US32	629
Kynar Paint	With Color Approval	

\*NOTE: Additional setup charges will apply.

## Special Anodized Finishes

Gold Anodized	US3	310
Light Bronze Anodized	US9	311
Medium Bronze Anodized		312
Black Anodized	US19	315

## Custom Powder Coat Finishes

All RAL Powder Coat finishes available. Sample color chip must accompany order. Priced at time of order.

## U.S. Standard & B.H.M.A. Finish Codes

US3	310	gold anodized
US9	311	light bronze anodized
	312	medium bronze anodized
US20A	313	dark bronze anodized
US19	315	black anodized
USP	600	primed for paint
US2G	603	zinc plated
US28	628	clear anodized
US32	629	bright Stainless Steel
US32D	630	satin Stainless Steel
US26	672	bright polished aluminum
US28	689	aluminum paint
US20A	690	dark bronze paint
US10	691	light bronze paint
US19	693	black paint
US4	706	gold paint
	714	white paint



Experience a safer and more open world

# HINGE NUMBERING SYSTEM

## Hinge Prefixes

EG	Edge Guard
FM	Edge Mount
FS	Full Surface
HG	Hinge/Guard
HM	Half Mortise
HS	Half Surface
SC	Swing Clear

## Hinge Series

This series number indicates the type of hinge and base material used:

100	Aluminum barrel hinges with stainless pin
200	Carbon steel barrel hinges with stainless pin
300	Stainless steel barrel hinges with stainless pin
400	Spring loaded aluminum toilet partition hinge
600	14 Gauge 316 stainless steel pin and barrel security hinges
900	Spring loaded stainless steel toilet partition hinges
1900	Reinforcing pivots
3500	12 Gauge stainless steel pin and barrel security hinges

## Hinge Models

The last two digits of the model number indicate the application:

00	Edge mount (formerly full mortise)
01	Full surface, 1/8" offset
02	Full surface, flush
03	Half surface, 1/8" offset
04	Half mortise, 1/8" offset
05	Edge mount hinge/guard
06	Half mortise hinge/guard
07	Double hinge/guard
08	Edge guard
09	Full surface, swing clear
10	Swing clear hinge/guard
11	Edge mount, self aligning
15	Edge mount, self aligning flush edge guard
21	Full surface inset, 3/4" offset
22	Edge mount hinge/guard, deep
23	Edge mount hinge/guard, deep, thru bolt
25	Edge mount swing clear
26	Edge mount hinge/guard, swing clear
27	Edge mount, safety hinge
29	Edge mount, self aligning

Other numbers are used for specific applications

## Optional Suffixes

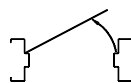
AMS	Adjustable Monitoring Switch
CTP	Current Transfer Preparation
DDP	Dutch Door Prep
EL	ElectroLynx® Wires (Specify 4, 8, or 12)
ETAP	Electrical Transfer Access Prep
EPT	Electric Power Transfer
HT	Hospital Tip
LL	Lead Lined
PC	Powder Coated
RB	Raised Barrel
WT	Wide Throw
PoE	Power over Ethernet

## Hinge Standard Lengths

### Standard Hinge Length Conversion Chart

A 6'8"	door opening	=	actual length	79 <sup>3</sup> / <sub>16</sub> "
A 7'0"	door opening	=	actual length	83 <sup>1</sup> / <sub>8</sub> "
A 7'2"	door opening	=	actual length	85 <sup>1</sup> / <sub>8</sub> "
A 8'0"	door opening	=	actual length	95"
A 10'0"	door opening	=	actual length	118 <sup>3</sup> / <sub>4</sub> "

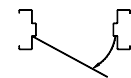
Custom hinge length will be evaluated at the time of request to ensure proper pin to knuckle alignment. Some custom length requests may be adjusted to ensure a proper hinge assembly. Specify handing on all custom hinge lengths.



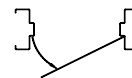
LEFT HAND



RIGHT HAND



LEFT HAND REVERSE



RIGHT HAND REVERSE

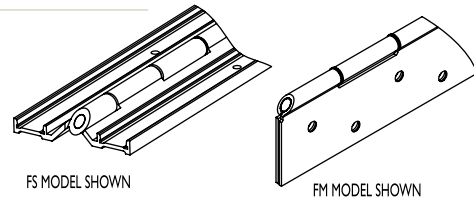
# CONTINUOUS HINGE MODIFICATIONS

## Special Length

Please specify handing on all custom hinge lengths  
Some custom lengths may require two cuts due to location of screw holes

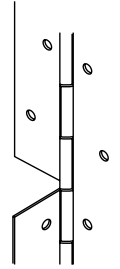
## Hospital Tip

Available on all models except spring-loaded toilet partition hinges, FS321 and FM327  
Suffix hinge "-HT"  
Helps provide a safe, clean environment



## Dutch Door Prep

Available on all hinge models  
Suffix hinge "-DDP"  
Continuous frame leaf with two-piece door leaf  
Indicate handing, clearances, door and frame heights, and materials when ordering

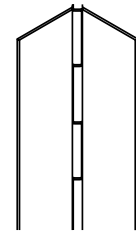


## Wide Throw

Only available on 300 and 3500 series hinges  
Markar Custom Hinge Information Form must be filled out  
Reinforcement may be required on extreme wide throw applications  
These conditions will be determined through a drawing approval process

## Blank

Holes omitted for special applications, such as welded installation  
Not available on adjustable models



## Welded End Pins

End pins are tack-welded and are non-removeable  
Not available on aluminum, powder coated hinges and 200 series hinges

## Plug Weld

Plug welding hole prep

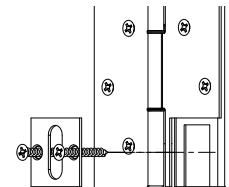
## Automatic Door Bottom Cut

Standard "U" shape cut accepts most automatic door bottoms  
Make and model are needed

## Removable Auto Door Bottom Prep (RADBP)

Auto door bottom cut out with cover plate

- FMPLATE (FM300, HM304, FM/SC325)
- HGPLATE (HG306, HG311, HG315, HG329)
- HGADJPLATE (HG305, HG310, HG326) FM3500PLATE (FM3500)



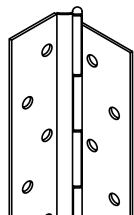
Experience a safer  
and more open world

800-824-3018 | [www.pemko.com](http://www.pemko.com)  
Check the web site for the up-to-date catalog

Copyright © 2015-2022, ASSA ABLOY Accessories and Door Controls Group, Inc., an ASSA ABLOY Group company. All rights reserved. Reproduction in whole or in part without the express written permission of ASSA ABLOY Accessories and Door Controls Group, Inc. is prohibited.



## CONTINUOUS HINGE MODIFICATIONS (CONT.)

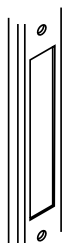


### Raised Barrel (Swaged)

Available on all edge mount, half surface, and half mortise models except on aluminum hinges

Suffix hinge "-RB"

For cased open or center pivot doors



### Standard Edge Guard Cut-Outs

The Edge Guard Order form must be filled out to properly locate the hardware cut-outs

4<sup>7</sup>/<sub>8</sub>" ASA strike

161 latch

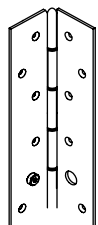
161 strike

86 mortise

Manual flush bolt

Automatic flush bolt

Fire bolt



### Security Studs

Stainless Steel security studs mounted to the frame leaf

Door leaf is drilled to accommodate studs

Three studs installed on hinges up to 7'2"

Four studs installed on hinges over 7'2"

Door and frame must be specially prepared to accommodate security studs

### Custom Design

The engineering department will assist you in developing custom applications to solve any of your unique door hinging problems. This includes Sheared Leaf or Custom Hole Pattern modifications.

Markar Custom Hinge Information Form must be filled out

### Lead Lined (Standard 4 Lbs./SQ.FT.)

Used for X-ray room doors and other locations where radiation leakage could be a problem

Available on surface mounted hinges and Markar EGT308 edge guard

## CONTINUOUS HINGE MODIFICATIONS *(Cont.)*

### EL ElectroLynx® Current Transfer

EL4 For 300, 3500, 200, and 100 series edge mount only.  
 2 wires at 22 gauge and 2 wires at 26 gauge - with ElectroLynx® connectors (4 wire)  
 EL8 For 300, 3500, 200, and 100 series edge mount only.  
 2 wires at 22 gauge and 6 wires at 26 gauge - with ElectroLynx® connectors (8 wire)  
 EL12 For 300, 3500, 200, and 100 series edge mount only.  
 2 wires at 22 gauge and 10 wires at 26 gauge - with ElectroLynx® connectors (12 wire)  
 \*We recommend an Electrical Transfer Access Prep (ETAP) with all ElectroLynx® modifications  
 Replacement wire harness available (EL4-REPLKIT, EL8-REPLKIT & EL12-REPLKIT)

#### ElectroLynx®

*As part of their promise to provide innovative, fast and effective high security solutions to their customers, certain ASSA ABLOY Group brands offer ElectroLynx®, a universal quick-connect system that simplifies the electrification of the door opening.*

*ElectroLynx® is a registered trademark of ASSA ABLOY Inc.*

### PoE (Power over Ethernet) ElectroLynx® Power and Data Transfer

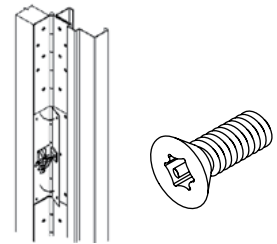
PoE for most 3500, 600, 300, 200 and 100 series edge mount continuous hinges- with ElectroLynx® connectors (9 wire). Electrical Transfer Access Prep (ETAP) included.

### ETAP Electrical Transfer Access Prep

Cutout prep for the AMS and EL modifications. This allows for easy, one-person access to wiring between the hinge and door

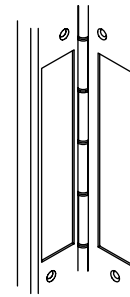
### Security Fasteners

Specify Torx or Torx-Pin security fasteners in lieu of standard fasteners  
 Contact factory for compatible models



### CTP Current Transfer Prep

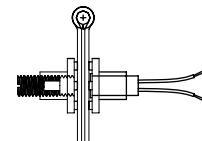
Centerline of hinge is standard location  
 Hinge leaf cutout to accommodate Markar's EPT Electric Power Transfer or other manufacturers' power transfer units  
 Please provide center line location (from top of hinge) and handing for all prep locations, see CTP Form on Page 79  
 Order form required, available online.



### EPT Electric Power Transfer Units

EL-EPT	Stamped steel, for up to 105° opening
EL-EPTL	Stamped steel, long for 180° opening
EL-EPT-SC	Stamped steel, for swing clear hinges
EL-CEPTx32D	Cast Stainless Steel, satin
EL-CEPTx10B	Cast Stainless Steel, oil rubbed bronze

12-Wire with ElectroLynx® connectors standard on all power transfer units  
 CTP prep is additional charge  
 Note: Ordering EPT unit does not constitute CTP prep on hinge  
 Order form required, available online.



### AMS Adjustable Monitoring Switch

Rigid welded assembly gives you the ability to adjust your monitoring switch to work with all applications 300 and 3500 Series  
 Rating: 30v AC/DC .25 amps MAX  
 We recommend an Electrical Transfer Access Prep (ETAP) with this modification.



Experience a safer and more open world

800-824-3018 | [www.pemko.com](http://www.pemko.com)  
 Check the web site for the up-to-date catalog

Copyright © 2015-2022, ASSA ABLOY Accessories and Door Controls Group, Inc., an ASSA ABLOY Group company. All rights reserved. Reproduction in whole or in part without the express written permission of ASSA ABLOY Accessories and Door Controls Group, Inc. is prohibited.

# MARKAR 3500 SERIES STAINLESS STEEL PIN & BARREL CONTINUOUS HINGES

## Short Form Architectural Specification:

Continuous hinges shall be full height piano-type hinge providing full height door support.

- Supports weights up to 900 lbs. 4'0" maximum door width
- Material to be 12 gauge (.105) Stainless Steel
- .187" diameter Stainless Steel pin (rod)
- Each knuckle 2", including nylon bearing at each separation for a quiet, smooth, self-lubricating operation
- Finish: US32D Satin Stainless Steel (630)  
Optional Finish: US32 Bright Stainless Steel (629), Scratch-Resistant Powder Coated Paint.
- All hinges shall be furnished with manufacturer's recommended hardware pack per specific model application
- Must be able to carry UL label for fire rated doors and frames up to 3 hours
- Hinges shall meet ANSI/BHMA Standard A 156.26 Grade 1
- Symmetrically templated hole pattern

*Note: 25-Year Warranty on Continuous Pin & Barrel Hinges*

*Note: Fire label for doors and frames should be placed on the header and top rail of fire rated doors and frames*

## MARKAR FM3500 EDGE MOUNT SECURITY HINGE

### Standard Features

#### Barrel Type Hinge

.187" diameter Stainless Steel pin (rod)  
Medical bearings  
Stainless Steel end pins

#### Material

Heavy-duty 12 gauge (.105") Stainless Steel

#### Finishes

US32D Satin Stainless Steel (630)

#### Hospital Tip

Standard

#### Standards

ANSI/BHMA Standard A156.26 Grade 1

#### Hole Pattern

Symmetrically templated

#### Mounting Hardware

Fasteners concealed when door is closed

Custom 12-24 x 7/16" S.S Phillips Flat Head Undercut Machine Screw

#### Capacity

Supports weights up to 900lbs. 4'0" maximum door width

#### Standard Sizes

6'8", 7'0", 7'2", 8'0", 10'0"

#### Handing

Handing not required on standard hinges. Specify handing when ordering a hinge with modification

#### Fire Rating

3 hours- hollow metal doors  
90 minutes- hollow metal and composite  
20 minutes- wood doors



Classified in accordance with UL10C for positive pressure



Fire-rated label

#### Windstorm

Evaluated in accordance with TAS 201-14, TAS 202-14, TAS 203-14, ASTM E330, ASTM E1886, ASTM E1996 and ANSI A250.13.

### Optional Features

#### Finish

US32 Bright Stainless Steel (629)  
Scratch-Resistant Powder Coated Paint

#### Hole Patterns

Plug weld hole pattern  
Custom hole pattern

#### Fasteners

Tamper-proof security screws

#### Other Features

Custom lengths - specify in inches  
Dutch door hinges - suffix "DDP"  
Raised barrel - suffix "RB"  
Welded End Pins  
Security studs

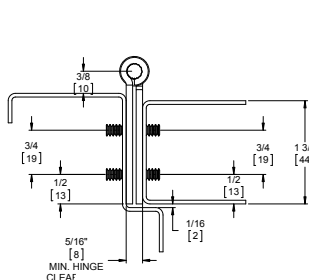
#### Electrical Modifications

Adjustable Monitoring Switch - suffix "AMS"  
Current Transfer Prep - suffix "CTP"  
Electrical Transfer Access Prep - "ETAP"

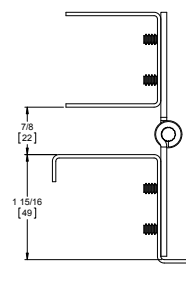
#### ElectroLynx®

EL4 (4 wire), EL8 (8 wire), EL12 (12 wire)  
PoE (9 wire)

This edge mount pin and barrel type hinge is fabricated with extra-heavy duty components for use on high traffic, high abuse doors. The hinge is specially designed and well suited for correctional facilities and other high security locations using up to 2 1/4" thick swing-type doors. Prison doors, gates, extremely tall doors and extra heavy doors are all good candidates for Markar's 3500 Security Hinge.



Door Closed



Door Open 180°

**PEMCO**  
**ASSA ABLOY**

Experience a safer  
and more open world

800-824-3018 | www.pemco.com

Check the web site for the up-to-date catalog

Copyright © 2015-2022, ASSA ABLOY Accessories and Door Controls Group, Inc., an ASSA ABLOY Group company. All rights reserved. Reproduction in whole or in part without the express written permission of ASSA ABLOY Accessories and Door Controls Group, Inc. is prohibited.

# MARKAR FS3501 1/8" INSET FULL SURFACE SECURITY HINGE

## Standard Features

### Barrel Type Hinge

.187" diameter Stainless Steel pin (rod)  
 Medical bearings  
 Stainless Steel end pins

### Material

Heavy-duty 12 gauge (.105")  
 Stainless Steel

### Finishes

US32D Satin Stainless Steel (630)  
 Hospital Tip Standard

### Standards

ANSI/BHMA Standard A156.26  
 Grade 1

### Mounting Hardware

Custom 12-24 x 7/16" S.S Phillips  
 Flat Head Undercut Machine  
 Screw

### Capacity

Supports weights up to 900lbs.  
 4'0" maximum door width

### Standard Sizes

6'8", 7'0", 7'2", 8'0", 10'0"

### Hole Pattern


Symmetrically templated

### Handing

Specify handing

### Fire Rating

3 hours- hollow metal doors  
 90 minutes- hollow metal and composite  
 20 minutes- wood doors

 Classified in accordance with UL10C  
 for positive pressure

 Fire-rated label

## Optional Features

### Finish

US32 Bright Stainless Steel (629)  
 Scratch-Resistant Powder Coated Paint

### Hole Patterns

Plug weld hole pattern  
 Custom hole pattern

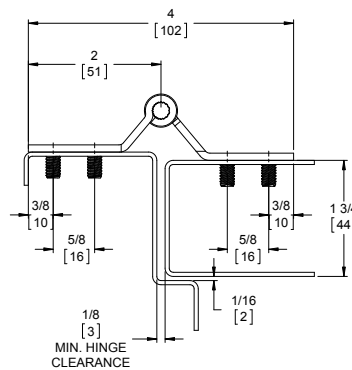
### Fasteners

Tamper-proof security screws

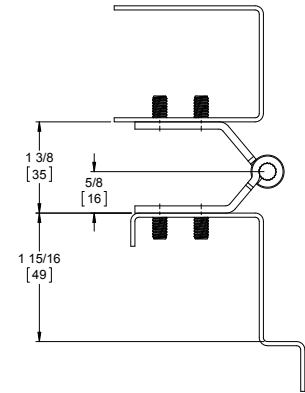
### Other Features

Custom lengths – specify in inches  
 Dutch door hinges – suffix "DDP"  
 Welded End Pins

For 1/8" inset doors. This hinge allows for perfect alignment for the retrofitting of doors in correctional facilities and other high security locations using 2" thick swing-type doors. Prison doors, gates, extremely tall doors and extra heavy doors are all good candidates for Markar's 3501 Security Hinge.



Door Closed



Door Open 180°



Experience a safer  
 and more open world

800-824-3018 | [www.pemko.com](http://www.pemko.com)  
 Check the web site for the up-to-date catalog

Copyright © 2015-2022, ASSA ABLOY Accessories and Door Controls Group, Inc., an ASSA ABLOY Group company. All rights reserved. Reproduction in whole or in part without the express written permission of ASSA ABLOY Accessories and Door Controls Group, Inc. is prohibited.

# MARKAR FS3502 FLUSH FULL SURFACE SECURITY HINGE

## Standard Features

### Barrel Type Hinge

.187" diameter Stainless Steel pin (rod)  
Stainless Steel end pins  
Medical bearings

### Material

Heavy-duty 12 gauge (.105")  
Stainless Steel

### Finishes

US32D Satin Stainless Steel (630)  
Hospital Tip Standard

### Standards

ANSI/BHMA Standard A156.26 Grade 1

### Mounting Hardware

Custom 12-24 x 7/16" S.S Phillips  
Flat Head Undercut Machine  
Screw

### Capacity

Supports weights up to 900lbs.  
4'0" maximum door width

### Standard Sizes

6'8", 7'0", 7'2", 8'0", 10'0"

### Hole Pattern

Symmetrically templated

### Handing

Handing not required on standard  
hinges Specify handing when  
ordering a hinge with modification

### Fire Rating

3 hours- hollow metal doors 90  
minutes- hollow metal and composite  
20 minutes- wood doors



Classified in accordance with  
UL10C for positive pressure



Fire-rated label

## Optional Features

### Finish

US32 Bright Stainless Steel (629)  
Scratch-Resistant Powder Coated Paint

### Hole Patterns

Plug weld hole pattern  
Custom hole pattern

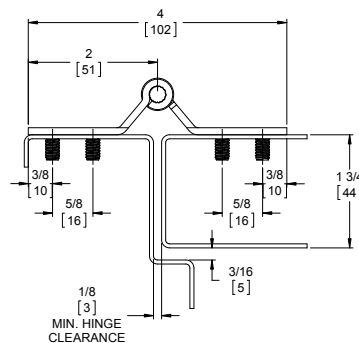
### Fasteners

Tamper-proof security screws

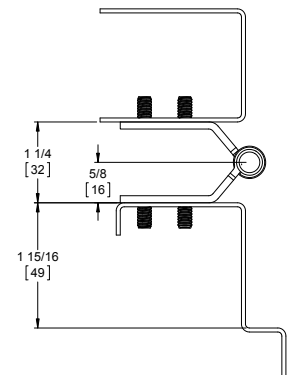
### Other Features

Custom lengths - specify in inches  
Dutch door hinges - suffix "DDP"  
Welded End Pins

This surface-mounted pin and barrel type hinge is fabricated with extra-heavy duty components and designed for solving door sag problems on high traffic, high abuse doors. This hinge is well suited for correctional facilities and other high security locations using 2" thick swing-type doors. Prison doors, gates extremely tall doors and extra heavy doors are all good candidates for Markar's 3502 Security Hinge.



Door Closed



Door Open 180°

800-824-3018 | [www.pemko.com](http://www.pemko.com)

Check the web site for the up-to-date catalog

Copyright © 2015-2022, ASSA ABLOY Accessories and Door Controls Group, Inc., an ASSA ABLOY Group company. All rights reserved.  
Reproduction in whole or in part without the express written permission of ASSA ABLOY Accessories and Door Controls Group, Inc. is prohibited.

**PEMKO**  
**ASSA ABLOY**

Experience a safer  
and more open world

# MARKAR HG3505 ADJUSTABLE HINGE GUARD

## Standard Features

### Barrel Type Hinge

.187" diameter Stainless Steel pin (rod)  
 Medical bearings  
 Stainless Steel end pins

### Material

Heavy-duty 12-gauge (.105") Stainless Steel hinge leaves  
 14 gauge Stainless Steel angle on door leaf

### Finishes

US32D Satin Stainless Steel (630)  
 Hospital Tip Standard

### Standards

ANSI/BHMA Standard A156.26  
 Grade 1

### Mounting Hardware

Custom 12-24 x <sup>7</sup>/<sub>16</sub>" S.S Phillips Flat Head Undercut Machine Screw

### Capacity

Supports weights up to 900lbs.  
 4'0" maximum door width

### Standard Sizes

6'8", 7'0", 7'2", 8'0", 10'0"

### Hole Pattern

Symmetrically templated

### Handing

Specify handing



### Fire Rating

3 hours- hollow metal doors  
 90 minutes- hollow metal and composite 20 minutes- wood doors



Classified in accordance with UL10C for positive pressure

Fire-rated label

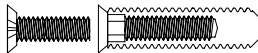
## Optional Features

### Finish

US32 Bright Stainless Steel (629)  
 Scratch-Resistant Powder Coated Paint

### Mounting Hardware

Tamper-proof security screws  
 Adjust-A-Screw™ for correcting alignment problems up to <sup>3</sup>/<sub>8</sub>"



### Other Features

Custom lengths - specify in inches  
 Custom hole pattern  
 Dutch door hinges - suffix "DDP"  
 Raised barrel - suffix "RB"  
 Welded end pins  
 Security studs

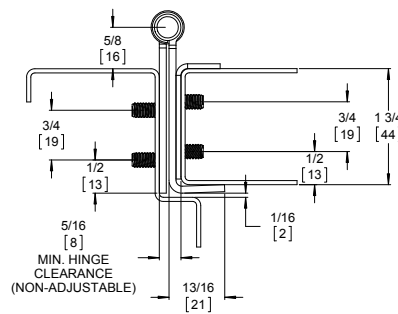
### Electrical Modifications

Adjustable Monitoring Switch - suffix "AMS"  
 Current Transfer Prep - suffix "CTP"  
 Electronic Transfer Access Prep - suffix "ETAP"

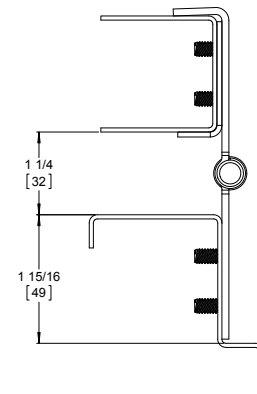
### ElectroLynx®

EL4 (4 wire), EL8 (8 wire), EL12 (12 wire)  
 PoE (9 wire)

The integral hinge guard protects the door from dings and gouges from carts and gurneys while providing clean lines and aesthetic appearance. Our HG products also have fire ratings up to and including 3 hours.



Door Closed



Door Open 180°



Experience a safer and more open world

800-824-3018 | www.pemko.com  
 Check the web site for the up-to-date catalog

Copyright © 2015-2022, ASSA ABLOY Accessories and Door Controls Group, Inc., an ASSA ABLOY Group company. All rights reserved. Reproduction in whole or in part without the express written permission of ASSA ABLOY Accessories and Door Controls Group, Inc. is prohibited.



# MARKAR 600 SERIES STAINLESS STEEL PIN & BARREL CONTINUOUS HINGES

## Short Form Architectural Specification:

Continuous hinges shall be full height piano-type hinge providing full height door support.

- Supports weights up to 600 lbs. 4' 0" maximum door width
- Material to be 14 gauge 316 Stainless Steel
- .187" diameter Stainless Steel pin (rod)
- Exterior barrel diameter .438" (7/16")
- Each knuckle 2", including nylon bearing at each separation for a quiet, smooth, self-lubricating operation
- Finish: US32D Satin Stainless Steel (630)  
Optional Finish: US32 Bright Stainless Steel (629), Scratch-Resistant Powder Coated Paint.
- All hinges shall be furnished with manufacturer's recommended hardware pack per specific model application
- Must be able to carry Warnock Hersey Int. or UL for fire rated doors and frames up to 3 hours
- Hinges shall meet ANSI/BHMA Standard A 156.26 Grade 1
- Symmetrically templated hole pattern

NOTE: 25-Year Warranty on Continuous Pin & Barrel Hinges

NOTE: Fire label for doors and frames should be placed on the header and top rail of fire rated doors and frames

# MARKAR FM600 316 SS EDGE MOUNT HINGE

## Standard Features

### Barrel Type Hinge

.187" diameter Stainless Steel pin (rod)  
Medical bearings  
Stainless Steel end pins

### Material

Heavy duty 14 gauge 316 stainless steel

### Finishes

US32D Satin Stainless Steel (630)

### Standards

ANSI/BHMA Standard A156.26 Grade 1

### Hole Pattern

Symmetrically templated

### Mounting Hardware

Fasteners concealed when door is closed  
Custom 12-24 x 11/16" S.S Phillips Flat Head Undercut TEK Screws

### Capacity

Supports weights up to 600 lbs. 4'0" maximum door width

### Standard Sizes

6'8", 7'0", 7'2", 8'0", 10'0"

### Handing

Handing not required on standard hinges. Specify handing when ordering a hinge with modification.

### Rating

3 hours- hollow metal doors 90 minutes- hollow metal and composite core wood fire doors  
20 minutes- wood doors



Classified in accordance with UL10C for positive pressure

Fire-rated label

### Windstorm

Evaluated in accordance with TAS 201-14, TAS 202-14, TAS 203-14, ASTM E330, ASTM E1886, ASTM E1996 and ANSI A250.13

## Optional Features

### Finishes

Scratch-Resistant Powder Coated Paint

### Fasteners

Tamper-proof security screws

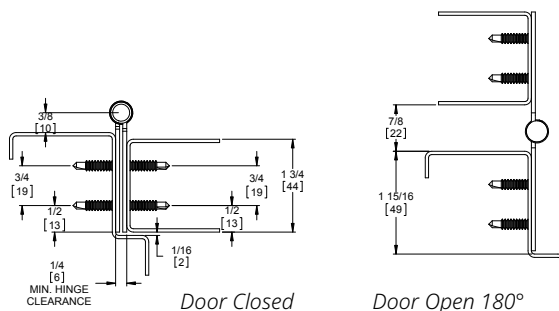
### Other Features

Custom lengths- specify in inches  
Custom hole pattern  
Dutch door hinges- suffix "DDP"  
Hospital tips - suffix "HT"  
Raised barrel - suffix "RB"  
Welded end pins  
Security studs.

### Electrical Modifications

Adjustable Monitoring Switch - "AMS"  
Current Transfer Prep - suffix "CTP"  
Electrical Transfer Access Prep - suffix "ETAP"  
**ElectroLynx®**  
EL4 (4 wire), EL8 (8 wire), EL12 (12 wire)  
PoE (9 wire)

This superior corrosion resistant edge mounted pin & barrel hinge is used in high chloride, sodium and sulfurous acid environments. This hinge works well in marine type environments.



800-824-3018 | www.pemko.com

Check the web site for the up-to-date catalog

Copyright © 2015-2022, ASSA ABLOY Accessories and Door Controls Group, Inc., an ASSA ABLOY Group company. All rights reserved. Reproduction in whole or in part without the express written permission of ASSA ABLOY Accessories and Door Controls Group, Inc. is prohibited.



Experience a safer and more open world

# MARKAR 300 SERIES STAINLESS STEEL PIN & BARREL CONTINUOUS HINGES

## Short Form Architectural Specification:

Continuous hinges shall be full height piano-type hinge providing full height door support.

- Supports weights up to 600 lbs. 4' 0" maximum door width
- Material to be 14 gauge Stainless Steel
- .187" diameter Stainless Steel pin (rod)
- Exterior barrel diameter .438" (7/16")
- Each knuckle 2", including nylon bearing at each separation for a quiet, smooth, self-lubricating operation
- Finish: US32D Satin Stainless Steel (630)  
Optional Finish: US32 Bright Stainless Steel (629), Scratch-Resistant Powder Coated Paint.
- All hinges shall be furnished with manufacturer's recommended hardware pack per specific model application
- Must be able to carry Warnock Hersey Int. or UL for fire rated doors and frames up to 3 hours
- Hinges shall meet ANSI/BHMA Standard A 156.26 Grade 1
- Symmetrically templated hole pattern

NOTE: 25-Year Warranty on Continuous Pin & Barrel Hinges

NOTE: Fire label for doors and frames should be placed on the header and top rail of fire rated doors and frames

# MARKAR FM300 EDGE MOUNT HINGE

## Standard Features

### Barrel Type Hinge

.187" diameter Stainless Steel pin (rod)  
Medical bearings  
Stainless Steel end pins

### Material

Heavy-duty 14 gauge Stainless Steel

### Finishes

US32D Satin Stainless Steel (630)

### Standards

ANSI/BHMA Standard A156.26 Grade 1

### Hole Pattern

Symmetrically templated

### Mounting Hardware

Fasteners concealed when door is closed  
Custom 12-24 x 11/16" S.S Phillips Flat Head Undercut TEK Screws

### Capacity

Supports weights up to 600 lbs.  
4'0" maximum door width

### Standard Sizes

6'8", 7'0", 7'2", 8'0", 10'0"

### Handing

Handing not required on standard hinges. Specify handing when ordering a hinge with modification.

### Rating

3 hours- hollow metal doors 90 minutes- hollow metal and composite core wood fire doors



20 minutes- wood doors

Classified in accordance with UL10C for positive pressure



Fire-rated label

Windstorm

Evaluated in accordance with TAS 201-94, TAS 202-94, TAS 203-94, ASTM E330, ASTM E1886, ASTM E1996 and ANSI A250.13

## Optional Features

### Finishes

Scratch-Resistant Powder Coated Paint

### Fasteners

Tamper-proof security screws

### Other Features

Custom lengths- specify in inches  
Custom hole pattern

Dutch door hinges- suffix "DDP"

Hospital tips - suffix "HT"

Raised barrel - suffix "RB"

Welded end pins

Security studs.

### Electrical Modifications

Adjustable Monitoring Switch - "AMS"

Current Transfer Prep - suffix "CTP"

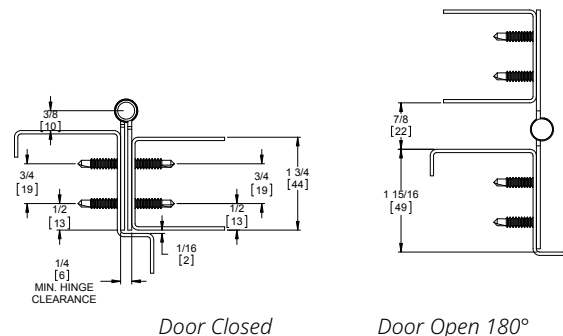
Electrical Transfer Access Prep - suffix "ETAP"

### ElectroLynx®

EL4 (4 wire), EL8 (8 wire), EL12 (12 wire)

PoE (9 wire)

This edge-mounted pin & barrel hinge is used on many of today's high traffic, high abuse doors. The hinge works well in locations that would normally call out for anchor hinges, pivot reinforcement hinges or thrust pivot unit and hinge sets. This hinge saves on special door and frame preparation charges and makes the installer's job easier. It can be used on both fire labeled and non-labeled openings.



Experience a safer and more open world

# MARKAR FM300WT WIDE THROW EDGE MOUNT HINGES

## Standard Features

### Barrel Type Hinge

.187" diameter Stainless Steel pin (rod)  
Medical bearings  
Stainless Steel end pins

### Material

Heavy-duty 14 gauge Stainless Steel  
Heavy-duty 12 gauge support angles, where applicable

### Finishes

US32D Satin Stainless Steel (630)

### Standards

ANSI/BHMA Standard A156.26 Grade 1

### Mounting Hardware

Custom 12-24 x 1<sup>1</sup>/<sub>16</sub>" S.S Phillips  
Flat Head Undercut TEK Screws

### Capacity

Weight: Consult factory  
4'0" maximum door width

### Standard Sizes

6'8", 7'0", 7'2", 8'0", 10'0"

### Hole Pattern

Symmetrically templated

### Handing

Handing not required on standard hinges. Specify handing when ordering a hinge with modification

### Fire Rating

3 hours- hollow metal doors  
90 minutes- hollow metal and composite core wood fire doors  
20 minutes- wood doors



Classified in accordance with UL10C for positive pressure



Fire-rated label

## Optional Features

### Finishes

Scratch-Resistant Powder Coated Paint

### Fasteners

Tamper-proof security screws

### Other Features

Custom lengths- specify in inches

Custom hole pattern

Dutch door hinges- suffix "DDP"

Hospital tips - suffix "HT"

Welded end pins

Security studs

### Electrical Modifications

Adjustable Monitoring Switch - suffix "AMS"

Current Transfer Prep - suffix "CTP"

Electrical Transfer Access Prep - suffix "ETAP"

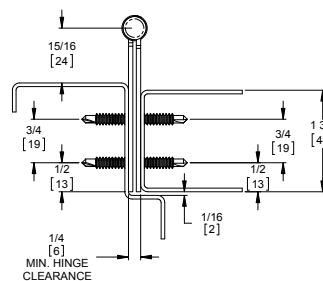
### ElectroLynx®

EL4 (4 wire), EL8 (8 wire), EL12 (12 wire)

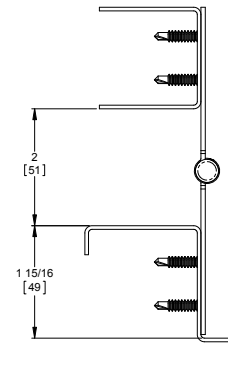
- Available for WT10
- Available only with ETAP for all other WT models; extended lead times apply

This edge-mounted pin & barrel hinge is used on many of today's high traffic, high abuse doors. The hinge works well in locations that would normally call out for anchor hinges, pivot reinforcement hinges or thrust pivot unit and hinge sets. This hinge saves on special door and frame preparation charges and makes the installer's job easier. It can be used on both fire labeled and non-labeled openings.

FM300WT10



Door Closed

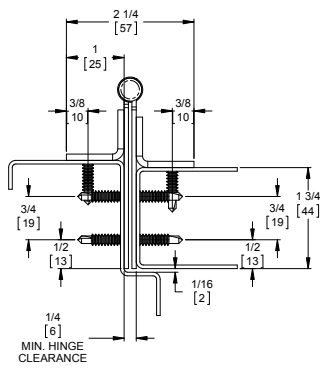


Door Open 180°

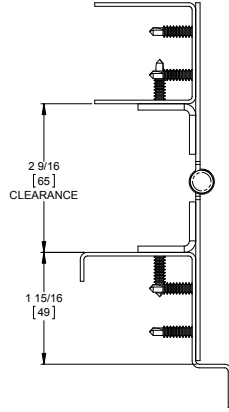
More profiles on next page

# MARKAR FM300WT WIDE THROW EDGE MOUNT HINGES (Cont.)

## FM300WT20

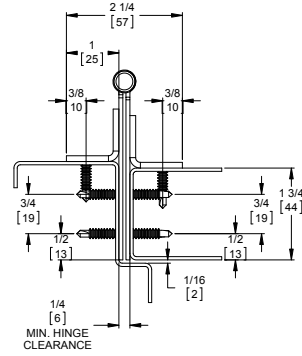


Door Closed

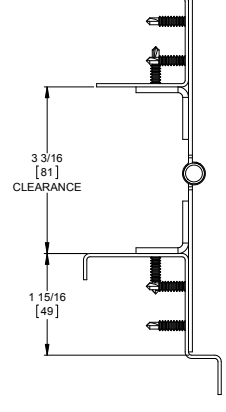


Door Open 180°

## FM300WT30

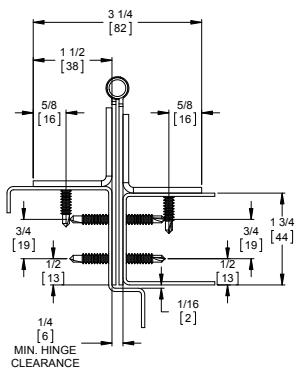


Door Closed

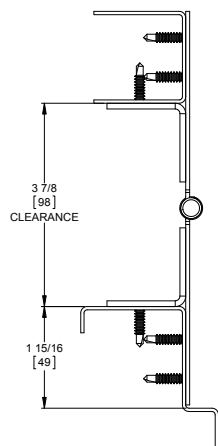


Door Open 180°

## FM300WT40

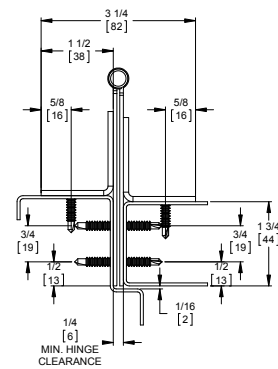


Door Closed

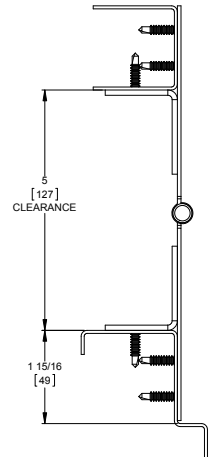


Door Open 180°

## FM300WT50



Door Closed



Door Open 180°



Experience a safer and more open world

800-824-3018 | [www.pemko.com](http://www.pemko.com)  
Check the web site for the up-to-date catalog

Copyright © 2015-2022, ASSA ABLOY Accessories and Door Controls Group, Inc., an ASSA ABLOY Group company. All rights reserved. Reproduction in whole or in part without the express written permission of ASSA ABLOY Accessories and Door Controls Group, Inc. is prohibited.

# MARKAR FS301 1/8" INSET FULL SURFACE HINGE

## Standard Features

### Barrel Type Hinge

.187" diameter Stainless Steel pin (rod)  
Medical bearings  
Stainless Steel end pins

### Material

Heavy-duty 14 gauge Stainless Steel  
Cover - extruded aluminum

### Finishes

US32D Satin Stainless Steel (630)  
Cover - brushed aluminum

### Standards

ANSI/BHMA Standard A156.26 Grade 1

### Mounting Hardware

Fasteners concealed underneath  
aluminum cover  
1/4"-14 x 3/4" Security TORX  
TEK Screws

### Capacity

Supports weights up to 600 lbs.  
4'0" maximum door width

### Standard Sizes

6'8", 7'0", 7'2", 8'0", 10'0"

### Handing

Not required for standard 7'0",  
8'0" or 10'0". Handing required for  
6'8" and 7'2" and for most optional  
features listed

### Fire Rating

3 hours- hollow metal doors  
90 minutes- hollow metal and composite  
core wood fire doors  
20 minutes- wood doors



Classified in accordance with  
UL10C for positive pressure  
Fire-rated label

## Optional Features

### Finishes

US32 Bright Stainless Steel (629)  
Scratch-Resistant Powder Coated Paint

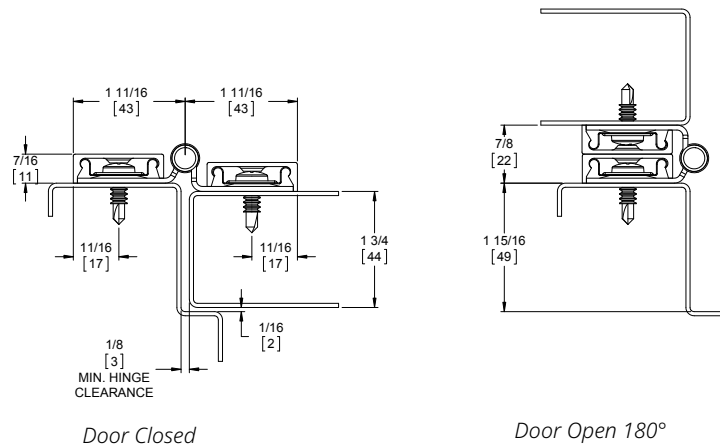
### Fasteners

1 5/8" S.S. sleeve bolts  
Tamper-proof security screws

### Other Features

Custom lengths- specify in inches  
Custom hole pattern  
Dutch door hinges - suffix "DDP"  
Hospital tips - suffix "HT"  
Lead lined covers with 4 lbs. lead  
lining - suffix "LL"  
Welded end pins

This surface-mounted pin & barrel continuous hinge can be used to repair or replace existing hinges on both fire labeled and non-labeled doors that have very tight clearances. The hinge has a built-in 1/8" offset to assist in weather seal and sound barrier areas.



# MARKAR FS302 FULL SURFACE FLUSH MOUNT

## Standard Features

### Barrel Type Hinge

.187" diameter Stainless Steel pin (rod)  
 Medical bearings  
 Stainless Steel end pins

### Material

Heavy-duty 14 gauge Stainless Steel  
 Cover - extruded aluminum

### Finishes

US32D Satin Stainless Steel (630)  
 Cover - brushed aluminum

### Standards

ANSI/BHMA Standard A156.26 Grade 1

### Mounting Hardware

Fasteners concealed underneath  
 aluminum cover  
 1/4" - 14 x 3/4" Security TORX  
 TEK Screws Capacity  
 Supports weights up to 600 lbs.  
 4'0" maximum door width

### Standard Sizes

6'8", 7'0", 7'2", 8'0", 10'0"

### Hole Pattern

Symmetrically templated

### Handing

Handing not required on standard  
 hinges. Specify handing when  
 ordering a hinge with modification

### Fire Rating

3 hours- hollow metal doors  
 90 minutes- hollow metal and  
 composite core wood fire doors  
 20 minutes- wood doors



Classified in accordance with  
 UL10C for positive pressure  
 Fire-rated label

## Optional Features

### Finishes

US32 Bright Stainless Steel (629)  
 Scratch-Resistant Powder Coated Paint

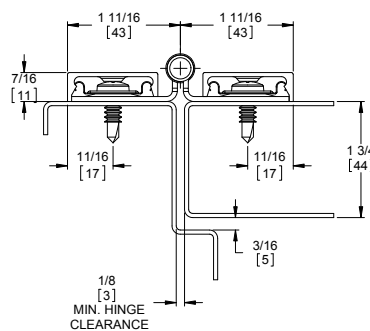
### Fasteners

1 5/8" S.S. sleeve bolts  
 Tamper-proof security screws

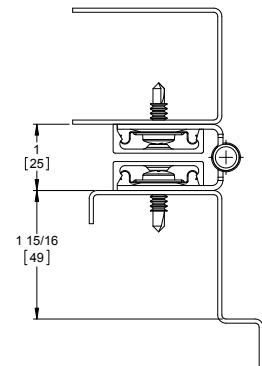
### Other Features

Custom lengths- specify in inches  
 Custom hole pattern  
 Dutch door hinges - suffix "DDP"  
 Hospital tips - suffix "HT"  
 Lead lined covers with 4 lbs. lead  
 lining - suffix "LL"  
 Welded end pins

This surface-mounted pin & barrel  
 continuous hinge can be used to  
 replace and repair existing hinges  
 on both fire labeled and non-labeled  
 doors. Designed for retrofit market.



Door Closed



Door Open 180°



Experience a safer  
 and more open world

800-824-3018 | [www.pemko.com](http://www.pemko.com)  
 Check the web site for the up-to-date catalog

Copyright © 2015-2022, ASSA ABLOY Accessories and Door Controls Group, Inc., an ASSA ABLOY Group company. All rights reserved.  
 Reproduction in whole or in part without the express written permission of ASSA ABLOY Accessories and Door Controls Group, Inc. is prohibited.

# MARKAR HS303 HALF SURFACE HINGE

## Standard Features

### Barrel Type Hinge

.187" diameter Stainless Steel pin (rod)  
Medical bearings  
Stainless Steel end pins

### Material

Heavy-duty 14 gauge Stainless Steel  
Cover - extruded aluminum

### Finishes

US32D Satin Stainless Steel (630)  
Cover - brushed aluminum

### Standards

ANSI/BHMA Standard A156.26 Grade 1

### Mounting Hardware

Fasteners concealed when door is closed  
Custom 12-24 x 11/16" S.S Phillips Flat Head Undercut TEK Screws & 1/4-14 x 3/4" Security TORX TEK Screws

### Capacity

Supports weights up to 600 lbs.  
4'0" maximum door width

### Sizes

6'8", 7'0", 7'2", 8'0", 10'0"

### Hole Pattern

Symmetrically templated

### Handing

Not required for standard 7'0", 8'0" or 10'0". Handing required for 6'8" and 7'0" and for most optional features listed

### Fire Rating

3 hours- hollow metal doors  
90 minutes- hollow metal and composite  
20 minutes- wood doors



Classified in accordance with UL10C for positive pressure



Fire-rated label

## Optional Features

### Finish

US32 Bright Stainless Steel (629)  
Scratch-Resistant Powder Coated Paint

### Fasteners

1 5/8" S.S. sleeve bolts  
Tamper-proof security screws

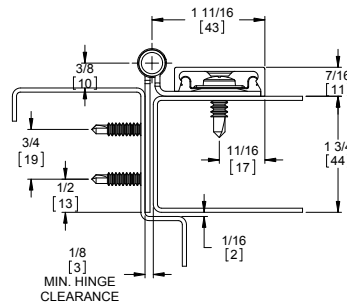
### Other Features

Custom lengths - specify in inches  
Custom hole pattern  
Dutch door hinges - suffix "DDP"  
Hospital tips - suffix "HT"  
Raised barrel - suffix "RB"  
Welded end pins  
Lead lined cover with 4 lbs. lead lining - suffix "LL"

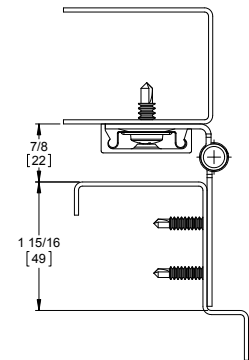
### Electrical Modifications

Current Transfer Prep (frame leaf only) - suffix "CTP"

This half-surface pin & barrel continuous hinge can be used to repair or replace existing hinges on both fire labeled openings. The hinge fits into the gap left after standard butt hinges are removed. It can assist in reversing the handing of a door, or to reverse the swing of a door hung in an evenly-rabbetted frame. (Please consult factory for instructions for unevenly-rabbetted frames.)



Door Closed



Door Open 180°

800-824-3018 | [www.pemko.com](http://www.pemko.com)

Check the web site for the up-to-date catalog

Copyright © 2015-2022, ASSA ABLOY Accessories and Door Controls Group, Inc., an ASSA ABLOY Group company. All rights reserved. Reproduction in whole or in part without the express written permission of ASSA ABLOY Accessories and Door Controls Group, Inc. is prohibited.

**PEMKO**  
**ASSA ABLOY**

Experience a safer  
and more open world



# MARKAR HM304 HALF MORTISE HINGE

## Standard Features

### Barrel Type Hinge

.187" diameter Stainless Steel pin (rod)  
 Medical bearings  
 Stainless Steel end pins

### Material

Heavy-duty 14 gauge Stainless Steel  
 Cover - extruded aluminum

### Finishes

US32D Satin Stainless Steel (630)  
 Cover - brushed aluminum

### Standards

ANSI/BHMA Standard A156.26 Grade 1

### Mounting Hardware

Fasteners concealed when door is closed  
 Custom 12-24 x 1<sup>11</sup>/<sub>16</sub>" S.S Phillips Flat Head Undercut TEK Screws & 1<sup>1</sup>/<sub>4</sub>-14 x 3<sup>3</sup>/<sub>4</sub>" Security TORX TEK Screws

### Capacity

Supports weights up to 600 lbs.  
 4'0" maximum door width

### Standard Sizes

6'8", 7'0", 7'2", 8'0", 10'0"

### Hole Pattern

Symmetrically templated

### Handing

Not required for standard 7'0", 8'0" or 10'0". Handing required for 6'8" and 7'2" and for most optional features listed

### Fire Rating

3 hours- hollow metal doors  
 90 minutes- hollow metal and composite  
 20 minutes- wood doors



Classified in accordance with UL10C for positive pressure



Fire-rated label

## Optional Features

### Finishes

US32 Bright Stainless Steel (629)  
 Scratch-Resistant Powder Coated Paint

### Fasteners

Tamper-proof security screws

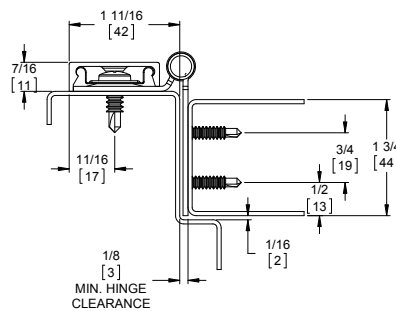
### Other Features

Custom lengths- specify in inches  
 Custom hole pattern  
 Dutch door hinges- suffix "DDP"  
 Hospital tips - suffix "HT"  
 Raised barrel - suffix "RB"  
 Welded end pins

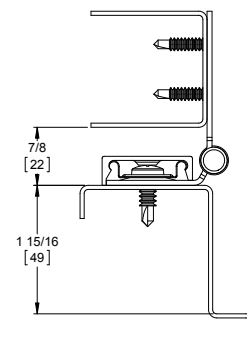
### Electrical Modifications

Current Transfer Prep (door leaf only)  
 - suffix "CTP"

This pin & barrel type hinge is used on wooden doors to hide splits, chips and dents from traffic abuse. The surface mounted frame leaf allows for easy retrofit installation.



Door Closed



Door Open 180°



Experience a safer and more open world

800-824-3018 | [www.pemko.com](http://www.pemko.com)  
 Check the web site for the up-to-date catalog

Copyright © 2015-2022, ASSA ABLOY Accessories and Door Controls Group, Inc., an ASSA ABLOY Group company. All rights reserved. Reproduction in whole or in part without the express written permission of ASSA ABLOY Accessories and Door Controls Group, Inc. is prohibited.

# MARKAR HG305 ADJUSTABLE HINGE GUARD

## Standard Features

### Barrel Type Hinge

.187" diameter Stainless Steel pin (rod)  
Medical bearings  
Stainless Steel end pins

### Material

Heavy-duty 14 gauge Stainless Steel  
Finishes  
US32D Satin Stainless Steel (630)

### Standards

ANSI/BHMA Standard A156.26 Grade 1

### Mounting Hardware

Fasteners concealed when door is closed  
Custom 12-24 x 1<sup>1</sup>/<sub>16</sub>" S.S Phillips Flat Head Undercut TEK Screws

### Capacity

Supports weights up to 600 lbs.  
4'0" maximum door width

### Standard Sizes

6'8", 7'0", 7'2", 8'0", 10'0"

### Hole Pattern

Symmetrically templated

### Handing

Not required for standard 7'0", 8'0" or 10'0". Handing required for 6'8" and 7'2" and for most optional features listed

### Fire Rating

3 hours- hollow metal doors  
90 minutes- hollow metal and composite  
20 minutes- wood doors



Classified in accordance with UL10C for positive pressure



Fire-rated label

### Windstorm

Products is constructed in accordance with Guidelines FEMA 320 & FEMA 361.

## Optional Features

### Finish

US32 Bright Stainless Steel (629)  
Scratch-Resistant Powder Coated Paint

### Fasteners

Adjust-A-Screw™ for correcting frame fit problems up to 3/8"

### Other Features

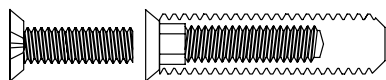
Custom lengths- specify in inches  
Custom hole pattern  
Dutch door hinges- suffix "DDP"  
Hospital tips – suffix "HT"  
Raised barrel – suffix "RB"  
Welded end pins  
Security studs

### Electrical Modifications

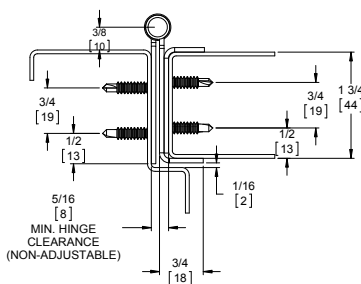
Adjustable Monitoring Switch - suffix "AMS"  
Current Transfer Prep - suffix "CTP"  
Electrical Transfer Access Prep - suffix "ETAP"

### ElectroLynx®

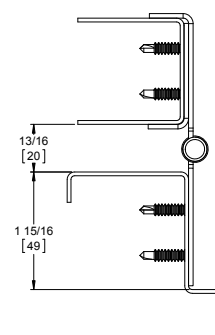
EL4 (4 wire), EL8 (8 wire), EL12 (12 wire)  
PoE (9 wire)



The integral hinge guard protects the door from dings and gouges from carts and gurneys while providing clean lines and aesthetic appearance. Our HG products also have fire ratings up to and including 3 hours. Not only that, but the wrap-around edge guard protects the door from unsightly dents and gouges and will deflect objects, preventing further damage.



Door Closed



Door Open 180°

# MARKAR HG306 HINGE GUARD

## Standard Features

### Barrel Type Hinge

.187" diameter Stainless Steel pin (rod)  
 Medical bearings  
 Stainless Steel end pins

### Material

Heavy-duty 14 gauge Stainless Steel  
 Cover - extruded aluminum

### Finishes

US32D Satin Stainless Steel (630)  
 Cover - brushed aluminum

### Standards

ANSI/BHMA Standard A156.26 Grade 1

### Mounting Hardware

Fasteners concealed when door is closed

Custom 12-24 x 1<sup>1</sup>/<sub>16</sub>" S.S Phillips Flat Head Undercut TEK Screws & 1/4"-14 x 3/4" Security TORX TEK Screws

### Capacity

Supports weights up to 600 lbs.  
 4'0" maximum door width

### Standard Sizes

6'8", 7'0", 7'2", 8'0", 10'0"

### Hole Pattern

Symmetrically templated

### Handing

Not required for standard 7'0", 8'0" or 10'0". Handing required for 6'8" and 7'2" and for most optional features listed

### Fire Rating

3 hours- hollow metal doors  
 90 minutes- hollow metal and composite  
 20 minutes- wood doors



Classified in accordance with UL10C for positive pressure



Fire-rated label

## Optional Features

### Finishes

US32 Bright Stainless Steel (629)  
 Scratch-Resistant Powder Coated Paint

### Fasteners

Tamper-proof security screws

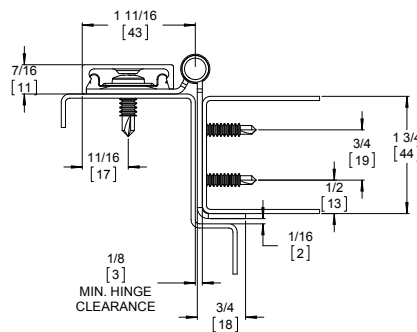
### Other Features

Custom lengths- specify in inches  
 Custom hole pattern  
 Dutch door hinges- suffix "DDP"  
 Hospital tips - suffix "HT"  
 Raised barrel - suffix "RB"  
 Welded End Pins

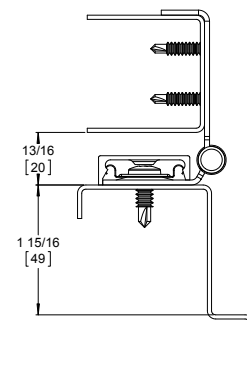
### Electrical Modifications

Current Transfer Prep (door leaf only)  
 - suffix "CTP"

This hinge is used with hollow metal frames and wood or hollow metal doors. The guard that wraps the door covers up dents, scratches, and splits in the door the door. This product covers the door's edge and wraps the door face to prevent further damage. This hinge can also be used to reverse the swing of a door.



Door Closed



Door Open 180°



Experience a safer and more open world

800-824-3018 | [www.pemko.com](http://www.pemko.com)  
 Check the web site for the up-to-date catalog

Copyright © 2015-2022, ASSA ABLOY Accessories and Door Controls Group, Inc., an ASSA ABLOY Group company. All rights reserved. Reproduction in whole or in part without the express written permission of ASSA ABLOY Accessories and Door Controls Group, Inc. is prohibited.

# MARKAR FS/SC309 FULL SURFACE SWING CLEAR HINGE

## Standard Features

### Barrel Type Hinge

.187" diameter Stainless Steel pin (rod)  
Medical bearings  
Stainless Steel end pins

### Material

Heavy-duty 14 gauge Stainless Steel  
Cover - extruded aluminum

### Finishes

US32D Satin Stainless Steel (630)  
Cover - brushed aluminum

### Standards

ANSI/BHMA Standard A156.26 Grade 1

### Mounting Hardware

Fasteners concealed when door is closed  
Custom 12-24 x 11/16" S.S Phillips Flat Head Undercut TEK Screws & 1/4-14 x 3/4" Security TORX TEK Screws

### Capacity

Supports weights up to 600 lbs.  
4'0" maximum door width

### Standard Sizes

6'8", 7'0", 7'2", 8'0", 10'0"

### Hole Pattern

Symmetrically templated

### Handing

Not required for standard 7'0", 8'0" or 10'0". Specify handing for 6'8" and 7'2" and for most optional features

### Fire Rating

3 hours- hollow metal doors  
90 minutes- hollow metal and composite  
20 minutes- wood doors



Classified in accordance with UL10C for positive pressure



Fire-rated label

## Optional Features

### Finish

US32 Bright Stainless Steel (629)  
Scratch-Resistant Powder Coated Paint

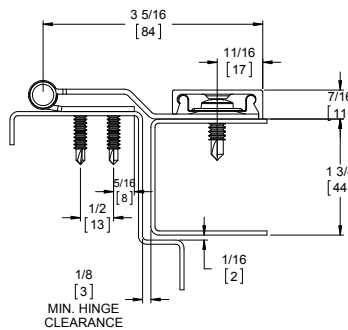
### Fasteners

Tamper-proof security screws

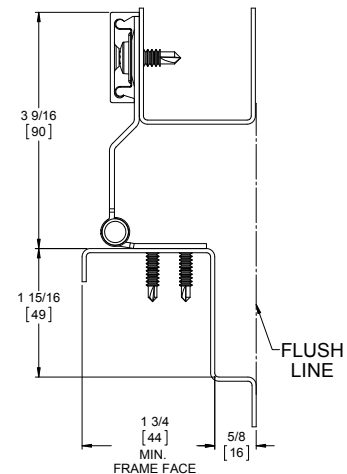
### Other Features

Custom lengths- specify in inches  
Custom hole pattern  
1 5/8" S.S. aluminum sleeve bolts  
Dutch door hinges - suffix "DDP"  
Hospital tips - suffix "HT"  
Lead lined cover with 4 lbs. lead lining - suffix "LL"  
Welded End Pins

This hinge is used to ensure that a door opened to a 90-degree angle is removed from the opening. This hinge will mount on a 1 3/4" face, and is especially useful for ADA upgrade work.



Door Closed



Door Open 90°

800-824-3018 | [www.pemko.com](http://www.pemko.com)

Check the web site for the up-to-date catalog

Copyright © 2015-2022, ASSA ABLOY Accessories and Door Controls Group, Inc., an ASSA ABLOY Group company. All rights reserved. Reproduction in whole or in part without the express written permission of ASSA ABLOY Accessories and Door Controls Group, Inc. is prohibited.

**PEMKO**  
**ASSA ABLOY**

Experience a safer  
and more open world

# MARKAR HG310 SWING CLEAR ADJUSTABLE HINGE GUARD

## Standard Features

### Barrel Type Hinge

.187" diameter Stainless Steel pin (rod)  
 Medical bearings  
 Stainless Steel end pins

### Material

Heavy-duty 14 gauge Stainless Steel  
 Finishes  
 US32D Satin Stainless Steel (630)

### Standards

ANSI/BHMA Standard A156.26 Grade 1

### Mounting Hardware

Fasteners concealed when door is closed  
 Custom 12-24 x 1<sup>1</sup>/<sub>16</sub>" S.S Phillips Flat Head Undercut TEK Screws

### Capacity

Supports weights up to 600 lbs.  
 4'0" maximum door width

### Standard Sizes

6'8", 7'0", 7'2", 8'0", 10'0"

### Hole Pattern

Symmetrically templated

### Handing

Not required for standard 7'0", 8'0" or 10'0". Specify handing for 6'8" and 7'2" and for most optional features

### Door Edge

Square hinge edge  
 Recommend Adjust-A-Screw for beveled hinge edge

### Fire Rating

3 hours- hollow metal doors  
 90 minutes- hollow metal and composite core wood fire doors  
 20 minutes- wood doors



Classified in accordance with UL10C for positive pressure



Fire-rated label

## Optional Features

### Finishes

US32 Bright Stainless Steel (629)  
 Scratch-Resistant Powder Coated Paint

### Fasteners

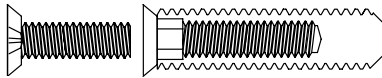
Tamper-proof security screws  
 Adjust-A-Screws™ for correcting frame fit problems up to 3/8"

### Other Features

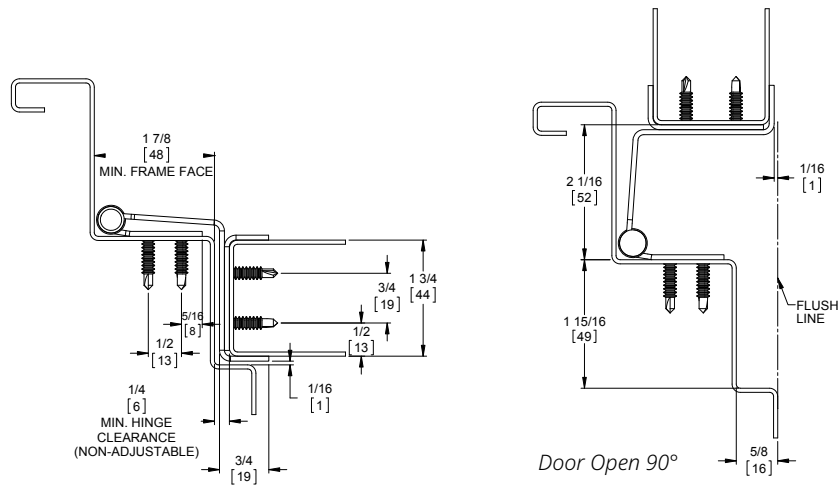
Custom lengths- specify in inches  
 Custom hole pattern  
 Dutch door hinges - suffix "DDP"  
 Hospital tips - suffix "HT"  
 Welded End Pins

### Electrical Modifications

Current Transfer Prep (door leaf only) - suffix "CTP"  
 (EL-EPT-SC Power Transfer Recommended)



The ADA-compliant hinge is used on operating room doors to swing the door out of the opening when moving equipment in and out. The hinge guard also protects the door in the open position.



Experience a safer and more open world

800-824-3018 | www.pemko.com  
 Check the web site for the up-to-date catalog

Copyright © 2015-2022, ASSA ABLOY Accessories and Door Controls Group, Inc., an ASSA ABLOY Group company. All rights reserved. Reproduction in whole or in part without the express written permission of ASSA ABLOY Accessories and Door Controls Group, Inc. is prohibited.

# MARKAR HG311 SWING CLEAR HINGE GUARD

## Standard Features

### Barrel Type Hinge

.187" diameter Stainless Steel pin (rod)  
Medical bearings  
Stainless Steel end pins

### Material

Heavy-duty 14 gauge Stainless Steel

### Finishes

US32D Satin Stainless Steel (630)

### Standards

ANSI/BHMA Standard A156.26 Grade 1

### Mounting Hardware

Fasteners concealed when door is closed  
Custom 12-24 x 1<sup>1</sup>/<sub>16</sub>" S.S Phillips Flat Head Undercut TEK Screws

### Capacity

Supports weights up to 600 lbs.  
4'0" maximum door width

### Standard Sizes

6'8", 7'0", 7'2", 8'0", 10'0"

### Hole Pattern

Symmetrically templated

### Handing

Not required for standard 7'0", 8'0" or 10'0". Specify handing for 6'8" and 7'2" and for most optional features

### Door Edge

Square hinge edge  
For beveled hinge edge use HG310

### Fire Rating

3 hours- hollow metal doors  
90 minutes- hollow metal and composite core wood fire doors  
20 minutes- wood doors



Classified in accordance with UL10C for positive pressure



Fire-rated label

## Optional Features

### Finishes

US32 Bright Stainless Steel (629)  
Scratch-Resistant Powder Coated Paint

### Fasteners

Tamper-proof security screws

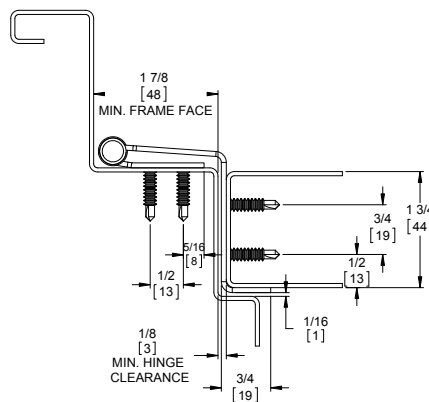
### Other Features

Custom lengths- specify in inches  
Custom hole pattern  
Dutch door hinges - suffix "DDP"  
Hospital tips - suffix "HT"  
Welded End Pins

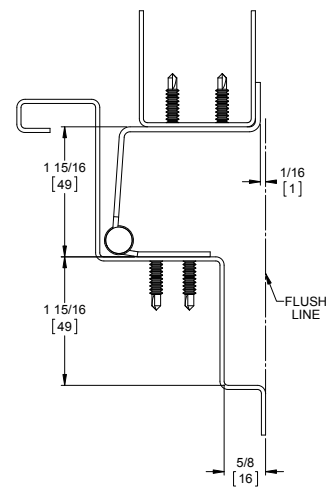
### Electrical Modifications

Current Transfer Prep (door leaf only) - suffix "CTP"  
(EL-EPT-SC Power Transfer Recommended)

This surface applied swing clear version allows doors to meet ADA requirements. The single wrap protects door edges from cart damage.



Door Closed



Door Open 90°

800-824-3018 | [www.pemko.com](http://www.pemko.com)

Check the web site for the up-to-date catalog

Copyright © 2015-2022, ASSA ABLOY Accessories and Door Controls Group, Inc., an ASSA ABLOY Group company. All rights reserved. Reproduction in whole or in part without the express written permission of ASSA ABLOY Accessories and Door Controls Group, Inc. is prohibited.

**PEMKO**  
**ASSA ABLOY**

Experience a safer  
and more open world

# MARKAR HG315 EDGE MOUNT HINGE GUARD

## Standard Features

### Barrel Type Hinge

.187" diameter Stainless Steel pin (rod)  
 Medical bearings  
 Stainless Steel end pins

### Material

Heavy-duty 14 gauge Stainless Steel

### Finishes

US32D Satin Stainless Steel (630)

### Standards

ANSI/BHMA Standard A156.26 Grade 1

### Mounting Hardware

Fasteners concealed when door is closed  
 Custom 12-24 x 1<sup>1</sup>/<sub>16</sub>" S.S Phillips Flat Head Undercut TEK Screws

### Capacity

Supports weights up to 600 lbs.  
 4'0" maximum door width

### Standard Sizes

6'8", 7'0", 7'2", 8'0", 10'0"

### Hole Pattern

Symmetrically templated

### Handing

Not required for standard 7'0", 8'0" or 10'0". Specify handing for 6'8" and 7'2" and for most optional features

### Fire Rating

3 hours- hollow metal doors  
 90 minutes- hollow metal and composite core wood fire doors  
 20 minutes- wood doors



Classified in accordance with UL10C for positive pressure

Fire-rated label

## Optional Features

### Finishes

US32 Bright Stainless Steel (629)  
 Scratch-Resistant Powder Coated Paint

### Fasteners

Tamper-proof security screws

### Other Features

Custom lengths- specify in inches  
 Custom hole pattern  
 Dutch door hinges- suffix "DDP"  
 Hospital tips - suffix "HT"  
 Raised barrel - suffix "RB"  
 Welded end pins  
 Security studs

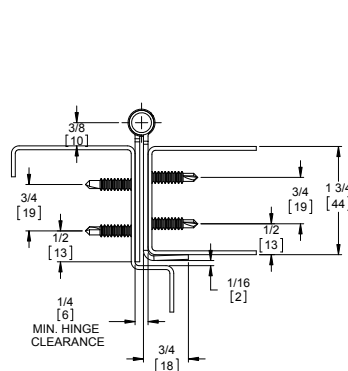
### Electrical Modifications

Adjustable Monitoring Switch - suffix "AMS"  
 Current Transfer Prep - suffix "CTP"  
 Electrical Transfer Access Prep - suffix "ETAP"

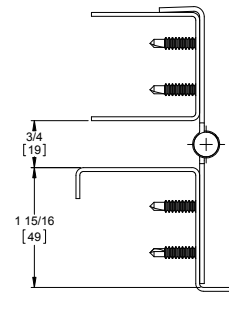
### ElectroLynx®

EL4 (4 wire), EL8 (8 wire), EL12 (12 wire)  
 PoE (9 wire)

Featuring our unique edge guard, this economical hinge prevents objects from being placed between the door and frame as well as protects the door's edge while supporting the door's weight along the entire length of the jamb.



Door Closed



Door Open 180°



Experience a safer and more open world



# MARKAR FS321 FULL SURFACE 3/4" OFFSET HINGE

## Standard Features

### Barrel Type Hinge

.187" diameter Stainless Steel pin (rod)  
Medical bearings  
Stainless Steel end pins

### Material

Heavy-duty 14 gauge Stainless Steel  
Cover - extruded aluminum

### Finishes

US32D Satin Stainless Steel (630)

### Standards

ANSI/BHMA Standard A156.26 Grade 1

### Mounting Hardware

Fasteners concealed underneath  
aluminum cover

1/4-14 x 3/4" Security TORX TEK Screws

### Capacity

Supports weights up to 600 lbs.  
4'0" maximum door width

### Standard Sizes

6'8", 7'0", 7'2", 8'0", 10'0"

brushed aluminum

### Handing

Not required for standard 7'0",  
8'0" or 10'0". Specify handing for  
6'8" and 7'2" and for most optional  
features

### Fire Rating

3 hours- hollow metal doors  
90 minutes- hollow metal and  
composite core wood fire doors  
20 minutes- wood doors



Classified in accordance  
with UL10C for positive  
pressure



Fire-rated label

## Optional Features

### Finishes

US32 Bright Stainless Steel (629)  
Scratch-Resistant Powder Coated  
Paint

### Fasteners

Tamper-proof security screws

### Other Features

Custom lengths- specify in inches

Custom hole pattern

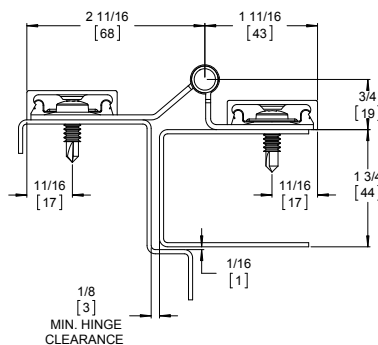
Dutch door hinges- suffix "DDP"

Hospital tips - suffix "HT"

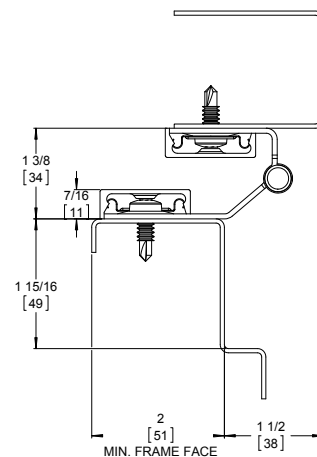
Lead lined covers with 4 lbs. lead  
lining - suffix "LL"

Welded end pins

This surface mount pin & barrel model was developed to work in conjunction with existing 3/4" offset floor closers. Where top or intermediate pivots have worn and the floor closer will remain, the FS321 is the solution to extending the life of the opening.



Door Closed



Door Open 180°

800-824-3018 | [www.pemko.com](http://www.pemko.com)

Check the web site for the up-to-date catalog

Copyright © 2015-2022, ASSA ABLOY Accessories and Door Controls Group, Inc., an ASSA ABLOY Group company. All rights reserved. Reproduction in whole or in part without the express written permission of ASSA ABLOY Accessories and Door Controls Group, Inc. is prohibited.

**PEMKO**  
**ASSA ABLOY**

Experience a safer  
and more open world

# MARKAR HG322 ADJUSTABLE HINGE GUARD

## Standard Features

### Barrel Type Hinge

.187" diameter Stainless Steel pin (rod)

### Medical bearings

Stainless Steel end pins

### Material

Heavy-duty 14 gauge Stainless Steel

### Finishes

US32D Satin Stainless Steel (630)

### Standards

ANSI/BHMA Standard A156.26

Grade 1

### Mounting Hardware

Fasteners concealed when door is closed

Custom 12-24 x 11/16" S.S Phillips Flat Head Undercut TEK Screws

### Capacity

Supports weights up to 600 lbs. 4'0" maximum door width

### Standard Sizes

6'8", 7'0", 7'2", 8'0", 10'0"

### Hole Pattern

Symmetrically templated

### Handing

Not required for standard 7'0", 8'0" or 10'0". Specify handing for 6'8" and 7'2" and for most optional features

### Fire Rating

3 hours- hollow metal doors  
90 minutes- hollow metal and composite core wood fire doors  
20 minutes- wood doors



Classified in accordance with UL10C for positive pressure



Fire-rated label

## Optional Features

### Finishes

US32 Bright Stainless Steel (629)  
Scratch-Resistant Powder Coated Paint

### Fasteners

Tamper-proof security screws  
Adjust-A-Screw™ for correcting frame fit problems up to 3/8"

### Other Features

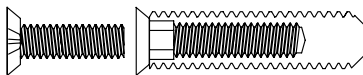
Custom lengths- specify in inches  
Custom hole pattern  
Dutch door hinges- suffix "DDP"  
Hospital tips - suffix "HT"  
Raised barrel - suffix "RB"  
Special sheared leaf  
Welded end pins  
Security studs

### Electrical Modifications

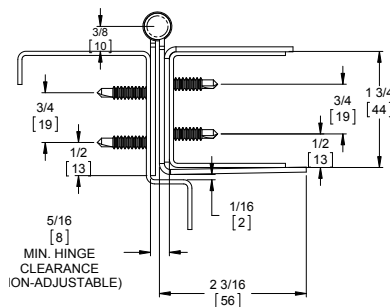
Adjustable Monitoring Switch - suffix "AMS"  
Current Transfer Prep - suffix "CTP"  
Electrical Transfer Access Prep - suffix "ETAP"

### ElectroLynx®

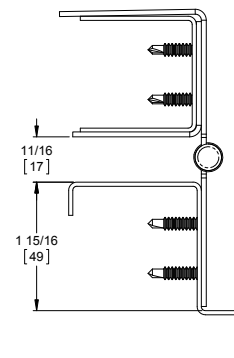
EL4 (4 wire), EL8 (8 wire), EL12 (12 wire)  
PoE (9 wire)



Occasionally the need arises for an extended door wrap, and this need is met with the Markar HG322. All the features of the HG305 Hinge/Guard plus 2" extensions.



Door Closed



Door Open 180°



Experience a safer and more open world

800-824-3018 | [www.pemko.com](http://www.pemko.com)  
Check the web site for the up-to-date catalog

Copyright © 2015-2022, ASSA ABLOY Accessories and Door Controls Group, Inc., an ASSA ABLOY Group company. All rights reserved. Reproduction in whole or in part without the express written permission of ASSA ABLOY Accessories and Door Controls Group, Inc. is prohibited.

# MARKAR HG323 EDGE MOUNT HINGE GUARD

## Standard Features

### Barrel Type Hinge

.187" diameter Stainless Steel pin (rod)  
Medical bearings  
Stainless Steel end pins

### Material

Heavy-duty 14 gauge Stainless Steel

### Finishes

US32D Satin Stainless Steel (630)

### Standards

ANSI/BHMA Standard A156.26  
Grade 1

### Mounting Hardware

Fasteners concealed when door is closed

Custom 12-24 x 11/16" S.S Phillips Flat Head Undercut TEK Screws & 1/4-20 x 1 5/8 Thru Bolt Stainless Steel

### Capacity

Supports weights up to 600 lbs.  
4'0" maximum door width

### Standard Sizes

6'8", 7'0", 7'2", 8'0", 10'0"

### Hole Pattern

Symmetrically templated

### Handing

Not required for standard 7'0", 8'0" or 10'0". Specify handing for 6'8" and 7'2" and for most optional features

### Fire Rating

3 hours- hollow metal doors  
90 minutes- hollow metal and composite core wood fire doors  
20 minutes- wood doors



Classified in accordance with UL10C for positive pressure



Fire-rated label

## Optional Features

### Finishes

US32 Bright Stainless Steel (629)  
Scratch-Resistant Powder Coated Paint

### Fasteners

Tamper-proof security screws

### Other Features

Custom lengths- specify in inches  
Custom hole pattern  
Dutch door hinges - suffix "DDP"  
Hospital tips - suffix "HT"  
Raised barrel - suffix "RB"  
Special sheared leaf

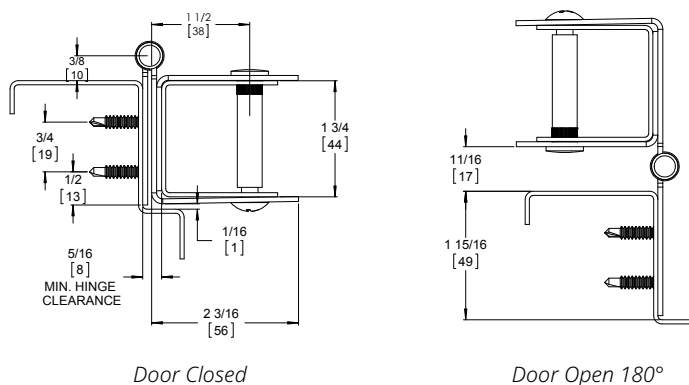
### Electrical Modifications

Adjustable Monitoring Switch - suffix "AMS"  
Current Transfer Prep - suffix "CTP"  
Electrical Transfer Access Prep - suffix "ETAP"

### ElectroLynx®

EL4 (4 wire), EL8 (8 wire), EL12 (12 wire)  
PoE (9 wire)

This extended wrap model allows you to sandwich the door between two leafs of Stainless Steel and through bolt them together. It is ideal where doors have split and you want to save them.



# MARKAR FM/SC325 EDGE MOUNT SWING CLEAR HINGE

## Standard Features

### Barrel Type Hinge

.187" diameter Stainless Steel pin (rod)

### Medical bearings

Stainless Steel end pins

### Material

Heavy-duty 14 gauge Stainless Steel

### Finishes

US32D Satin Stainless Steel (630)

### Standards

ANSI/BHMA Standard A156.26 Grade 1

### Mounting Hardware

Fasteners concealed when door is closed

Custom 12-24 x 1<sup>1</sup>/<sub>16</sub>" S.S Phillips

Flat Head Undercut TEK Screws

### Handing

Not required for standard 7'0", 8'0" or 10'0". Specify handing for 6'8" and 7'2" and for most optional features

### Capacity

Supports weights up to 600 lbs.

4'0" maximum door width

### Standard Sizes

6'8", 7'0", 7'2", 8'0", 10'0"

### Hole Pattern

Symmetrically templated

### Door Edge

Square hinge edge

### Fire Rating

3 hours- hollow metal doors

90 minutes- hollow metal and

composite core wood fire doors

20 minutes- wood doors



Classified in accordance with UL10C for positive pressure



Fire-rated label

## Optional Features

### Finish

US32 Bright Stainless Steel (629)

Scratch-Resistant Powder

Coated Paint

### Other Features

Custom lengths- specify in inches

Custom hole pattern

Dutch door hinges - suffix "DDP"

Hospital tips - suffix "HT"

Welded end pins

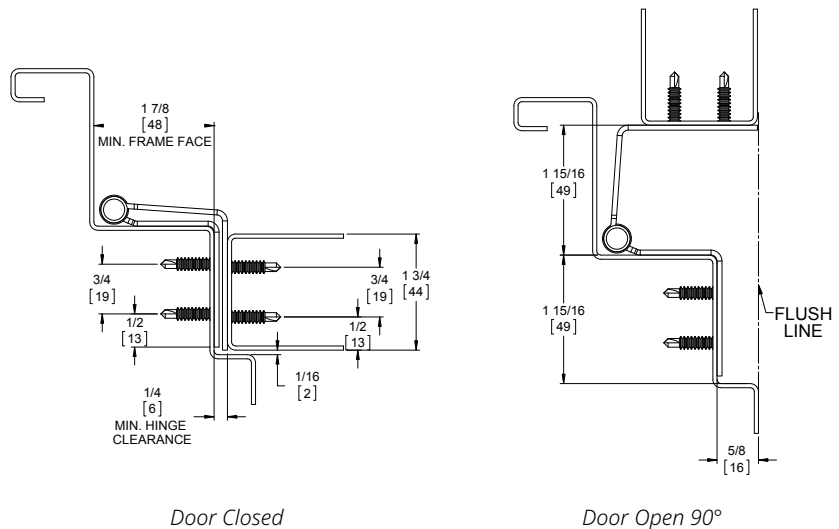
### Electrical Modifications

Adjustable Monitoring Switch - suffix "AMS"

Current Transfer Prep - suffix "CTP"

(EL-EPT-SC Power Transfer Recommended)

This hinge is used to ensure that a door opened to a 90-degree angle is removed from the opening. This hinge will mount on a 1<sup>7</sup>/<sub>8</sub>" face, and is especially useful for ADA upgrade work.



Experience a safer and more open world

800-824-3018 | www.pemko.com  
Check the web site for the up-to-date catalog

Copyright © 2015-2022, ASSA ABLOY Accessories and Door Controls Group, Inc., an ASSA ABLOY Group company. All rights reserved. Reproduction in whole or in part without the express written permission of ASSA ABLOY Accessories and Door Controls Group, Inc. is prohibited.

# MARKAR HG326 SWING CLEAR ADJUSTABLE HINGE GUARD

## Standard Features

### Barrel Type Hinge

.187" diameter Stainless Steel pin (rod)  
 Medical bearings  
 Stainless Steel end pins

### Material

Heavy-duty 14 gauge Stainless Steel

### Finishes

US32D Satin Stainless Steel (630)

### Standards

ANSI/BHMA Standard A156.26  
 Grade 1

### Mounting Hardware

Custom 12-24 x 1 1/16" S.S Phillips Flat Head Undercut TEK Screws

### Capacity

Supports weights up to 600 lbs.  
 4'0" maximum door width

### Standard Sizes

6'8", 7'0", 7'2", 8'0", 10'0"

### Hole Pattern

Symmetrically templated

### Door Edge

Square hinge edge  
 Recommend Adjust-A-Screw for beveled hinge edge

### Handing

Not required for standard 7'0", 8'0" or 10'0". Specify handing for 6'8" and 7'2" and for most optional features

### Fire Rating

3 hours- hollow metal doors  
 90 minutes- hollow metal and composite core wood fire doors  
 20 minutes- wood doors



Classified in accordance with UL10C for positive pressure



Fire-rated label

## Optional Features

### Finishes

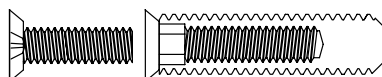
US32 Bright Stainless Steel (629)  
 Scratch-Resistant Powder Coated Paint

### Other Features

Custom lengths- specify in inches  
 Custom hole pattern  
 Dutch door hinges- suffix "DDP"  
 Hospital tips - suffix "HT"  
 Welded end pins

### Fasteners

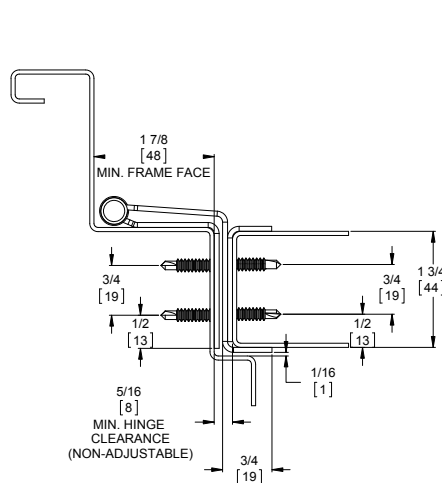
Tamper-proof security screws  
 Adjust-A-Screw™ for correcting frame fit problems up to 3/8"



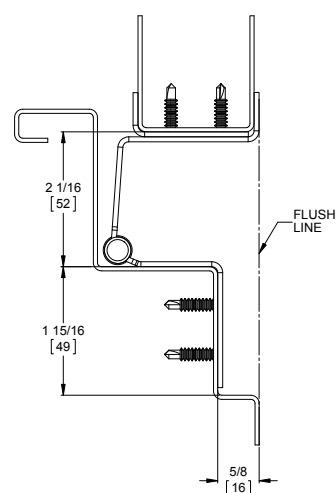
### Electrical Modifications

Current Transfer Prep - suffix "CTP"  
 (EL-EPT-SC Power Transfer Recommended)

The incorporated edge guard protects the door from unsightly dents and gouges while also protecting the hinge from vandalism.



Door Closed



Door Open 90°

800-824-3018 | [www.pemko.com](http://www.pemko.com)

Check the web site for the up-to-date catalog

Copyright © 2015-2022, ASSA ABLOY Accessories and Door Controls Group, Inc., an ASSA ABLOY Group company. All rights reserved. Reproduction in whole or in part without the express written permission of ASSA ABLOY Accessories and Door Controls Group, Inc. is prohibited.

**PEMKO**  
**ASSA ABLOY**

Experience a safer  
 and more open world

# MARKAR FM327 EDGE MOUNT SAFETY HINGE

## Standard Features

### Barrel Type Hinge

.187" diameter Stainless Steel pin (rod)  
 Medical bearings  
 Stainless Steel end pins

### Material

Heavy-duty 14 gauge Stainless Steel

### Finishes

US32D Satin Stainless Steel (630)

### Standards

ANSI/BHMA Standard A156.26 Grade 1

### Mounting Hardware

Custom 12-24 x 1<sup>1</sup>/<sub>16</sub>" S.S Phillips Flat  
 Head Undercut TEK Screws

### Capacity

Supports weights up to 600 lbs.  
 4'0" maximum door width

### Standard Sizes

6'8", 7'0", 7'2", 8'0", 10'0"

### Hole Pattern

Symmetrically templated

### Handing

Not required for standard 7'0",  
 8'0" or 10'0". Specify handing for  
 6'8" and 7'2" and for most optional  
 features

### Door Edge

Square hinge edge

### Fire Rating

This hinge is not fire rated

## Optional Features

### Finishes

US32 Bright Stainless Steel (629)

Scratch-Resistant Powder

Coated Paint

### Other Features

Custom lengths- specify in inches

Custom hole pattern

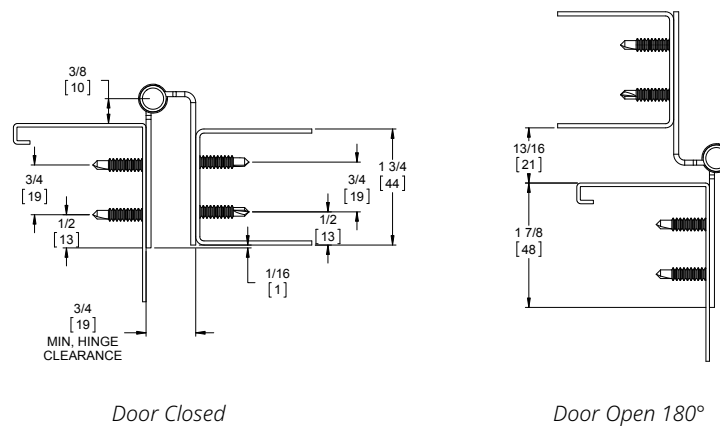
Dutch door hinges - suffix "DDP"

Welded end pins

### Fasteners

Tamper-proof security screws

This unique design prevents small fingers from getting pinched in the door. It is ideal for elementary schools, day care, childcare, and nursing home facilities. This full-length continuous pin & barrel hinge also provides privacy by blocking sight lines into rooms. The hinge must be used with a cased open type frame.



Experience a safer  
 and more open world

800-824-3018 | [www.pemko.com](http://www.pemko.com)  
 Check the web site for the up-to-date catalog

Copyright © 2015-2022, ASSA ABLOY Accessories and Door Controls Group, Inc., an ASSA ABLOY Group company. All rights reserved. Reproduction in whole or in part without the express written permission of ASSA ABLOY Accessories and Door Controls Group, Inc. is prohibited.

# MARKAR HG329 SWING CLEAR HINGE GUARD FOR SQUARE EDGE DOOR

## Standard Features

### Barrel Type Hinge

.187" diameter Stainless Steel pin (rod)

### Medical bearings

Stainless Steel end pins

### Material

Heavy-duty 14 gauge Stainless Steel

### Finishes

US32D Satin Stainless Steel (630)

### Standards

ANSI/BHMA Standard A156.26 Grade 1

### Mounting Hardware

Fasteners concealed when door is closed

Custom 12-24 x 1<sup>1</sup>/<sub>16</sub>" S.S Phillips Flat

Head Undercut TEK Screws

### Capacity

Supports weights up to 600 lbs.

4'0" maximum door width

### Standard Sizes

6'8", 7'0", 7'2", 8'0", 10'0"

### Door Edge

Square hinge edge

For beveled hinge edge use HG326

### Hole Pattern

Symmetrically templated

Specify handing

### Fire Rating

3 hours- hollow metal doors

90 minutes- hollow metal and composite core wood fire doors

20 minutes- wood doors



Classified in accordance with UL10C for positive pressure

Fire-rated label

## Optional Features

### Finishes

US32 Bright Stainless Steel (629)

Scratch-Resistant Powder

Coated Paint

### Other Features

Custom lengths- specify in inches

Custom hole pattern

Dutch door hinges- suffix "DDP"

Hospital tips - suffix "HT"

Welded end pins

### Fasteners

Tamper-proof security screws

### Electrical Modifications

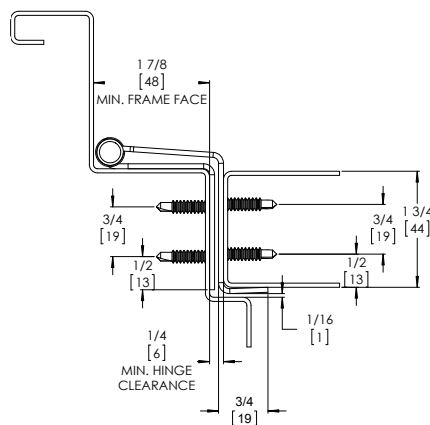
Adjustable Monitoring Switch - suffix

"AMS" Current Transfer Prep - suffix "CTP"

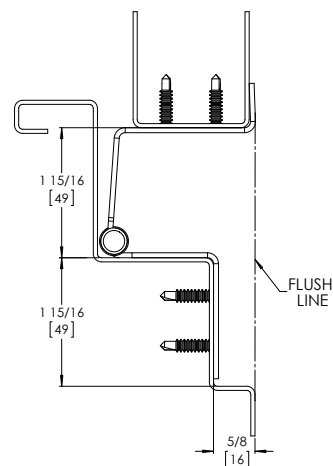
(EL-EPT-SC Power Transfer

Recommended)

The incorporated edge guard protects the door from unsightly dents and gouges while also protecting the hinge from vandalism.



Door Closed



Door Open 90°

800-824-3018 | [www.pemko.com](http://www.pemko.com)

Check the web site for the up-to-date catalog

Copyright © 2015-2022, ASSA ABLOY Accessories and Door Controls Group, Inc., an ASSA ABLOY Group company. All rights reserved. Reproduction in whole or in part without the express written permission of ASSA ABLOY Accessories and Door Controls Group, Inc. is prohibited.

**PEMKO**  
**ASSA ABLOY**

Experience a safer  
and more open world



# MARKAR FM338 EDGE MOUNT HINGE (1<sup>3</sup>/<sub>8</sub>" THICK DOOR)

## Standard Features

### Barrel Type Hinge

.187" diameter Stainless Steel pin (rod)  
 Medical bearings  
 Stainless Steel end pins

### Material

Heavy-duty 14 gauge Stainless Steel  
 Finishes  
 US32D Satin Stainless Steel (630)

### Standards

ANSI/BHMA Standard A156.26 Grade 1

### Hole Pattern

Symmetrically templated

### Mounting Hardware

Fasteners concealed when door is closed  
 Custom 12-24 x 1<sup>1</sup>/<sub>16</sub>" S.S Phillips Flat Head Undercut TEK Screws

### Capacity

Supports weights up to 300 lbs.  
 4'0" maximum door width

### Standard Sizes

6'8", 7'0", 7'2", 8'0", 10'0"

### Handing

Handing not required on standard hinges. Specify handing when ordering a hinge with modification

### Fire Rating

3 hours- hollow metal doors  
 90 minutes- hollow metal and composite core wood fire doors  
 20 minutes- wood doors



Classified in accordance with UL10C for positive pressure  
 Fire-rated label

## Optional Features

### Finishes

Scratch-Resistant Powder Coated Paint

### Fasteners

Tamper-proof security screws

### Other Features

Custom lengths- specify in inches  
 Custom hole pattern  
 Dutch door hinges- suffix "DDP"  
 Hospital tips - suffix "HT"  
 Raised barrel - suffix "RB"  
 Welded end pins  
 Security studs

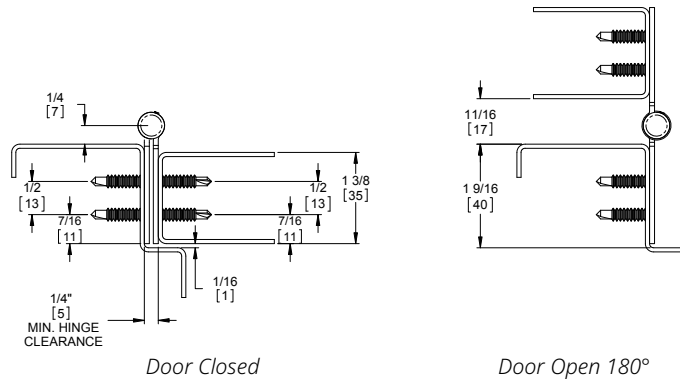
### Electrical Modifications

Adjustable Monitoring Switch - suffix "AMS"  
 Electrical Transfer Access Prep - suffix "ETAP"

### ElectroLynx®

EL4 (4 wire), EL8 (8 wire), EL12 (12 wire)  
 PoE (9 wire)

This edge-mounted pin & barrel hinge is used on many of today's high traffic, high abuse doors. This hinge is designed to work with 1<sup>3</sup>/<sub>8</sub>" thick doors



Experience a safer and more open world

800-824-3018 | www.pemko.com  
 Check the web site for the up-to-date catalog

Copyright © 2015-2022, ASSA ABLOY Accessories and Door Controls Group, Inc., an ASSA ABLOY Group company. All rights reserved. Reproduction in whole or in part without the express written permission of ASSA ABLOY Accessories and Door Controls Group, Inc. is prohibited.

# MARKAR FM344 EDGE MOUNT HINGE

## Standard Features

### Barrel Type Hinge

.187" diameter Stainless Steel pin (rod)  
 Medical bearings  
 Stainless Steel end pins

### Material

Heavy-duty 14 gauge Stainless Steel

### Finishes

US32D Satin Stainless Steel (630)

### Standards

ANSI/BHMA Standard A156.26 Grade 1

### Hole Pattern

Symmetrically templated

### Mounting Hardware

Fasteners concealed when door is closed  
 Custom 12-24 x <sup>11</sup>/<sub>16</sub>" S.S Phillips Flat Head Undercut TEK Screws

### Capacity

Supports weights up to 300 lbs.  
 4'0" maximum door width

### Standard Sizes

6'8", 7'0", 7'2", 8'0", 10'0"

### Handing

Handing not required on standard hinges. Specify handing when ordering a hinge with modification

### Fire Rating

3 hours- hollow metal doors 90 minutes- hollow metal and composite core wood fire doors  
 20 minutes- wood doors



Classified in accordance with UL10C for positive pressure



Fire-rated label

### Windstorm

Evaluated in accordance with TAS 201-94, TAS 202-94, TAS 203-94, ASTM E330, ASTM E1886, ASTM E1996 and ANSI A250.13

## Optional Features

### Finishes

Scratch-Resistant Powder Coated Paint

### Fasteners

Tamper-proof security screws

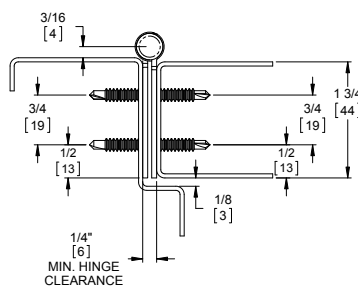
### Other Features

Custom lengths- specify in inches  
 Custom hole pattern  
 Dutch door hinges- suffix "DDP"  
 Hospital tips - suffix "HT"  
 Raised barrel - suffix "RB"  
 Welded end pins  
 Security studs

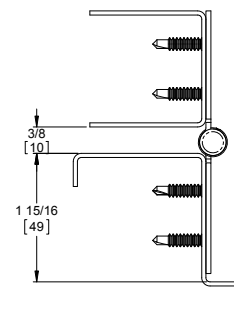
### Electrical Modifications

Adjustable Monitoring Switch - suffix "AMS"  
 Current Transfer Prep - suffix "CTP"  
 Electrical Transfer Access Prep - suffix "ETAP"  
**ElectroLynx®**  
 EL4 (4 wire), EL8 (8 wire), EL12 (12 wire)  
 PoE (9 wire)

This edge-mounted pin & barrel hinge is used on many of today's high traffic, high abuse doors. This hinge is great for 1 3/4" thick door where the hinge barrel is close to the frame and door face



Door Closed



Door Open 180°

# MARKAR EG308 ADJUSTABLE EDGE GUARD

## Standard Features

**Material**  
Heavy-duty 16 gauge stainless steel

**Finishes**  
US32D Satin Stainless Steel (630)

**Mounting Hardware**  
Fasteners concealed when door is closed

Included fasteners are:  
Custom 12-24 x 1<sup>1</sup>/<sub>16</sub>" S.S Phillips Flat Head Undercut TEK Screws  
Custom 12-24 x 1<sup>1</sup>/<sub>2</sub>" S.S. Phillips Flat Head Particle Board Screws  
Order form required, available

online.

**Standard Sizes**  
6'8", 7'0", 7'2", 8'0", 10'0"

**Door Edge**  
Specify square or beveled edge when ordering (beveled edge standard)

**Fire Rating**  
3 hours- hollow metal doors  
90 minutes- hollow metal and composite  
20 minutes- wood doors



**Fire-rated label**

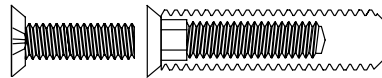
MAY NOT APPLY TO ALL WOOD DOORS. PLEASE CONSULT FACTORY FOR SPECIFIC WOOD DOOR APPLICATIONS.

## Optional Features

**Finish**  
US32 Bright Stainless Steel (629)  
Scratch-Resistant Powder Coated Paint

**Hardware Cutouts**  
(Edge Guard order form must be filled out)  
Flush bolts  
ASA strike  
Deadlock strike and latch  
86 edge  
Hospital latch  
161 cutout

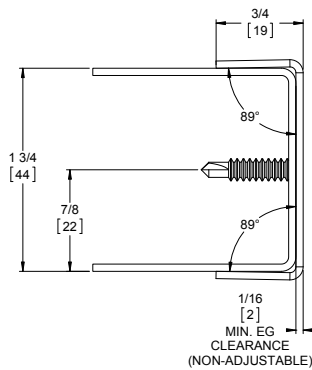
**Fasteners**  
Tamper-proof security screws  
Adjust-A-Screw™ for correcting frame fit problems up to 3/8"



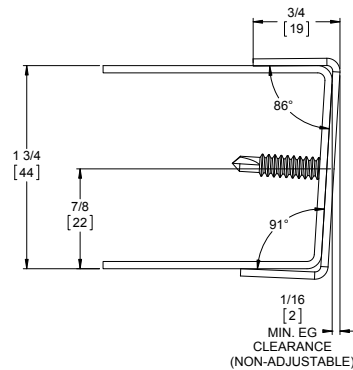
**Other Features**  
Custom lengths - specify in inches  
Staggered hole pattern for lead lined doors

**Custom cutouts**  
Dutch door application - suffix "DDP"

This fire-labeled edge guard is used in conjunction with the HG305 Hinge/Guard for a balanced aesthetic look. It also provides protection for the leading edge of the door.



Square edge door



Bevel edge door



Experience a safer and more open world

800-824-3018 | [www.pemko.com](http://www.pemko.com)  
Check the web site for the up-to-date catalog

Copyright © 2015-2022, ASSA ABLOY Accessories and Door Controls Group, Inc., an ASSA ABLOY Group company. All rights reserved. Reproduction in whole or in part without the express written permission of ASSA ABLOY Accessories and Door Controls Group, Inc. is prohibited.

# MARKAR EGC308 SINGLE RETURN EDGE GUARD

## Standard Features

### Material

Heavy-duty 16 gauge stainless steel

### Finishes

US32D Satin Stainless Steel (630)

### Mounting Hardware

Fasteners concealed when door is closed

Included fasteners are:

Custom 12-24 x 1<sup>1</sup>/<sub>16</sub>" S.S Phillips

Flat Head Undercut TEK Screws

Custom 12-24 x 1<sup>1</sup>/<sub>2</sub>" S.S. Phillips

Flat Head Particle Board Screws

Order form required, available online.

### Standard Sizes

6'8", 7'0", 7'2", 8'0", 10'0"

### Door Edge

Specify square or beveled edge when ordering (beveled edge standard)

### Fire Rating

3 hours- hollow metal doors  
90 minutes- hollow metal and composite  
20 minutes- wood doors



Fire-rated label

MAY NOT APPLY TO ALL WOOD DOORS. PLEASE CONSULT FACTORY FOR SPECIFIC WOOD DOOR APPLICATIONS.

## Optional Features

### Finish

US32 Bright Stainless Steel (629)

Scratch-Resistant Powder Coated Paint

### Hardware Cutouts

(Edge Guard order form must be filled out)

Flush bolts

ASA strike

Deadlock strike and latch

86 edge

Hospital latch

161 cutout

### Fasteners

Tamper-proof security screws

### Other Features

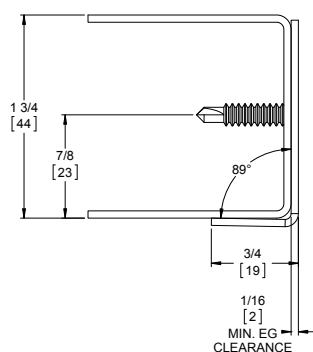
**Custom lengths - specify in inches**

Staggered hole pattern for lead lined doors

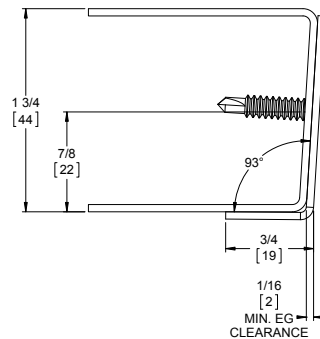
### Custom cutouts

Dutch door application - suffix "DDP"

This fire-labeled edge guard works with the HG315 Hinge/Guard. It provides protection to the leading edge of the door, while maintaining the door's aesthetic appearance in the closed position.



Square edge door



Bevel edge door

# MARKAR EGT308 ADJUSTABLE EDGE GUARD WITH ASTRAGAL

## Standard Features

### Material

Heavy-duty 16 gauge stainless steel

### Finishes

US32D Satin Stainless Steel (630)

### Mounting Hardware

Fasteners concealed when door is closed

Included fasteners are:

Custom 12-24 x 1<sup>1</sup>/<sub>16</sub>" S.S. Phillips Flat Head Undercut TEK Screws

Custom 12-24 x 1<sup>1</sup>/<sub>2</sub>" S.S. Phillips Flat Head Particle Board Screws

Order form required, available online.

### Standard Sizes

6'8", 7'0", 7'2", 8'0", 10'0"

### Door Edge

Specify square or beveled edge when ordering (beveled edge standard)

### Fire Rating

3 hours- hollow metal doors

90 minutes- hollow metal and composite

20 minutes- wood doors



Fire-rated label

MAY NOT APPLY TO ALL WOOD DOORS. PLEASE CONSULT FACTORY FOR SPECIFIC WOOD DOOR APPLICATIONS.

## Optional Features

### Finish

US32 Bright Stainless Steel (629)

Scratch-Resistant Powder Coated Paint

### Hardware Cutouts

(Edge Guard order form must be filled out)

Flush bolts

ASA strike

Deadlock strike and latch

86 edge

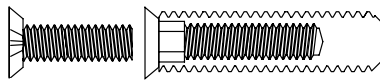
Hospital latch

161 cutout

### Fasteners

Tamper-proof security screws

Adjust-A-Screw™ for correcting frame fit problems up to 3/8"



### Other Features

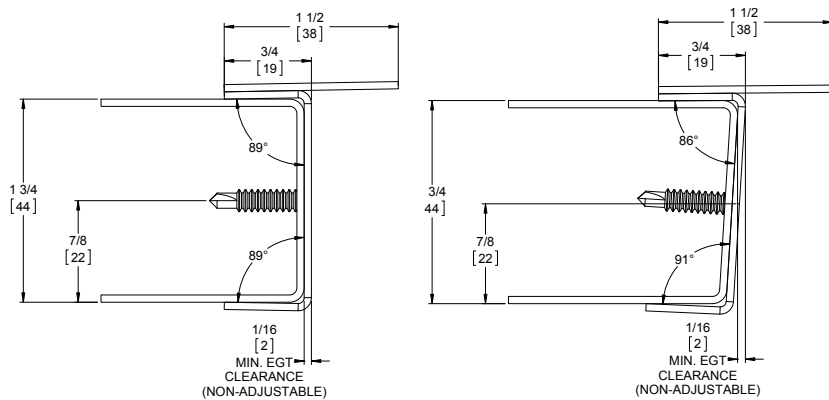
Custom lengths - specify in inches  
Staggered hole pattern for lead lined doors

Custom cutouts

Dutch door application - suffix "DDP"

Lead lined astragal with 4 lbs. lead lining - suffix "LL"

The integral overlapping astragal of the EGT308 provides additional security by protecting the latch protector. It is ideal for exterior pairs of doors or doors that require added protection from vandalism.



Square edge door

Bevel edge door



Experience a safer and more open world

800-824-3018 | www.pemko.com  
Check the web site for the up-to-date catalog

Copyright © 2015-2022, ASSA ABLOY Accessories and Door Controls Group, Inc., an ASSA ABLOY Group company. All rights reserved. Reproduction in whole or in part without the express written permission of ASSA ABLOY Accessories and Door Controls Group, Inc. is prohibited.

# MARKAR 200 SERIES CARBON STEEL PIN & BARREL CONTINUOUS HINGES

## Short Form Architectural Specification:

Continuous hinges shall be full height piano-type hinge providing full height door support.

- Supports weights up to 600 lbs. 4'0" maximum door width
- Material to be 14 gauge 1012 carbon steel
- .187" diameter stainless steel pin (rod)
- Each knuckle 2", including nylon bearing at each separation for a quiet, smooth, self-lubricating operation
- Finish: Zinc Plated  
Optional Finish: Scratch-Resistant Powder Coated Paint
- All hinges shall be furnished with manufacturer's recommended hardware pack per specific model application
- Must use undercut head screws
- Must be able to carry Warnock Hersey Int. or UL fire rated doors and frames up to 3 hours
- Hinges shall meet ANSI/BHMA Standard A 156.26 Grade 1
- Symmetrically templated hole pattern

*Note: 25-Year Warranty on all Continuous Hinges*

*Note: Fire label for doors and frames should be placed on the header and top rail of fire rated doors and frames*

## MARKAR FM200 EDGE MOUNT HINGE

### Standard Features

#### Barrel Type Hinge

.187" diameter stainless steel pin (rod)  
Medical bearings  
Stainless steel end pins

#### Material

Heavy-duty 14 gauge 1012 carbon steel

#### Finishes

Zinc Plated

#### Standards

ANSI/BHMA Standard A156.26 Grade 1

#### Mounting Hardware

No exposed mounting fasteners  
Custom 12-24 x 1<sup>1</sup>/<sub>16</sub>" S.S Phillips  
Flat Head Undercut TEK Screws

#### Capacity

Supports weights up to 600lbs.  
4'0" maximum door width

#### Standard Sizes


6'8", 7'0", 7'2", 8'0", 10'0"

#### Handing

Handing not required on standard hinges. Specify handing when ordering a hinge with modification

#### Fire Rating

3 hours- hollow metal doors  
90 minutes- hollow metal and composite core wood fire doors  
20 minutes- wood doors

Classified in accordance with  
 UL10C for positive pressure  
Fire-rated label



#### Windstorm

Evaluated in accordance with TAS 201-14, TAS 202-14, TAS 203-14, ASTM E330, ASTM E1886, ASTM E1996 and ANSI A250.13

### Optional Features

#### Finish

Scratch-Resistant Powder Coated Paint

#### Fasteners

Tamper-proof security screws

#### Other Features

Custom lengths - specify in inches  
Custom hole pattern  
Dutch door hinges - suffix "DDP"  
Hospital tips - suffix "HT"  
Raised barrel - suffix "RB"

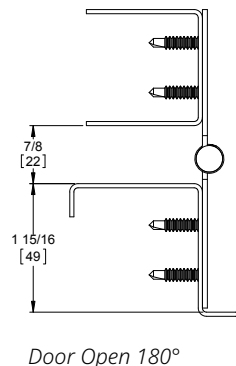
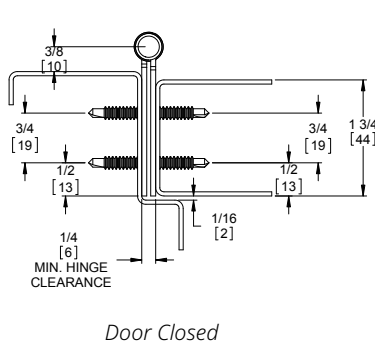
#### Electrical Modifications

Current Transfer Prep (frame leaf only) - suffix "CTP"

#### ElectroLynx®

EL4 (4 wire), EL8 (8 wire), EL12 (12 wire)  
PoE (9 wire)

This edge-mounted pin & barrel hinge is used on many traffic, high abuse interior doors. The hinge works well in locations that used anchor hinges, pivot reinforced hinges, or thrust pivot unit and hinge sets. This hinge saves on special door and frame preparation charges. It can be used on both fire labeled and non-labeled openings.



800-824-3018 | [www.pemko.com](http://www.pemko.com)

Check the web site for the up-to-date catalog

Copyright © 2015-2022, ASSA ABLOY Accessories and Door Controls Group, Inc., an ASSA ABLOY Group company. All rights reserved. Reproduction in whole or in part without the express written permission of ASSA ABLOY Accessories and Door Controls Group, Inc. is prohibited.

**PEMKO**  
**ASSA ABLOY**

Experience a safer  
and more open world

# MARKAR FS201 1/8" INSET FULL SURFACE HINGE

## Standard Features

### Barrel Type Hinge

.187" diameter stainless steel pin (rod)  
 Medical bearing  
 Stainless steel end pins

### Material

Heavy-duty 14 gauge 1012 carbon steel

### Finishes

Zinc Plated

### Standards

ANSI/BHMA Standard A156.26 Grade 1

### Mounting Hardware

No exposed mounting fasteners  
 1/4"-14 x 3/4 Security TORX TEK Screws

### Capacity

Supports weights up to 600lbs.  
 4'0" maximum door width

### Standard Sizes

6'8", 7'0", 7'2", 8'0", 10'0"

### Handing

Not required for standard 7'0", 8'0" or 10'0". Specify handing for 6'8" and 7'2" and for most optional features

### Fire Rating

3 hours- hollow metal doors  
 90 minutes- hollow metal and composite core wood fire doors  
 20 minutes- wood doors



Classified in accordance with UL10C for positive pressure



Fire-rated label

## Optional Features

### Finish

Scratch-Resistant Powder Coated Paint

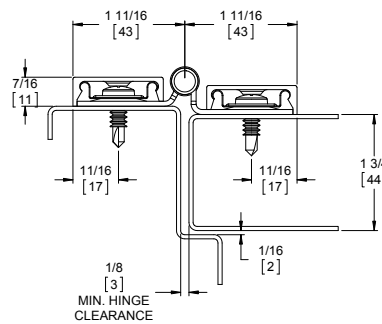
### Fasteners

1 5/8" S.S. sleeve bolts  
 Tamper-proof security screws

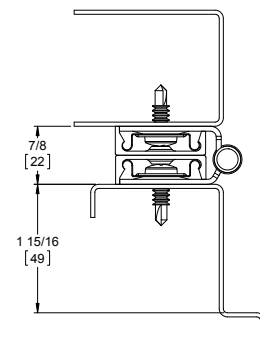
### Other Features

Custom lengths - specify in inches  
 Custom hole pattern  
 Dutch door hinges - suffix "DDP"  
 Hospital tips - suffix "HT"  
 Lead-lined cover with 4 lbs. lead lining - suffix "LL"

This surface-mounted pin & barrel continuous hinge can be used to repair and replace existing hinges on both fire-labeled and non-labeled doors that have very tight clearances. The hinge has a built-in 1/8" inset to assist in weather seal and sound barrier areas.



Door Closed



Door Open 180°



Experience a safer and more open world

800-824-3018 | [www.pemko.com](http://www.pemko.com)  
 Check the web site for the up-to-date catalog

Copyright © 2015-2022, ASSA ABLOY Accessories and Door Controls Group, Inc., an ASSA ABLOY Group company. All rights reserved. Reproduction in whole or in part without the express written permission of ASSA ABLOY Accessories and Door Controls Group, Inc. is prohibited.



# MARKAR FS202 FULL SURFACE FLUSH MOUNT HINGE

## Standard Features

### Barrel Type Hinge

.187" diameter stainless steel pin (rod)  
 Medical bearing  
 Stainless steel end pins

### Material

Heavy-duty 14 gauge 1012 carbon steel

### Finishes

Zinc Plated

### Standards

ANSI/BHMA Standard A156.26 Grade 1

### Mounting Hardware

No exposed mounting fasteners  
 1/4-14 x 3/4 Security TORX  
 TEK Screws

### Capacity

Supports weights up to 600lbs.  
 4'0" maximum door width

### Standard Sizes

6'8", 7'0", 7'2", 8'0", 10'0"

Decorative Fastener Covers  
 Aluminum

### Handing

Not required for standard 7'0", 8'0" or 10'0". Specify handing for 6'8" and 7'2" and for most optional features

### Fire Rating

3 hours- hollow metal doors  
 90 minutes- hollow metal and composite core wood fire doors  
 20 minutes- wood doors



Classified in accordance with UL10C for positive pressure



Fire-rated label

## Optional Features

### Finish

Scratch-Resistant Powder Coated Paint

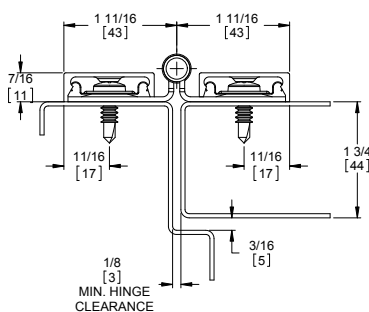
### Fasteners

1 5/8" S.S. sleeve bolts  
 Tamper-proof security screws

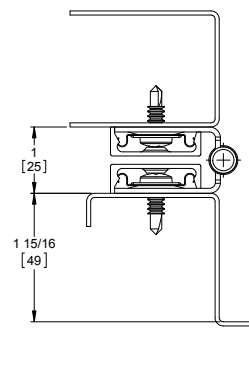
### Other Features

Custom lengths - specify in inches  
 Custom hole pattern  
 Dutch door hinges - suffix "DDP"  
 Hospital tips - suffix "HT"  
 Lead-lined cover with 4 lbs. lead lining - suffix "LL"

For flush doors. This surface-mounted pin & barrel continuous hinge can be used to repair and replace existing hinges on both fire-labeled and non-labeled doors that have very tight clearances.



Door Closed



Door Open 180°

# MARKAR HS203 HALF SURFACE

## Standard Features

### Barrel Type Hinge

.187" diameter stainless steel pin (rod)  
 Medical bearings  
 Stainless steel end pins

### Material

Heavy-duty 14 gauge 1012 carbon steel  
 Cover - extruded aluminum

### Finishes

Zinc Plated  
 Cover - Mill Finish

### Standards

ANSI/BHMA Standard A156.26 Grade 1

### Mounting Hardware

No exposed mounting fasteners  
 Custom 12-24 x 11/16" S.S Phillips Flat Head Undercut TEK Screws  
 1/4-14 x 3/4 Security TORX TEK Screws

### Capacity

Supports weights up to 600lbs.  
 4'0" maximum door width

### Standard Sizes

6'8", 7'0", 7'2", 8'0", 10'0"

### Hole Pattern

Symmetrically templated

### Handing

Not required for standard 7'0", 8'0" or 10'0". Specify handing for 6'8" and 7'2" and for most optional features

### Fire Rating

3 hours- hollow metal doors  
 90 minutes- hollow metal and composite  
 20 minutes- wood doors



Classified in accordance with UL10C for positive pressure



Fire-rated label

## Optional Features

### Finishes

Scratch-Resistant Powder Coated Paint

### Fasteners

1 5/8" steel sleeve bolts  
 Tamper-proof security screws

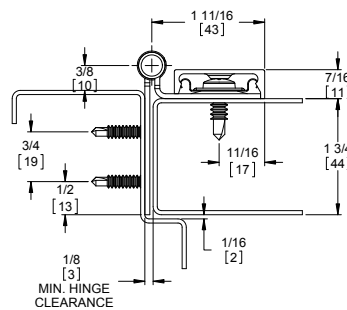
### Other Features

Custom lengths - specify in inches  
 Custom hole pattern  
 Dutch door hinges - suffix "DDP"  
 Hospital tips - suffix "HT"  
 Raised barrel - suffix "RB"  
 Lead-lined cover with 4 lbs. lead lining - suffix "LL"

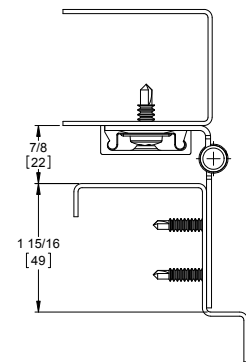
### Electrical Modifications

Current Transfer Prep (frame leaf only) - suffix "CTP"

This half-surface pin & barrel continuous hinge can be used to repair and replace existing hinges on both fire-labeled and non-labeled openings. The hinge fits into the gap left after standard butt hinges are removed. It can assist in reversing the handing of a door, or to reverse the swing of a door hung in an evenly-rabbetted frame. (Please contact the factory for instructions for unevenly-rabbetted frames.)



Door Closed



Door Open 180°



Experience a safer and more open world

800-824-3018 | [www.pemko.com](http://www.pemko.com)  
 Check the web site for the up-to-date catalog

Copyright © 2015-2022, ASSA ABLOY Accessories and Door Controls Group, Inc., an ASSA ABLOY Group company. All rights reserved. Reproduction in whole or in part without the express written permission of ASSA ABLOY Accessories and Door Controls Group, Inc. is prohibited.

# MARKAR HM204 HALF MORTISE HINGE

## Standard Features

### Barrel Type Hinge

.187" diameter stainless steel pin (rod)  
Medical bearings  
Stainless steel end pins

### Material

Heavy-duty 14 gauge 1012 carbon steel  
Cover - extruded aluminum

### Finishes

Zinc Plated  
Cover - Mill Finish

### Standards

ANSI/BHMA Standard A156.26  
Grade 1

### Mounting Hardware

Fasteners concealed when door is closed  
Custom 12-24 x  $1\frac{1}{16}$ " S.S Phillips Flat Head Undercut TEK Screws  
 $\frac{1}{4}$ -14 x  $\frac{3}{4}$  Security TORX TEK Screws

### Capacity

Supports weights up to 600lbs.  
4'0" maximum door width

### Standard Sizes

6'8", 7'0", 7'2", 8'0", 10'0"

### Hole Pattern

Symmetrically templated

### Handing

Not required for standard 7'0", 8'0" or 10'0". Handing required for 6'8" and 7'2" and for most optional features listed

### Fire Rating

3 hours- hollow metal doors  
90 minutes- hollow metal and composite  
20 minutes- wood doors



Classified in accordance with UL10C for positive pressure



Fire-rated label

## Optional Features

### Finishes

Scratch-Resistant Powder Coated Paint

### Fasteners

Tamper-proof security screws

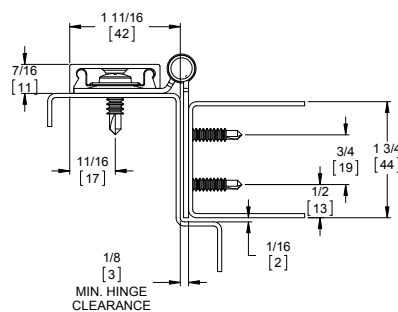
### Other Features

Custom lengths- specify in inches  
Custom hole pattern  
Dutch door hinges- suffix "DDP"  
Hospital tips - suffix "HT"  
Raised barrel - suffix "RB"  
Welded end pins

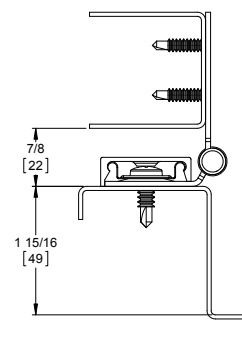
### Electrical Modifications

Current Transfer Prep (door leaf only) - suffix "CTP"

This pin & barrel type hinge is used on wooden doors to hide splits, chips and dents from traffic abuse. The surface mounted frame leaf allows for easy retrofit installation.



Door Closed



Door Open 180°

# MARKAR 100 SERIES ALUMINUM PIN & BARREL CONTINUOUS HINGES

## Short Form Architectural Specification:

Continuous hinges shall be full height piano-type hinge providing full height door support.

- Supports weights up to 600 lbs. 4'0" maximum door width
- Material to be extruded aluminum 6063-T6 alloy
- .187" diameter stainless pin (rod)
- Each knuckle 2", including nylon bearing at each separation for a quiet, smooth, self-lubricating operation
- Finish: Clear Anodized (628), Dark Bronze Anodized (313)  
Optional Finish: Light Bronze Anodized (311), Black Anodized (315), Scratch-Resistant Powder Coated Paint. Other finishes available upon request.
- All hinges shall be furnished with manufacturer's recommended hardware pack per specific model application
- Exterior barrel diameter .515" (1/2")
- Material thickness less than .125"
- Material weight will be no less than 1.5 lbs. per foot
- Hinges shall meet ANSI/BHMA Standard A 156.26 Grade 2
- Symmetrically templated hole pattern

*Note: 25-Year Warranty on all Continuous Pin & Barrel Hinges*

## MARKAR FM100 EDGE MOUNT HINGE

### Standard Features

#### Barrel Type Hinge

.187" diameter stainless steel pin (rod)  
Medical bearings  
Aluminum end pins

#### Material

6063-T6 aluminum alloy

#### Finishes

Clear Anodized (628)  
Dark Bronze Anodized (313)

#### Standards

ANSI/BHMA Standard A156.26  
Grade 2

#### Mounting Hardware

Fasteners concealed when door is closed  
Custom 12-24 x 1 1/16" S.S Phillips Flat  
Head Undercut TEK Screws

#### Capacity

Supports weights up to 600lbs.  
4'0" maximum door width

#### Standard Sizes

6'8", 7'0", 7'2", 8'0"

#### Hole Pattern

Symmetrically templated

#### Handing

Handing not required on standard hinges. Specify handing when ordering a hinge with modification

#### Windstorm

Evaluated in accordance with TAS 201-14, TAS 202-14, TAS 203-14, ASTM E330, ASTM E1886, ASTM E1996 and ANSI A250.13.

### Optional Features

#### Finishes

Light Bronze Anodized (311)  
Black Anodized (315)  
Scratch-Resistant Powder Coated Paint

#### Other Features

Custom lengths - specify in inches  
Custom hole pattern  
Dutch door hinges - suffix "DDP"  
Hospital tips - suffix "HT"

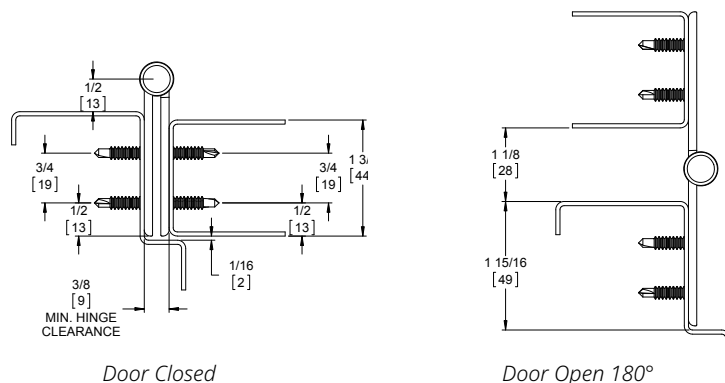
#### Electrical Modifications

Current Transfer Prep - suffix "CTP"  
Electrical Transfer Access Prep - suffix "ETAP"

#### ElectroLynx®

EL4 (4 wire), EL8 (8 wire), EL12 (12 wire)  
PoE (9 wire)

This door-edge mounted aluminum pin & barrel type hinge is extruded using 30% more aluminum than most geared hinges, giving it exceptional strength and durability. This product is specified in lieu of pivots or butt hinges due to its unique design which distributes the weight of the door down the entire length of the hinge.



Experience a safer  
and more open world

800-824-3018 | www.pemko.com  
Check the web site for the up-to-date catalog

Copyright © 2015-2022, ASSA ABLOY Accessories and Door Controls Group, Inc., an ASSA ABLOY Group company. All rights reserved. Reproduction in whole or in part without the express written permission of ASSA ABLOY Accessories and Door Controls Group, Inc. is prohibited.

# MARKAR FS101 1/8" INSET FULL SURFACE HINGE

## Standard Features

### Barrel Type Hinge

.187" diameter stainless steel pin (rod)  
Medical bearings  
Aluminum end pins

### Material

6063-T6 aluminum alloy

### Finishes

Clear Anodized (628)  
Dark Bronze Anodized (313)

### Standards

ANSI/BHMA Standard A156.26 Grade 2

### Mounting Hardware

No exposed mounting fasteners  
1/4-14 x 3/4" Security TORX TEK Screws

### Capacity

Supports weights up to 600lbs.  
4'0" maximum door width

### Standard Sizes

6'8", 7'0", 7'2", 8'0"

### Locking Security Covers

Brushed aluminum finish

### Handing

Not required for standard 7'0" and 8'0". Handing required for 6'8" and 7'2" and for most optional features listed

## Optional Features

### Finishes

Light Bronze Anodized (311)  
Black Anodized (315)  
Scratch-Resistant Powder Coated Paint

### Fasteners

1 5/8" aluminum sleeve bolts  
Tamper-proof security screws

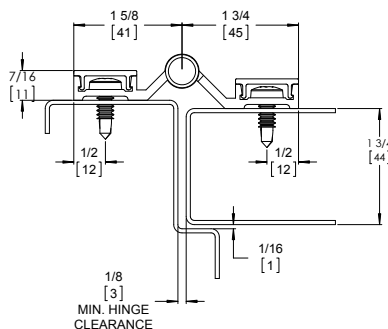
### Other Features

Custom lengths - specify in inches  
Custom hole pattern  
Dutch door hinges - suffix "DDP"  
Hospital tips - suffix "HT"  
Lead lined cover with 4 lbs. lead lining - suffix "LL"

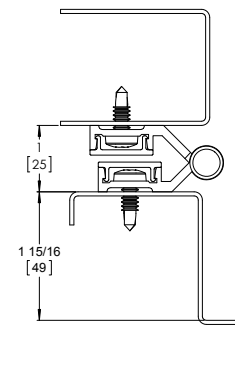
### Electrical Modifications

Electrical Transfer Access Prep - suffix ETAP  
**ElectroLynx®**  
EL4 (4 wire), EL8 (8 wire), EL12 (12 wire)  
PoE (9 wire)

This surface-mounted pin & barrel type continuous hinge is the correct hinge to solve door sag problems. The 1/8" inset allows perfect alignment for retrofitting hollow metal, wood or aluminum doors within the existing conditions - no need to readjust your weather-stripping!



Door Closed



Door Open 180°

# MARKAR FS102 FULL SURFACE FLUSH MOUNT HINGE

## Standard Features

### Barrel Type Hinge

.187" diameter stainless steel pin (rod)  
 Medical bearings  
 Aluminum end pins

### Material

6063-T6 aluminum alloy

### Finishes

Clear Anodized (628)  
 Dark Bronze Anodized (313)

### Standards

ANSI/BHMA Standard A156.26 Grade 2

### Mounting Hardware

Fasteners concealed when door is closed  
 1/4"-14 x 3/4" Security TORX TEK Screws

### Capacity

Supports weights up to 600lbs.  
 4'0" maximum door width

### Standard Sizes

6'8", 7'0", 7'2", 8'0"

### Locking Security Covers

Brushed aluminum finish

### Handing

Not required for standard 7'0" or 8'0".  
 Handing required for 6'8" and 7'0" and for most optional features listed

## Optional Features

### Finish

Light Bronze Anodized (311)  
 Black Anodized (315)  
 Scratch-Resistant Powder Coated Paint

### Fasteners

1 5/8" aluminum sleeve bolts  
 Tamper-proof security screws

### Other Features

Custom lengths - specify in inches  
 Custom hole pattern  
 Dutch door hinges - suffix "DDP"  
 Hospital tips - suffix "HT"  
 Lead lined cover with 4 lbs. lead lining - suffix "LL"

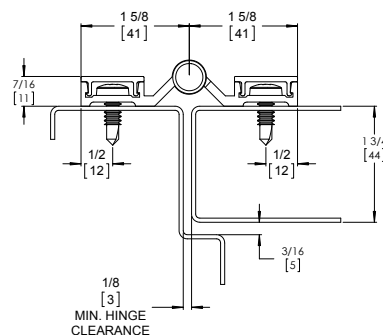
### Electrical Modifications

Electrical Transfer Access Prep - suffix ETAP

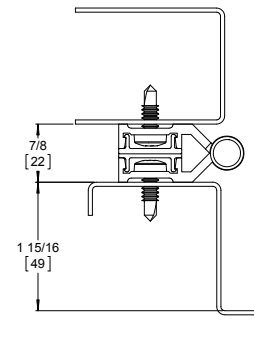
### ElectroLynx®

EL4 (4 wire), EL8 (8 wire), EL12 (12 wire)  
 PoE (9 wire)

For flush-mounted doors. This surface-mounted pin & barrel type continuous hinge is for flush-mounted doors for solving your door sag problems. This unit works well on all types of aluminum, wood and hollow metal door applications. The hinge also features tamper-resistant cover caps to prevent vandalism or break-ins.



Door Closed



Door Open 180°



Experience a safer and more open world

800-824-3018 | [www.pemko.com](http://www.pemko.com)  
 Check the web site for the up-to-date catalog

Copyright © 2015-2022, ASSA ABLOY Accessories and Door Controls Group, Inc., an ASSA ABLOY Group company. All rights reserved. Reproduction in whole or in part without the express written permission of ASSA ABLOY Accessories and Door Controls Group, Inc. is prohibited.

# MARKAR HS103 HALF SURFACE HINGE

## Standard Features

### Barrel Type Hinge

.187" diameter stainless steel pin (rod)  
 Medical bearings  
 Aluminum end pins

### Material

6063-T6 aluminum alloy

### Finishes

Clear Anodized (628)  
 Dark Bronze Anodized (313)

### Standards

ANSI/BHMA Standard A156.26  
 Grade 2

### Mounting Hardware

Fasteners concealed when door is closed  
 Custom 12-24 x 1<sup>1</sup>/<sub>16</sub>" S.S Phillips Flat Head Undercut TEK Screws & 1<sup>1</sup>/<sub>4</sub>-14 x 3<sup>3</sup>/<sub>4</sub>" Security TORX TEK Screws

### Capacity

Supports weights up to 600lbs.  
 4'0" maximum door width

### Standard Sizes

6'8", 7'0", 7'2", 8'0"

### Locking Security Covers

Brushed aluminum finish

### Handing

Not required for standard 7'0" or 8'0".  
 Specify handing for 6'8" and 7'2" and for most optional features

## Optional Features

### Finish

Light Bronze Anodized (311)  
 Black Anodized (315)  
 Scratch-Resistant Powder Coated Paint

### Fasteners

1<sup>5</sup>/<sub>8</sub>" aluminum sleeve bolts  
 Tamper-proof security screws

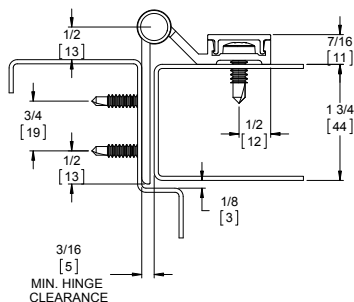
### Other Features

Custom lengths- specify in inches  
 Custom hole pattern  
 Dutch door hinges- suffix "DDP"  
 Hospital tips – suffix "HT"  
 Lead lined cover with 1<sup>1</sup>/<sub>16</sub>" lead lining - suffix "LL"

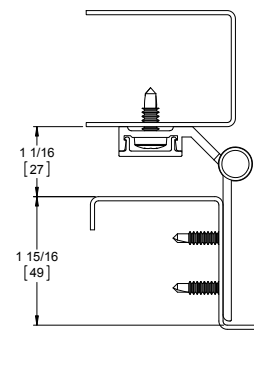
### Electrical Modifications

Current Transfer Prep (frame leaf only) - suffix "CTP"  
 Electrical Transfer Access Prep - suffix ETAP  
**ElectroLynx®**  
 EL4 (4 wire), EL8 (8 wire), EL12 (12 wire)  
 PoE (9 wire)

This half-surface aluminum pin & barrel hinge can be used to repair doors that need the frame reinforced. This hinge can also be used on openings that have too large a gap between the door and frame. The hinge is edge mounted on the frame mounted on the frame and surface mounted on the door.



Door Closed



Door Open 180°

# MARKAR HM104 HALF MORTISE HINGE

## Standard Features

### Barrel Type Hinge

.187" diameter stainless steel pin (rod)  
 Medical bearings  
 Aluminum pins

### Material

6063-T6 aluminum alloy

### Finishes

Clear Anodized (628)  
 Dark Bronze Anodized (313)

### Standards

ANSI/BHMA Standard A156.26 Grade 2

### Mounting Hardware

Fasteners concealed when door is closed  
 Custom 12-24 x <sup>11</sup>/<sub>16</sub>" S.S Phillips Flat Head Undercut TEK Screws & <sup>1</sup>/<sub>4</sub>-14 x <sup>3</sup>/<sub>4</sub>" Security TORX TEK Screws

### Capacity

Supports weights up to 600lbs.  
 4'0" maximum door width

### Standard Sizes

6'8", 7'0", 7'2", 8'0"

### Locking Security Covers

Brushed aluminum finish

### Handing

Not required for standard 7'0" or 8'0".  
 Specify handing for 6'8" and 7'2" and for most optional features

## Optional Features

### Finish

Light Bronze Anodized (311)  
 Black Anodized (315)  
 Scratch-Resistant Powder Coated Paint

### Fasteners

1<sup>5</sup>/<sub>8</sub>" aluminum sleeve bolts  
 Tamper-proof security screws

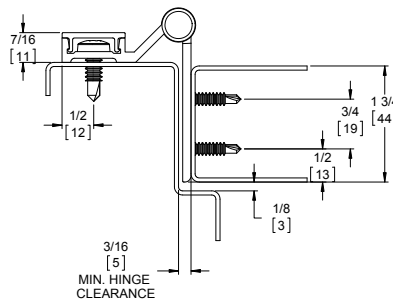
### Other Features

Custom lengths - specify in inches  
 Custom hole pattern  
 Dutch door hinges - suffix "DDP"  
 Hospital tips - suffix "HT"

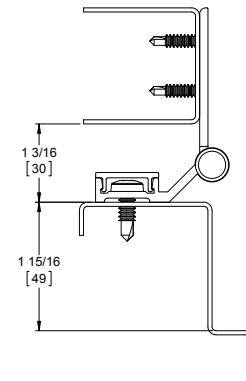
### Electrical Modifications

Current Transfer Prep (door leaf only) - suffix "CTP"  
 Electrical Transfer Access Prep - suffix ETAP  
**ElectroLynx®**  
 EL4 (4 wire), EL8 (8 wire), EL12 (12 wire)  
 PoE (9 wire)

This pin & barrel type hinge is used on wooden doors to hid splits, chips and dents from traffic abuse. The surface mounted frame leaf allows for easy installation.



Door Closed



Door Open 180°



Experience a safer  
 and more open world

800-824-3018 | [www.pemko.com](http://www.pemko.com)  
 Check the web site for the up-to-date catalog

Copyright © 2015-2022, ASSA ABLOY Accessories and Door Controls Group, Inc., an ASSA ABLOY Group company. All rights reserved.  
 Reproduction in whole or in part without the express written permission of ASSA ABLOY Accessories and Door Controls Group, Inc. is prohibited.



# MARKAR HG105 ADJUSTABLE HINGE GUARD

## Standard Features

### Barrel Type Hinge

.187" diameter stainless steel pin (rod)  
Medical bearings  
Aluminum end pins

### Material

6063-T6 aluminum alloy

### Finishes

Clear Anodized (628)  
Dark Bronze Anodized (313)

### Standards

ANSI/BHMA Standard A156.26 Grade 2

### Mounting Hardware

No exposed mounting fasteners when door is closed  
Custom 12-24 x  $1\frac{1}{16}$ " S.S Phillips Flat Head Undercut TEK Screws

### Capacity

Supports weights up to 600lbs.  
4'0" maximum door width

### Standard Sizes

6'8", 7'0", 7'2", 8'0"

### Hole Pattern

Symmetrically templated

### Handing

Not required for standard 7'0" or 8'0".  
Handing required for 6'8" and 7'2" and for most optional features listed

## Optional Features

### Finishes

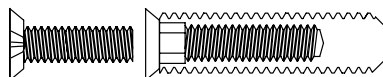
Light Bronze Anodized (311)  
Black Anodized (315)  
Scratch-Resistant Powder Coated Paint

### Other Features

Custom lengths - specify in inches  
Custom hole pattern  
Dutch door hinges - suffix "DDP"  
Hospital tips - suffix "HT"

### Fasteners

Tamper-proof security screws  
Adjust-A-Screw™ for correcting frame fit problems up to  $\frac{3}{8}$ "



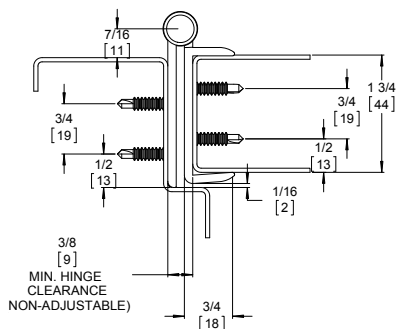
### Electrical Modifications

Current Transfer Prep - suffix "CTP"

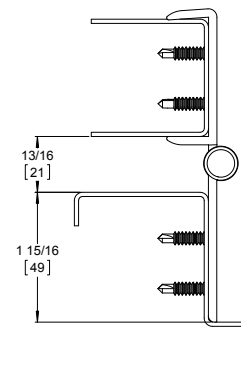
### ElectroLynx®

EL4 (4 wire), EL8 (8 wire), EL12 (12 wire)  
PoE (9 wire)

This pin & barrel edge-mounted hinge can be used in conjunction with automatically operated aluminum doors that have heavy cart traffic. Ideal for both commercial and institutional doors, shipping and receiving doors, as well as storefronts where door edge protection is critical.



Door Closed



Door Open 180°

# MARKAR 1000 SERIES ALUMINUM PIN & BARREL CONTINUOUS HINGES

## Short Form Architectural Specification:

Continuous hinges shall be full height piano-type hinge providing full height door support.

- Supports weights up to 600 lbs. 4'0" maximum door width
- Material to be extruded aluminum 6063-T6 alloy
- .250" diameter stainless pin (rod)
- Each knuckle 4", including nylon bearing at each separation for a quiet, smooth, self-lubricating operation
- Finish: Clear Anodized (628)  
Optional Finish: Light Bronze Anodized (311), Dark Bronze Anodized (313) Black Anodized (315), Scratch-Resistant Powder Coated Paint. Other finishes available upon request.
- All hinges shall be furnished with manufacturer's recommended hardware pack per specific model application
- Exterior barrel diameter .750" (3/4")
- Hinges certified ANSI/BHMA Standard A 156.26 Grade 1
- Symmetrically templated hole pattern

*Note: 25-Year Warranty on all Continuous Pin & Barrel Hinges*

# MARKAR DSH1000 DOUBLE SWING HINGE

## Standard Features

### Barrel Type Hinge

.250" diameter stainless steel pin (rod)

Medical bearings

### Material

6063-T6 aluminum alloy

### Finishes

Clear Anodized (628)

Order form required, available online.

### Standards

ANSI/BHMA Standard A156.26 Grade 1

### Mounting Hardware

12-24 x 1 1/16" Torx Flat Head Undercut TEK Screws  
#12-8 Torx Flat Head Particle Board Screw

### Capacity

Supports weights up to 600lbs.  
4'0" maximum door width

### Standard Sizes

7'0", 8'0"

### Hole Pattern

Symmetrically templated

### Handing

Handing not required

### CMS Compliant

Eliminating additional ligature points ensures compliance for reimbursement through CMS (Centers for Medicare and Medicaid Services)

## Optional Features

### Finishes

Light Bronze Anodized (311)

Dark Bronze Anodized (313)

Black Anodized (315)

Scratch-Resistant Powder Coated Paint

### Other Features

Custom lengths - specify in inches

Custom hole pattern

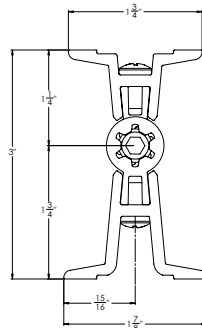
### Electrical Modifications

#### ElectroLynx®

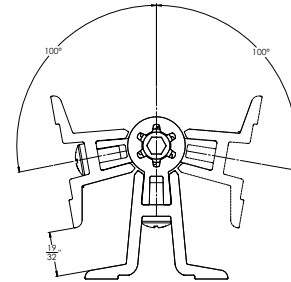
SER4 (4 wire), SER8 (8 wire), SER12 (12 wire)

This door edge mounted aluminum pin & barrel type hinge has a unique feature that allows the door to swing in either direction up to 100°. When used in conjunction with Pemko Emergency Release Stop (ERS) provides an anti-barricade system

The Double Swing Hinge and Emergency Release Stop are accepted by the New York State Office of Mental Health (OMH) for use in high risk areas.



Door Closed



Door Open 100° Either Direction



Experience a safer and more open world

800-824-3018 | [www.pemko.com](http://www.pemko.com)  
Check the web site for the up-to-date catalog

Copyright © 2015-2022, ASSA ABLOY Accessories and Door Controls Group, Inc., an ASSA ABLOY Group company. All rights reserved. Reproduction in whole or in part without the express written permission of ASSA ABLOY Accessories and Door Controls Group, Inc. is prohibited.

# MARKAR 900 SERIES SPRING LOADED PIN & BARREL TYPE CONTINUOUS STAINLESS STEEL HINGES

## Short Form Architectural Specification:

Continuous hinges shall be full height piano-type hinge providing full height door support.

- Supports weights up to 80 lbs. 3'0" maximum door width
- Material to be 14 gauge stainless steel
- Patented .25" diameter 303 stainless steel self closing pin assembly
- Exterior barrel diameter .438" (7/16")
- Adjustable, tamper resistant Torx Head end caps
- Each knuckle 2", including split nylon bearing at each separation for a quiet, smooth, self-lubricating operation
- Finish: US32D Satin Stainless Steel (630)  
Optional Finish: US32 Bright Stainless Steel (629)
- Non-Handed
- All hinges shall be furnished with manufacturer's recommended hardware pack per specific model application
- Removable roll pin for spring loaded adjustment
- Symmetrically templated hole pattern

Note: 10-Year Warranty

## MARKAR FM900 EDGE MOUNT

### Standard Features

#### Spring-Loaded Barrel Type Hinge

.25" diameter stainless steel pin with stainless steel spring mechanism  
Torx tip cap to adjust spring tension  
Split nylon bearings

#### Material

Heavy-duty 14 gauge stainless steel  
Finishes  
US32D Satin Stainless Steel (630)

#### Torx Adjusting Screw

Adjust tension on door to close tightly for out-swinging ADA compliance

#### Mounting Hardware

Custom 12-24 x 1 1/16" S.S Phillips Flat Head Undercut TEK Screws  
Capacity  
Close door weighing up to 80 lbs.

#### Sizes

54", 57"

#### Non-Handed

Use the same hinge for right- or left-handed doors

For Doors over 3'0" consult factory

USA patent no. 4823437  
Canadian patent no. 1303804

### Optional Features

#### Finishes

US32 Bright Stainless Steel (629)  
Scratch-Resistant Powder Coated Paint

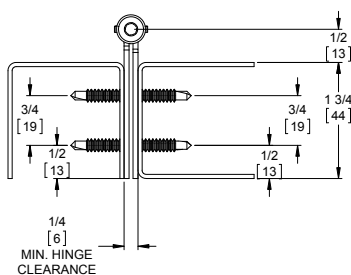
#### Fasteners

Tamper-proof security screws

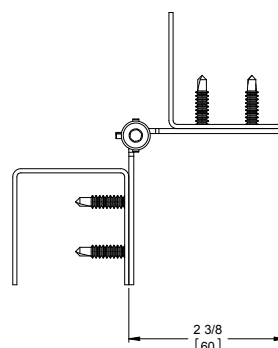
#### Other Features

Custom lengths -Custom sizes 24" to 72" available  
Custom hole pattern

Ideal for damp or corrosive environments, Markar's stainless steel toilet partition hinge adds years of life to your high-quality partition.



Door Closed



Door Open 90°

800-824-3018 | www.pemko.com

Check the web site for the up-to-date catalog

Copyright © 2015-2022, ASSA ABLOY Accessories and Door Controls Group, Inc., an ASSA ABLOY Group company. All rights reserved. Reproduction in whole or in part without the express written permission of ASSA ABLOY Accessories and Door Controls Group, Inc. is prohibited.

**PEMKO**  
**ASSA ABLOY**

Experience a safer  
and more open world

## MARKAR FS902 FLUSH FULL SURFACE HINGE

### Standard Features

**Spring-Loaded Barrel Type Hinge**  
 .25" diameter stainless steel pin with stainless steel spring mechanism  
 Torx tip cap to adjust spring tension  
 Split nylon bearings

**Material**  
 Heavy-duty 14 gauge stainless steel  
 Covers - extruded aluminum

**Finishes**  
 US32D Satin Stainless Steel (630)  
 Covers - Brushed Aluminum  
 Torx Adjusting Screw  
 Adjust tension on door to close tightly for out-swinging ADA compliance

**Mounting Hardware**  
 1/4" x 20 pan head pan head machine screws  
 Concealed by cover caps

**Capacity**  
 Close door weighing up to 80 lbs.

**Sizes**  
 54", 57"

**Non-Handed**  
 Use the same hinge for right- or left-handed doors

For Doors over 3'0" consult factory

USA patent no. 4823437  
 Canadian patent no. 1303804

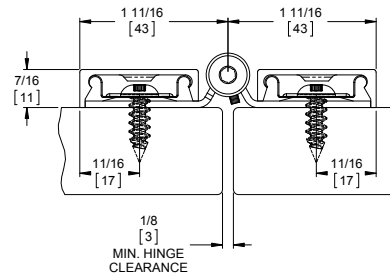
### Optional Features

**Finishes**  
 US32 Bright Stainless Steel (629)  
 Scratch-Resistant Powder Coated Paint

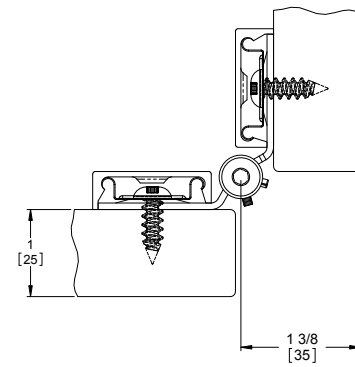
**Fasteners**  
 Tamper-proof security screws

**Other Features**  
 Custom lengths - Custom sizes  
 24" to 72" available  
 Custom hole pattern

Ideal for damp or corrosive environments, Markar's stainless steel toilet partition hinge adds years of life to your high-quality partition.



Door Closed



Door Open 90°

## MARKAR FS910 FLUSH FULL SURFACE HINGE

### Standard Features

**Spring-Loaded Barrel Type Hinge**  
 .25" diameter stainless steel pin with stainless steel spring mechanism  
 Torx tip cap to adjust spring tension  
 Split nylon bearings

**Material**  
 Heavy-duty 14 gauge stainless steel

**Finishes**  
 US32D Satin Stainless Steel (630)  
 Torx Adjusting Screw  
 Adjust tension on door to close tightly for out-swinging ADA compliance

**Mounting Hardware**  
 Custom 12-24 x 11/16" S.S Phillips Flat Head Undercut TEK Screws

**Capacity**  
 Close door weighing up to 80 lbs.

**Sizes**  
 54", 57"

**Non-Handed**  
 Use the same hinge for right- or left-handed doors

For Doors over 3'0" consult factory

USA patent no. 4823437  
 Canadian patent no. 1303804

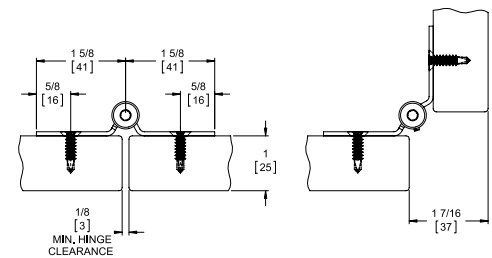
### Optional Features

**Finishes**  
 US32 Bright Stainless Steel (629)  
 Scratch-Resistant Powder Coated Paint

**Fasteners**  
 Tamper-proof security screws

**Other Features**  
 Custom lengths - Custom sizes  
 24" to 72" available Custom hole pattern

Ideal for damp or corrosive environments, Markar's stainless steel toilet partition hinge adds years of life to your high-quality partition.



Door Open

Door Open



Experience a safer and more open world

800-824-3018 | [www.pemko.com](http://www.pemko.com)  
 Check the web site for the up-to-date catalog

Copyright © 2015-2022, ASSA ABLOY Accessories and Door Controls Group, Inc., an ASSA ABLOY Group company. All rights reserved. Reproduction in whole or in part without the express written permission of ASSA ABLOY Accessories and Door Controls Group, Inc. is prohibited.

# MARKAR 400 SERIES SPRING LOADED PIN & BARREL TYPE CONTINUOUS ALUMINUM HINGES

## Short Form Architectural Specification:

Continuous hinges shall be full height piano-type hinge providing full height door support.

- Supports weights up to 80 lbs. 3'0" maximum width
- Material to be extruded aluminum 6063-T6 alloy
- Patented .25" diameter 303 stainless steel self closing pin assembly
- Each knuckle 2", including split nylon bearing at each separation for a quiet, smooth, self-lubricating operation
- Finish: Clear Anodized (628). Other finishes available upon request.
- Adjustable, tamper resistant Torx Head end caps
- Non-handed
- Exterior barrel diameter .515" (1/2")
- Material thickness less than .125"
- Removable roll pin for spring loaded adjustment
- Symmetrically templated hole pattern

Note: 10-Year Warranty

## MARKAR FM400 EDGE MOUNT HINGE

### Standard Features

#### Spring-Loaded Barrel Type Hinge

.25" diameter stainless steel pin with stainless steel spring mechanism  
Torx tip cap to adjust spring tension  
Split nylon bearings

#### Material

6063-T6 aluminum alloy

#### Finishes

Clear Anodized (628)  
Torx Adjusting Screw  
Adjust tension on door to close tightly for out-swinging ADA compliance

#### Mounting Hardware

Custom 12-24 x 11/16" S.S Phillips Flat Head Undercut TEK Screws

#### Capacity

Close door weighing up to 80 lbs.

#### Sizes

54", 57"

Non-Handed

Use the same hinge for right- or left-handed doors

For Doors over 3'0" consult factory

USA patent no. 4823437

Canadian patent no. 1303804

### Optional Features

#### Fasteners

Tamper-proof security screws

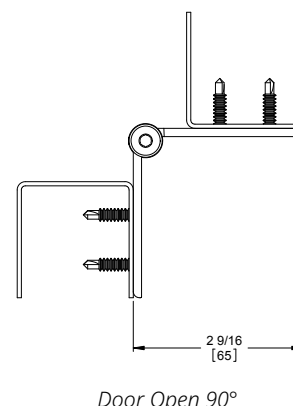
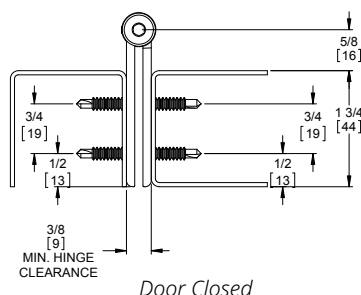
#### Finishes

Scratch-Resistant Powder Coated Paint  
Light Bronze Anodized (311)  
Black Anodized (315)

#### Other Features

Custom lengths - Custom sizes  
24" to 72" available  
Custom hole pattern  
Lift-up safety feature

Specify Markar to create the total finished look that your high-quality toilet partition deserves. The Markar continuous spring hinge gives a clean, finished look while virtually eliminating the "sight line" that multi-part systems cause. Continuous hinges also give complete support along the entire length of the partition door.



800-824-3018 | [www.pemko.com](http://www.pemko.com)

Check the web site for the up-to-date catalog

Copyright © 2015-2022, ASSA ABLOY Accessories and Door Controls Group, Inc., an ASSA ABLOY Group company. All rights reserved. Reproduction in whole or in part without the express written permission of ASSA ABLOY Accessories and Door Controls Group, Inc. is prohibited.

**PEMKO**  
**ASSA ABLOY**

Experience a safer  
and more open world

# MARKAR FS402 FLUSH FULL SURFACE HINGE

## Standard Features

### Spring-Loaded Barrel Type Hinge

.25" diameter stainless steel pin with stainless steel spring mechanism  
Torx tip cap to adjust spring tension  
Split nylon bearings

### Material

6063-T6 aluminum alloy  
Covers - extruded aluminum

### Finishes

Clear Anodized (628)  
Torx Adjusting Screw  
Adjust tension on door to close tightly for out-swinging ADA compliance

### Mounting Hardware

1/4" x 20 pan head pan head machine screws  
Concealed by cover caps

### Capacity

Close door weighing up to 80 lbs.

### Sizes

54", 57"

### Non-Handed

Use the same hinge for right- or left-handed doors

For Doors over 3'0" consult factory

USA patent no. 4823437

Canadian patent no. 1303804

## Optional Features

### Fasteners

Tamper-proof security screws

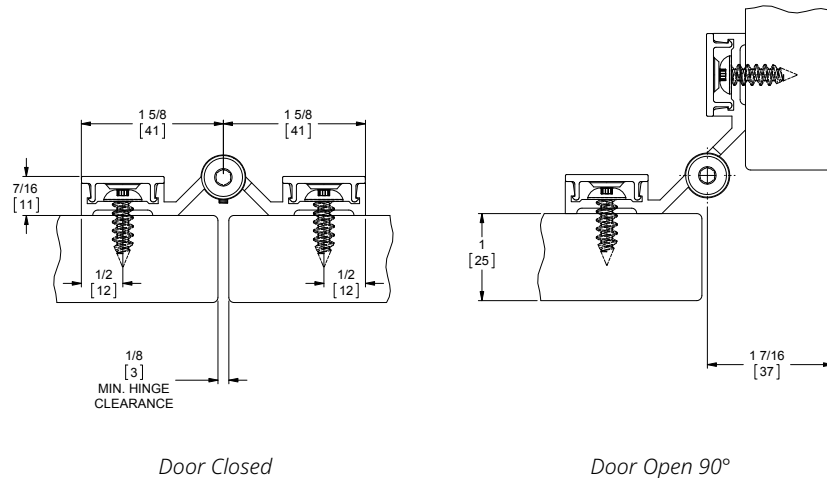
### Finishes

Scratch-Resistant Powder Coated Paint  
Light Bronze Anodized (311)  
Black Anodized (315)

### Other Features

Custom lengths - Custom sizes  
24" to 72" available  
Custom hole pattern  
Lift-up safety feature

Specify Markar to create the total finished look that your high-quality toilet partition deserves. The Markar continuous spring hinge gives a clean, finished look while virtually eliminating the "sight line" that multi-part systems cause. Continuous hinges also give complete support along the entire length of the partition door.



Experience a safer and more open world

800-824-3018 | [www.pemko.com](http://www.pemko.com)  
Check the web site for the up-to-date catalog

Copyright © 2015-2022, ASSA ABLOY Accessories and Door Controls Group, Inc., an ASSA ABLOY Group company. All rights reserved. Reproduction in whole or in part without the express written permission of ASSA ABLOY Accessories and Door Controls Group, Inc. is prohibited.

## MARKAR B1921 & B1923 FULL SURFACE REINFORCING PIVOTS

This full-surface reinforcing pivot adds years of life to openings where the hinges or hinge reinforcements have failed. An economical way to solve door sag problems, reinforcing pivots take the load off the top hinge and transfer it to screws that will not pull out.

### Material:

Heavy Duty  $\frac{3}{16}$ " (.187) Cold-Rolled Steel

### Finish:

Zinc Plated (US2G)

### Mounting:

- 8 ea.  $\frac{1}{4}$ -20 x  $\frac{3}{4}$ " Phillips flat head machine screws
- 8 ea. #14 x  $1\frac{1}{4}$ " Phillips flat head sheet metal screws
- 2 ea.  $\frac{1}{4}$ -20 x  $1\frac{3}{4}$ " Sleeve bolts

### Capacity:

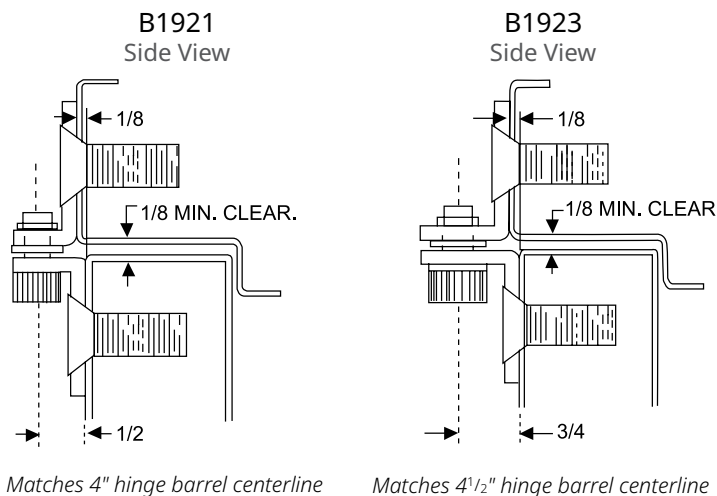
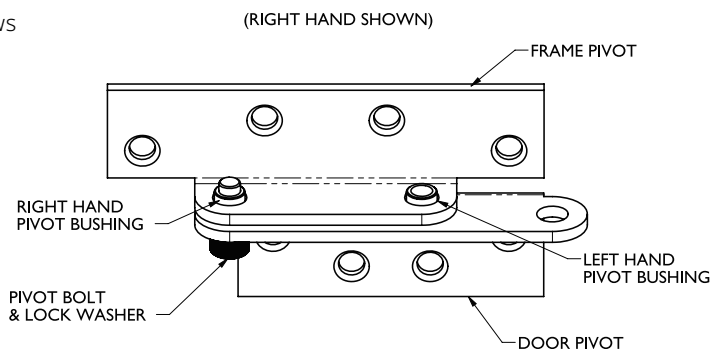
Supports Weights up to 300 lbs.

### Hole Pattern:

Symmetrically

### Handing:

Non-handed



B1921	The B1921 pivot is designed with a $\frac{1}{2}$ " offset to match the pivot point of a 4" wide butt hinge.
B1923	The B1923 pivot is designed with a $\frac{3}{4}$ " offset to match the pivot point of a 4 1/2" wide butt hinge.

800-824-3018 | [www.pemko.com](http://www.pemko.com)  
 Check the web site for the up-to-date catalog

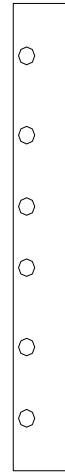
Copyright © 2015-2022, ASSA ABLOY Accessories and Door Controls Group, Inc., an ASSA ABLOY Group company. All rights reserved.  
 Reproduction in whole or in part without the express written permission of ASSA ABLOY Accessories and Door Controls Group, Inc. is prohibited.

**PEMKO**  
**ASSA ABLOY**

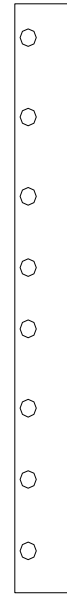
Experience a safer  
 and more open world

## MARKAR FLAT ASTRAGALS

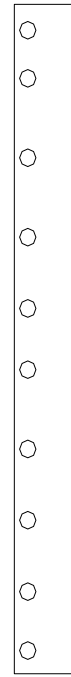
- For 6'8", 7'0", and 8'0" doors
- Holes are countersunk and equally spaced
- 1/8" x 2" galvanized steel
- 1-pkg. # 6 x 1" F.H.S.M. screws
- Finish – galvanized steel
- Available with thru-bolt option– nine-pack (ZTB-KIT9) or eleven-pack (ZTB-KIT11)



FA68



FA70



FA80



# MARKAR UNIVERSAL SCREW PACKS – EDGE MOUNT HINGES

## For hinge models FM100

Screw type	Aluminum	Bronze	6'8"-7'0"-7'2"	8'0"	10'0"
12-24 x 1 <sup>1</sup> / <sub>16</sub> " Phillips flat head undercut self-drilling Tek screw	TKS1267SP10SS	TKS1267SP10BLR	42	46	54

## For hinge models FM200, FM300, HG311, HG315, FM/SC325, FM327, HG329, FM338, FM344, FM600

Screw type	Stainless Steel	6'8"-7'0"-7'2"	8'0"	10'0"
12-24 x 1 <sup>1</sup> / <sub>16</sub> " Phillips flat head undercut self-drilling Tek screw	TKS1267SP10SS	42	46	54

## For hinge/guard model HG105

Screw type	Aluminum	Bronze	6'8"-7'0"-7'2"	8'0"	10'0"
12-24 x 1 <sup>1</sup> / <sub>16</sub> " Phillips flat head undercut self-drilling Tek screw	TKS1267SP10SS	TKS1267SP10BLR	42	46	54
<b>Adjust-A-Screw™ option</b>	Aluminum	Bronze	6'8"-7'0"-7'2"	8'0"	10'0"
10-32 x 3/4" Phillips flat head undercut machine screw	MS10075SS	MS10075SS	21	23	27
1 <sup>3</sup> / <sub>8</sub> " Adjust-A-Screw™ with 10-32 internal thread	M26-0031-01	M26-0031-01	21	23	27

## For hinge/guard models HG305, HG310, HG322, HG326,

Screw type	Stainless Steel	6'8"-7'0"-7'2"	8'0"	10'0"
12-24 x 1 <sup>1</sup> / <sub>16</sub> " Phillips flat head undercut self-drilling Tek screw	TKS1267SP10SS	42	46	54
<b>Adjust-A-Screw™ option</b>	Stainless Steel	6'8"-7'0"-7'2"	8'0"	10'0"
10-32 x 3/4" Phillips flat head undercut machine screw	MS10075SS	21	23	27
1 <sup>3</sup> / <sub>8</sub> " Adjust-A-Screw™ with 10-32 internal thread	M26-0031-01	21	23	27

## For hinge/guard model HG323

Screw type	Stainless Steel	6'8"-7'0"-7'2"	8'0"	10'0"
12-24 x 1 <sup>1</sup> / <sub>16</sub> " Phillips flat head undercut self-drilling Tek screw	TKS1267SP10SS	21	23	27
1/4"-20 X 3/4" Truss Head Phillips machine screw	MS14075TSS	9	9	11
1/4"-20 x 1 <sup>5</sup> / <sub>8</sub> " sleeve bolt	TB1420SS	9	9	11

## For edge/guard models EG308, EGC308, & EGT308

Screw type	Stainless Steel	6'8"-7'0"-7'2"	8'0"	10'0"
#12 x 1 <sup>1</sup> / <sub>2</sub> " Phillips flat head undercut sheet metal screw	PBS12150SP10SS	8	10	12
#12-24 x 1 <sup>1</sup> / <sub>16</sub> " Phillips flat head undercut self-drilling Tek Screw	TKS1267SP10SS	8	10	12

## For security hinge models FM3500, FS3501, & FS3502

Screw type	Stainless Steel	6'8"-7'0"-7'2"	8'0"	10'0"
12-24 x 7/16" flat head undercut machine screw	MS1244SP10SS	42	46	54

800-824-3018 | [www.pemko.com](http://www.pemko.com)

Check the web site for the up-to-date catalog

Copyright © 2015-2022, ASSA ABLOY Accessories and Door Controls Group, Inc., an ASSA ABLOY Group company. All rights reserved. Reproduction in whole or in part without the express written permission of ASSA ABLOY Accessories and Door Controls Group, Inc. is prohibited.



Experience a safer and more open world

## MARKAR UNIVERSAL SCREW PACKS – FULL SURFACE HINGES

### For models FS101, FS102

Screw type	Aluminum	Bronze	6'8"-7'0"-7'2"	8'0"	10'0"
1/4-14 x 3/4 Torx pan head self-drilling Tek screw	TORX-TKS14075R	TORX-TKS14075R	32	36	40
#8 x 3/4" Phillips flat head Tek screw	TKS8075Z	S323-08R12-663	4	4	4

### For models FS201, FS202, FS301, FS302, FS321

Screw type	Stainless Steel	6'8"-7'0"-7'2"	8'0"	10'0"
1/4-14 x 3/4" Torx pan head self-drilling Tek screw	TORX-TKS14075R	32	36	40
606 Cover clips	M22-0130-01	10	12	16
#8 x 3/4" Phillips flat head Tek screw	TKS8075Z	4	4	4

### For swing clear model FS/SC309

Screw type	Stainless Steel	6'8"-7'0"-7'2"	8'0"	10'0"
12-24 x 11/16" Phillips flat head undercut self-drilling Tek screw	TKS1267SP10SS	22	24	28
1/4-14 x 3/4" Torx Phillips pan head self-drilling Tek screw	TORX-TKS14075R	16	18	20
606 Cover clips	M22-0130-01	5	6	8
#8 x 3/4" Phillips flat head Tek screw	TKS8075Z	2	2	2

## UNIVERSAL SCREW PACKS – HALF SURFACE & HALF MORTISE HINGES

### For hinge models HS103 & HM104

Screw type	Aluminum	Bronze	6'8"-7'0"-7'2"	8'0"	10'0"
1/4-14 x 3/4" Torx pan head self-drilling Tek screw	TORX-TKS14075R	TORX-TKS14075R	16	18	10
12-24 x 11/16" Phillips flat head undercut self-drilling Tek screw	TKS1267SP10SS	TKS1267SP10BLR	21	23	27
#8 x 3/4" Phillips flat head Tek screw	TKS8075Z	S323-08R12-663	2	2	2

### For hinge models HS203 & HM204

Screw type	Stainless Steel	6'8"-7'0"-7'2"	8'0"	10'0"
1/4-14 x 3/4" Torx pan head self-drilling Tek screw	TORX-TKS14075R	14	16	20
12-24 x 11/16" Phillips flat head undercut self-drilling Tek screw	TKS1267SP10SS	21	23	27
606 Cover clips	M22-0130-01	5	6	8
#8 x 3/4" Phillips flat head sheet metal screw	TKS8075Z	2	2	2

### For hinge models HS303, HM304, & HG306

Screw type	Stainless Steel	6'8"-7'0"-7'2"	8'0"	10'0"
1/4-14 x 3/4" Torx pan head self-drilling Tek screw	TORX-TKS14075R	14	16	20
12-24 x 3/16" Phillips flat head undercut self-drilling Tek screw	TKS1267SP10SS	21	23	27
606 Cover clips	M22-0130-01	5	6	8
#8 x 3/4" Phillips flat head sheet metal screw	TKS8075Z	2	2	2



Experience a safer  
and more open world

800-824-3018 | [www.pemko.com](http://www.pemko.com)  
Check the web site for the up-to-date catalog

Copyright © 2015-2022, ASSA ABLOY Accessories and Door Controls Group, Inc., an ASSA ABLOY Group company. All rights reserved. Reproduction in whole or in part without the express written permission of ASSA ABLOY Accessories and Door Controls Group, Inc. is prohibited.

## MARKAR UNIVERSAL SCREW PACKS – TOILET PARTITION HINGES

### For hinge models FM400

Screw type	Stainless Steel	54"	57"
12-24 x <sup>11</sup> / <sub>16</sub> " Phillips flat head undercut zinc self-drilling Tek screw	TKS1267SP10SS	26	26
<sup>3</sup> / <sub>32</sub> " x <sup>3</sup> / <sub>8</sub> " Stainless Steel roll pin	RLPN33238SS	1	1

### For hinge model FS402

Screw type	Stainless Steel	54"	57"
<sup>1</sup> / <sub>4</sub> -14 x <sup>3</sup> / <sub>4</sub> " Torx button head sheet metal screw	TORX-TKS14075R	12	12
#8 x <sup>3</sup> / <sub>4</sub> " TORX flat head self-drilling Tek screw	TORX-TKS8075Z	4	4
<sup>3</sup> / <sub>32</sub> " x <sup>3</sup> / <sub>8</sub> " Stainless Steel roll pin	RLPN33238SS	1	1

### For hinge models FM900

Screw type	Stainless Steel	54"	57"
#12-24 x <sup>11</sup> / <sub>16</sub> " Phillips flat head undercut self-drilling Tek screw	TKS1267SP10SS	26	26
<sup>3</sup> / <sub>32</sub> " x <sup>3</sup> / <sub>8</sub> " Stainless Steel roll pin	RLPN33238SS	1	1

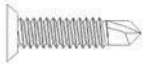





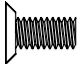


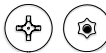
### For hinge model FS902

Screw type	Stainless Steel	54"	57"
<sup>1</sup> / <sub>4</sub> -14 x <sup>3</sup> / <sub>4</sub> " Torx button head sheet metal screw	TORX-TKS14075R	12	12
606 Cover clips	M22-0130-01	6	6
#8 x <sup>3</sup> / <sub>4</sub> " TORX flat head self-drilling Tek screw	TORX-TKS8075Z	4	4
<sup>3</sup> / <sub>32</sub> " x <sup>3</sup> / <sub>8</sub> " Stainless Steel roll pin	RLPN33238SS	1	1

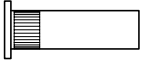
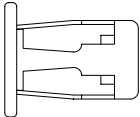
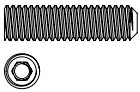
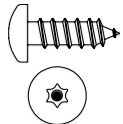
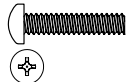
### For hinge models FS910

Screw type	Stainless Steel	54"	57"
#12-24 x <sup>11</sup> / <sub>16</sub> " Phillips flat head undercut self-drilling Tek screw	TKS1267SP10SS	26	26
<sup>3</sup> / <sub>32</sub> " x <sup>3</sup> / <sub>8</sub> " Stainless Steel roll pin	RLPN33238SS	1	1

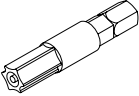
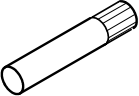
## MARKAR FASTENERS

	Product Number	Description	Properties
 		Custom 12-24 x <sup>11</sup> / <sub>16</sub> " Phillips Flat Head Undercut Self-Drilling Screw	
	TKS1267SP10SS	For attaching Edge Mounted hinge leaves	Stainless Steel Phillips
	TORX-TKS1267SP10SS	For attaching Edge Mounted hinge leaves	Stainless Steel Torx
<hr/>			
 	TKS8075Z	#8 x <sup>3</sup> / <sub>4</sub> " Flat Head Self Drilling Tek Screw For attaching 100, 200, and 300 series covers	Zinc Phillips
	S323-08R12-663	For attaching 100, 200, and 300 series covers	Bronze Phillips
	TORX-TKS8075Z	For attaching 100, 200, and 300 series covers	Zinc Torx
<hr/>			
 	PBS12150SP10BLR	Custom #12 x 1 <sup>1</sup> / <sub>2</sub> " Flat Head Undercut Particle Board Screw For edge mounting to wood	Bronze Phillips
	PBS12150SP10SS	For edge mounting to wood	Stainless Steel Phillips
	TORX-PBS12150SP10SS	For edge mounting to wood	Stainless Steel Torx
<hr/>			
 	MS1244SP10SS	Custom 12-24 x <sup>7</sup> / <sub>16</sub> " Flat Head Undercut Machine Screw Used with 3500 series hinges for mounting to metal	Stainless Steel Phillips
	TORX-MS1244SP10SS	Used with 3500 series hinges for mounting to metal	Stainless Steel Torx
<hr/>			
 	MS10075SS	10-32 x <sup>3</sup> / <sub>4</sub> " Flat Head Machine Screw Used with Adjust-A-Screw	Stainless Steel Phillips
	TORX-MS10075SS	Used with Adjust-A-Screw	Stainless Steel Torx

# MARKAR FASTENERS

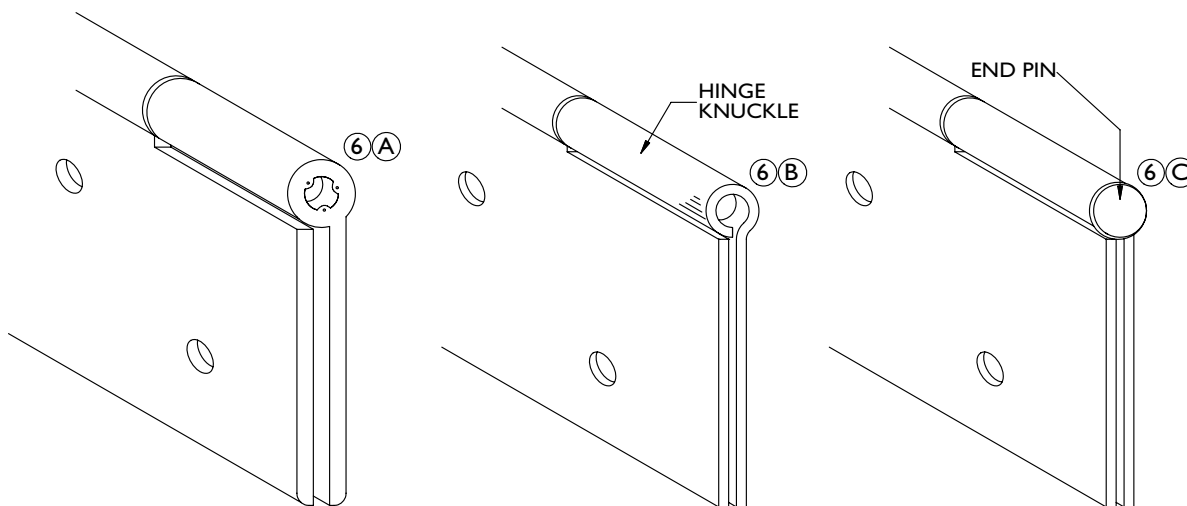
	Product Number	Description	Properties
	TB1420SS	1/4"-20 x 1 5/8" Sleeve Bolt For surface mounting to wood	Stainless Steel
	M26-0030	10-24 Security Button Head Barrel Nut For surface mount toilet partition hinges Consult factory for pricing and availability	Stainless Steel
	TORX-BHMS1075SS	10-24 x 3/4" Button Head Security Torx For surface mount toilet partition hinges Consult factory for pricing and availability	Stainless Steel
	M26-0015-02	18 SJN 1/4"-20 Molly Jack Nut 7/16" hole	Zinc
	M26-0031-01	1 3/8" Adjust-A-Screw™ with 10-32 Internal Thread and Hex Head Adjustment Used with MS10075SS screw Note: 5/16" pilot hole required for 3/8" - 16 tap	
	TORX-TKS14075R	1/4"-14 x 3/4" T-27 Torx Button Head Sheet Metal Screw	Ruspert Coat Torx
	S222-416R16-603	1/4"-20 x 1" Pan Head Machine Screw For surface mounting to metal	Zinc Phillips

## MARKAR TOOLS, PARTS AND ACCESSORIES

	Product Number	Description
		MT-T20, 27, & 15 Torx Driver Bit
	TORXBIT20	Used on TORX-MS1244SP10SS, TORX-PBS12150SP10SS and TORX-MS10075SS
	TORXBIT27	Used on TORX-TKS14075R16 and to adjust 400 and 900 series spring-loaded hinges
	TORXBIT15	Used on TORX-TKS8075Z
		Knurl Pin
	RLPN33238SS	Replacement pin for spring-loaded toilet partition hinges

## CUTTING PIN & BARREL HINGES TO CUSTOM LENGTHS

- Step 1** The following instructions will apply to all Markar pin and barrel hinges except for toilet partition hinges. The general instructions apply for the 100, 200, 300 and 3500 series hinges. Follow option **A** for specific directions related to 100 series aluminum hinges and option **B** or **C** for specific directions related to 200, 300 & 3500 series steel and stainless steel hinges.
- Step 2** Determine the amount the hinge needs to be shortened. Note the hand of the hinge before beginning to lay out your cut. All cuts should be done at the bottom of your hinge assembly so that the gang hole pattern is at the top.
- Step 3** Measure from the top of the hinge down and mark a cut line at the desired length.  
For 200, 300 & 3500 series hinges, follow the instructions below
- If less than  $\frac{3}{4}$ " of knuckle is remaining follow option **B**
  - If  $\frac{3}{4}$ " or more of knuckle is remaining follow option **C**
- Step 4** Cut the hinge to length with a hacksaw or horizontal band saw, going through each hinge leaf, barrel and rod. If necessary, use a file to remove sharp edges and deburr.
- Step 5** Slide the stainless steel rod out approximately 1" making sure the assembly stays together as one unit.
- **A B** Remove  $\frac{1}{4}$ " from the rod using hacksaw and then push back into it's original position.
  - **C** Remove  $\frac{3}{4}$ " from the rod using a hacksaw and then push back into it's original position.
- Step 6** Follow instructions below based on option used.
- **A** Using a hammer and a center-punch, swage the aluminum material towards the center of the hole locking the hinge pin into place making sure it will not slide out.
  - **B** Using a pair of vice-grips, crimp the end of the steel barrel making sure the hinge pin will not slide out.
  - **C** Remove the end of the pin from the scrap hinge and insert it into the bottom of hinge using hammer.





Experience a safer  
and more open world

800-824-3018 | [www.pemko.com](http://www.pemko.com)  
Check the web site for the up-to-date catalog

Copyright © 2015-2022, ASSA ABLOY Accessories and Door Controls Group, Inc., an ASSA ABLOY Group company. All rights reserved.  
Reproduction in whole or in part without the express written permission of ASSA ABLOY Accessories and Door Controls Group, Inc. is prohibited.



# PemkoHinge®

## Continuous Geared Aluminum Hinges

### CONTENTS:

What is PemkoHinge®?	82
Ordering Chart	82
BHMA Certification Program	83
Hospital Tip	83
Cycle Requirements and Weight Bearing	83
UL Fire Labeling	83
Options for Electrically Modified Continuous Geared Hinges	84
X-Series PemkoHinge®	85
Offset Hinges	86
Full Mortise Hinges	87
Special Full Mortise Hinges	88
Kawneer Full Mortise Hinges	89
Raised Gear Hinge	89
Full Mortise Safety Hinges	90
Wide Throw Full Mortise Hinges	91
Wide Throw Half Surface Hinges	91
Half Surface Hinges	92
Half Mortise Hinges	92
Full Surface Hinges	93
Full Surface Center Pivot Hinges	93
Full Surface Balanced Pivot Hinge	93
Full Mortise Residential Hinges	94
Firepins™	95
Double Swing Hinge	96
Emergency Release Stop	96
Power Transfer Units	97

### INDEX:

PRODUCT	PAGE	PRODUCT	PAGE	PRODUCT	PAGE
DSH	96	FM_SLISF	90	SPFM	88
EL-CEPT	97	FS	93	SPFM_SLF	88
EL-EPT	97	FS_BP	93	SPFM_SLI	88
EL-EPTL	97	FS_CP	93	WT_FM	91
EL-EPT-SC	97	HM	92	WT_HS	91
ERS	96	HS	92	X25M	85
FM	87	HS_SF	92	XF	85
FM_RG	89	K_FM	89	XI	85
FM_SF	90	OS_FM	86	XK	85
FM_SLF	87	OS_HS	86	XM	85
FM_SLF138	90	RS138	94		
FM_SLI	87	RS175	94		

NOTE: Products shown in this section may not be drawn to scale



## What is PemkoHinge®?

PemkoHinge® consists of two full-height, paired and geared leaves. Each geared leaf rotates evenly from top to bottom riding on proprietary polymer blended bearings. The geared leaves and bearings are held together by a full-length channel cap. This assembly retains the smooth, clean lines of the door and frame, while easily supporting heavy vertical loads.

## PemkoHinge®

### SECURITY, SAFETY, PRIVACY, LOW WEAR AND TEAR

#### PemkoHinge® Attributes:

- With a continuous hinge, typical alignment problems (such as door sag and binding) are eliminated
- The continuous hinge distributes load stress uniformly along the full length of the door and frame
- The gear design of the continuous hinge ensures symmetrical operation of each leaf
- ½ lb. or less operating force required to operate most doors, regardless of size
- Low operating force feature makes continuous hinges ideal for doors used by the physically challenged
- The continuous hinge, when installed on standard steel doors and frames, requires no additional reinforcement. However, hinge preps must have fillers installed for proper operation
- A high degree of security can be achieved for exterior openings or restricted spaces by using a continuous hinge. With the geared construction and the full-length channel cap, the common gap between the door and frame is sealed, which provides security against prying
- In addition, the continuous full-height hinge cap protects against pinching fingers in doors in public areas, particularly those where children are present
- Sight proof design of the continuous hinge provides privacy for lavatories, executive offices, or file rooms

#### PemkoHinge® Superior Design:

- PemkoHinge® has increased critical stress points of the hinge leaf extrusions providing additional strengths and rigidity to the completed product
- PemkoHinge® bearing design eliminates premature wear, guarantees proper alignment, and requires fewer bearings to carry more weight. The bearing is produced for Pemko using a chemical composition and injection process that provides a stronger, more accurately formed bearing
- PemkoHinge® is designed with inter-meshing gear segments in the hinge which provide 50% more bearing surface resulting in less wear
- PemkoHinge® goes through the anodizing process after completing all machining. This means the machined aluminum surfaces that are in direct contact with the bearing have a smoother, harder surface, thereby reducing wear
- PemkoHinge® maintains uniform bearing spacing for the full length of the hinge even when lengths exceed 10'
- Pemko uses self drilling No.12-24 x 11/16" Flat Head Undercut, Type C, thread-forming fasteners, no tapping required
- PemkoHinge® commercial models are ideal for use on lead lined doors (i.e. hospital X-ray rooms), without requiring special screw locations

### How To Order (Hinge Part Designations)

Example: D | SPFM | 85 | SLI | HD1

FINISHES		HINGE TYPES		LENGTHS	HINGE OPTIONS		CAPACITY	
BL	Black Anodized	FM	Full-Mortise	79	"blank"	Standard	"blank"	Standard Duty
BSP	Black Suede Powder Coat*	FS	Full-Surface	83	CP	Center Pivot	HD1	Heavy Duty, Grade 1
C	Clear Anodized	HS	Half-Surface	85	RG	Raised Gear	HD3	Heavy Duty, Grade 3
D	Dark Bronze Anodized	RS138	Full-Mortise Residential: 1¾"	95	SF	Safety		
G	Gold Powder Coat	RS175	Full-Mortise Residential: 1¾"	120	SL	Short Leaf (residential only)		
SN	Satin Nickel Powder Coat	SPFM	Special Full-Mortise		SLF	Short Leaf Flush		
WSP	White Suede Powder Coat *	WT_FM	Wide Throw Full-Mortise		SLI	Short Leaf Inset		
10BE	Satin Bronze Powder Coat *	WT_HS	Half-Surface					

\*Only available on select profiles

**PEMKO**  
**ASSA ABLOY**

Experience a safer  
and more open world

800-824-3018 | [www.pemko.com](http://www.pemko.com)  
Check the web site for the up-to-date catalog

Copyright © 2015-2022, ASSA ABLOY Accessories and Door Controls Group, Inc., an ASSA ABLOY Group company. All rights reserved.  
Reproduction in whole or in part without the express written permission of ASSA ABLOY Accessories and Door Controls Group, Inc. is prohibited.

## BHMA Certification Program

This program was developed to establish product classifications through performance testing. Three grades (1, 2 and 3) of product classifications were established for continuous hinges, with three weight groups (150, 300 and 600) for each grade: Grade 3 being the lowest and Grade 1 being the highest classification. Each classification and weight group has a set of established cycle requirements and wear characteristics, with a minimum for vertical and lateral wear to establish a listing under a weight and grade classification, after the set number of cycles is completed.

Maximum Vertical Wear Allowable:

Grade 3 = 0.105"

Grade 2 = 0.030"

Grade 1 = 0.020"

Maximum Lateral Wear Allowable:

All Grades = 0.062"

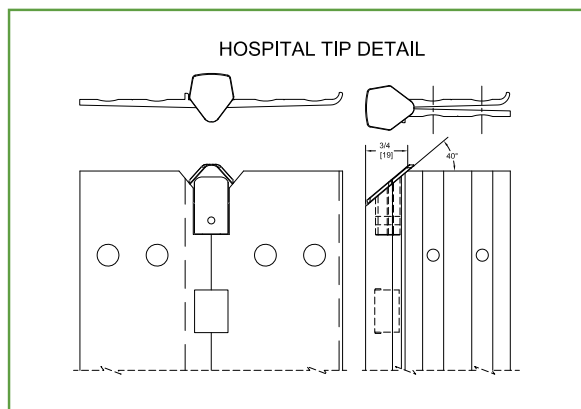
Cycle requirements range from Grade 3-600 requiring 100,000 cycles through Grade 1-150 requiring 2.5 million cycles.

For more information on certification testing or other product certification programs, please contact Pemko Customer Service.



## Hospital Tip

A special modification is available for certain hinges which provides a Hospital Tip Cap at the top of the gear cap, leaving no opening. A 45° angled cut on the gear cap and leaf covers provides a safe environment for hospitals and correctional facilities.



## Cycle Requirements - Per BHMA Standard ANSI/BHMA A156.26-2012

- Standard Duty Hinges (excluding \_RS175 & \_RS138) conform to Grade 3-150 and Grade 3-300
- HD3 Hinges conform to Grade 3-150, Grade 3-300, and Grade 3-600
- HD1 Hinges conform to Grade 2-150, Grade 1-300, and Grade 1-600
- 1100 Series and X-Series Hinges conform to Grade 1-150

## Weight Bearing - Per BHMA Standard ANSI/BHMA A156.26-2012

- This information pertains to all commercial models
- Heavier weight can be carried; please contact Customer Service for applications other than those listed in the chart
- Special hinge reinforcements are not required as hollow metal door and frame manufacturers' standard are acceptable. Removal of hinge reinforcements in the door and frame is not advised. Hinge preps must have fillers installed

## UL Fire Labeled 1½ & 3 Hour



LISTED  
DOOR HINGE  
76Y2

- All models designated with these symbols are tested and certified by Underwriters Laboratories Inc.® (U.S.A. and Canada) to standards UL10B, UL10C and UBC7.2 (positive pressure) for a 1½-Hour Fire Listing for all 4'0" x 10'0" and 8'0" x 10'0" door and frame assemblies. Fire listing certifications apply to all approved hollow metal and wood door assemblies in drywall or masonry wall construction
- Special FirePins™ are only required on 3-Hour assemblies. Please refer to page 95 for illustrations and information regarding the application of Pemko FirePins™

- All hinges are supplied with standard fastener kits. Replacement kits/individual fasteners may be purchased separately
- Particle Board/TORX fasteners may be purchased separately. Full-mortise hinges require 40 each; half-surface hinges require 20 each; full-surface hinges require 12 each
- All half-surface and full-surface hinges are supplied with a snap cover for the door leaf. Replacement snap covers may be purchased separately
- Rain caps may be purchased separately

# ELECTRICALLY MODIFIED CONTINUOUS GEARED HINGES

## Electrical Modifications

- Pemko has vastly improved the cycle performance of the electrically modified hinge. Performance testing has shown that 3,000,000+ cycles can now be achieved using Pemko's exclusive polyurethane-coated 4, 8, or 12 TRI-FLEX titanium copper alloy cables. Each cable is capable of carrying 6 amps continuous or 16 amps in-rush @ 24-volts for 820 milliseconds. When ordering, please use the "shorthand code" shown in the chart page 82. For example, if you require a Clear Anodized standard Full-Mortise hinge at 83" with Quick Connect transfer - 4-wire, modified 36 1/4" from the top, right hand, you would order a CFM83 with QC4 at 36 1/4" from top - RH

## Options for Electrically Modified Continuous Geared Hinges

These options allow variable degrees of service to be performed at the specific locations of the current carrying cables by installing a serviceable/removable hinge which includes a removable module (SER), or installing a hinge with a pivoting accessible feature (ACC).

- Both options (SER & ACC) are available in 4 Wire (QC4), 8 Wire (QC8), 12 Wire (QC12) variants
- Available on FM, FS, HS, KFM, SLF, SLI, XF, XI, XK, XM, X25M Models

## Serviceable/Removable (SER) Module

The hinge is furnished to be installed in three sections allowing the current carrying cable to be serviced or replaced without removing the door from the frame. Additionally, the SER option allows the current carrying cables to be safely stored or delivered to the electrician or security contractor prior to the installation of the electrified hardware, eliminating the necessity of the electrician or security contractor being present when the doors are being hung.

**Product Numbering Example:** CFM83HD1xSER4

## Accessible (ACC) Feature

The hinge is furnished to be installed in a single section with the leaves modified to pivot at the location of the current carrying cable and allow access to the cables and connected wiring.

**Product Numbering Example:** CFM83HD1xACC4

## Concealed Magnetic Monitoring (CM)

Concealed magnetic monitoring is also available with the SER and ACC options. Magnetic monitor is supplied with monitor and an adjustable magnet.

**Product Numbering Example:** CFM83HD1xSER4xCM  
CFM83HD1xACC4xCM

## Customer Information Needed:

- Specify handing and prep location

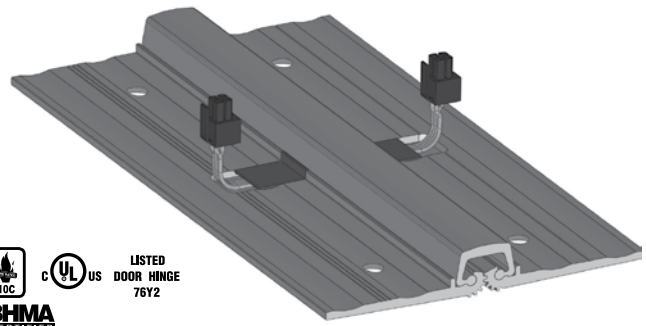
### Included:

- HD1, 1100 and X-Series model hinges using Molex connectors with ElectroLynx® are warranted for five (5) years. Standard duty and HD3 hinges are warranted for one (1) year

### ElectroLynx®

As part of their promise to provide innovative, fast and effective high security solutions to their customers, certain ASSA ABLOY Group brands offer ElectroLynx®, a universal quick-connect system that simplifies the electrification of the door opening.

ElectroLynx® is a registered trademark of ASSA ABLOY Inc.



Quick Connect Transfer For Full Mortise (FM) Hinges	QC4 4 WIRE	Quick Connect Transfer For Full Surface (FS) & Half Surface (HS) Hinges	QC4_S 4 WIRE
	QC8 8 WIRE		QC8_S 8 WIRE
	QC12 12 WIRE		QC12_S 12 WIRE

Additional Electrical Modifications Options Code	
Additional Length of Quick Connect Cable Leads	
Adjustable Concealed Magnetic Monitoring	CM
Power Transfer - Prep Only	PT



Experience a safer and more open world

800-824-3018 | www.pemko.com  
Check the web site for the up-to-date catalog

Copyright © 2015-2022, ASSA ABLOY Accessories and Door Controls Group, Inc., an ASSA ABLOY Group company. All rights reserved. Reproduction in whole or in part without the express written permission of ASSA ABLOY Accessories and Door Controls Group, Inc. is prohibited.

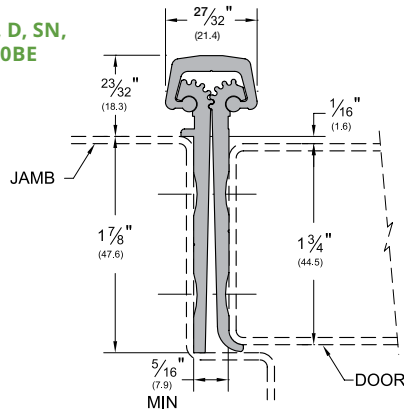
# X-SERIES HINGES

- Thicker leaves than traditional continuous geared hinge and requires no additional clearance
- X-Series Hinges are HD1 Grade as standard
- X-Series hinges allow for a deeper cavity for electrical wires when ordering an electrified hinge

## Full Mortise

XM\_

STANDARD FINISHES: **BSP, C, D, SN, WSP, 10BE**

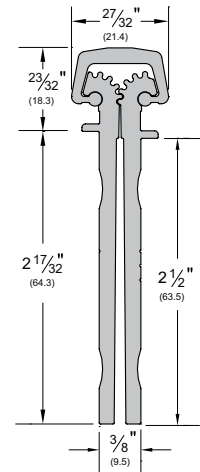


## Full Mortise for 2 1/2" Thick Door

- Wider hinge leaves to accommodate doors 2 1/2" thick

X25M\_

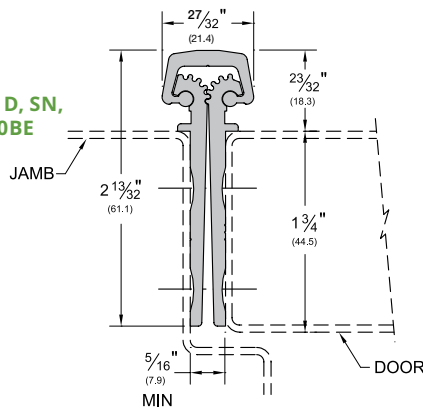
STANDARD FINISHES: **BSP, C, D, SN, WSP, 10BE**



## Short Leaf Flush

XF\_

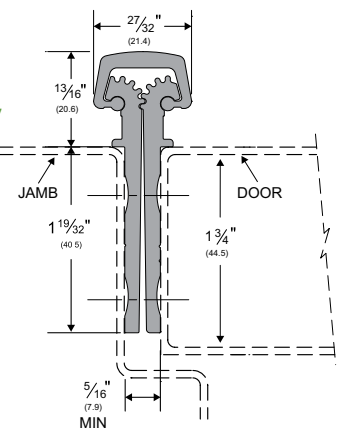
STANDARD FINISHES: **BSP, C, D, SN, WSP, 10BE**



## Kawneer Full Mortise

XK\_

STANDARD FINISHES: **BSP, C, D, SN, WSP, 10BE**

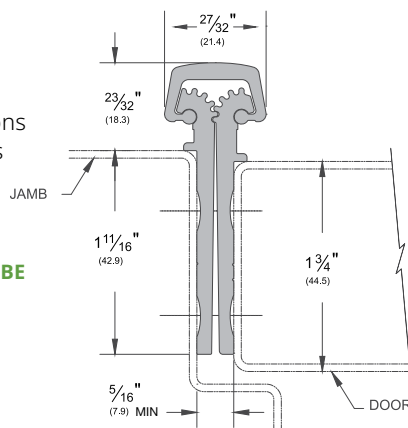


## Short Leaf Inset

- Designed for use with hollow metal doors where the inset conforms to S.D.I. specifications for aligning doors and frames

XI\_

STANDARD FINISHES: **BSP, C, D, SN, WSP, 10BE**



AVAILABLE FINISHES FOR PRODUCTS SHOWN ON THIS PAGE (see General Information section for finish chart)  
**10BE** (Satin Bronze Powder Coated Aluminum) **BSP** (Black Suede Powder Coated Aluminum) **C** (Clear Anodized)  
**D** (Dark Bronze Anodized) **SN** (Satin Nickel Powder Coated Aluminum) **WSP** (White Suede Powder Coated Aluminum)

800-824-3018 | www.pemko.com

Check the web site for the up-to-date catalog

Copyright © 2015-2022, ASSA ABLOY Accessories and Door Controls Group, Inc., an ASSA ABLOY Group company. All rights reserved. Reproduction in whole or in part without the express written permission of ASSA ABLOY Accessories and Door Controls Group, Inc. is prohibited.

**PEMKO**  
**ASSA ABLOY**

Experience a safer  
 and more open world

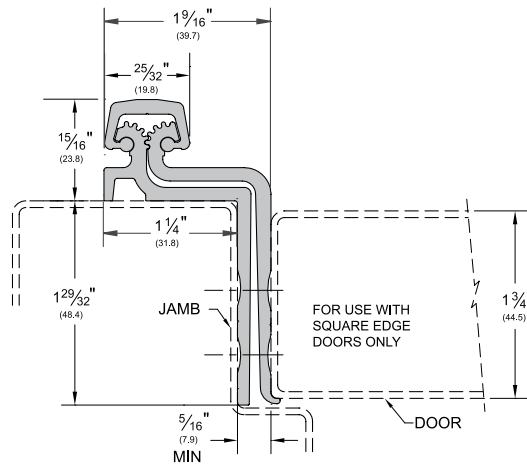
# OFFSET HINGES

- Used when extra clearance is needed when the door is open at 90°

## Offset Full Mortise

\_OS\_FM

STANDARD FINISHES: **C, D**

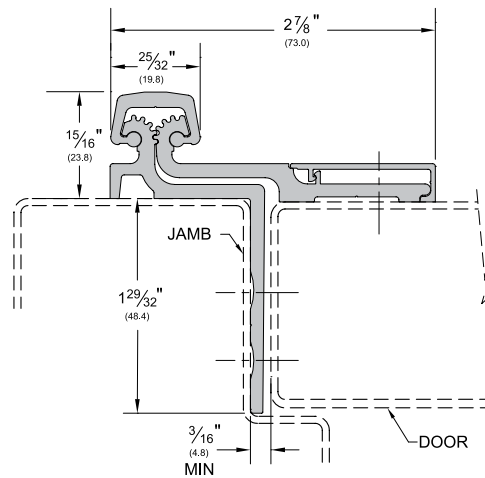


## Offset Half Surface

- Replacement snap cover is C1 for Clear Anodized or D1 for Dark Bronze Anodized

\_OS\_HS

STANDARD FINISHES: **C, D**



AVAILABLE FINISHES FOR PRODUCTS SHOWN ON THIS PAGE (see General Information section for finish chart)  
**C** (Clear Anodized) **D** (Dark Bronze Anodized)



Experience a safer  
and more open world

800-824-3018 | www.pemko.com  
Check the web site for the up-to-date catalog

Copyright © 2015-2022, ASSA ABLOY Accessories and Door Controls Group, Inc., an ASSA ABLOY Group company. All rights reserved. Reproduction in whole or in part without the express written permission of ASSA ABLOY Accessories and Door Controls Group, Inc. is prohibited.

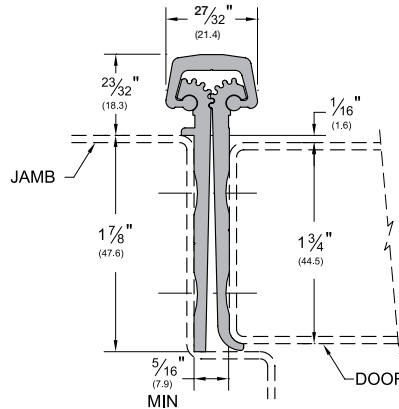
# FULL MORTISE HINGES

- Full-Mortise units are designed mainly for new door applications and are applied to the frame rabbet and door edge to conceal both leaves

## Full Mortise

\_FM

STANDARD FINISHES: **BSP, C, D, SN, WSP, 10BE**



## Modular Hinge Option

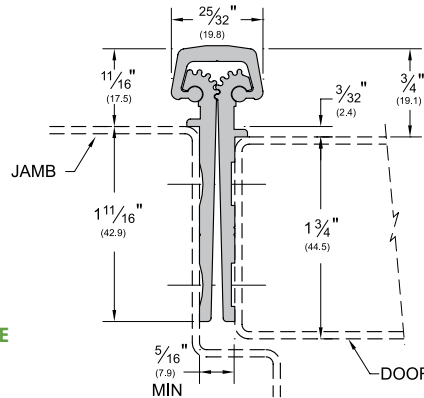
- Hinge is provided in 2 or 3 segments depending on length
- Hinges are packed in a shorter box and are easier to ship, transport, and store than traditional continuous hinges
- Available for select models, see price book for model availability

## Full Mortise Short Leaf Inset

- Designed for use with doors which range between 1 3/4" to 2 1/4"
- Designed for use with hollow metal doors and frames where the inset conforms to S.D.I. specifications for aligning doors and frames

\_FM\_SLI

STANDARD FINISHES: **BSP, C, D, SN, WSP, 10BE**

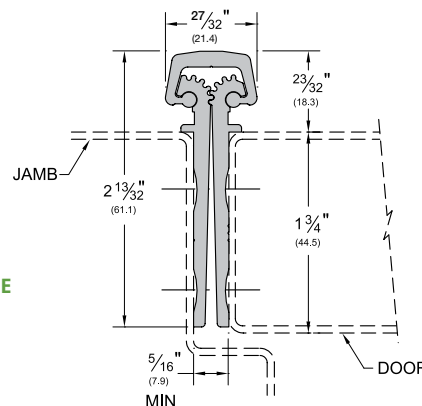


## Full Mortise Short Leaf Flush

- Designed for use with doors which range between 1 3/4" to 2 1/4"
- Also used for bifold applications to keep the faces of the doors flush (not illustrated)

\_FM\_SLF

STANDARD FINISHES: **BSP, C, D, SN, WSP, 10BE**



## Modular Hinge Option

- Hinge is provided in 2 or 3 segments depending on length
- Hinges are packed in a shorter box and are easier to ship, transport, and store than traditional continuous hinges
- Available for select models, see price book for model availability

AVAILABLE FINISHES FOR PRODUCTS SHOWN ON THIS PAGE (see General Information section for finish chart)  
**10BE** (Satin Bronze Powder Coated Aluminum) **BSP** (Black Suede Powder Coated Aluminum) **C** (Clear Anodized)  
**D** (Dark Bronze Anodized) **SN** (Satin Nickel Powder Coated Aluminum) **WSP** (White Suede Powder Coated Aluminum)

800-824-3018 | www.pemko.com

Check the web site for the up-to-date catalog

Copyright © 2015-2022, ASSA ABLOY Accessories and Door Controls Group, Inc., an ASSA ABLOY Group company. All rights reserved. Reproduction in whole or in part without the express written permission of ASSA ABLOY Accessories and Door Controls Group, Inc. is prohibited.

**PEMKO**  
**ASSA ABLOY**

Experience a safer  
 and more open world



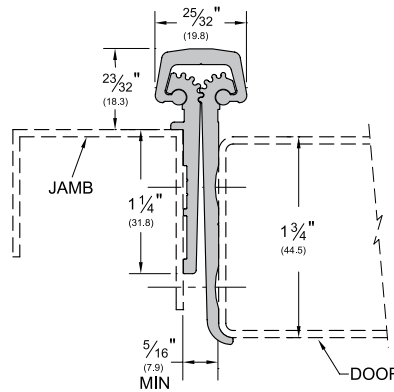
# SPECIAL FULL MORTISE HINGES

- Special Full-Mortise units are designed for door and frame applications where the hinge leaf may interfere with the weatherstrip, thermal break, or applied stop of the frame
- Special Full-Mortise hinges are applied to the frame rabbet and door edge to conceal both leaves

## Special Full Mortise

\_SPFM

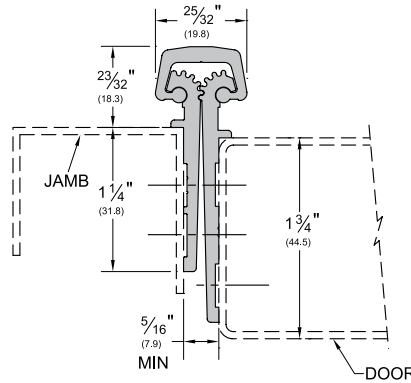
STANDARD FINISHES: **BSP, C, D, SN, WSP, 10BE**



## Special Full Mortise Short Leaf Inset

\_SPFM\_SLI

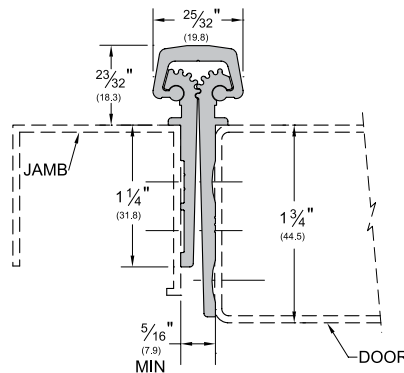
STANDARD FINISHES: **BSP, C, D, SN, WSP, 10BE**



## Special Full Mortise Short Leaf Flush

\_SPFM\_SLF

STANDARD FINISHES: **BSP, C, D, SN, WSP, 10BE**



AVAILABLE FINISHES FOR PRODUCTS SHOWN ON THIS PAGE (see General Information section for finish chart)  
**10BE** (Satin Bronze Powder Coated Aluminum) **BSP** (Black Suede Powder Coated Aluminum) **C** (Clear Anodized)  
**D** (Dark Bronze Anodized) **SN** (Satin Nickel Powder Coated Aluminum) **WSP** (White Suede Powder Coated Aluminum)



Experience a safer and more open world

800-824-3018 | www.pemko.com  
 Check the web site for the up-to-date catalog

Copyright © 2015-2022, ASSA ABLOY Accessories and Door Controls Group, Inc., an ASSA ABLOY Group company. All rights reserved. Reproduction in whole or in part without the express written permission of ASSA ABLOY Accessories and Door Controls Group, Inc. is prohibited.



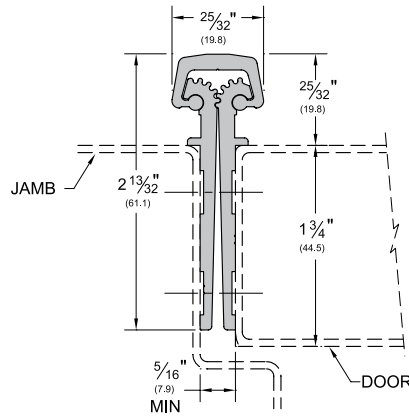
# FULL MORTISE HINGE

- Like our other Full Mortise units, the Kawneer Hinges are designed mainly for new door applications and are applied to the frame rabbet and door edge to conceal both leaves
- Developed for the Kawneer "Tuffline" series of aluminum doors

## Kawneer Full Mortise

K\_FM

STANDARD FINISHES: **BSP, C, D, SN, WSP, 10BE**



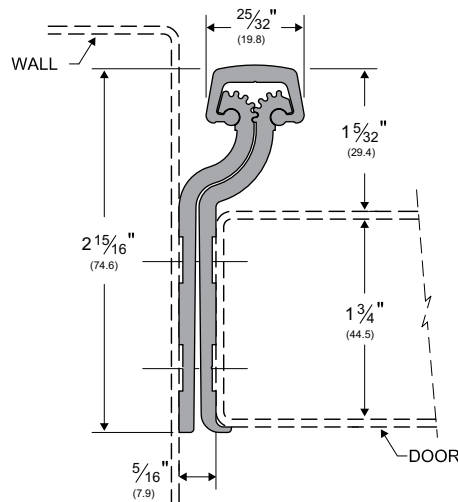
## Raised Gear Hinge

- Designed for wood or metal cased openings when hinge is to be installed deep on the rabbet. The design of the leaves allows for the hinge to pivot without interference from the cap.
- Certain door/frame conditions may require an extra 1/32" to 1/16" clearance. Excessive clearance on fire rated assemblies may violate the requirements of NFPA80

## Full Mortise Raised Gear

\_FM\_RG

STANDARD FINISHES: **BSP, C, D, SN, WSP, 10BE**



AVAILABLE FINISHES FOR PRODUCTS SHOWN ON THIS PAGE (see General Information section for finish chart)  
**10BE** (Satin Bronze Powder Coated Aluminum) **BSP** (Black Suede Powder Coated Aluminum) **C** (Clear Anodized)  
**D** (Dark Bronze Anodized) **SN** (Satin Nickel Powder Coated Aluminum) **WSP** (White Suede Powder Coated Aluminum)

800-824-3018 | www.pemko.com  
 Check the web site for the up-to-date catalog

Copyright © 2015-2022, ASSA ABLOY Accessories and Door Controls Group, Inc., an ASSA ABLOY Group company. All rights reserved.  
 Reproduction in whole or in part without the express written permission of ASSA ABLOY Accessories and Door Controls Group, Inc. is prohibited.



Experience a safer and more open world

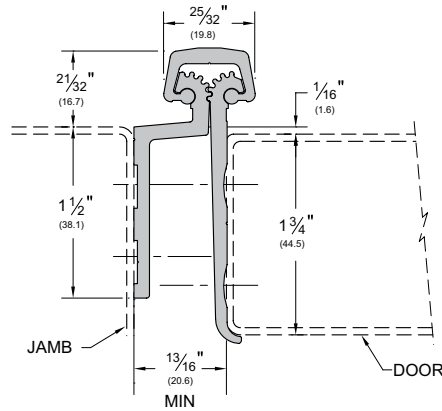
# FULL MORTISE SAFETY HINGE

- Full Mortise Safety units are designed mainly for new door applications in child care and nursing facilities
- These hinges require extra clearance and are applied to conceal both leaves

## Full Mortise Safety

\_FM\_SF

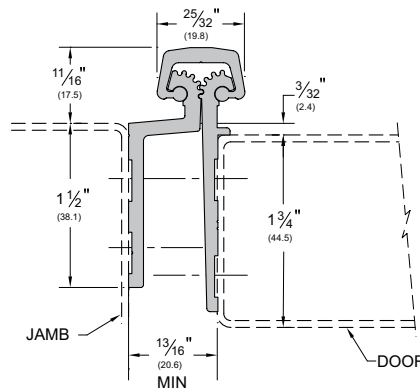
STANDARD FINISHES: **BSP, C, D, SN, WSP, 10BE**



## Full Mortise Short Leaf Inset Safety

\_FM\_SLISF

STANDARD FINISHES: **BSP, C, D, SN, WSP, 10BE**



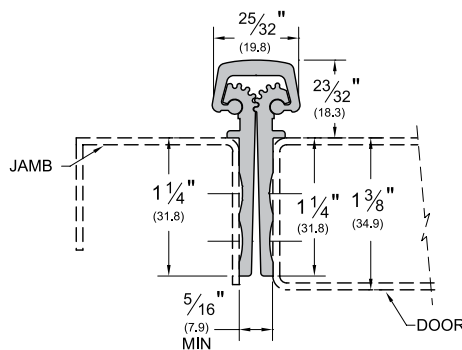
## Full Mortise Hinge for 1 3/8\" Door

- More bearings than \_RS138 hinge to work in commercial grade application
- Shorter leaves for thinner doors

## Full Mortise

FM\_SLF138

STANDARD FINISHES: **BSP, C, D, SN, WSP, 10BE**



AVAILABLE FINISHES FOR PRODUCTS SHOWN ON THIS PAGE (see General Information section for finish chart)  
**10BE** (Satin Bronze Powder Coated Aluminum) **BSP** (Black Suede Powder Coated Aluminum) **C** (Clear Anodized)  
**D** (Dark Bronze Anodized) **SN** (Satin Nickel Powder Coated Aluminum) **WSP** (White Suede Powder Coated Aluminum)



Experience a safer and more open world

800-824-3018 | www.pemko.com  
 Check the web site for the up-to-date catalog

Copyright © 2015-2022, ASSA ABLOY Accessories and Door Controls Group, Inc., an ASSA ABLOY Group company. All rights reserved. Reproduction in whole or in part without the express written permission of ASSA ABLOY Accessories and Door Controls Group, Inc. is prohibited.

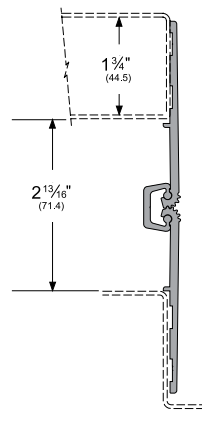
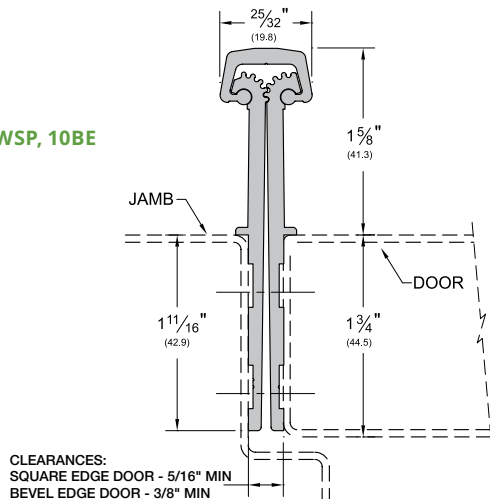
## WIDE THROW FULL MORTISE HINGE

- Wide Throw Full Mortise units are designed mainly for new door applications that require extra clearance due to special frame, door or wall design, and are applied to the frame rabbet and door edge to conceal both leaves
- More clearance between the door and frame when door is open 180°
- Available only in heavy duty to support larger doors

### Wide Throw Full Mortise

WT\_FM

STANDARD FINISHES: **BSP, C, D, SN, WSP, 10BE**



WT\_FM in full open position.

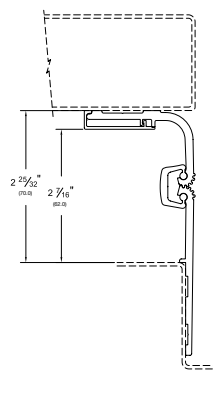
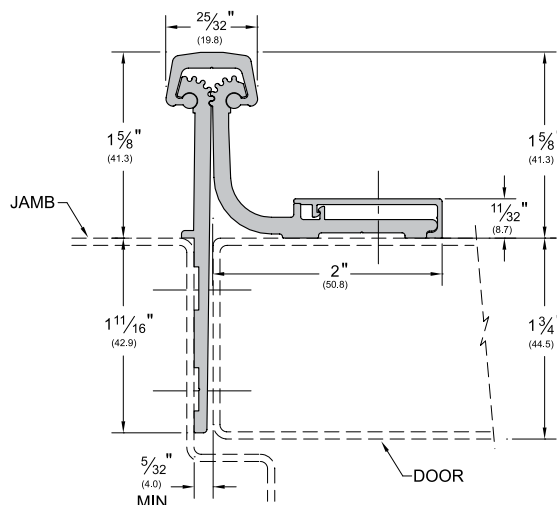
## WIDE THROW HALF SURFACE HINGE

- Wide Throw Half Surface units are designed mainly for retrofit applications that require extra clearance due to special frame, door, or wall design and are applied to the frame rabbet and the exposed door surface
- Wide Throw Half Surface units combine the versatility of the Half Surface unit and the clearance of a Wide Throw hinge into one
- Replacement snap cover is C1 for Clear Anodized or D1 for Dark Bronze Anodized

### Wide Throw Half Surface

WT\_HS

STANDARD FINISHES: **C, D**



WT\_HS in full open position.

AVAILABLE FINISHES FOR PRODUCTS SHOWN ON THIS PAGE AS INDICATED BY PROFILE

(see General Information section for finish chart)

**10BE** (Satin Bronze Powder Coated Aluminum) **BSP** (Black Suede Powder Coated Aluminum) **C** (Clear Anodized)  
**D** (Dark Bronze Anodized) **SN** (Satin Nickel Powder Coated Aluminum) **WSP** (White Suede Powder Coated Aluminum)

800-824-3018 | [www.pemko.com](http://www.pemko.com)

Check the web site for the up-to-date catalog

Copyright © 2015-2022, ASSA ABLOY Accessories and Door Controls Group, Inc., an ASSA ABLOY Group company. All rights reserved.  
 Reproduction in whole or in part without the express written permission of ASSA ABLOY Accessories and Door Controls Group, Inc. is prohibited.

**PEMKO**  
**ASSA ABLOY**

Experience a safer  
 and more open world

## HALF SURFACE HINGE

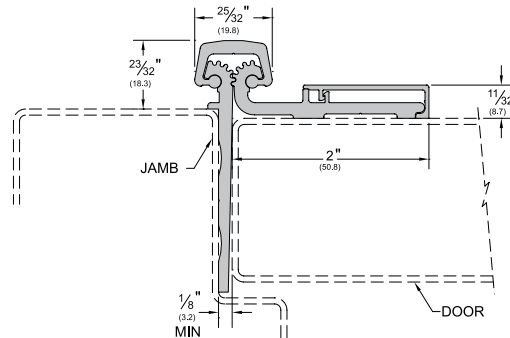
- Half Surface units are designed mainly for retrofit work, and are applied to the exposed surface of the door and the frame rabbet
- Designed for use with hollow metal frames, where the inset conforms to S.D.I. specifications for aligning doors and frames

- Allows for adjustments in order to properly align edge of the door to the frame
- Replacement snap cover is C1 for Clear Anodized or D1 for Dark Bronze Anodized

### Half Surface

\_HS

STANDARD FINISHES: **C, D**



## HALF SURFACE SAFETY HINGE

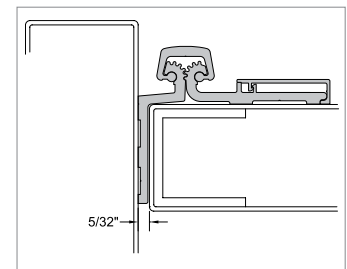
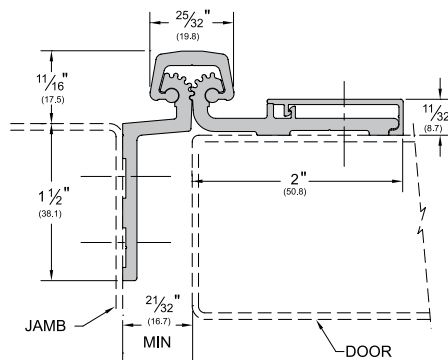
- Half Surface Safety units are designed mainly for retrofit work in child care and nursing facilities and are applied to the exposed surface of the door and the frame rabbet

- Replacement snap cover is C1 for Clear Anodized or D1 for Dark Bronze Anodized

### Half Surface Safety

\_HS\_SF

STANDARD FINISHES: **C, D**



HS\_SF in deep frame application is no longer a safety hinge

## HALF MORTISE HINGE

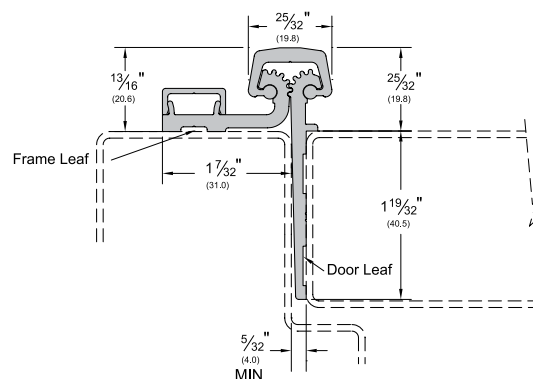
- Half Mortise units are designed mainly for retrofit work and are applied to the exposed surface of the frame and the door edge
- Designed to require only 5/32" clearance instead of 5/16" and also allows for adjustments to properly align edge of the door to the frame face

- Replacement snap cover is C29316 for Clear Anodized or D29316 for Dark Bronze Anodized

### Half Mortise

\_HM

STANDARD FINISHES: **C, D**



AVAILABLE FINISHES FOR PRODUCTS SHOWN ON THIS PAGE (see General Information section for finish chart)  
**C** (Clear Anodized) **D** (Dark Bronze Anodized)



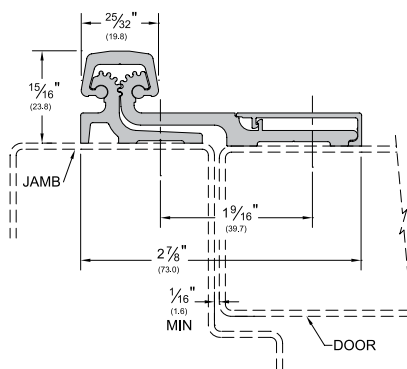
Experience a safer and more open world

800-824-3018 | www.pemko.com  
 Check the web site for the up-to-date catalog

Copyright © 2015-2022, ASSA ABLOY Accessories and Door Controls Group, Inc., an ASSA ABLOY Group company. All rights reserved. Reproduction in whole or in part without the express written permission of ASSA ABLOY Accessories and Door Controls Group, Inc. is prohibited.

## STANDARD FULL SURFACE HINGE

- Full Surface units are designed mainly for retrofit work, and are applied to the exposed surfaces of the door and frame
- Replacement snap cover is C1 for Clear Anodized or D1 for Dark Bronze Anodized



### Modular Hinge Option

- Hinge is provided in 2 or 3 segments depending on length
- Hinges are packed in a shorter box and are easier to ship, transport, and store than traditional continuous hinges
- Available for select models, see price book for model availability

### Full Surface

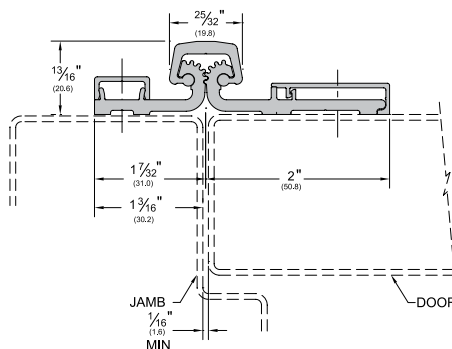
\_FS

STANDARD FINISHES: **C, D**



## FULL SURFACE CENTER PIVOT HINGE

- Full Surface Center Pivot units are designed mainly for retrofit work and are applied to the exposed surfaces of the door and frame
- Full Surface Center Pivot units easily replace butt hinges since no door or frame adjustments are necessary and are more versatile with restricted frame faces
- Replacement snap cover for door leaf is C1 for Clear Anodized or D1 for Dark Bronze Anodized. Replacement snap cover for frame leaf is C29316 for Clear Anodized or D29316 for Dark Bronze Anodized



### Full Surface Center Pivot

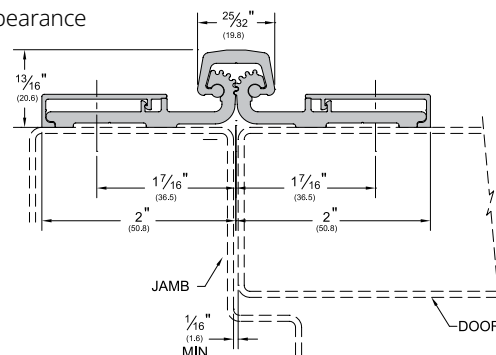
\_FS\_CP

STANDARD FINISHES: **C, D**



## FULL SURFACE BALANCED PIVOT HINGE

- Allows for easy replacement from butt hinges as the pivot point remains the same and no door or frame adjustments are necessary
- No template adjustments are needed for existing door opening/closing devices
- Equal length leaves provide an aesthetic appearance
- Good in a bi-fold application where two doors need to be hinged
- Replacement snap cover for either leaf is C1 for Clear Anodized or D1 for Dark Bronze Anodized



### Full Surface Balanced Pivot

\_FS\_BP

STANDARD FINISHES: **C, D**



AVAILABLE FINISHES FOR PRODUCTS SHOWN ON THIS PAGE (see General Information section for finish chart)  
**C** (Clear Anodized) **D** (Dark Bronze Anodized)

800-824-3018 | www.pemko.com

Check the web site for the up-to-date catalog

Copyright © 2015-2022, ASSA ABLOY Accessories and Door Controls Group, Inc., an ASSA ABLOY Group company. All rights reserved. Reproduction in whole or in part without the express written permission of ASSA ABLOY Accessories and Door Controls Group, Inc. is prohibited.

**PEMKO**  
**ASSA ABLOY**

Experience a safer  
 and more open world

# FULL MORTISE RESIDENTIAL HINGES

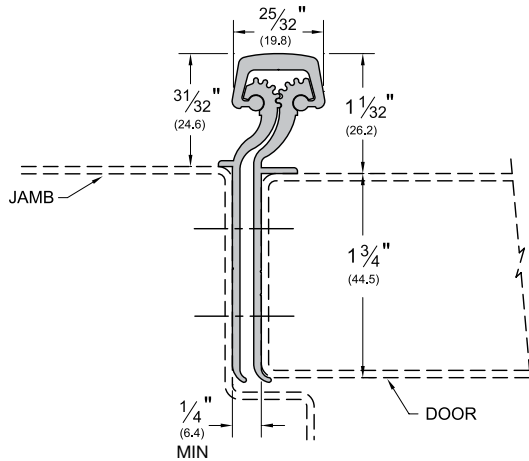
- Full Mortise Residential units are designed mainly for new door and frame applications, and are applied to conceal both leaves

NOTE: All RS series hinges are excluded from the "LIFE OF THE OPENING" guarantee, and instead carry a ten (10) year warranty

## \_RS175

STANDARD FINISHES: **C, D**

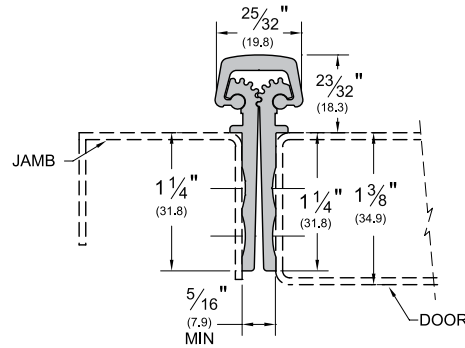
- Designed for 1<sup>3</sup>/<sub>4</sub>" MAXIMUM thickness with a weight up to 90 lbs.



## \_RS138

STANDARD FINISHES: **C, D**

- Shorter leaves for thinner doors
- Designed for doors 1<sup>3</sup>/<sub>8</sub>" thick with a weight limit up to 90 lbs.



AVAILABLE FINISHES FOR PRODUCTS SHOWN ON THIS PAGE (see General Information section for finish chart)  
**C** (Clear Anodized) **D** (Dark Bronze Anodized)



Experience a safer and more open world

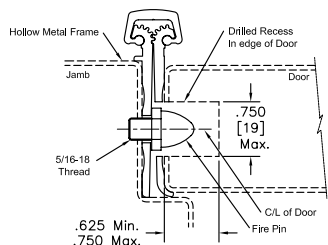
800-824-3018 | [www.pemko.com](http://www.pemko.com)  
 Check the web site for the up-to-date catalog

Copyright © 2015-2022, ASSA ABLOY Accessories and Door Controls Group, Inc., an ASSA ABLOY Group company. All rights reserved. Reproduction in whole or in part without the express written permission of ASSA ABLOY Accessories and Door Controls Group, Inc. is prohibited.

# FIREPINS FOR USE WITH 3-HOUR FIRE RATED ASSEMBLIES

- FirePins™ are required to achieve 3-hour fire rating
- Although PemkoHinge® Continuous Hinges carry UL Fire Ratings unequalled in the industry, some applications may require the use of FirePins™
- FirePin™ applications fall within the UL guidelines for retro-fitting assemblies in the field. Expensive shop modifications and door/frame reinforcements are not required
- FirePins™ also add extra security to a door assembly

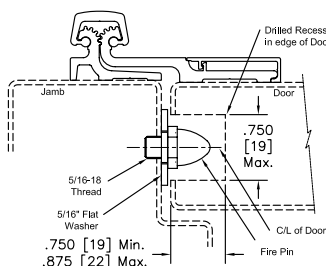
## Full Mortise Hinges



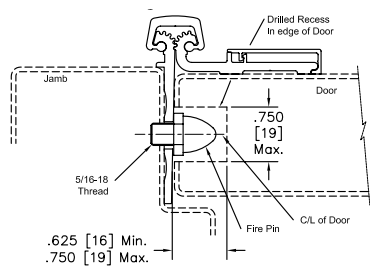
### FirePin Locations

- The locations (illustrated right) indicate where holes should be drilled on the hinge edge of the door
- These locations are appropriate for all hinge models (Full Mortise, Full Surface, and Half Surface)

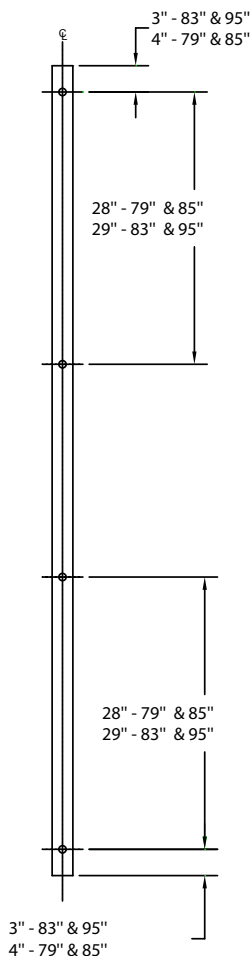
## Full Surface Hinges



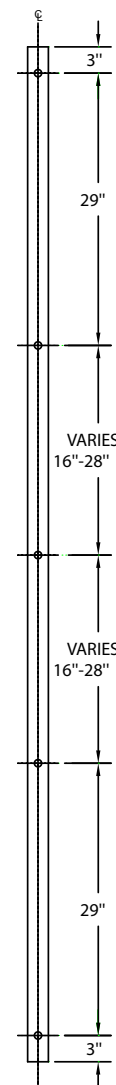
## Half Surface Hinges



### 80" to 95" Hinges



### 96" to 120" Hinges



# DOUBLE SWING HINGE AND EMERGENCY RELEASE STOP

- Innovative healthcare solution that permits quick door opening in an emergency situation
- Double Swing Hinge has a unique 100° swing and allows the door to swing in either direction
- Emergency Release Stop features a special flush bolt that is used to release the door in an emergency situation. Hospital tip is standard.

- The Double Swing Hinge and Emergency Release Stop are accepted by the New York State Office of Mental Health (OMH) for use in high risk areas.
- The Markar DSH1000 Pin & Barrel Double Swing Hinge is another option to use with the Emergency Release Stop to create an anti-barricade system. See the Markar products section of this catalog for more information.
- Order form required, available online.

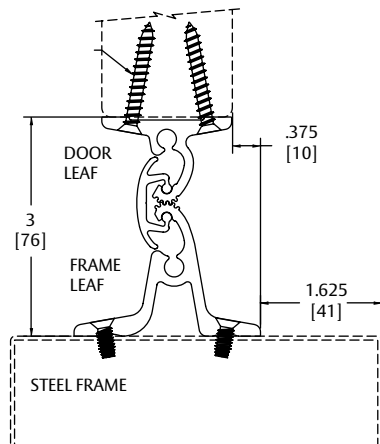
## Double Swing Hinge

- Meets the cycle test requirements for ANSI/BHMA A156.26 for Continuous Hinges.
- Meets the barrier free requirements of ICC/ANSI A117.1 and ADAAG (2010)

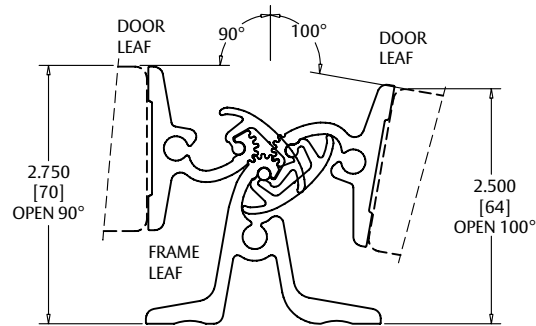
DSH\_

AVAILABLE FINISHES: C

- Designed for 1¾" MAXIMUM thickness with a weight up to 250 lbs.



Hinge Size	Opening	Clear Anodized
84"	7' 0"	DSHP01C-84
96"	8' 0"	DSHP01C-96
120"	10' 0"	DSHP01C-120



NOTE: DSH1000 Pin & Barrel Double Swing Hinge shown on page 67

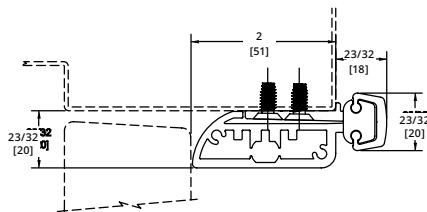
## Emergency Release Stop

- Minimum 2¾" backset for hardware trim
- NOTE: With 2¾" hardware trim backset, a Notch is required in the ERS to clear the hardware trim. The type of Notch is determined by the manufacturer based on the information provide on the order form.

- To avoid using an extended lip strike, use a single rabbit jamb on strike side of frame only with cased open header and hinge jamb.

ERS\_

AVAILABLE FINISHES: C



Hinge Size	Opening	Clear Anodized - Left Hand	Clear Anodized - Right Hand
84"	7' 0"	ERS84CxHT-LH	ERS84CxHT-RH
96"	8' 0"	ERS96CxHT-LH	ERS96CxHT-RH
120"	10' 0"	ERS120CxHT-LH	ERS120CxHT-RH

AVAILABLE FINISHES FOR PRODUCTS SHOWN ON THIS PAGE (see General Information section for finish chart)  
C (Clear Anodized)



Experience a safer and more open world

800-824-3018 | www.pemko.com  
Check the web site for the up-to-date catalog

Copyright © 2015-2022, ASSA ABLOY Accessories and Door Controls Group, Inc., an ASSA ABLOY Group company. All rights reserved. Reproduction in whole or in part without the express written permission of ASSA ABLOY Accessories and Door Controls Group, Inc. is prohibited.



## POWER TRANSFERS

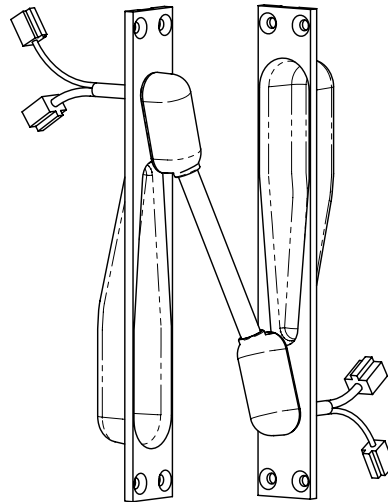
- These Securitron electronic power transfer units fit into doors and frames to transfer power from your power supply to the door-mounted electronic device
- Contact your hinge manufacturer for cutout availability
- Order form required, available online

### EL-CEPT

AVAILABLE COLORS:

**US32D, US10B**

- Mortises into the edges of the door and frame
- Tamper-resistant; no exposed openings
- All metal construction, including backboxes
- 7/8" knockouts on back boxes to accommodate EMF-type fitting
- 12-wire configuration with ElectroLynx compatible connectors
- Tested to 1,000,000 cycles
- Will not work on center-hung or balanced doors
- Works with most continuous hinges, up to 6" wide
- UL10B and UL10C listed



### EL-EPT

AVAILABLE COLORS:

**US2C**

- Installs in the door and frame edges
- Flexible steel shield protects wires—3/8" (9.5mm) I.D.
- New universal device; works with most butt and continuous hinges
- Not for use with center pivot doors or with pivot hinges with offset greater than 3/4"
- UL634, UL10B, UL10C Listed
- ANSI A250.13-2003-Windstorm Resistant



### EL-EPTL

AVAILABLE COLORS:

**US2C**

- Installs in the door and frame edges
- Flexible steel shield protects wires—3/8" (9.5mm) I.D.
- New universal device; works with most butt and continuous hinges
- Not for use with center pivot doors or with pivot hinges with offset greater than 3/4"
- UL634, UL10B, UL10C Listed
- ANSI A250.13-2003-Windstorm Resistant

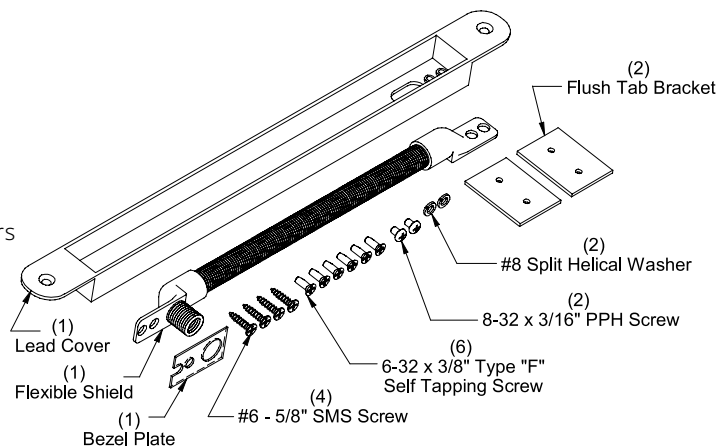


### EL-EPT-SC

AVAILABLE COLORS:

**US2C**

- Installs in the door and frame edges
- Flexible steel shield protects wires—3/8" (9.5mm) I.D.
- New universal device; works with most butt and continuous hinges
- Functions on off-set pivot and swing clear hinged doors
- UL634, UL10B, UL10C Listed
- ANSI A250.13-2003-Windstorm Resistant



800-824-3018 | [www.pemko.com](http://www.pemko.com)

Check the web site for the up-to-date catalog

Copyright © 2015-2022, ASSA ABLOY Accessories and Door Controls Group, Inc., an ASSA ABLOY Group company. All rights reserved. Reproduction in whole or in part without the express written permission of ASSA ABLOY Accessories and Door Controls Group, Inc. is prohibited.

**PEMKO**  
**ASSA ABLOY**

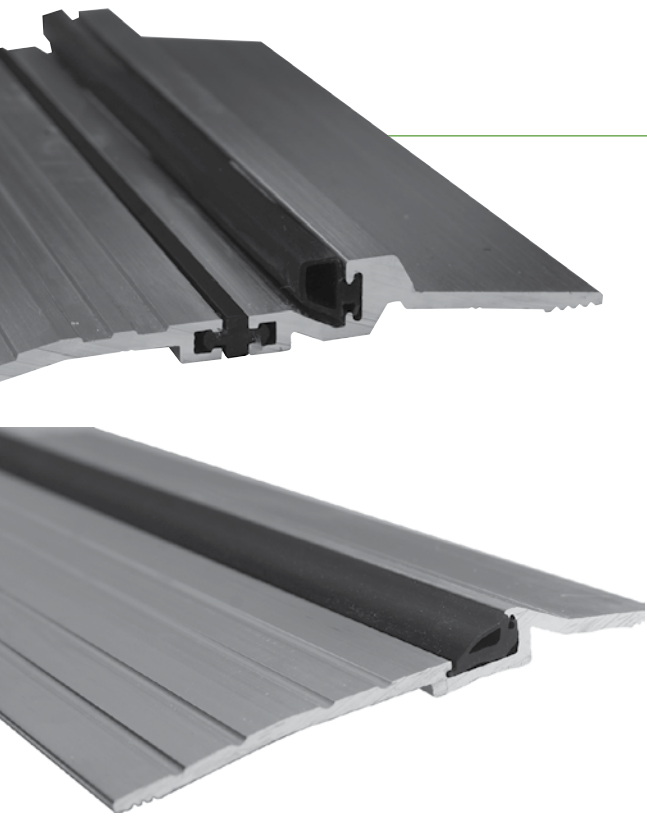
Experience a safer  
and more open world



Experience a safer  
and more open world

800-824-3018 | [www.pemko.com](http://www.pemko.com)  
*Check the web site for the up-to-date catalog*

Copyright © 2015-2022, ASSA ABLOY Accessories and Door Controls Group, Inc., an ASSA ABLOY Group company. All rights reserved.  
Reproduction in whole or in part without the express written permission of ASSA ABLOY Accessories and Door Controls Group, Inc. is prohibited.



# COMMERCIAL THRESHOLDS

## CONTENTS:

Saddle Thresholds .....	100
Half Saddle Thresholds.....	106
Offset Saddles and Offset Half Saddles .....	109
Stainless Steel Saddles.....	110
Stainless Steel Half Saddles and Offset Saddles .....	111
Thermal Break Saddles.....	112
Stainless Steel Thermal Break Threshold .....	115
Latching Panic Exit Saddles .....	116
Latching Panic Exit Saddles - Thermal Break .....	120
Acoustic Thresholds .....	123
Threshold with Flexible Joint.....	123
Eco-V™ Thresholds.....	124
Adjustable-Width Eco-V™ Threshold.....	125
Heavy Duty Latching Panic Exit Saddle Threshold .....	126
Heavy Duty Thresholds.....	126
Modular Heavy Duty Thresholds .....	127
Floor Plates/Safety Treads.....	128
Aluminum Plates .....	129
Carpet Separators.....	130
Floor Plate Supports/Accessories and Elevators.....	131
Threshold Stop Strips.....	132
Floor Closer Thresholds/Cover Plate Assemblies .....	133
ANSI/BHMA A156.21 Thresholds - Cross Reference .....	134

## INDEX:

PRODUCT	PAGE	PRODUCT	PAGE	PRODUCT	PAGE	PRODUCT	PAGE	PRODUCT	PAGE
14/1 .....	129	195.....	131	255x5.....	105	290 .....	132	2555 .....	108
18/1 .....	129	196.....	131	255x5_FG.....	113	566 .....	109	2565 .....	108
151 .....	100	200 .....	131	255x 226 .....	119	566x3_FG .....	114	2705 .....	126
154 .....	103	227 .....	128	255x226_FG.....	120	573x5_FG .....	123	2715 .....	126
154SS.....	110	228 .....	128	256 .....	108	766 .....	109	2716 .....	126
157.....	110	229 .....	128	256x6.....	105	766x3_FG.....	114	2727 .....	110
158.....	109	230 .....	130	256x6_FG.....	112	1547 .....	103	2746 .....	107
158SS.....	110	236 .....	130	257x259 .....	133	1710.....	103	2746x6.....	101
159.....	118	252 .....	107	270.....	100	1715.....	126	2746x6_FG .....	112
166.....	102	252SS.....	110	271 .....	100	1716.....	127	2746x292_FGPK.....	122
169.....	102	252x2_FG .....	113	272 .....	100	1717.....	127	2748 .....	101
170.....	102	252x2SSFG.....	115	273 .....	106	1718.....	127	2748 .....	133
171.....	104	252x3_FG .....	113	273x3_FG .....	112	1719.....	127	2748x270.....	133
172.....	104	252x3SSFG.....	115	273x4_FG.....	112	1842.....	132	2748x271 .....	133
173.....	100	252x4SSFG.....	115	273x224_FG.....	121	1855 .....	118	2749 .....	101
174.....	130	252x226 .....	119	273x292_FGPK.....	122	1951 .....	130	2750 .....	101
175.....	103	252x226_FG.....	120	274 .....	106	2001 .....	116	2755 .....	107
175SS.....	110	253 .....	107	274x4 .....	101	2002 .....	116	19125 .....	129
176.....	104	253SS.....	110	274x4_FG.....	112	2005 .....	116	19325 .....	129
176 .....	133	253x3_FG .....	113	274x4x270 .....	133	2006 .....	116	ADJ232V8.....	125
176x170.....	133	253x3SS FG.....	115	274x4x271 .....	133	2006STC.....	123	ADJ232V14.....	125
176x171 .....	133	253x4_FG.....	113	274x224_FG .....	121	2007 .....	117	ADJ232x2325V8.....	125
177.....	118	253x4SS FG.....	115	274x292_FGPK.....	122	2007STC.....	123	EV232 .....	124
179.....	117	253x6_FG .....	114	276.....	101	2008.....	123	EV2320 .....	124
181.....	118	253x226_FG.....	120	276.....	133	2009.....	117	EV2322 .....	124
182.....	110	254 .....	107	276x270 .....	133	2010.....	117	EV2325 .....	124
183.....	131	254SS.....	111	276x271 .....	133	2266 .....	128	EV2326 .....	124
184.....	132	254x4.....	104	277 .....	117	2286 .....	128		
185.....	119	254x4_FG.....	114	278 .....	106	2364 .....	130		
188.....	131	254x4SS FG.....	115	278x224_FG.....	121	2366.....	130		
189.....	131	254x4x170.....	133	278X292_FGPK.....	122	2548.....	104		
190.....	128	254x4x171 .....	133	279.....	106	2548.....	133		
191 .....	128	254x5_FG .....	114	279x224_FG.....	121	2548x170.....	133		
192.....	128	254x226 .....	119	279x292_FGPK.....	122	2548x171.....	133		
193.....	128	254x226_FG.....	120	282 .....	131	2549 .....	105		
193x2/195.....	133	255 .....	107	283 .....	131	2550.....	105		

800-824-3018 | [www.pemko.com](http://www.pemko.com)

Check the web site for the up-to-date catalog

Copyright © 2015-2022, ASSA ABLOY Accessories and Door Controls Group, Inc., an ASSA ABLOY Group company. All rights reserved.  
 Reproduction in whole or in part without the express written permission of ASSA ABLOY Accessories and Door Controls Group, Inc. is prohibited.

**PEMKO**  
**ASSA ABLOY**

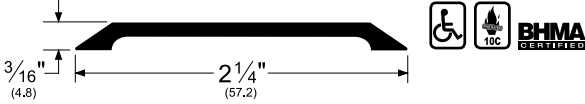
Experience a safer  
 and more open world

# SADDLE THRESHOLDS

- To use a saddle threshold in an offset condition, use an elevator (see page 131)

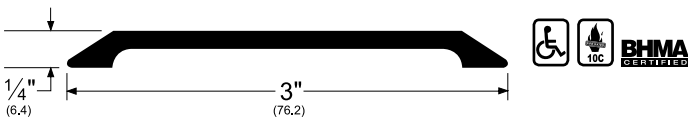
## 173\_

AVAILABLE FINISHES: **10BE, A, B, BSP, D, WSP**  
 ANSI (aluminum): **J32300, J32330**  
 ANSI (brass): **J12300, J12330**



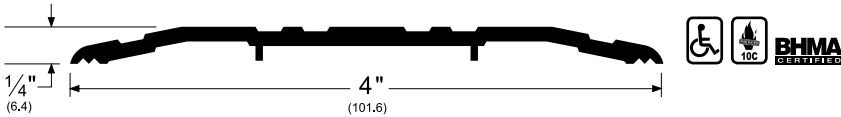
## 151\_

AVAILABLE FINISHES: **10BE, A, B, BSP, D, WSP**  
 ANSI (aluminum): **J32300, J32330**  
 ANSI (brass): **J12300, J12330**



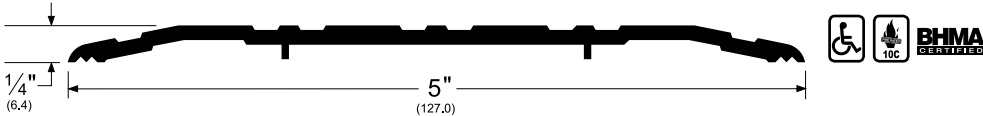
## 270\_

AVAILABLE FINISHES: **10BE, A, B, BSP, D, G, WSP**  
 ANSI (aluminum): **J32100, J32130**  
 ANSI (brass): **J12300, J12330**



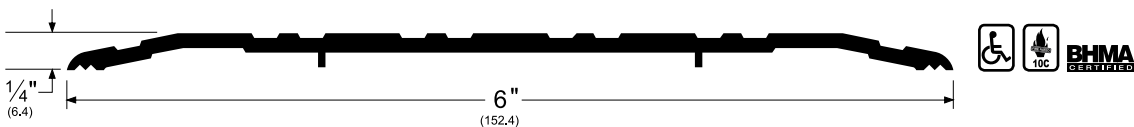
## 271\_

AVAILABLE FINISHES: **10BE, A, B, BSP, D, G, SN, WSP**  
 ANSI (aluminum): **J32100, J32130**  
 ANSI (brass): **J12100, J12130**



## 272\_

AVAILABLE FINISHES: **10BE, A, B, BSP, D, G, WSP**  
 ANSI (aluminum): **J32100, J32130**  
 ANSI (brass): **J12100, J12130**



NOTE: Products shown in this section may not be drawn to scale.

AVAILABLE FINISHES FOR PRODUCTS SHOWN ON THIS PAGE (see General Information section for finish chart)  
**10BE** (Satin Bronze Powder Coated Aluminum) **A** (Mill Finish Aluminum) **B** (Mill Finish Extruded Bronze [Brass])  
**BSP** (Black Suede Powder Coated Aluminum) **D** (Dark Bronze Anodized) **G** (Gold Anodized)  
**SN** (Satin Nickel Anodized) **WSP** (White Suede Powder Coated Aluminum)

NOTE: **G, SN** are available with limited inventory



Experience a safer and more open world

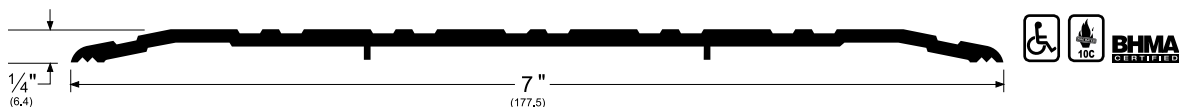
800-824-3018 | www.pemco.com  
 Check the web site for the up-to-date catalog

Copyright © 2015-2022, ASSA ABLOY Accessories and Door Controls Group, Inc., an ASSA ABLOY Group company. All rights reserved. Reproduction in whole or in part without the express written permission of ASSA ABLOY Accessories and Door Controls Group, Inc. is prohibited.

## SADDLE THRESHOLDS (Cont.)

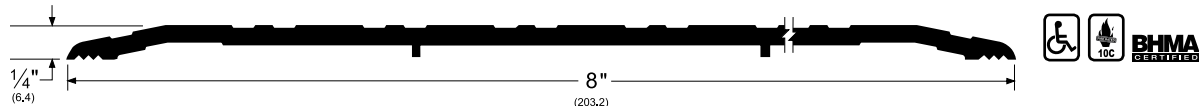
### 276\_

AVAILABLE FINISHES: **10BE, A, B, BSP, D, G, WSP**  
 ANSI (aluminum): **J32100, J32130, J39100, J39130, J39135, J39150**  
 ANSI (brass): **J12100, J12130, J19100, J19130, J19135, J19150**



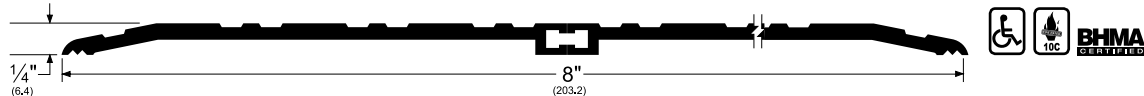
### 2748\_

AVAILABLE FINISHES: **10BE, A, BSP, D, WSP**  
 ANSI (aluminum): **J32100, J32130, J39100, J39130, J39135, J39150**



### 274x4\_

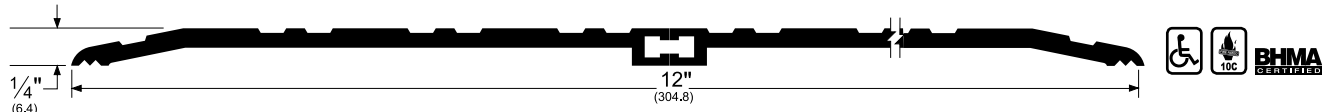
AVAILABLE FINISH: **B**  
 ANSI (brass): **J12100, J12130, J19100, J19130, J19135, J19150**



Welded on bottom.

### 2746x6\_

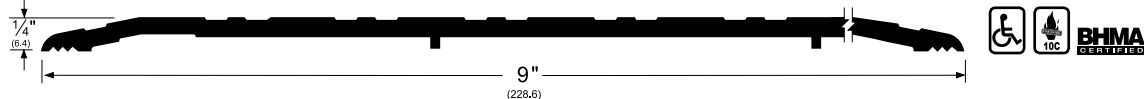
AVAILABLE FINISHES: **10BE, A, BSP, D, WSP**  
 ANSI (aluminum): **J32100, J32130**



Welded on bottom.

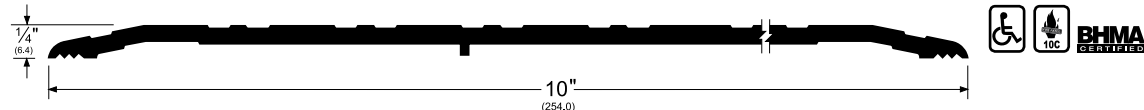
### 2749\_

AVAILABLE FINISHES: **10BE, A, BSP, D, WSP**  
 ANSI (aluminum): **J32100, J32130**



### 2750\_

AVAILABLE FINISHES: **10BE, A, BSP, D, WSP**  
 ANSI (aluminum): **J32100, J32130**



Includes two support legs (only one shown due to break in drawing)

NOTE: Products shown in this section may not be drawn to scale.

AVAILABLE FINISHES FOR PRODUCTS SHOWN ON THIS PAGE (see General Information section for finish chart)  
**10BE** (Satin Bronze Powder Coated Aluminum) **A** (Mill Finish Aluminum) **B** (Mill Finish Extruded Bronze [Brass])  
**BSP** (Black Suede Powder Coated Aluminum) **D** (Dark Bronze Anodized) **G** (Gold Anodized)  
**WSP** (White Suede Powder Coated Aluminum)

NOTE: **G** is available with limited inventory  
 800-824-3018 | www.pemko.com

Check the web site for the up-to-date catalog

Copyright © 2015-2022, ASSA ABLOY Accessories and Door Controls Group, Inc., an ASSA ABLOY Group company. All rights reserved.  
 Reproduction in whole or in part without the express written permission of ASSA ABLOY Accessories and Door Controls Group, Inc. is prohibited.

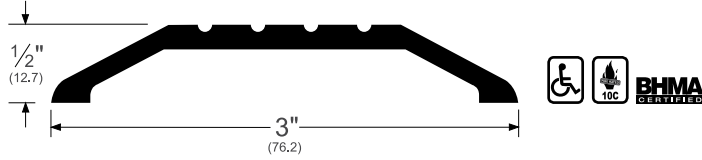
**PEMKO**  
**ASSA ABLOY**

Experience a safer  
 and more open world

## SADDLE THRESHOLDS (Cont.)

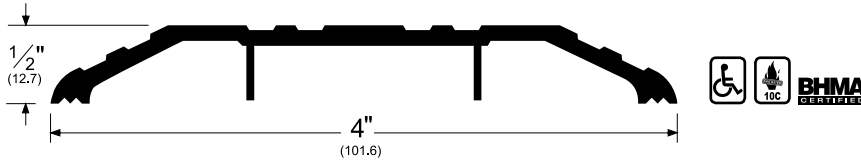
169\_

AVAILABLE FINISHES: **10BE, A, BSP, D, WSP**  
 ANSI (aluminum): **J32100, J32130**



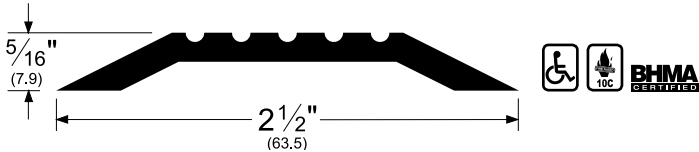
170\_

AVAILABLE FINISHES: **10BE, A, B, BDG, BSP, D, WSP**  
 ANSI (aluminum): **J32100, J32130**  
 ANSI (brass): **J12100, J12130**



166\_

AVAILABLE FINISHES: **10BE, A, BSP, D, WSP**  
 ANSI (aluminum): **J32100, J32130**



NOTE: Products shown in this section may not be drawn to scale.

AVAILABLE FINISHES FOR PRODUCTS SHOWN ON THIS PAGE (see General Information section for finish chart)  
**10BE** (Satin Bronze Powder Coated Aluminum) **A** (Mill Finish Aluminum) **B** (Mill Finish Extruded Bronze [Brass])  
**BDG** (Bright Dip Gold Anodized) **BSP** (Black Suede Powder Coated Aluminum) **D** (Dark Bronze Anodized)  
**WSP** (White Suede Powder Coated Aluminum)

**PEMKO**  
**ASSA ABLOY**

Experience a safer  
 and more open world

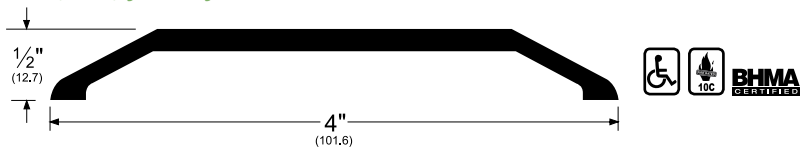
800-824-3018 | [www.pemko.com](http://www.pemko.com)  
 Check the web site for the up-to-date catalog

Copyright © 2015-2022, ASSA ABLOY Accessories and Door Controls Group, Inc., an ASSA ABLOY Group company. All rights reserved.  
 Reproduction in whole or in part without the express written permission of ASSA ABLOY Accessories and Door Controls Group, Inc. is prohibited.

## SADDLE THRESHOLDS (Cont.)

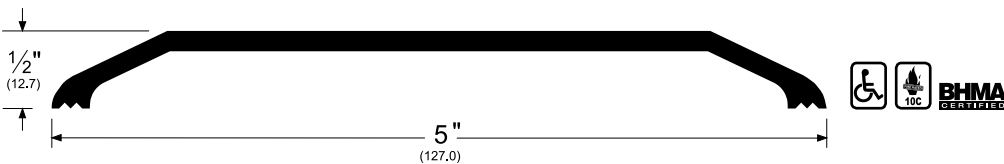
### 175\_

AVAILABLE FINISHES: **10BE, A, B, BSP, D, WSP**  
 ANSI (aluminum): **J32300, J32330**  
 ANSI (brass): **J12300, J12330**



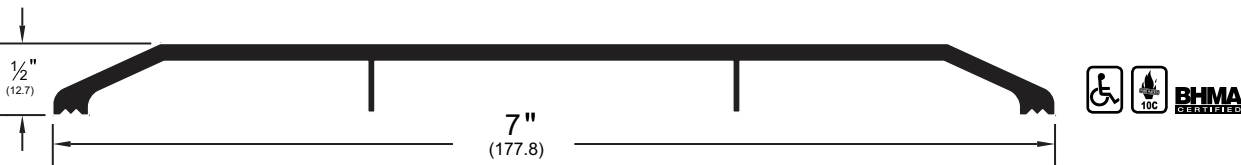
### 154\_

AVAILABLE FINISHES: **10BE, A, BSP, D, WSP**  
 ANSI (aluminum): **J32300, J32330**



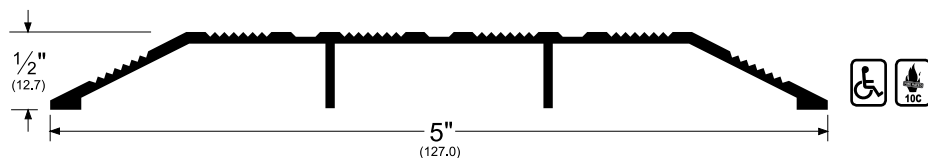
### 1547\_

AVAILABLE FINISHES: **10BE, A, BSP, D, WSP**  
 ANSI (aluminum): **J32300, J32330**



### 1710\_

AVAILABLE FINISH: **10BE, A, BSP, D, WSP**



NOTE: Products shown in this section may not be drawn to scale.

AVAILABLE FINISHES FOR PRODUCTS SHOWN ON THIS PAGE (see General Information section for finish chart)

**10BE** (Satin Bronze Powder Coated Aluminum) **A** (Mill Finish Aluminum) **B** (Mill Finish Extruded Bronze [Brass])  
**BSP** (Black Suede Powder Coated Aluminum) **D** (Dark Bronze Anodized) **WSP** (White Suede Powder Coated Aluminum)

800-824-3018 | [www.pemko.com](http://www.pemko.com)

Check the web site for the up-to-date catalog

Copyright © 2015-2022, ASSA ABLOY Accessories and Door Controls Group, Inc., an ASSA ABLOY Group company. All rights reserved.  
 Reproduction in whole or in part without the express written permission of ASSA ABLOY Accessories and Door Controls Group, Inc. is prohibited.

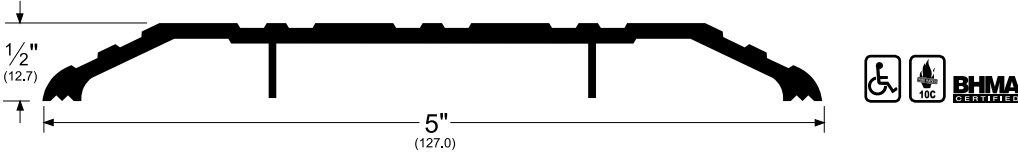
**PEMKO**  
**ASSA ABLOY**

Experience a safer  
 and more open world

# SADDLE THRESHOLDS *(Cont.)*

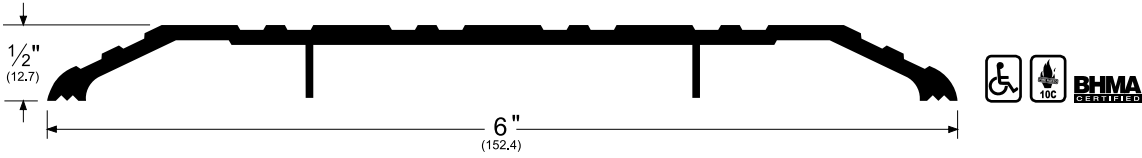
## 171\_

AVAILABLE FINISHES: **10BE, A, B, BDG, BSP, D, G, WSP**  
 ANSI (aluminum): **J32100, J32130**  
 ANSI (brass): **J12100, J12130**



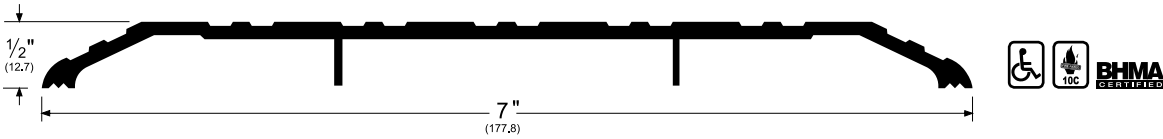
## 172\_

AVAILABLE FINISHES: **10BE, A, B, BSP, D, G, WSP**  
 ANSI (aluminum): **J32100, J32130**  
 ANSI (brass): **J12100, J12130**



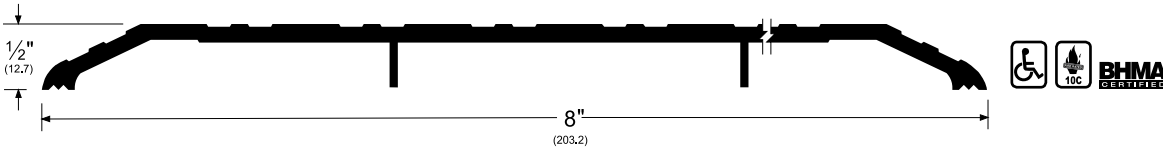
## 176\_

AVAILABLE FINISHES: **10BE, A, B, BSP, D, G, WSP**  
 ANSI (aluminum): **J32100, J32130, J39100, J39130, J39135, J39150**  
 ANSI (brass): **J12100, J12130, J19100, J19130, J19135, J19150**



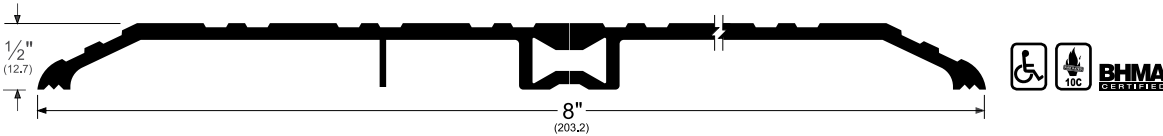
## 2548\_

AVAILABLE FINISHES: **10BE, A, BSP, D, WSP**  
 ANSI (aluminum): **J32100, J32130, J39100, J39130, J39135, J39150**



## 254x4\_

AVAILABLE FINISH: **B**  
 ANSI (brass): **J12100, J12130, J19100, J19130, J19135, J19150**



Welded on bottom. Includes two support legs (only one shown due to break in drawing)

NOTE: Products shown in this section may not be drawn to scale.

AVAILABLE FINISHES FOR PRODUCTS SHOWN ON THIS PAGE (see General Information section for finish chart)  
**10BE** (Satin Bronze Powder Coated Aluminum) **A** (Mill Finish Aluminum) **B** (Mill Finish Extruded Bronze [Brass])  
**BDG** (Bright Dip Gold Anodized) **BSP** (Black Suede Powder Coated Aluminum) **D** (Dark Bronze Anodized)  
**G** (Gold Anodized) **SN** (Satin Nickel Anodized) **WSP** (White Suede Powder Coated Aluminum)

NOTE: **G, SN** are available with limited inventory



Experience a safer  
and more open world

800-824-3018 | www.pemko.com  
 Check the web site for the up-to-date catalog

Copyright © 2015-2022, ASSA ABLOY Accessories and Door Controls Group, Inc., an ASSA ABLOY Group company. All rights reserved.  
 Reproduction in whole or in part without the express written permission of ASSA ABLOY Accessories and Door Controls Group, Inc. is prohibited.



## SADDLE THRESHOLDS *(Cont.)*

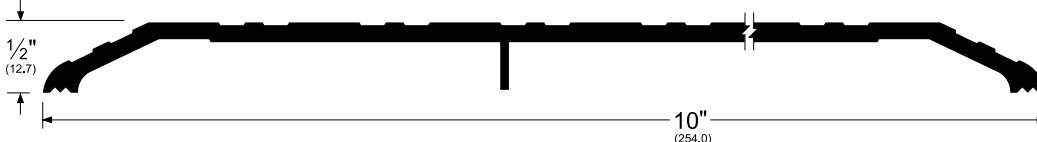
### 2549\_

AVAILABLE FINISHES: **10BE, A, BSP, D, WSP**  
ANSI (aluminum): **J32100, J32130**



### 2550\_

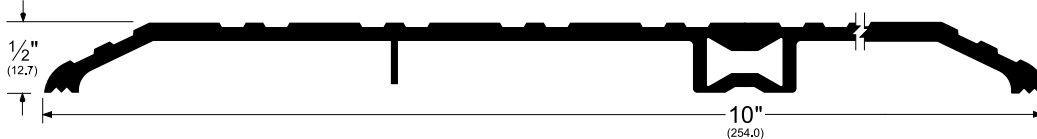
AVAILABLE FINISHES: **10BE, A, BSP, D, WSP**  
ANSI (aluminum): **J32100, J32130**



Includes two support legs (only one shown due to break in drawing)

### 255x5\_

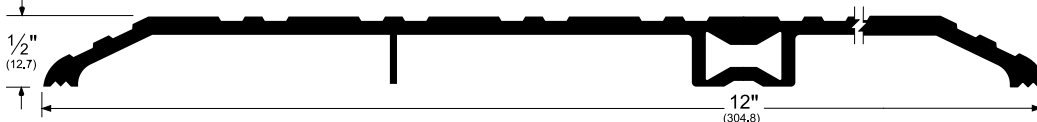
AVAILABLE FINISH: **B**  
ANSI (brass): **J12100, J12130**



Welded on bottom. Includes two support legs (only one shown due to break in drawing)

### 256x6\_

AVAILABLE FINISHES: **10BE, A, BSP, D, WSP**  
ANSI (aluminum): **J32100, J32130**



Welded on bottom. Includes two support legs (only one shown due to break in drawing)

NOTE: Products shown in this section may not be drawn to scale.

AVAILABLE FINISHES FOR PRODUCTS SHOWN ON THIS PAGE (see General Information section for finish chart)

**10BE** (Satin Bronze Powder Coated Aluminum) **A** (Mill Finish Aluminum) **B** (Mill Finish Extruded Bronze [Brass])  
**BSP** (Black Suede Powder Coated Aluminum) **D** (Dark Bronze Anodized) **WSP** (White Suede Powder Coated Aluminum)

800-824-3018 | [www.pemko.com](http://www.pemko.com)

Check the web site for the up-to-date catalog

Copyright © 2015-2022, ASSA ABLOY Accessories and Door Controls Group, Inc., an ASSA ABLOY Group company. All rights reserved.  
Reproduction in whole or in part without the express written permission of ASSA ABLOY Accessories and Door Controls Group, Inc. is prohibited.

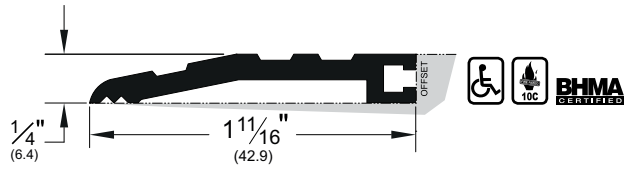
**PEMKO**  
**ASSA ABLOY**

Experience a safer  
and more open world

# HALF SADDLE THRESHOLDS

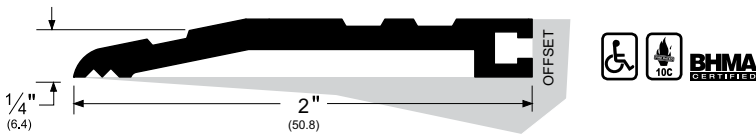
## 278\_

AVAILABLE FINISHES: **10BE, A, BSP, D, WSP**  
 ANSI (aluminum): **J33100, J33130, J33133**



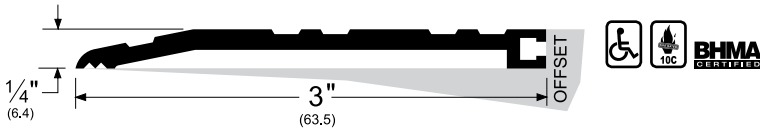
## 279\_

AVAILABLE FINISHES: **10BE, A, BSP, D, WSP**  
 ANSI (aluminum): **J33100, J33130, J33133**



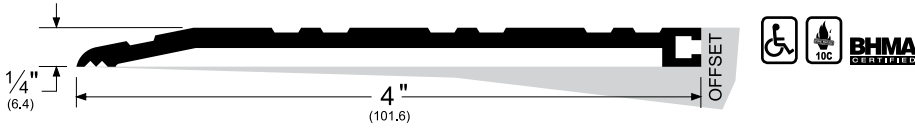
## 273\_

AVAILABLE FINISHES: **10BE, A, B, BSP, D, WSP**  
 ANSI (aluminum): **J33100, J33130, J33133**  
 ANSI (brass): **J13100, J13130, J13133**



## 274\_

AVAILABLE FINISHES: **10BE, A, B, BSP, D, WSP**  
 ANSI (aluminum): **J33100, J33130, J33133**  
 ANSI (brass): **J13100, J13130, J13133**



NOTE: Products shown in this section may not be drawn to scale.

AVAILABLE FINISHES FOR PRODUCTS SHOWN ON THIS PAGE (see General Information section for finish chart)  
**10BE** (Satin Bronze Powder Coated Aluminum) **A** (Mill Finish Aluminum) **B** (Mill Finish Extruded Bronze [Brass])  
**BSP** (Black Suede Powder Coated Aluminum) **D** (Dark Bronze Anodized) **WSP** (White Suede Powder Coated Aluminum)



Experience a safer  
and more open world

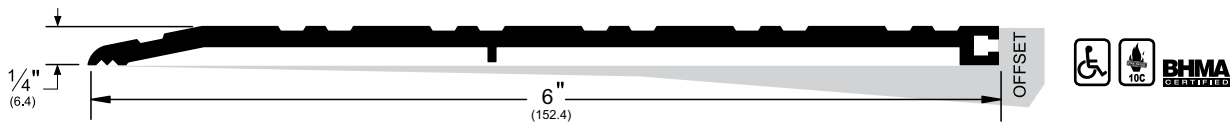
800-824-3018 | www.pemko.com  
 Check the web site for the up-to-date catalog

Copyright © 2015-2022, ASSA ABLOY Accessories and Door Controls Group, Inc., an ASSA ABLOY Group company. All rights reserved.  
 Reproduction in whole or in part without the express written permission of ASSA ABLOY Accessories and Door Controls Group, Inc. is prohibited.

# HALF SADDLE THRESHOLDS ((Cont.))

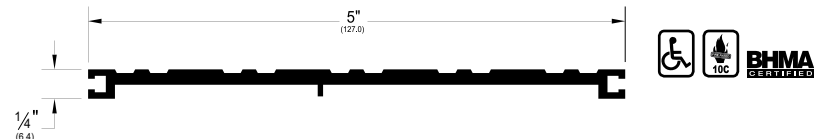
## 2746\_

AVAILABLE FINISHES: **10BE, A, BSP, D, WSP**  
 ANSI (aluminum): **J33100, J33130, J33133**



## 2755\_

AVAILABLE FINISHES: **10BE, A, BSP, D, WSP**  
 Ratings: **ADA, 10c, BHMA**



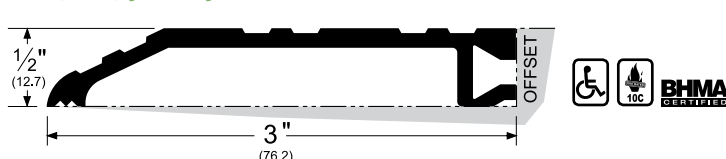
## 252\_

AVAILABLE FINISHES: **10BE, A, B, BSP, D, G, WSP**  
 ANSI (aluminum): **J33100, J33130**  
 ANSI (brass): **J13100, J13130**



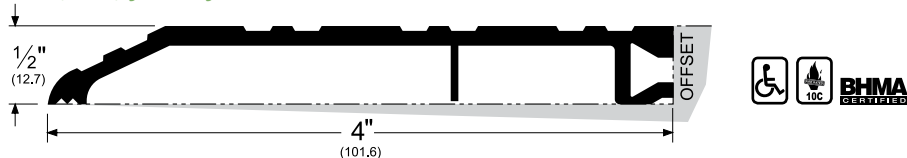
## 253\_

AVAILABLE FINISHES: **10BE, A, B, BSP, D, G, WSP**  
 ANSI (aluminum): **J33100, J33130**  
 ANSI (brass): **J13100, J13130**



## 254\_

AVAILABLE FINISHES: **10BE, A, B, BSP, D, G, WSP**  
 ANSI (aluminum): **J33100, J33130**  
 ANSI (brass): **J13100, J13130**



## 255\_

AVAILABLE FINISHES: **10BE, A, B, BSP, D, G, WSP**  
 ANSI (aluminum): **J33100, J33130**  
 ANSI (brass): **J13100, J13130**



NOTE: Products shown in this section may not be drawn to scale.

AVAILABLE FINISHES FOR PRODUCTS SHOWN ON THIS PAGE (see General Information section for finish chart)

**10BE** (Satin Bronze Powder Coated Aluminum) **A** (Mill Finish Aluminum) **B** (Mill Finish Extruded Bronze [Brass])

**BSP** (Black Suede Powder Coated Aluminum) **D** (Dark Bronze Anodized) **G** (Gold Anodized)

**WSP** (White Suede Powder Coated Aluminum)

NOTE: **G** is available with limited inventory

800-824-3018 | www.pemko.com

Check the web site for the up-to-date catalog

Copyright © 2015-2022, ASSA ABLOY Accessories and Door Controls Group, Inc., an ASSA ABLOY Group company. All rights reserved. Reproduction in whole or in part without the express written permission of ASSA ABLOY Accessories and Door Controls Group, Inc. is prohibited.

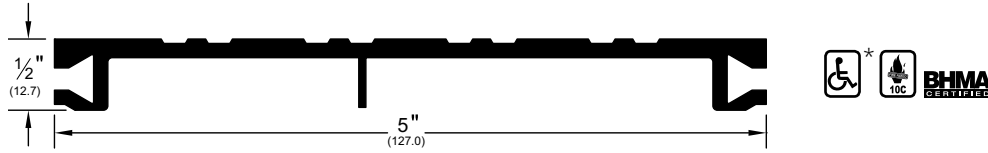
**PEMKO**  
**ASSA ABLOY**

Experience a safer  
 and more open world

## HALF SADDLE THRESHOLDS *(Cont.)*

### 2555\_

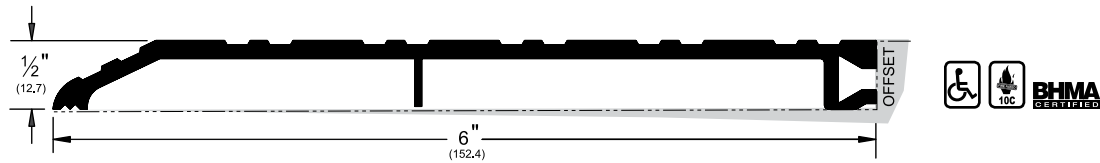
AVAILABLE FINISHES: **10BE, A, BSP, D, WSP**  
ANSI (aluminum): **J33100**



\* 2555\_ can be combined with other half saddles on one or both sides. If combined only on one side, the opposite side should be mounted flush with an existing offset. Either stated application is required for this to be ADA-compliant.

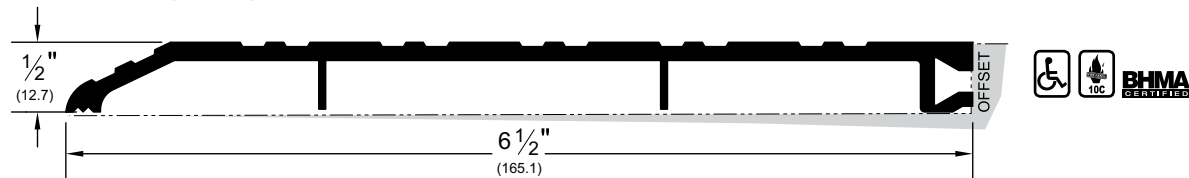
### 256\_

AVAILABLE FINISHES: **10BE, A, BSP, D, WSP**  
ANSI (aluminum): **J33100, J33130**



### 2565\_

AVAILABLE FINISHES: **10BE, A, BSP, D, WSP**  
ANSI (aluminum): **J33100, J33130**



NOTE: Products shown in this section may not be drawn to scale.

AVAILABLE FINISHES FOR PRODUCTS SHOWN ON THIS PAGE (see General Information section for finish chart)

**10BE** (Satin Bronze Powder Coated Aluminum) **A** (Mill Finish Aluminum) **B** (Mill Finish Extruded Bronze [Brass])  
**BSP** (Black Suede Powder Coated Aluminum) **D** (Dark Bronze Anodized) **WSP** (White Suede Powder Coated Aluminum)

**PEMCO**  
**ASSA ABLOY**

Experience a safer  
and more open world

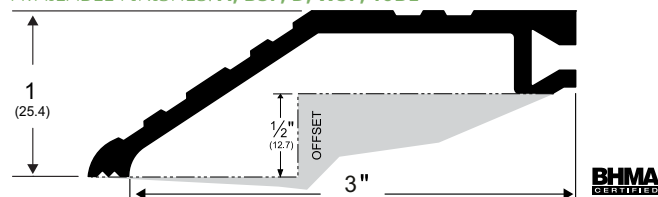
800-824-3018 | [www.pemko.com](http://www.pemko.com)  
Check the web site for the up-to-date catalog

Copyright © 2015-2022, ASSA ABLOY Accessories and Door Controls Group, Inc., an ASSA ABLOY Group company. All rights reserved.  
Reproduction in whole or in part without the express written permission of ASSA ABLOY Accessories and Door Controls Group, Inc. is prohibited.

## OFFSET HALF SADDLES

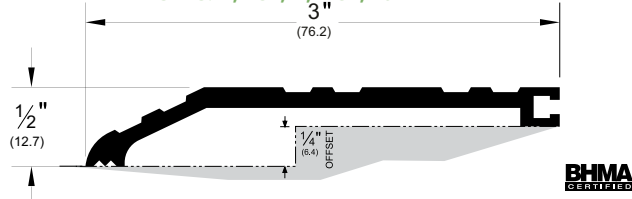
566\_

AVAILABLE FINISHES: **A, BSP, D, WSP, 10BE**



766\_

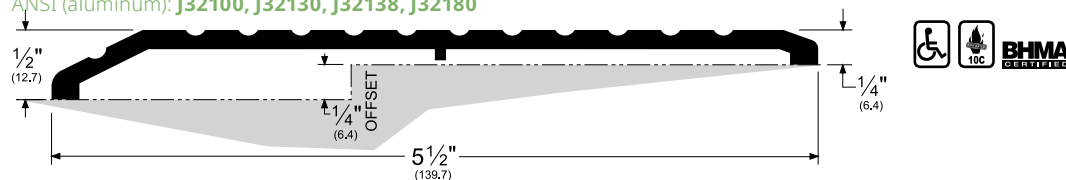
AVAILABLE FINISHES: **A, BSP, D, WSP, 10BE**



## OFFSET SADDLES

158\_

AVAILABLE FINISHES: **10BE, A, BSP, D, WSP**  
ANSI (aluminum): **J32100, J32130, J32138, J32180**



NOTE: Products shown in this section may not be drawn to scale.

AVAILABLE FINISHES FOR PRODUCTS SHOWN ON THIS PAGE (see General Information section for finish chart)

**10BE** (Satin Bronze Powder Coated Aluminum) **A** (Mill Finish Aluminum) **B** (Mill Finish Extruded Bronze [Brass])  
**BSP** (Black Suede Powder Coated Aluminum) **D** (Dark Bronze Anodized) **WSP** (White Suede Powder Coated Aluminum)

800-824-3018 | [www.pemko.com](http://www.pemko.com)

Check the web site for the up-to-date catalog

Copyright © 2015-2022, ASSA ABLOY Accessories and Door Controls Group, Inc., an ASSA ABLOY Group company. All rights reserved.  
Reproduction in whole or in part without the express written permission of ASSA ABLOY Accessories and Door Controls Group, Inc. is prohibited.

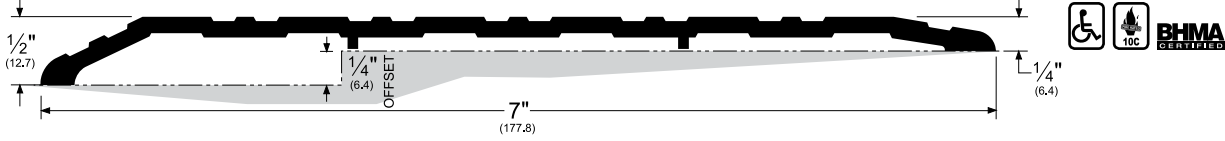
**PEMKO**  
**ASSA ABLOY**

Experience a safer  
and more open world

## OFFSET SADDLES (Cont.)

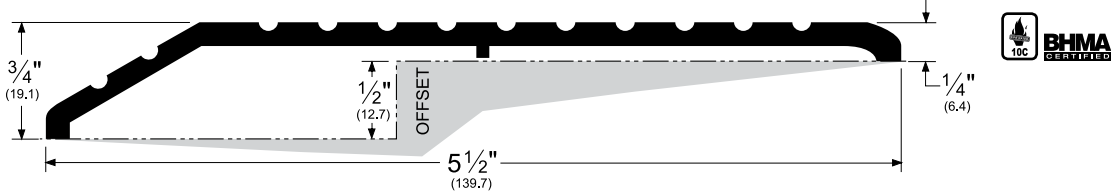
### 2727\_

AVAILABLE FINISHES: **10BE, A, BSP, D, WSP**  
 ANSI (aluminum): **J32100, J32130, J32138, J32180**



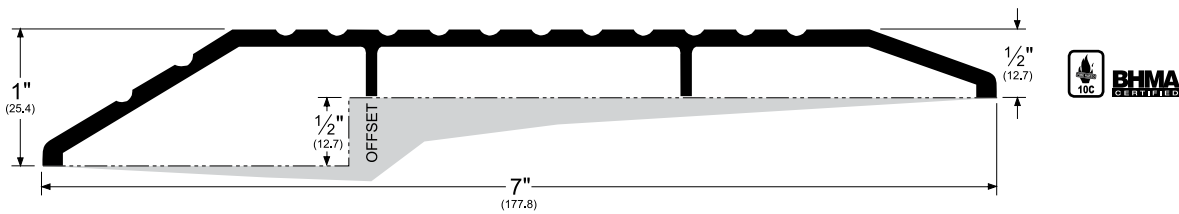
### 157\_

AVAILABLE FINISHES: **10BE, A, BSP, D, WSP**  
 ANSI (aluminum): **J32100, J32180, J33100**



### 182\_

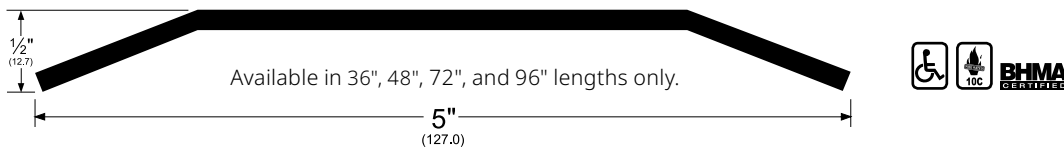
AVAILABLE FINISHES: **10BE, A, BSP, D, WSP**  
 ANSI (aluminum): **J32100, J32180, J33100**



## STAINLESS STEEL SADDLES

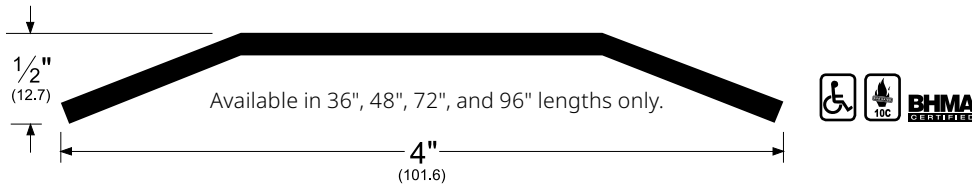
### 154SS\_

AVAILABLE FINISH: **SS (#4, Brushed Finish)**  
 ANSI: **J52300, J52330**



### 175SS\_

AVAILABLE FINISH: **SS (#4, Brushed Finish)**  
 ANSI: **J52300, J52330**



NOTE: Products shown in this section may not be drawn to scale.

AVAILABLE FINISHES FOR PRODUCTS SHOWN ON THIS PAGE (see General Information section for finish chart)

**10BE** (Satin Bronze Powder Coated Aluminum) **A** (Mill Finish Aluminum) **B** (Mill Finish Extruded Bronze [Brass])  
**BSP** (Black Suede Powder Coated Aluminum) **D** (Dark Bronze Anodized) **WSP** (White Suede Powder Coated Aluminum)  
**SS** (See Individual Part)

**PEMKO**  
**ASSA ABLOY**

Experience a safer  
 and more open world

800-824-3018 | www.pemko.com  
 Check the web site for the up-to-date catalog

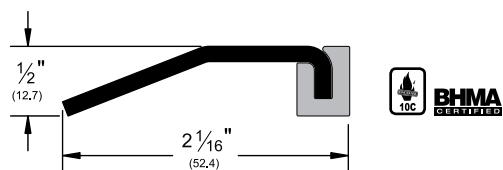
Copyright © 2015-2022, ASSA ABLOY Accessories and Door Controls Group, Inc., an ASSA ABLOY Group company. All rights reserved.  
 Reproduction in whole or in part without the express written permission of ASSA ABLOY Accessories and Door Controls Group, Inc. is prohibited.

## STAINLESS STEEL HALF SADDLES

- Available in 36", 48", 72", and 96" lengths only.

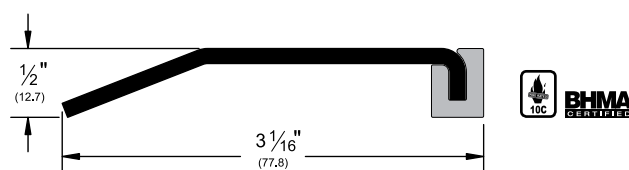
### 252SS\_

AVAILABLE FINISH: **SS (#4, Brushed Finish)**  
ANSI: **J52300, J52330**



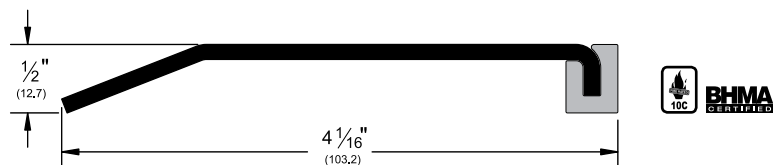
### 253SS\_

AVAILABLE FINISH: **SS (#4, Brushed Finish)**  
ANSI: **J52300, J52330**



### 254SS\_

AVAILABLE FINISH: **SS (#4, Brushed Finish)**  
ANSI: **J52300, J52330**

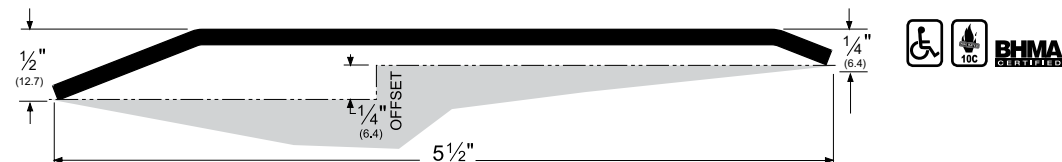


## STAINLESS STEEL OFFSET SADDLES

- Available in 36", 48", 72", and 96" lengths only.

### 158SS\_

AVAILABLE FINISHES FOR PRODUCTS SHOWN ON THIS PAGE (see General Information section for finish chart)  
ANSI: **J52300, J52380, J52388**



NOTE: Products shown in this section may not be drawn to scale.

AVAILABLE FINISHES FOR PRODUCTS SHOWN ON THIS PAGE (see General Information section for finish chart)  
SS (See Individual Part)

800-824-3018 | [www.pemko.com](http://www.pemko.com)

Check the web site for the up-to-date catalog

Copyright © 2015-2022, ASSA ABLOY Accessories and Door Controls Group, Inc., an ASSA ABLOY Group company. All rights reserved.  
Reproduction in whole or in part without the express written permission of ASSA ABLOY Accessories and Door Controls Group, Inc. is prohibited.

**PEMKO**  
**ASSA ABLOY**

Experience a safer  
and more open world

## THERMAL BREAK SADDLES

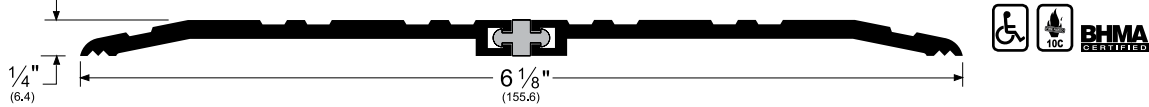
- Black rigid polypropylene key between extrusions provides a thermal break (designated by "FG" Frost Guard following finish code)

### 273x3\_FG

AVAILABLE FINISHES: **10BE, A, B, BSP, D, WSP**

ANSI (aluminum): **J32139, J32190, J32193**

ANSI (brass): **J12139, J12190, J12193**

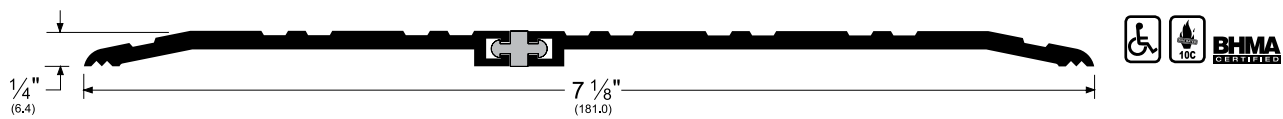


### 273x4\_FG

AVAILABLE FINISHES: **10BE, A, B, BSP, D, WSP**

ANSI (aluminum): **J32139, J32190, J32193**

ANSI (brass): **J12139, J12190, J12193**

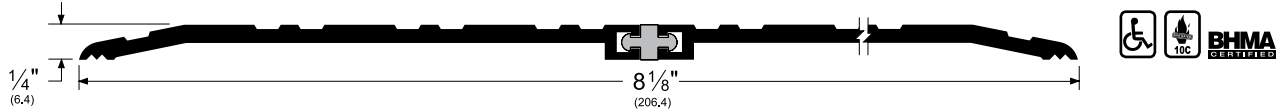


### 274x4\_FG

AVAILABLE FINISHES: **10BE, A, B, BSP, D, WSP**

ANSI (aluminum): **J32139, J32190, J32193**

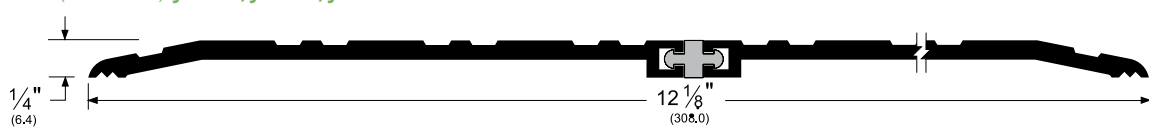
ANSI (brass): **J12139, J12190, J12193**



### 2746x6\_FG

AVAILABLE FINISHES: **10BE, A, BSP, D, WSP**

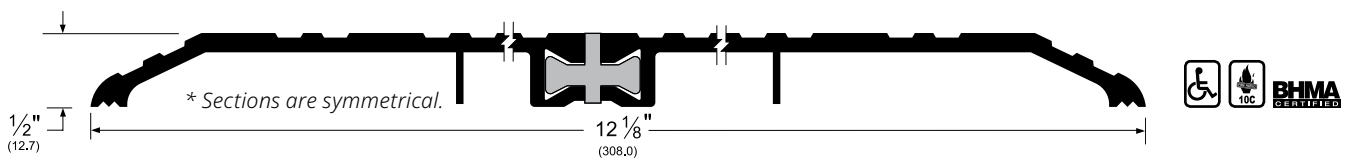
ANSI (aluminum): **J32139, J32190, J32193**



### 256x6\_FG

AVAILABLE FINISHES: **10BE, A, BSP, D, WSP**

ANSI (aluminum): **J32139, J32190, J32193**



NOTE: Products shown in this section may not be drawn to scale.

AVAILABLE FINISHES FOR PRODUCTS SHOWN ON THIS PAGE (see General Information section for finish chart)

**10BE** (Satin Bronze Powder Coated Aluminum) **A** (Mill Finish Aluminum) **B** (Mill Finish Extruded Bronze [Brass])

**BSP** (Black Suede Powder Coated Aluminum) **D** (Dark Bronze Anodized) **WSP** (White Suede Powder Coated Aluminum)

**PEMKO**  
**ASSA ABLOY**

Experience a safer  
and more open world

800-824-3018 | [www.pemko.com](http://www.pemko.com)  
Check the web site for the up-to-date catalog

Copyright © 2015-2022, ASSA ABLOY Accessories and Door Controls Group, Inc., an ASSA ABLOY Group company. All rights reserved.  
Reproduction in whole or in part without the express written permission of ASSA ABLOY Accessories and Door Controls Group, Inc. is prohibited.



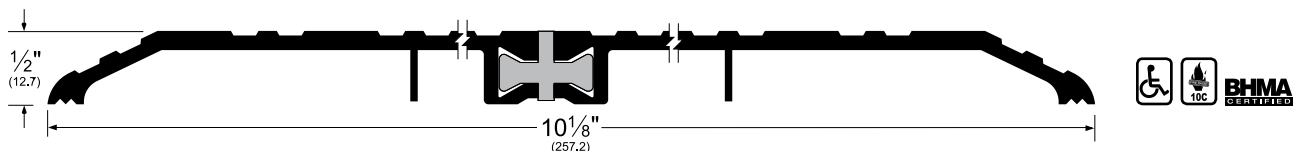
## THERMAL BREAK SADDLES (Cont.)

### 255x5\_FG

AVAILABLE FINISHES: **10BE, A, B, BSP, D, WSP**

ANSI (aluminum): **J32139, J32190, J32193**

ANSI (brass): **J12139, J12190, J12193**

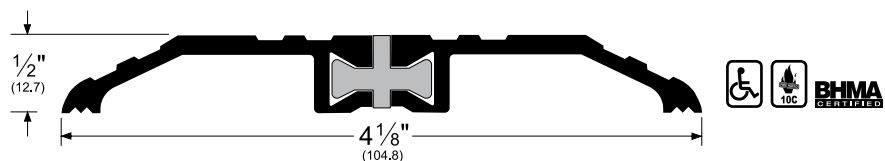


### 252x2\_FG

AVAILABLE FINISHES: **10BE, A, B, BSP, D, WSP**

ANSI (aluminum): **J32139, J32190, J32193**

ANSI (brass): **J12139, J12190, J12193**

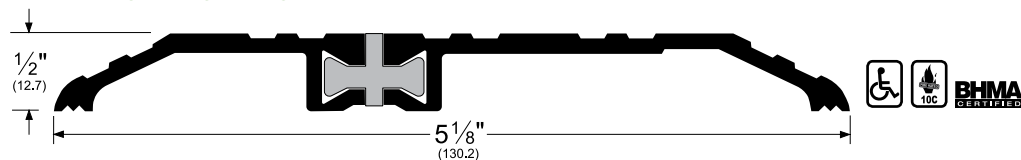


### 252x3\_FG

AVAILABLE FINISHES: **10BE, A, B, BSP, D, WSP**

ANSI (aluminum): **J32139, J32190, J32193**

ANSI (brass): **J12139, J12190, J12193**

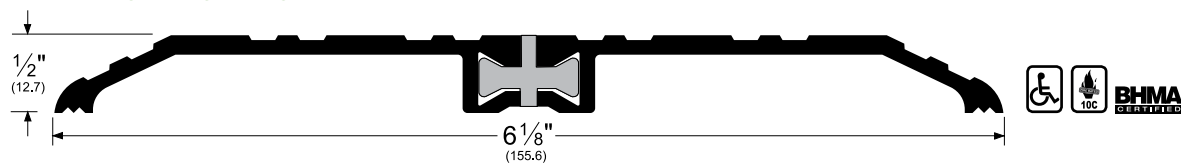


### 253x3\_FG

AVAILABLE FINISHES: **10BE, A, B, BSP, D, WSP**

ANSI (aluminum): **J32139, J32190, J32193**

ANSI (brass): **J12139, J12190, J12193**

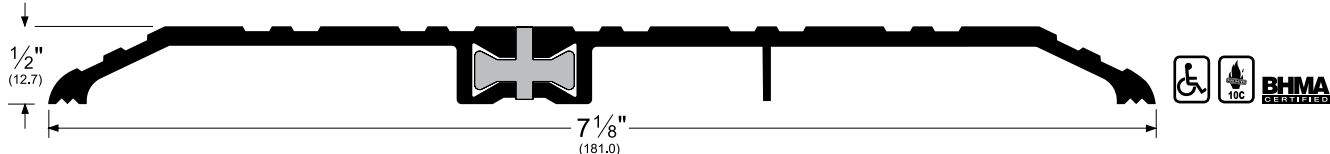


### 253x4\_FG

AVAILABLE FINISHES: **10BE, A, B, BSP, D, WSP**

ANSI (aluminum): **J32139, J32190, J32193**

ANSI (brass): **J12139, J12190, J12193**



NOTE: Products shown in this section may not be drawn to scale.

AVAILABLE FINISHES FOR PRODUCTS SHOWN ON THIS PAGE (see General Information section for finish chart)

**10BE** (Satin Bronze Powder Coated Aluminum) **A** (Mill Finish Aluminum) **B** (Mill Finish Extruded Bronze [Brass])

**BSP** (Black Suede Powder Coated Aluminum) **D** (Dark Bronze Anodized) **WSP** (White Suede Powder Coated Aluminum)

800-824-3018 | [www.pemko.com](http://www.pemko.com)

Check the web site for the up-to-date catalog

Copyright © 2015-2022, ASSA ABLOY Accessories and Door Controls Group, Inc., an ASSA ABLOY Group company. All rights reserved. Reproduction in whole or in part without the express written permission of ASSA ABLOY Accessories and Door Controls Group, Inc. is prohibited.

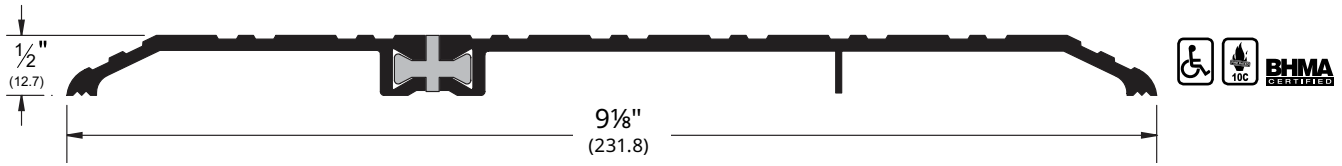
**PEMKO**  
**ASSA ABLOY**

Experience a safer  
and more open world

# THERMAL BREAK SADDLES (Cont.)

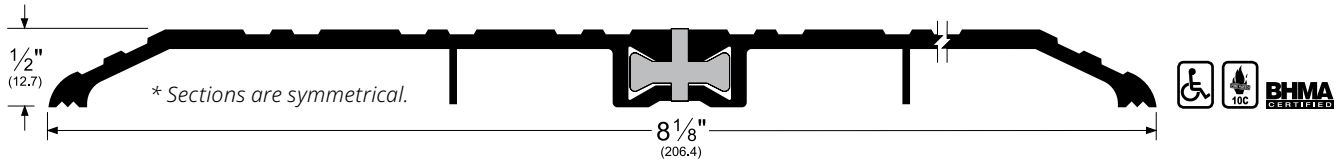
## 253x6\_FG

AVAILABLE FINISHES: **10BE, A, BSP, D, WSP**  
 ANSI (aluminum): **J32139, J32190, J32193**



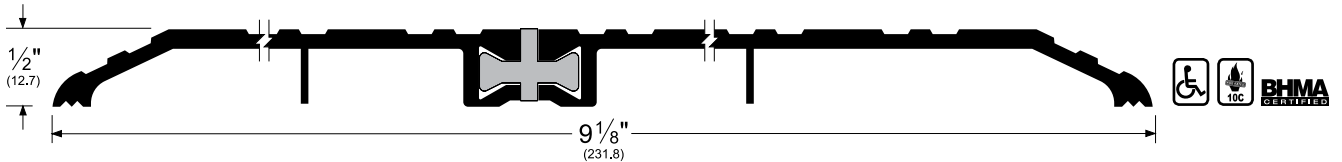
## 254x4\_FG

AVAILABLE FINISHES: **10BE, A, B, BSP, D, WSP**  
 ANSI (aluminum): **J32139, J32190, J32193**  
 ANSI (brass): **J12139, J12190, J12193**



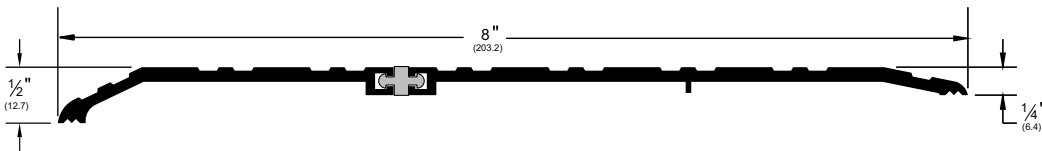
## 254x5\_FG

AVAILABLE FINISHES: **10BE, A, B, BSP, D, WSP**  
 ANSI (aluminum): **J32139, J32190, J32193**  
 ANSI (brass): **J12139, J12190, J12193**



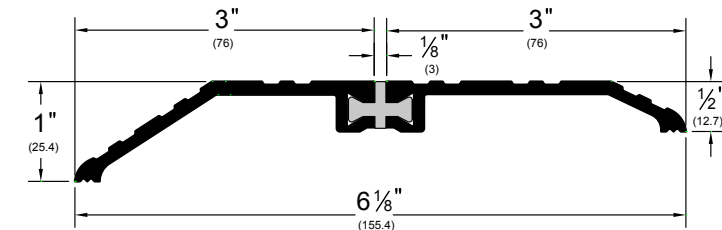
## 766x5\_FG

AVAILABLE FINISHES: **10BE, A, BSP, D, WSP**  
 ANSI (aluminum): **J32139, J32190, J32193, J32189, J32180**  
 ANSI (brass): **J12139, J12190, J12193, J12189, J12180**



## 566x3\_FG

AVAILABLE FINISHES: **10BE, A, BSP, D, WSP**  
 ANSI (aluminum): **J32189, J32190, J32180**



NOTE: Products shown in this section may not be drawn to scale.

AVAILABLE FINISHES FOR PRODUCTS SHOWN ON THIS PAGE (see General Information section for finish chart)

**10BE** (Satin Bronze Powder Coated Aluminum) **A** (Mill Finish Aluminum) **B** (Mill Finish Extruded Bronze [Brass])

**BSP** (Black Suede Powder Coated Aluminum) **D** (Dark Bronze Anodized) **WSP** (White Suede Powder Coated Aluminum)



Experience a safer  
and more open world

800-824-3018 | www.pemko.com  
 Check the web site for the up-to-date catalog

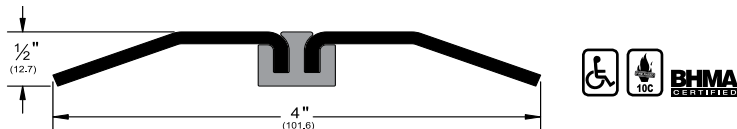
Copyright © 2015-2022, ASSA ABLOY Accessories and Door Controls Group, Inc., an ASSA ABLOY Group company. All rights reserved.  
 Reproduction in whole or in part without the express written permission of ASSA ABLOY Accessories and Door Controls Group, Inc. is prohibited.

## STAINLESS STEEL THERMAL BREAK THRESHOLD

- Black rigid polypropylene key between extrusions provides a thermal barrier (designated by "FG" Frost Guard following finish code)
- Available in 36", 48", 72", and 96" lengths only

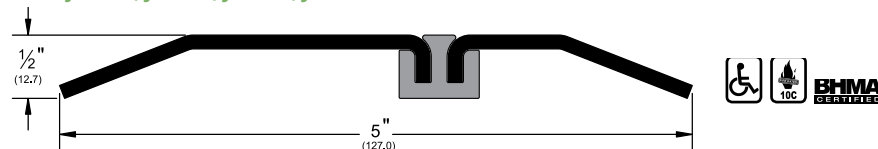
### 252x2SSFG

AVAILABLE FINISH: **SS (#4, Brushed Finish)**  
ANSI: **J52330, J52339, J52390, J52393**



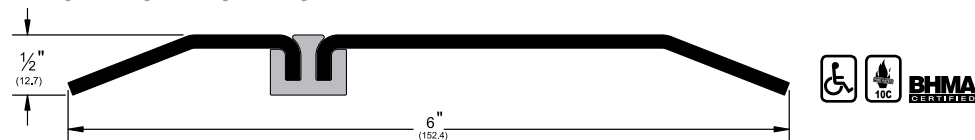
### 252x3SSFG

AVAILABLE FINISH: **SS (#4, Brushed Finish)**  
ANSI: **J52330, J52339, J52390, J52393**



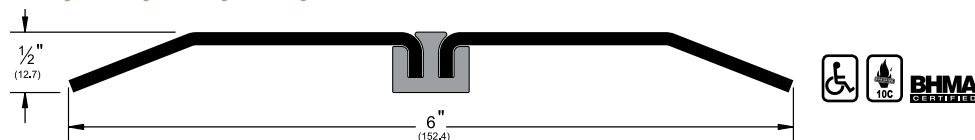
### 252x4SSFG

AVAILABLE FINISH: **SS (#4, Brushed Finish)**  
ANSI: **J52330, J52339, J52390, J52393**



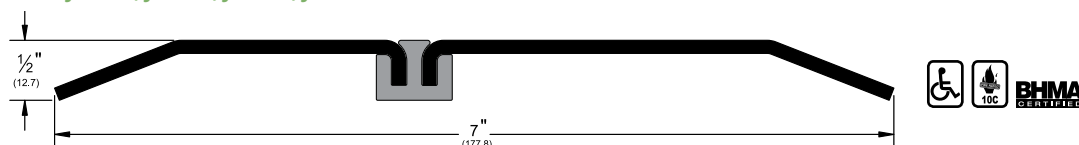
### 253x3SSFG

AVAILABLE FINISH: **SS (#4, Brushed Finish)**  
ANSI: **J52330, J52339, J52390, J52393**



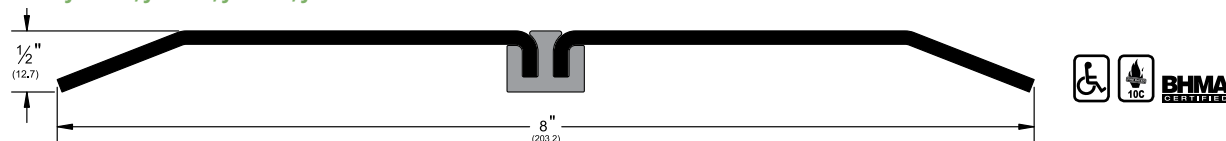
### 253x4SSFG

AVAILABLE FINISH: **SS (#4, Brushed Finish)**  
ANSI: **J52330, J52339, J52390, J52393**



### 254x4SSFG

AVAILABLE FINISH: **SS (#4, Brushed Finish)**  
ANSI: **J52330, J52339, J52390, J52393**



NOTE: Products shown in this section may not be drawn to scale.

AVAILABLE FINISHES FOR PRODUCTS SHOWN ON THIS PAGE (see General Information section for finish chart)  
**SS** (See Individual Part)

800-824-3018 | [www.pemko.com](http://www.pemko.com)

Check the web site for the up-to-date catalog

Copyright © 2015-2022, ASSA ABLOY Accessories and Door Controls Group, Inc., an ASSA ABLOY Group company. All rights reserved.  
Reproduction in whole or in part without the express written permission of ASSA ABLOY Accessories and Door Controls Group, Inc. is prohibited.

**PEMKO**  
**ASSA ABLOY**

Experience a safer  
and more open world

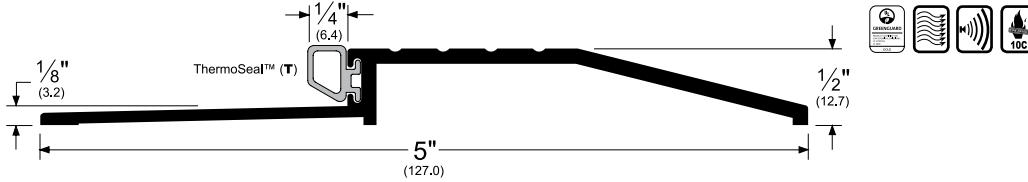
# LATCHING PANIC EXIT SADDLES

- Used in conjunction with surface applied vertical rod exit device, or as a stop and a seal at the bottom of door
- For offset applications, use an elevator (see page 131)
- **2006\_T and 2007\_T** are only ADA compliant when installed butted to 1/4" tile or other floor material

## 2001\_T

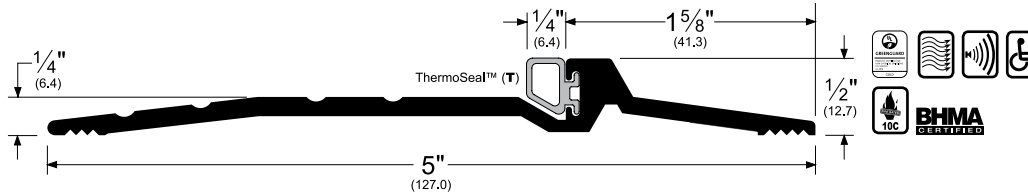
AVAILABLE FINISHES: **10BE, A, BSP, D, WSP**  
 REPLACEMENT INSERT: **T5 (BL)**

- Allow 1/4" door clearance
- Special purpose bumper threshold designed for use with a low 1/4" to 3/8" undercut door.



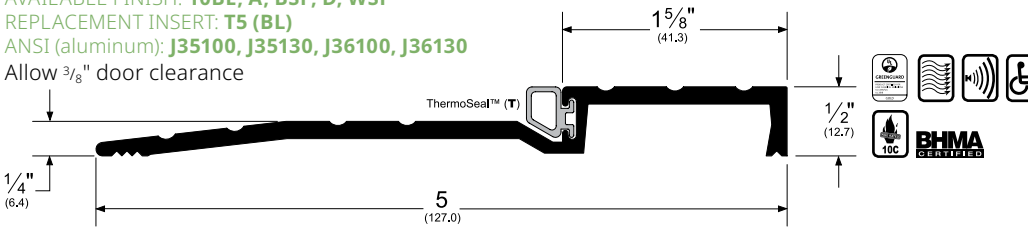
## 2005\_T

AVAILABLE FINISH: **10BE, A, B, BSP, D, G, WSP**  
 REPLACEMENT INSERT: **T5 (BL)**  
 ANSI (aluminum): **J35100, J35130, J36100, J36130**  
 ANSI (brass): **J15100, J15130, J16100, J16130**  
 Allow 3/8" door clearance



## 2006\_T

AVAILABLE FINISH: **10BE, A, BSP, D, WSP**  
 REPLACEMENT INSERT: **T5 (BL)**  
 ANSI (aluminum): **J35100, J35130, J36100, J36130**  
 Allow 3/8" door clearance



### Alternate Inserts



pile (P)

2001\_P



2005\_P



2006\_P



2007\_P

REPLACEMENT INSERT:  
**P2 (BL, W)**



Eco-V™ (V)

2001\_V



2005\_V



2006\_V



2007\_V

REPLACEMENT INSERT:  
**EV41 (BL, GR, W)**

NOTE: Products shown in this section may not be drawn to scale.

AVAILABLE FINISHES FOR PRODUCTS SHOWN ON THIS PAGE (see General Information section for finish chart)  
**10BE** (Satin Bronze Powder Coated Aluminum) **A** (Mill Finish Aluminum) **B** (Mill Finish Extruded Bronze [Brass])  
**BSP** (Black Suede Powder Coated Aluminum) **D** (Dark Bronze Anodized) **G** (Gold Anodized)  
**WSP** (White Suede Powder Coated Aluminum)

NOTE: **G** is available with limited inventory



Experience a safer  
 and more open world

800-824-3018 | www.pemko.com  
 Check the web site for the up-to-date catalog

Copyright © 2015-2022, ASSA ABLOY Accessories and Door Controls Group, Inc., an ASSA ABLOY Group company. All rights reserved.  
 Reproduction in whole or in part without the express written permission of ASSA ABLOY Accessories and Door Controls Group, Inc. is prohibited.

# LATCHING PANIC EXIT SADDLES (Cont.)

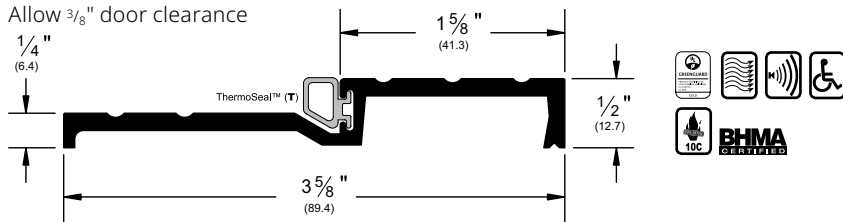
## 2007\_T

AVAILABLE FINISH: **10BE, A, BSP, D, WSP**

REPLACEMENT INSERT: **T5 (BL)**

ANSI (aluminum): **J35100, J35130, J36100, J36130**

Allow  $\frac{3}{8}$ " door clearance



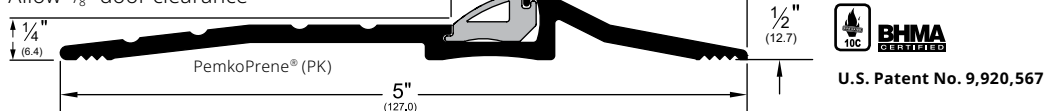
## 2009\_PK

AVAILABLE FINISHES: **10BE, A, BSP, D, WSP**

REPLACEMENT INSERT: **PK20 (BL)**

ANSI: **J36100, J36130**

Allow  $\frac{3}{8}$ " door clearance



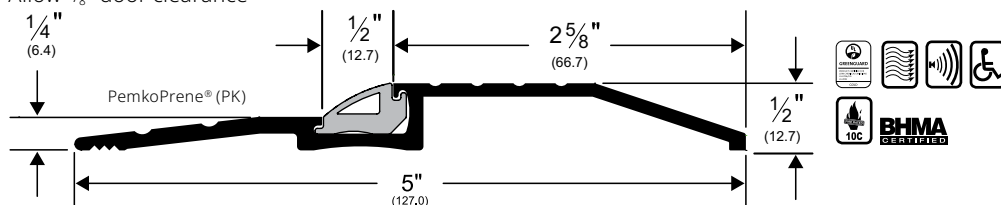
## 2010\_PK

AVAILABLE FINISHES: **10BE, A, BSP, D, WSP**

REPLACEMENT INSERT: **PK20 (BL)**

ANSI: **J36100, J36130**

Allow  $\frac{3}{8}$ " door clearance



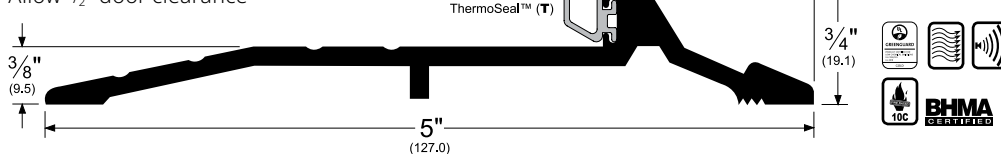
## 179\_T

AVAILABLE FINISHES: **10BE, A, BSP, D, WSP**

REPLACEMENT INSERT: **T5 (BL)**

ANSI (aluminum): **J35100, J36100**

Allow  $\frac{1}{2}$ " door clearance



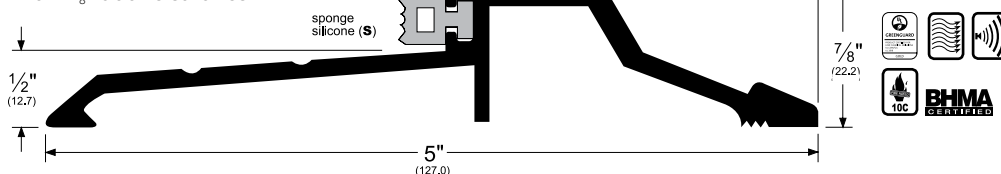
## 277\_S

AVAILABLE FINISHES: **10BE, A, BSP, D, WSP**

REPLACEMENT INSERT: **SR6 (BL)**

ANSI (aluminum): **J35100, J36100**

Allow  $\frac{5}{8}$ " door clearance



NOTE: Products shown in this section may not be drawn to scale.

AVAILABLE FINISHES FOR PRODUCTS SHOWN ON THIS PAGE (see General Information section for finish chart)

**10BE** (Satin Bronze Powder Coated Aluminum) **A** (Mill Finish Aluminum) **B** (Mill Finish Extruded Bronze [Brass])

**BSP** (Black Suede Powder Coated Aluminum) **D** (Dark Bronze Anodized) **WSP** (White Suede Powder Coated Aluminum)

### Alternate Inserts



pile (P)

2007\_P

REPLACEMENT INSERT:  
**P2 (BL, W)**



Eco-V™ (V)

2007\_V

REPLACEMENT INSERT:  
**EV41 (BL, GR, W)**

### Alternate Inserts



pile (P)

179\_P

REPLACEMENT INSERT:  
**P2 (BL, W)**



Eco-V™ (V)

179\_V

REPLACEMENT INSERT:  
**EV41 (BL, GR, W)**

### Alternate Inserts



sponge EPDM (R)

277\_R

REPLACEMENT INSERT:  
**E7 (BL)**  
ANSI (aluminum):  
**J36100**

**PEMCO**  
**ASSA ABLOY**

Experience a safer  
and more open world

800-824-3018 | www.pemco.com

Check the web site for the up-to-date catalog

Copyright © 2015-2022, ASSA ABLOY Accessories and Door Controls Group, Inc., an ASSA ABLOY Group company. All rights reserved. Reproduction in whole or in part without the express written permission of ASSA ABLOY Accessories and Door Controls Group, Inc. is prohibited.

# LATCHING PANIC EXIT SADDLES (Cont.)

## 159\_T

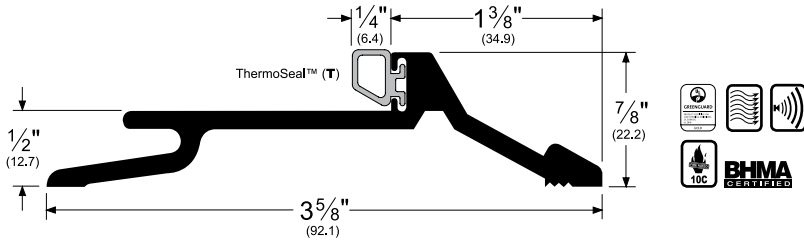
AVAILABLE FINISHES: **10BE, A, B, BSP, D, WSP**

REPLACEMENT INSERT: **T5 (BL)**

ANSI (aluminum): **J35300, J36300**

ANSI (brass): **J15300, J16300**

- Allow  $\frac{9}{16}$ " door clearance
- Provided with "J" hook.
- Can also be used as an interlock threshold (see Residential Thresholds section)



## 177\_T

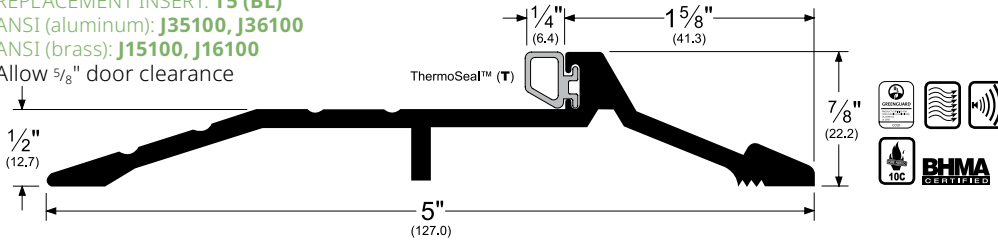
AVAILABLE FINISHES: **10BE, A, B, BSP, D, WSP**

REPLACEMENT INSERT: **T5 (BL)**

ANSI (aluminum): **J35100, J36100**

ANSI (brass): **J15100, J16100**

Allow  $\frac{5}{8}$ " door clearance



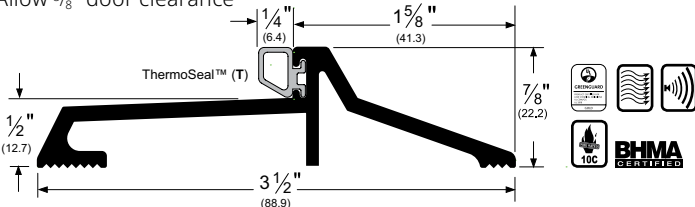
## 1855\_T

AVAILABLE FINISHES: **10BE, A, BSP, D, WSP**

REPLACEMENT INSERT: **T5 (BL)**

ANSI (aluminum): **J35100, J36100**

Allow  $\frac{5}{8}$ " door clearance



## 181\_T

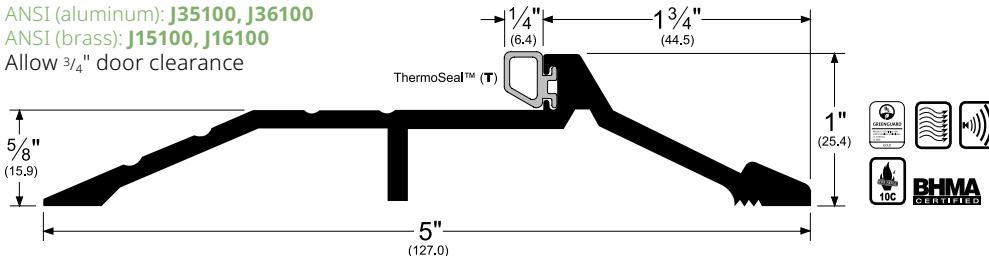
AVAILABLE FINISHES: **10BE, A, B, BSP, D, G, WSP**

REPLACEMENT INSERT: **T5 (BL)**

ANSI (aluminum): **J35100, J36100**

ANSI (brass): **J15100, J16100**

Allow  $\frac{3}{4}$ " door clearance



### Alternate Inserts



pile (P)

159\_P



177\_P



1855\_P

181\_P

REPLACEMENT INSERT:  
**P2 (BL, W)**



Eco-V™ (V)

159\_V



177\_V

1855\_V

181\_V

REPLACEMENT INSERT:  
**EV41 (BL, GR, W)**

NOTE: Products shown in this section may not be drawn to scale.

AVAILABLE FINISHES FOR PRODUCTS SHOWN ON THIS PAGE (see General Information section for finish chart)

**10BE** (Satin Bronze Powder Coated Aluminum) **A** (Mill Finish Aluminum) **B** (Mill Finish Extruded Bronze [Brass])  
**BDG** (Bright Dip Gold Anodized) **BSP** (Black Suede Powder Coated Aluminum) **D** (Dark Bronze Anodized)  
**G** (Gold Anodized) **WSP** (White Suede Powder Coated Aluminum)

NOTE: **G** is available with limited inventory



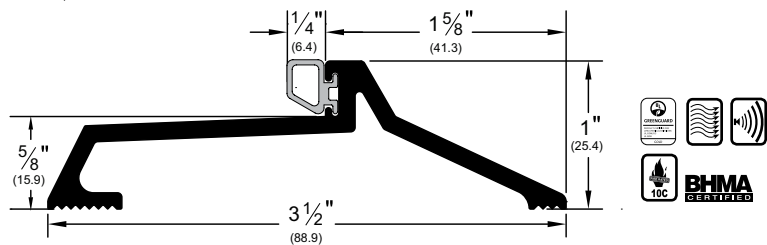
Experience a safer  
and more open world

800-824-3018 | www.pemko.com  
Check the web site for the up-to-date catalog

# LATCHING PANIC EXIT SADDLES (Cont.)

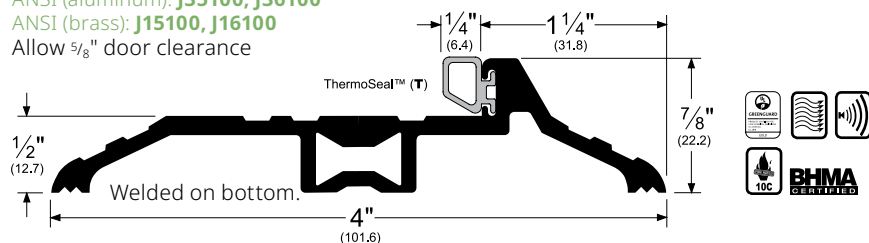
## 185\_T

AVAILABLE FINISHES: **10BE, A, BSP, D, WSP**  
 REPLACEMENT INSERT: **T5 (BL)**  
 ANSI (aluminum): **J35300, J36300**  
 Allow 3/4" door clearance



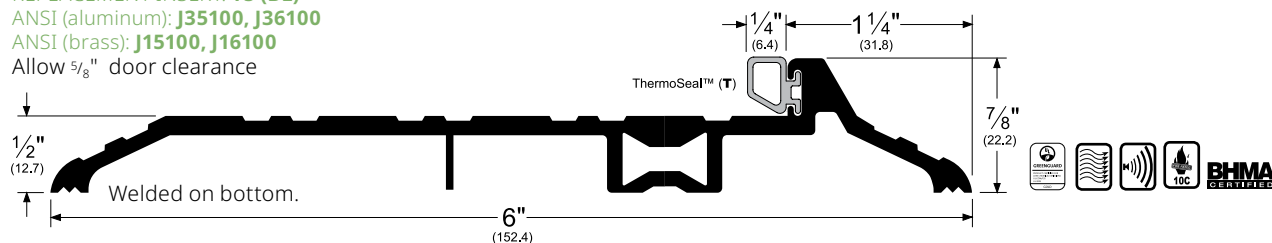
## 252x226\_T

AVAILABLE FINISHES: **10BE, A, B, BSP, D, WSP**  
 REPLACEMENT INSERT: **T5 (BL)**  
 ANSI (aluminum): **J35100, J36100**  
 ANSI (brass): **J15100, J16100**  
 Allow 5/8" door clearance



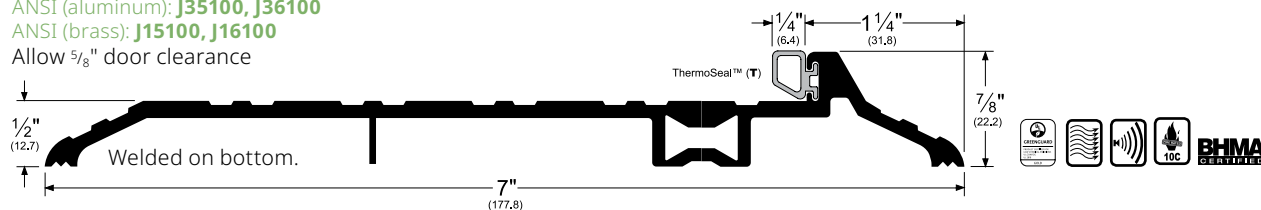
## 254x226\_T

AVAILABLE FINISHES: **10BE, A, B, BSP, D, WSP**  
 REPLACEMENT INSERT: **T5 (BL)**  
 ANSI (aluminum): **J35100, J36100**  
 ANSI (brass): **J15100, J16100**  
 Allow 5/8" door clearance



## 255x226\_T

AVAILABLE FINISHES: **10BE, A, B, BSP, D, WSP**  
 REPLACEMENT INSERT: **T5 (BL)**  
 ANSI (aluminum): **J35100, J36100**  
 ANSI (brass): **J15100, J16100**  
 Allow 5/8" door clearance



### Alternate Inserts



pile (P)

- 185\_P
- 252x226\_P
- 254x226\_P
- 255x226\_P

REPLACEMENT INSERT:  
**P2 (BL, W)**



Eco-V™ (V)

- 185\_V
- 252x226\_V
- 254x226\_V
- 255x226\_V

REPLACEMENT INSERT:  
**EV41 (BL, GR, W)**

NOTE: Products shown in this section may not be drawn to scale.

AVAILABLE FINISHES FOR PRODUCTS SHOWN ON THIS PAGE (see General Information section for finish chart)  
**10BE** (Satin Bronze Powder Coated Aluminum) **A** (Mill Finish Aluminum) **B** (Mill Finish Extruded Bronze [Brass])  
**BSP** (Black Suede Powder Coated Aluminum) **D** (Dark Bronze Anodized) **WSP** (White Suede Powder Coated Aluminum)

800-824-3018 | www.pemko.com

Check the web site for the up-to-date catalog

Copyright © 2015-2022, ASSA ABLOY Accessories and Door Controls Group, Inc., an ASSA ABLOY Group company. All rights reserved.  
 Reproduction in whole or in part without the express written permission of ASSA ABLOY Accessories and Door Controls Group, Inc. is prohibited.

**PEMKO**  
**ASSA ABLOY**

Experience a safer  
 and more open world

# LATCHING PANIC EXIT SADDLES - THERMAL BREAK

- Black rigid polypropylene key between extrusions provides thermal break (designated by "FG" Frost Guard following finish code)
- Used in conjunction with surface applied vertical rod exit device, or as a stop and a seal at the bottom of door
- These units are not welded

## 252x226\_FGT

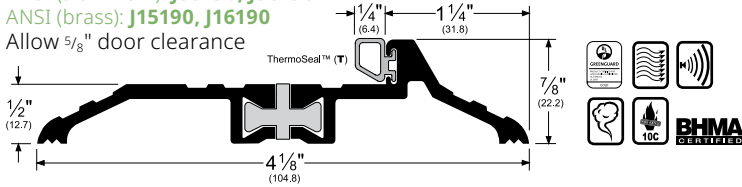
AVAILABLE FINISHES: **10BE, A, B, BSP, D, WSP**

REPLACEMENT INSERT: **T5 (BL)**

ANSI (aluminum): **J35190, J36190**

ANSI (brass): **J15190, J16190**

Allow  $\frac{5}{8}$ " door clearance



## 253x226\_FGT

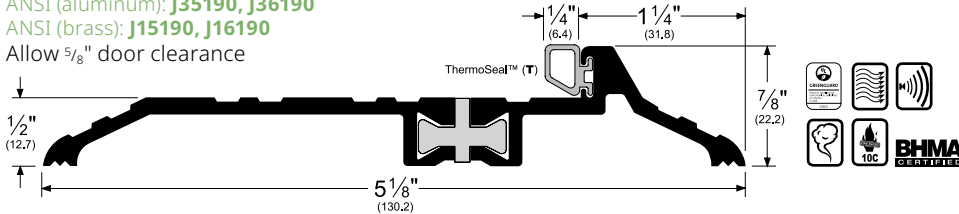
AVAILABLE FINISHES: **10BE, A, B, BSP, D, WSP**

REPLACEMENT INSERT: **T5 (BL)**

ANSI (aluminum): **J35190, J36190**

ANSI (brass): **J15190, J16190**

Allow  $\frac{5}{8}$ " door clearance



## 254x226\_FGT

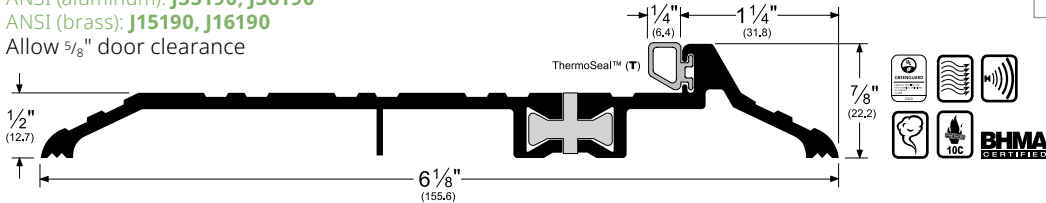
AVAILABLE FINISHES: **10BE, A, B, BSP, D, WSP**

REPLACEMENT INSERT: **T5 (BL)**

ANSI (aluminum): **J35190, J36190**

ANSI (brass): **J15190, J16190**

Allow  $\frac{5}{8}$ " door clearance



## 255x226\_FGT

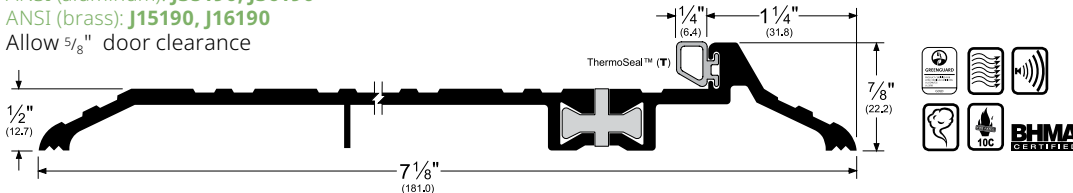
AVAILABLE FINISHES: **10BE, A, B, BSP, D, WSP**

REPLACEMENT INSERT: **T5 (BL)**

ANSI (aluminum): **J35190, J36190**

ANSI (brass): **J15190, J16190**

Allow  $\frac{5}{8}$ " door clearance



### Alternate Inserts



pile (P)

252x226\_FGP

253x226\_FGP

254x226\_FGP

255x226\_FGP

273x224\_FGP

REPLACEMENT INSERT:  
**P2 (BL, W)**



Eco-V™ (V)

252x226\_FGV

253x226\_FGV

254x226\_FGV

255x226\_FGV

273x224\_FGV

REPLACEMENT INSERT:  
**EV41 (BL, GR, W)**

NOTE: Products shown in this section may not be drawn to scale.

AVAILABLE FINISHES FOR PRODUCTS SHOWN ON THIS PAGE (see General Information section for finish chart)

**10BE** (Satin Bronze Powder Coated Aluminum) **A** (Mill Finish Aluminum) **B** (Mill Finish Extruded Bronze [Brass])

**BSP** (Black Suede Powder Coated Aluminum) **D** (Dark Bronze Anodized) **WSP** (White Suede Powder Coated Aluminum)



Experience a safer  
and more open world

800-824-3018 | www.pemko.com

Check the web site for the up-to-date catalog

Copyright © 2015-2022, ASSA ABLOY Accessories and Door Controls Group, Inc., an ASSA ABLOY Group company. All rights reserved. Reproduction in whole or in part without the express written permission of ASSA ABLOY Accessories and Door Controls Group, Inc. is prohibited.

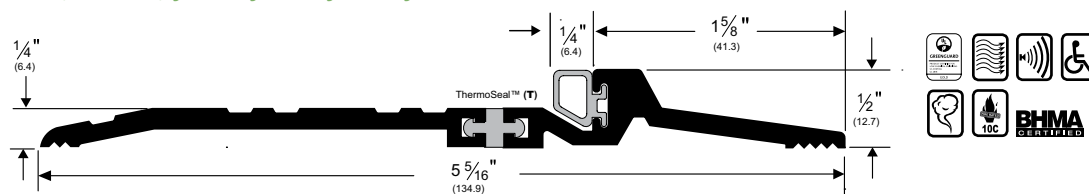


# LATCHING PANIC EXIT SADDLES - THERMAL BREAK (Cont.)

- Allow 3/8" door clearance

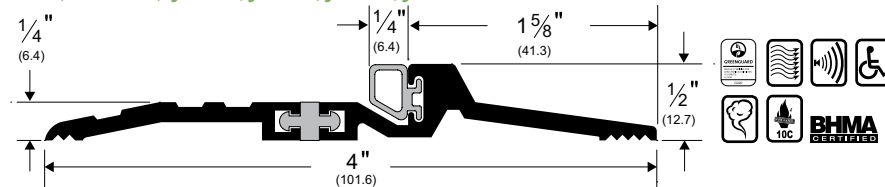
## 273x224\_FGT

AVAILABLE FINISHES: **10BE, A, BSP, D, WSP**  
 REPLACEMENT INSERT: **T5 (BL)**  
 ANSI (aluminum): **J36130, J36139, J36190, J36193**



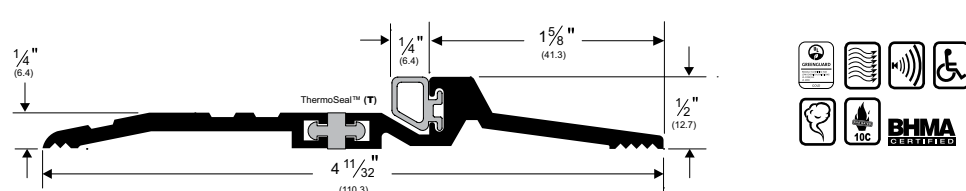
## 278x224\_FGT

AVAILABLE FINISHES: **10BE, A, BSP, D, WSP**  
 REPLACEMENT INSERT: **T5 (BL)**  
 ANSI (aluminum): **J36130, J36139, J36190, J36193**



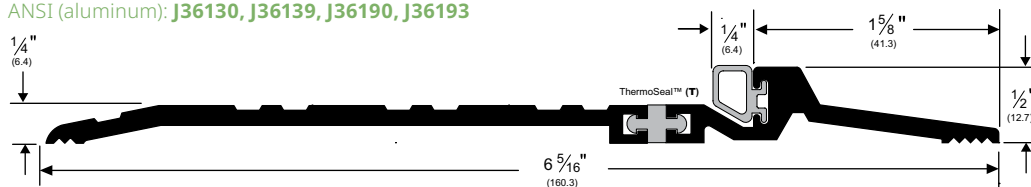
## 279x224\_FGT

AVAILABLE FINISHES: **10BE, A, BSP, D, WSP**  
 REPLACEMENT INSERT: **T5 (BL)**  
 ANSI (aluminum): **J36130, J36139, J36190, J36193**



## 274x224\_FGT

AVAILABLE FINISHES: **10BE, A, BSP, D, WSP**  
 REPLACEMENT INSERT: **T5 (BL)**  
 ANSI (aluminum): **J36130, J36139, J36190, J36193**



**Alternate Inserts**

pile (P)

273x224\_FGP

274x224\_FGP

278x224\_FGP

279x224\_FGP

REPLACEMENT INSERT: **P2 (BL, W)**

---

Eco-V™ (V)

273x224\_FGV

274x224\_FGV

278x224\_FGV

279x224\_FGV

REPLACEMENT INSERT: **EV41 (BL, GR, W)**

NOTE: Products shown in this section may not be drawn to scale.

AVAILABLE FINISHES FOR PRODUCTS SHOWN ON THIS PAGE (see General Information section for finish chart)  
**10BE** (Satin Bronze Powder Coated Aluminum) **A** (Mill Finish Aluminum) **BSP** (Black Suede Powder Coated Aluminum)  
**D** (Dark Bronze Anodized) **WSP** (White Suede Powder Coated Aluminum)

800-824-3018 | www.pemko.com

Check the web site for the up-to-date catalog

Copyright © 2015-2022, ASSA ABLOY Accessories and Door Controls Group, Inc., an ASSA ABLOY Group company. All rights reserved.  
 Reproduction in whole or in part without the express written permission of ASSA ABLOY Accessories and Door Controls Group, Inc. is prohibited.

**PEMCO**  
**ASSA ABLOY**

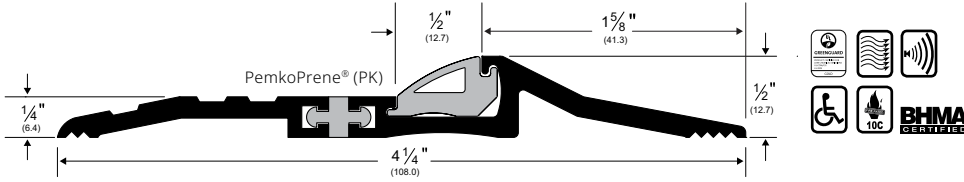
Experience a safer  
 and more open world

# LATCHING PANIC EXIT SADDLES - THERMAL BREAK (Cont.)

- Allow 3/8" door clearance

## 278x292\_FGPK

AVAILABLE FINISHES: **10BE, A, BSP, D, WSP**  
 REPLACEMENT INSERT: **PK20 (BL)**  
 ANSI (aluminum): **J35190, J35193, J36190, J36193**



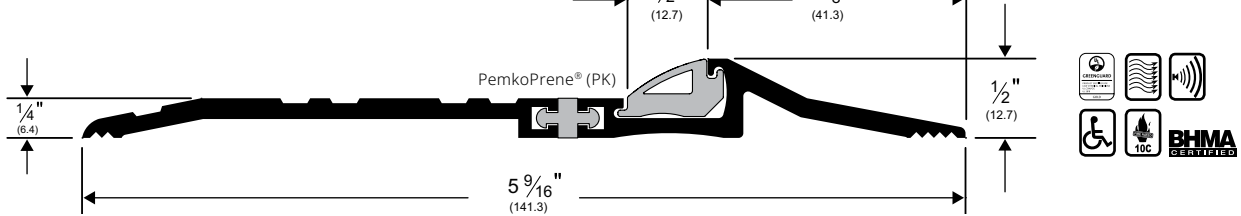
## 279x292\_FGPK

AVAILABLE FINISHES: **10BE, A, BSP, D, WSP**  
 REPLACEMENT INSERT: **PK20 (BL)**  
 ANSI (aluminum): **J35190, J35193, J36190, J36193**



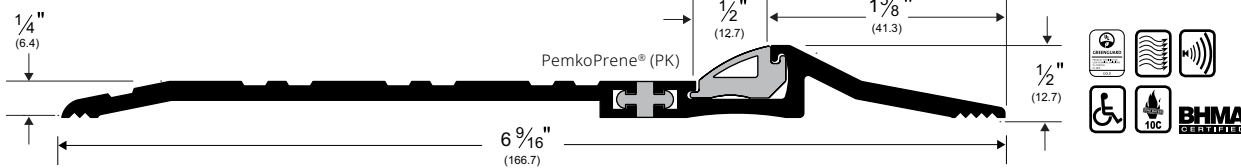
## 273x292\_FGPK

AVAILABLE FINISHES: **10BE, A, BSP, D, WSP**  
 REPLACEMENT INSERT: **PK20 (BL)**  
 ANSI (aluminum): **J35190, J35193, J36190, J36193**



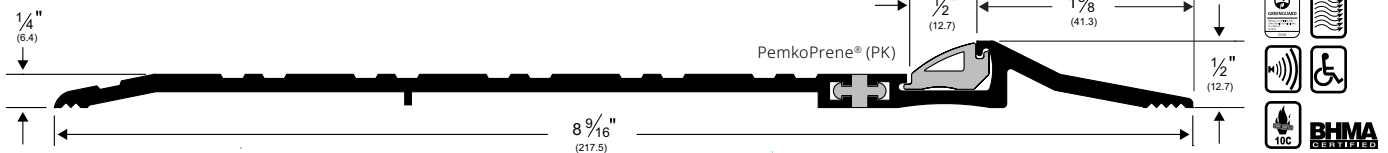
## 274x292\_FGPK

AVAILABLE FINISHES: **10BE, A, BSP, D, WSP**  
 REPLACEMENT INSERT: **PK20 (BL)**  
 ANSI (aluminum): **J35190, J35193, J36190, J36193**



## 2746x292\_FGPK

AVAILABLE FINISHES: **10BE, A, BSP, D, WSP**  
 REPLACEMENT INSERT: **PK20 (BL)**  
 ANSI (aluminum): **J35190, J35193, J36190, J36193**



NOTE: Products shown in this section may not be drawn to scale.

AVAILABLE FINISHES FOR PRODUCTS SHOWN ON THIS PAGE (see General Information section for finish chart)  
**10BE** (Satin Bronze Powder Coated Aluminum) **A** (Mill Finish Aluminum) **BSP** (Black Suede Powder Coated Aluminum)  
**D** (Dark Bronze Anodized) **WSP** (White Suede Powder Coated Aluminum)



Experience a safer  
and more open world

800-824-3018 | www.pemko.com

Check the web site for the up-to-date catalog

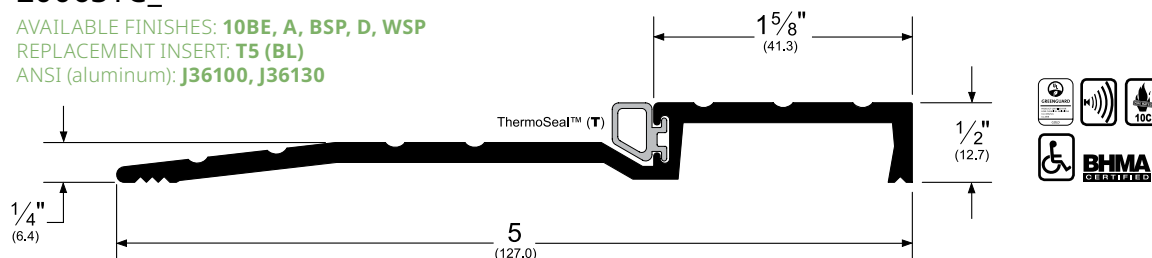
Copyright © 2015-2022, ASSA ABLOY Accessories and Door Controls Group, Inc., an ASSA ABLOY Group company. All rights reserved. Reproduction in whole or in part without the express written permission of ASSA ABLOY Accessories and Door Controls Group, Inc. is prohibited.

## ACOUSTIC THRESHOLDS

- Pemko's line of Acoustic Thresholds are designed to aid with a door's STC rating
- **2006STC** and **2007STC** are only ADA compliant when installed butted to other flooring materials in accordance with ADA guidelines
- Thresholds will not improve a door's "sealed in-place" STC rating
- See the Acoustic Catalog Section or visit Pemko's website, [www.assaabloydooraccessories.us](http://www.assaabloydooraccessories.us), for more Acoustic products and additional information

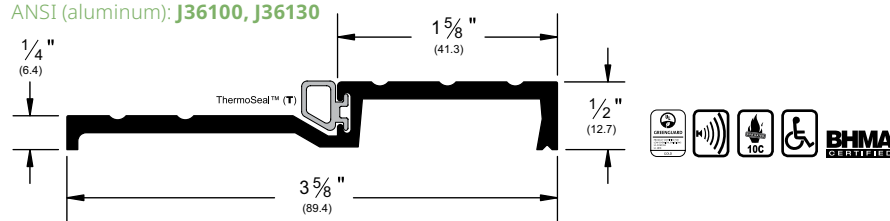
### 2006STC\_

AVAILABLE FINISHES: **10BE, A, BSP, D, WSP**  
 REPLACEMENT INSERT: **T5 (BL)**  
 ANSI (aluminum): **J36100, J36130**



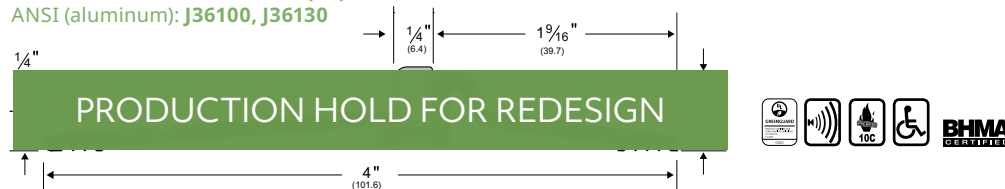
### 2007STC\_

AVAILABLE FINISHES: **10BE, A, BSP, D, WSP**  
 REPLACEMENT INSERT: **T5 (BL)**  
 ANSI (aluminum): **J36100, J36130**



### 2008\_PK

AVAILABLE FINISHES: **10BE, A, BSP, D, WSP**  
 REPLACEMENT INSERT: **PK381 (BL)**  
 ANSI (aluminum): **J36100, J36130**

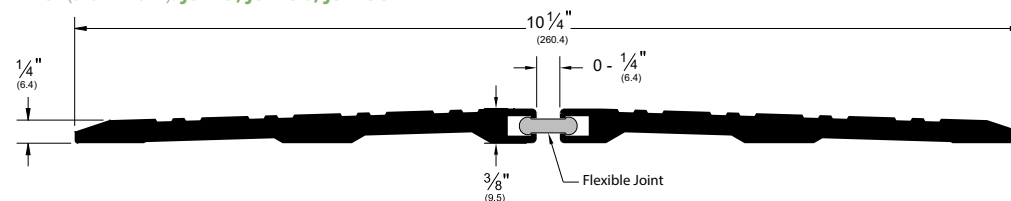


## THRESHOLD WITH FLEXIBLE JOINT

- Flexible joint allows the threshold to flex as much as 20° up or down
- Expands up to an additional 1/4"

### 573x5\_FG

AVAILABLE FINISHES: **A, D**  
 REPLACEMENT INSERT: **PK45 (BL)**  
 ANSI (aluminum): **J3219, J32190, J32193**



\* When used in such a manner that the slope is not steeper than 1:2, and the overall height is 1/2" or less and all other criteria are met.



NOTE: Products shown in this section may not be drawn to scale.

AVAILABLE FINISHES FOR PRODUCTS SHOWN ON THIS PAGE (see General Information section for finish chart)  
**10BE** (Satin Bronze Powder Coated Aluminum) **A** (Mill Finish Aluminum) **BSP** (Black Suede Powder Coated Aluminum)  
**D** (Dark Bronze Anodized) **WSP** (White Suede Powder Coated Aluminum)

800-824-3018 | [www.pemko.com](http://www.pemko.com)

Check the web site for the up-to-date catalog

Copyright © 2015-2022, ASSA ABLOY Accessories and Door Controls Group, Inc., an ASSA ABLOY Group company. All rights reserved. Reproduction in whole or in part without the express written permission of ASSA ABLOY Accessories and Door Controls Group, Inc. is prohibited.

**PEMKO**  
**ASSA ABLOY**

Experience a safer  
 and more open world

# ECO-V™ THRESHOLDS

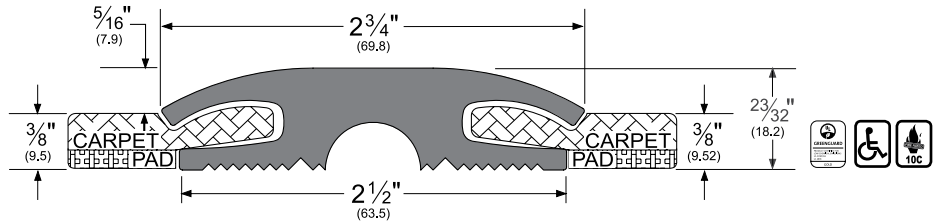
- Eco-V™ thresholds create an ideal transition where two different pieces of carpet meet, or carpet meets another surface under a door
- Ideal for use in any high-traffic commercial installation, such as hotels and offices
- Eco-V™ thresholds are manufactured from slightly softer material than competitive products. This aids in the cutting and fitting of the threshold and facilitates easier insertion of the carpet into the holding cavities on the carpet side(s) of the threshold
- Eco-V™ thresholds are designed to work in conjunction with Pemko's **2173\_V**, **2113\_V** and **2343\_V** door shoes
- **EV232**, **EV2325**, and **ADJ232V** thresholds meet the requirements outlined in **ADAAG-2010 (Amended)**; **ICC/ANSI A117.1** and **California Building Code**, Title 24 for Barrier-Free Entry - 1/2" max rise above finished floor

## EV232\_

AVAILABLE COLORS: **BL, D**

AVAILABLE LENGTHS: **36", 48", 73"**

Serves as a transition where two pieces of carpet meet beneath an interior door

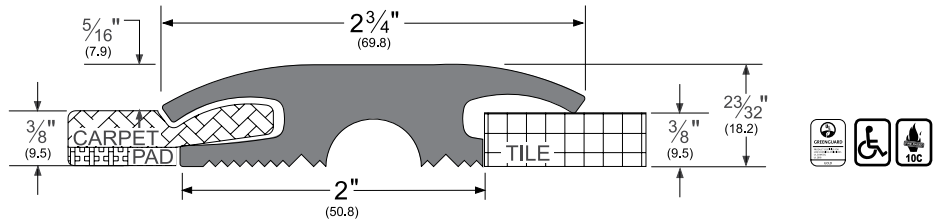


## EV2325\_

AVAILABLE COLORS: **BL, D**

AVAILABLE LENGTHS: **36", 48", 73"**

Serves as a transition where one piece of carpet meets tile beneath an interior door

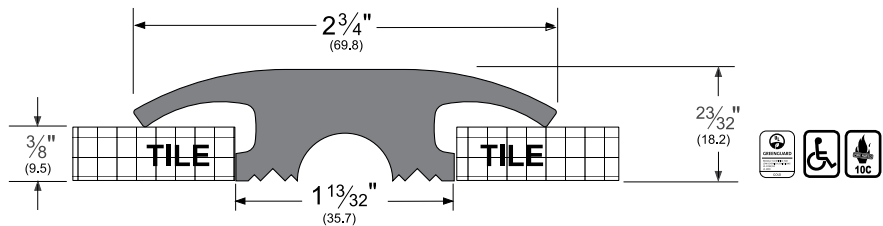


## EV2326\_

AVAILABLE COLORS: **BL, D**

AVAILABLE LENGTHS: **36", 48", 73"**

Serves as a transition where two pieces of tile meet beneath an interior door

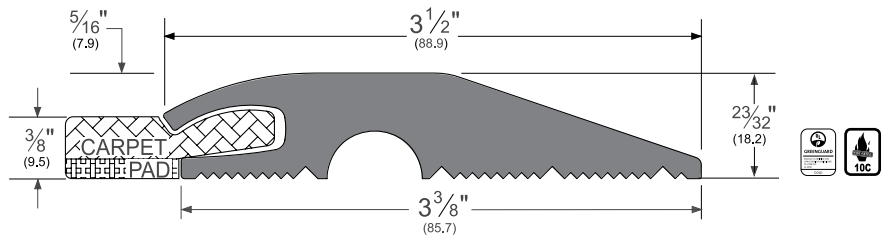


## EV2320\_

AVAILABLE COLOR: **BL**

AVAILABLE LENGTHS: **36", 48", 73"**

Serves as a transition where carpet meets concrete beneath an interior or exterior door

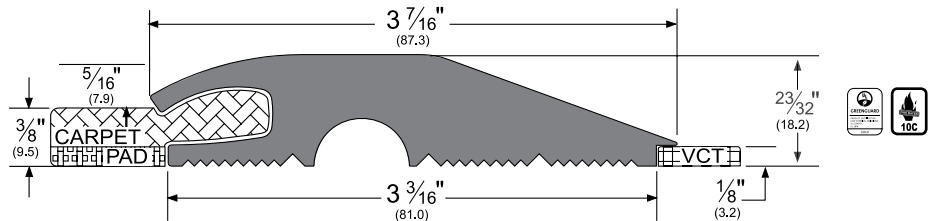


## EV2322\_

AVAILABLE COLOR: **BL**

AVAILABLE LENGTHS: **36", 48", 73"**

Serves as a transition where carpet meets 1/8" tile beneath an interior door



NOTE: Products shown in this section may not be drawn to scale.

AVAILABLE FINISHES FOR PRODUCTS SHOWN ON THIS PAGE (see General Information section for finish chart)

**BL** (Black) **D** (Dark Brown)



Experience a safer and more open world

800-824-3018 | [www.pemko.com](http://www.pemko.com)  
Check the web site for the up-to-date catalog

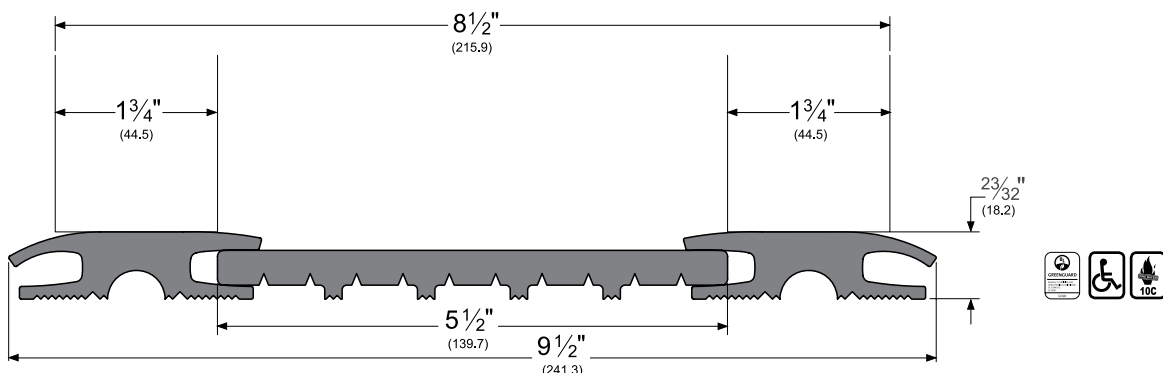
Copyright © 2015-2022, ASSA ABLOY Accessories and Door Controls Group, Inc., an ASSA ABLOY Group company. All rights reserved. Reproduction in whole or in part without the express written permission of ASSA ABLOY Accessories and Door Controls Group, Inc. is prohibited.

## ADJUSTABLE-WIDTH ECO-V™ THRESHOLD

- The adjustable-width threshold is designed for installations where the widths of the transition beneath a door may need to change, without completely disassembling and reinstalling the threshold
- The adjustable-width threshold consists of two Eco-V™ end pieces and one Eco-V™ adjustable center section
- Center section (**EV2321** below) can easily be cut to size with a standard razor knife

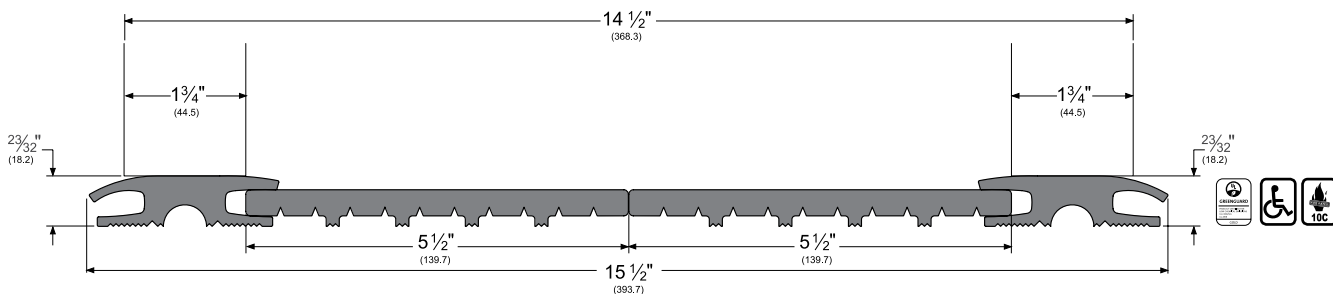
### ADJ232V8\_

AVAILABLE COLOR: **BL, D**  
AVAILABLE LENGTHS: **36", 48"**



### ADJ232V14\_

AVAILABLE COLOR: **BL, D**  
AVAILABLE LENGTHS: **36", 48"**

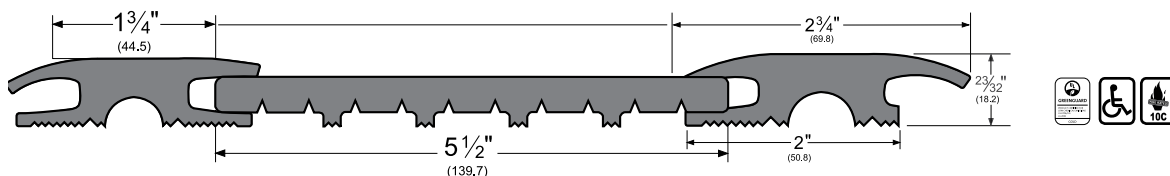


- Eco-V™ threshold ends can be used in many combinations to suit your flooring combination needs
- Shown below is **EV232** used with **EV2325** to illustrate use with carpet outside one communicating door and tile outside the other

### ADJ232x2325V8\_

AVAILABLE COLOR: **BL, D**  
AVAILABLE LENGTHS: **36", 48", 73"**

Serves as a transition where carpet meets tile beneath an interior door



NOTE: Products shown in this section may not be drawn to scale.

AVAILABLE FINISHES FOR PRODUCTS SHOWN ON THIS PAGE (see General Information section for finish chart)  
**BL** (Black) **D** (Dark Brown Anodized)

800-824-3018 | [www.pemko.com](http://www.pemko.com)

Check the web site for the up-to-date catalog

Copyright © 2015-2022, ASSA ABLOY Accessories and Door Controls Group, Inc., an ASSA ABLOY Group company. All rights reserved.  
Reproduction in whole or in part without the express written permission of ASSA ABLOY Accessories and Door Controls Group, Inc. is prohibited.

**PEMKO**  
**ASSA ABLOY**

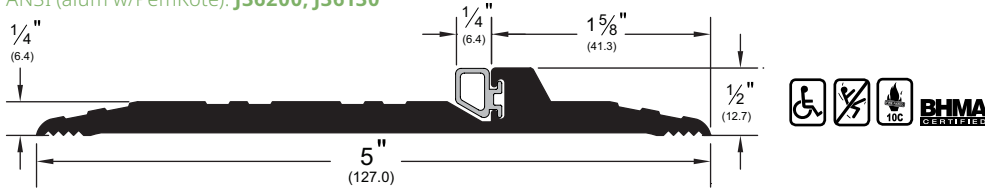
Experience a safer  
and more open world


# HEAVY DUTY LATCHING PANIC EXIT SADDLE THRESHOLD

- Ideal for heavy-duty, high-traffic and high weight-bearing applications, such as industrial facilities, schools, cafeterias, manufacturing buildings and hospitals
- Withstands coastal and high-humidity conditions
- Ultra-durable, extra thick extruded nickel-aluminum construction is guaranteed for ten (10) years

## 2705\_T

AVAILABLE FINISHES: **10BE, A, AK, BSP, D, WSP**  
 ANSI (aluminum): **J35100, J35130, J36100, J36130**  
 ANSI (alum w/PemKote): **J36200, J36130**



  
 All items on this page are available with PemKote™ non-slip coating (see General Information section). Please specify "PemKote™" when ordering. Please furnish drilling instructions when ordering PemKote™ as it is difficult to drill through this coating.


# HEAVY DUTY THRESHOLDS

- Ideal for heavy-duty, high-traffic and high weight-bearing applications, such as industrial facilities, schools, cafeterias, manufacturing buildings and hospitals
- Withstands coastal and high-humidity conditions
- Ultra-durable, extra thick extruded nickel-aluminum construction is guaranteed for ten (10) years

## 2715

AVAILABLE FINISHES: **10BE, A, AK, BSP, D, WSP**  
 ANSI (aluminum): **J32100, J32130**  
 ANSI (alum w/PemKote): **J32200, J32230**



  
 All items on this page are available with PemKote™ non-slip coating (see General Information section). Please specify "PemKote™" when ordering. Please furnish drilling instructions when ordering PemKote™ as it is difficult to drill through this coating.

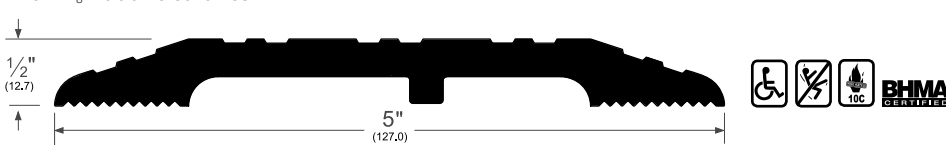
## 2716

AVAILABLE FINISHES: **10BE, A, AK, BSP, D, WSP**  
 ANSI (aluminum): **J32100, J32130**  
 ANSI (alum w/PemKote): **J32200, J32230**



## 1715\_

AVAILABLE FINISHES: **10BE, A, AK, BSP, D, WSP**  
 ANSI (aluminum): **J32100, J32130**  
 ANSI (alum w/PemKote): **J32200, J32230**  
 Allow 5/8" door clearance



NOTE: Products shown in this section may not be drawn to scale.

AVAILABLE FINISHES FOR PRODUCTS SHOWN ON THIS PAGE (see General Information section for finish chart)  
**10BE** (Satin Bronze Powder Coated Aluminum) **A** (Mill Finish Aluminum)  
**AK** (Mill Finish Aluminum w/PemKote™ Non-Slip Coating) **BSP** (Black Suede Powder Coated Aluminum)  
**D** (Dark Bronze Anodized) **WSP** (White Suede Powder Coated Aluminum)

NOTE: D is available with limited inventory



Experience a safer and more open world

800-824-3018 | www.pemko.com  
 Check the web site for the up-to-date catalog

## HEAVY DUTY THRESHOLDS (Cont.)

### 1716\_

AVAILABLE FINISHES: **10BE, A, AK, BSP, D, WSP**

ANSI (aluminum): **J32100, J32130**

ANSI (alum w/PemKote): **J32200, J32230**

Allow  $\frac{5}{8}$ " door clearance



All items on this page are available with PemKote™ non-slip coating (see General Information section). Please specify "PemKote™" when ordering. Please furnish drilling instructions when ordering PemKote™ as it is difficult to drill through this coating.

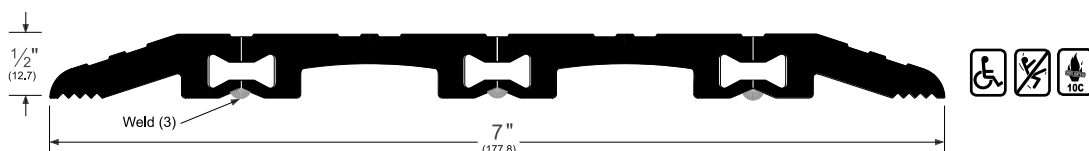
## MODULAR HEAVY DUTY THRESHOLDS

- Modular construction allows threshold to fit openings up to 15" wide without the expense of custom cast thresholds. There is no restriction on width additions (in 1" increments)
- Modular Thresholds can be thermally broken. Order by adding "FG" to the part number and designate at which joint the thermal key should be supplied. Note that each thermal key will add  $\frac{1}{8}$ " to overall width of threshold.

### 1717\_

AVAILABLE FINISHES: **10BE, A, AK, BSP, D, WSP**

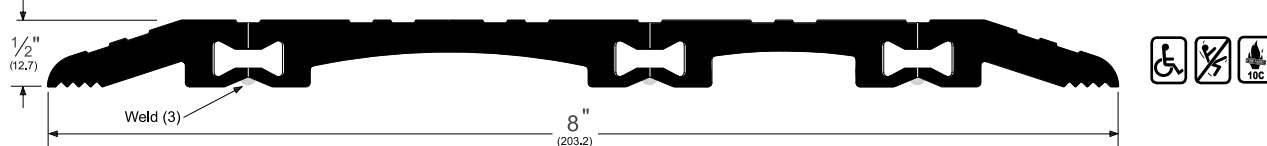
Allow  $\frac{5}{8}$ " door clearance



### 1718\_

AVAILABLE FINISHES: **10BE, A, AK, BSP, D, WSP**

Allow  $\frac{5}{8}$ " door clearance



### 1719\_

AVAILABLE FINISHES: **10BE, A, AK, BSP, D, WSP**

Allow  $\frac{5}{8}$ " door clearance



NOTE: Products shown in this section may not be drawn to scale.

AVAILABLE FINISHES FOR PRODUCTS SHOWN ON THIS PAGE (see General Information section for finish chart)

**10BE** (Satin Bronze Powder Coated Aluminum) **A** (Mill Finish Aluminum)

**AK** (Mill Finish Aluminum w/PemKote™ Non-Slip Coating) **BSP** (Black Suede Powder Coated Aluminum)

**D** (Dark Bronze Anodized) **WSP** (White Suede Powder Coated Aluminum)

NOTE: D is available with limited inventory

800-824-3018 | [www.pemko.com](http://www.pemko.com)

Check the web site for the up-to-date catalog


Copyright © 2015-2022, ASSA ABLOY Accessories and Door Controls Group, Inc., an ASSA ABLOY Group company. All rights reserved. Reproduction in whole or in part without the express written permission of ASSA ABLOY Accessories and Door Controls Group, Inc. is prohibited.

**PEMKO**  
**ASSA ABLOY**

Experience a safer  
and more open world

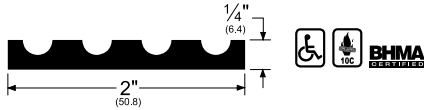
# FLOOR PLATES/SAFETY TREADS

- Pemko can fabricate almost any floor plate threshold you might require
- Furnished undrilled unless drilling instructions are specified when ordering
- Ordering of fasteners does not constitute drilling instructions
- Elevated floor plates require support every 4" on center, at welded seams, and as necessary for support
- Orders with "x" in the product number (i.e. 195 x 193 x 195) indicate welding

 Available with PemKote™ non-slip coating (see General Information section). Please specify "PemKote™" when ordering. Please furnish drilling instructions when ordering PemKote™ as it is difficult to drill through this coating.

## 190\_

AVAILABLE FINISHES: **10BE, A, BSP, D, WSP**  
 ANSI (aluminum): **J37100, J37130**  
 ANSI (brass): **J17100, J17130**



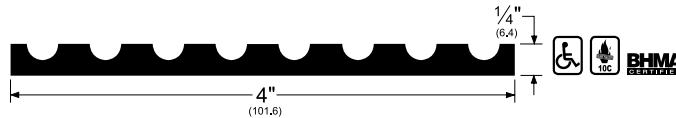
## 191\_

AVAILABLE FINISHES: **10BE, A, BSP, D, WSP**  
 ANSI (aluminum): **J37100, J37130**  
 ANSI (brass): **J17100, J17130**



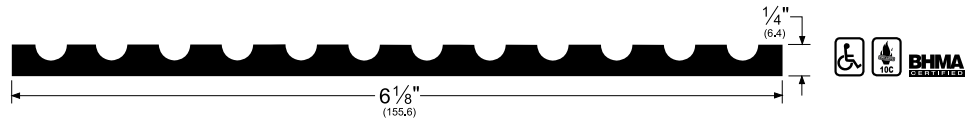
## 192\_

AVAILABLE FINISHES: **10BE, A, BSP, D, WSP**  
 ANSI (aluminum): **J37100, J37130**  
 ANSI (brass): **J17100, J17130**



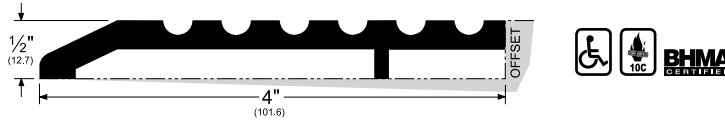
## 193\_

AVAILABLE FINISHES: **10BE, A, BSP, D, WSP**  
 ANSI (aluminum): **J37100, J37130**  
 ANSI (brass): **J17100, J17130**



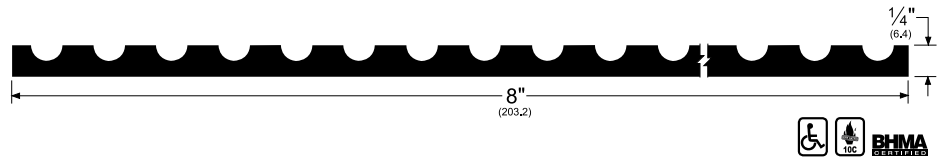
## 227\_

AVAILABLE FINISHES: **10BE, A, BSP, D, WSP**  
 ANSI (aluminum): **J33100, J33130**  
 ANSI (brass): **J13100, J13130**



## 228\_

AVAILABLE FINISHES: **10BE, A, BSP, D, WSP**  
 ANSI (aluminum): **J37100, J37130**  
 ANSI (brass): **J17100, J17130**



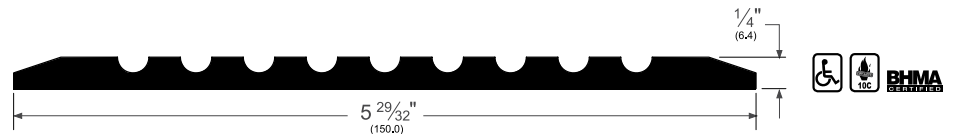
## 229\_

AVAILABLE FINISHES: **10BE, A, BSP, D, WSP**  
 ANSI (aluminum): **J33100, J33130**



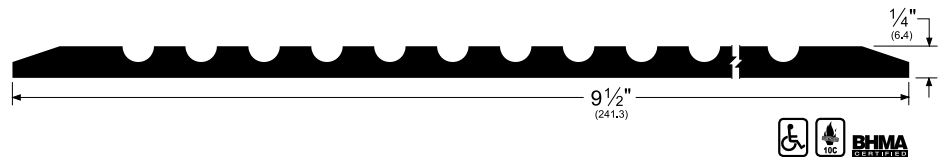
## 2266\_

AVAILABLE FINISHES: **10BE, A, BSP, D, WSP**  
 ANSI (aluminum): **J37100, J37130**



## 2286\_

AVAILABLE FINISHES: **10BE, A, BSP, D, WSP**  
 ANSI (aluminum): **J37100, J37130**



NOTE: Products shown in this section may not be drawn to scale.

AVAILABLE FINISHES FOR PRODUCTS SHOWN ON THIS PAGE (see General Information section for finish chart)

- 10BE** (Satin Bronze Powder Coated Aluminum) **A** (Mill Finish Aluminum)
- BSP** (Black Suede Powder Coated Aluminum) **D** (Dark Bronze Anodized)
- WSP** (White Suede Powder Coated Aluminum)



Experience a safer and more open world

800-824-3018 | www.pemko.com  
 Check the web site for the up-to-date catalog

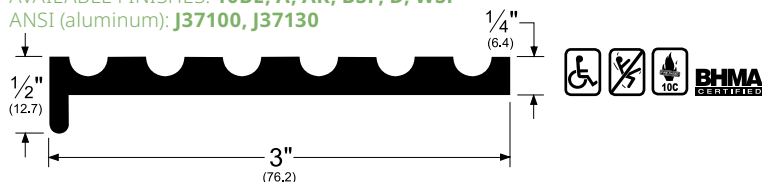
Copyright © 2015-2022, ASSA ABLOY Accessories and Door Controls Group, Inc., an ASSA ABLOY Group company. All rights reserved. Reproduction in whole or in part without the express written permission of ASSA ABLOY Accessories and Door Controls Group, Inc. is prohibited.



## FLOOR PLATES/SAFETY TREADS (Cont.)

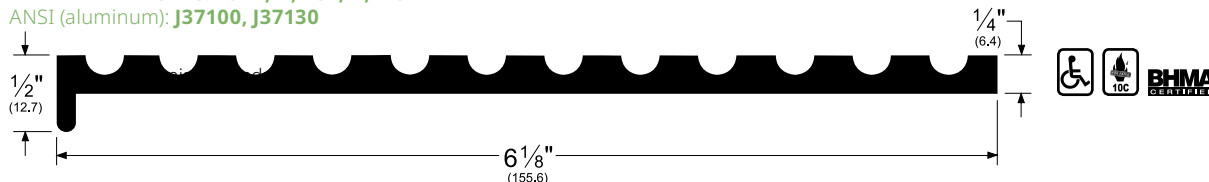
### 19125\_

AVAILABLE FINISHES: **10BE, A, AK, BSP, D, WSP**  
ANSI (aluminum): **J37100, J37130**



### 19325\_

AVAILABLE FINISHES: **10BE, A, BSP, D, WSP**  
ANSI (aluminum): **J37100, J37130**



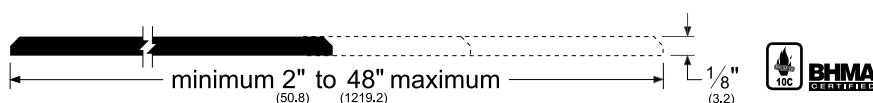
## ALUMINUM PLATES

- Used where a cover plate, expansion joint plate, or wide extra-strength metal plate is needed
- Maximum length is 144". All aluminum plates are provided NET length
- Both length edges are beveled at a 45° angle; "single edge bevel" or "no bevel" is also available at no extra cost; length of plate should be roughly equal to width of opening.
- Plates are supplied undrilled unless otherwise specified. Pemko reserves the right to charge for special fastener patterns
- Plates are furnished with #10 x 1 1/2" wood screws. Screws supplied: one (1) screw per foot up to 8" wide; two (2) screws per foot 8" to 12" wide; and three (3) screws per foot over 12" wide
- Plates are ADA compliant only when ordered with PemKote finish



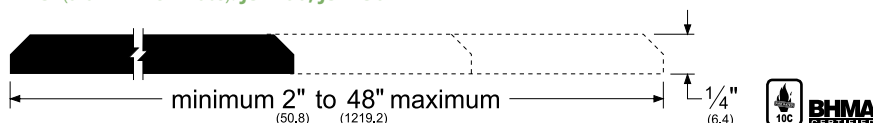
### 18/1\_ - (width x length)

AVAILABLE FINISH: **10BE, A, AK, BSP, WSP**  
ANSI (aluminum): **J37300, J37330**  
ANSI (alum w/PemKote): **J37400, J37430**



### 14/1\_ - (width x length)

AVAILABLE FINISH: **10BE, A, AK, BSP, WSP**  
ANSI (aluminum): **J37300, J37330**  
ANSI (alum w/PemKote): **J37400, J37430**



NOTE: Products shown in this section may not be drawn to scale.

AVAILABLE FINISHES FOR PRODUCTS SHOWN ON THIS PAGE (see General Information section for finish chart)

**10BE** (Satin Bronze Powder Coated Aluminum) **A** (Mill Finish Aluminum)

**AK** (Mill Finish Aluminum w/PemKote™ Non-Slip Coating) **BSP** (Black Suede Powder Coated Aluminum)

**D** (Dark Bronze Anodized) **WSP** (White Suede Powder Coated Aluminum)

800-824-3018 | [www.pemko.com](http://www.pemko.com)

Check the web site for the up-to-date catalog

Copyright © 2015-2022, ASSA ABLOY Accessories and Door Controls Group, Inc., an ASSA ABLOY Group company. All rights reserved. Reproduction in whole or in part without the express written permission of ASSA ABLOY Accessories and Door Controls Group, Inc. is prohibited.

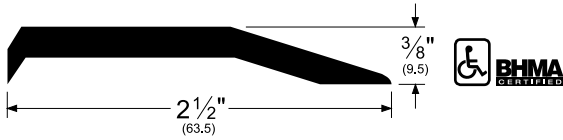
**PEMKO**  
**ASSA ABLOY**

Experience a safer  
and more open world

# CARPET SEPARATORS

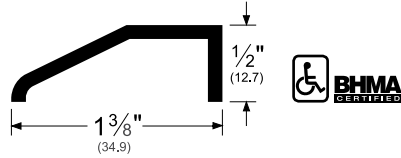
174\_

AVAILABLE FINISHES: **10BE, BSP, C, D, WSP**  
 ANSI (aluminum): **J32300, J32340**  
 ANSI (brass): **J17300, J17330**



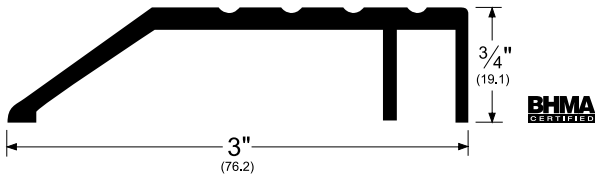
1951\_

AVAILABLE FINISHES: **A, D**  
 ANSI (aluminum): **J37300, J37330**  
 • Supplied undrilled unless otherwise specified  
 • ADA compliant when butted to 1/4" or 1/2" high flooring material



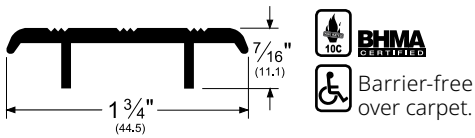
230\_

AVAILABLE FINISHES: **10BE, A, BSP, D, WSP**



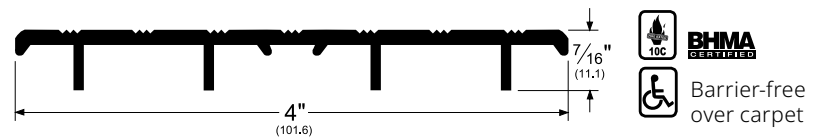
236\_

AVAILABLE FINISHES: **10BE, A, BDG, BSP, D, WSP**  
 ANSI (aluminum): **J32134**



2364\_

AVAILABLE FINISHES: **10BE, A, BSP, D, WSP**  
 ANSI (aluminum): **J32134, J32140**



2366\_

AVAILABLE FINISHES: **10BE, A, BSP, D, WSP**  
 ANSI (aluminum): **J32134**



NOTE: Products shown in this section may not be drawn to scale.

AVAILABLE FINISHES FOR PRODUCTS SHOWN ON THIS PAGE (see General Information section for finish chart)

**10BE** (Satin Bronze Powder Coated Aluminum) **A** (Mill Finish Aluminum)  
**BDG** (Bright Dip Gold Anodized) **BSP** (Black Suede Powder Coated Aluminum) **C** (Clear Anodized)  
**D** (Dark Bronze Anodized) **WSP** (White Suede Powder Coated Aluminum)



Experience a safer and more open world

800-824-3018 | www.pemko.com  
 Check the web site for the up-to-date catalog

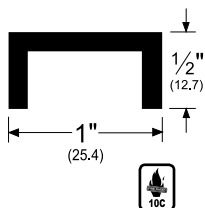
Copyright © 2015-2022, ASSA ABLOY Accessories and Door Controls Group, Inc., an ASSA ABLOY Group company. All rights reserved. Reproduction in whole or in part without the express written permission of ASSA ABLOY Accessories and Door Controls Group, Inc. is prohibited.

## FLOOR PLATE SUPPORTS/ACCESSORIES

- Please see information under Floor Plates and Safety Treads (page 134-135)

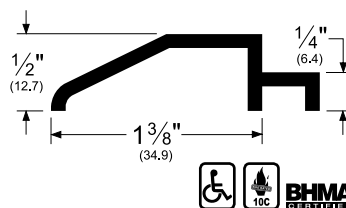
189\_

AVAILABLE FINISHES:  
10BE, A, BSP, D, G, WSP



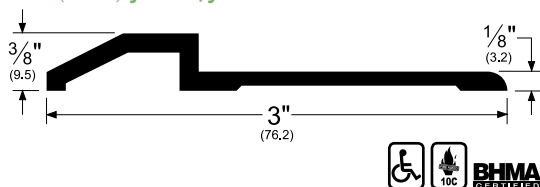
195\_

AVAILABLE FINISHES: 10BE, A, BSP, D, G, WSP  
ANSI (aluminum): J37300  
ANSI (brass): J17300



200\_

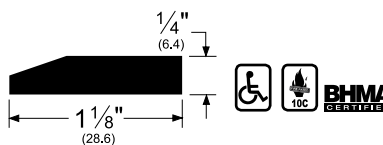
AVAILABLE FINISHES: 10BE, A, BSP, D, G, WSP  
ANSI (aluminum): J37300, J37330  
ANSI (brass): J17300, J17330



196\_

AVAILABLE FINISHES: 10BE, A, B, BSP, D, WSP  
ANSI (aluminum): J37300, J37330  
ANSI (brass): J17300, J17330

When ordering, specify whether 196 material is to be used as trim or support

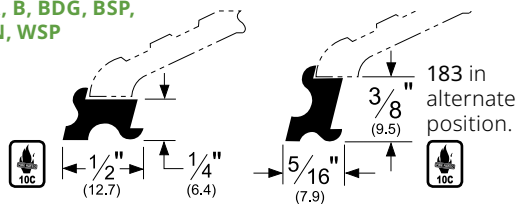


## ELEVATORS

- Elevators allow for custom sizing in offset conditions
- Fasteners are not included and are not required with these shapes when used in conjunction with a threshold

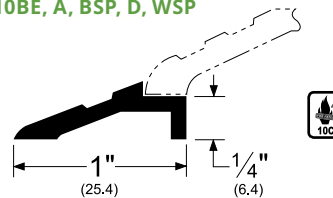
183\_

AVAILABLE FINISHES:  
10BE, A, B, BDG, BSP,  
D, G, SN, WSP



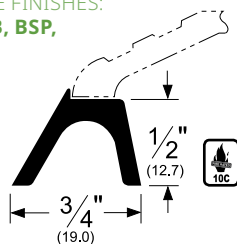
282\_

AVAILABLE FINISHES:  
10BE, A, BSP, D, WSP



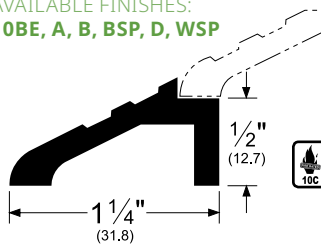
188\_

AVAILABLE FINISHES:  
10BE, A, B, BSP,  
D, WSP



283\_

AVAILABLE FINISHES:  
10BE, A, B, BSP, D, WSP



NOTE: Products shown in this section may not be drawn to scale.

AVAILABLE FINISHES FOR PRODUCTS SHOWN ON THIS PAGE (see General Information section for finish chart)

10BE (Satin Bronze Powder Coated Aluminum) A (Mill Finish Aluminum) B (Mill Finish Extruded Bronze [Brass])  
BDG (Bright Dip Gold Anodized) BSP (Black Suede Powder Coated Aluminum) C (Clear Anodized)  
D (Dark Bronze Anodized) G (Gold Anodized) SN (Satin Nickel Anodized) WSP (White Suede Powder Coated Aluminum)

NOTE: G, SN are available with limited inventory

800-824-3018 | www.pemko.com

Check the web site for the up-to-date catalog

Copyright © 2015-2022, ASSA ABLOY Accessories and Door Controls Group, Inc., an ASSA ABLOY Group company. All rights reserved.  
Reproduction in whole or in part without the express written permission of ASSA ABLOY Accessories and Door Controls Group, Inc. is prohibited.

**PEMKO**  
**ASSA ABLOY**

Experience a safer  
and more open world

# THRESHOLD STOP STRIPS

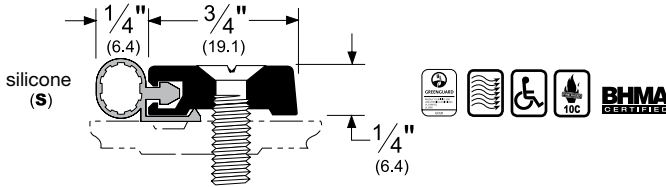
- Use with standard flat top, saddle threshold to provide a door stop and seal at bottom of door
- Stop strips are supplied pre-drilled with #10-24 Phillips flat head machine screws of appropriate length
- These stops will affect the pivot hole location of an assembly

## 1842\_S

AVAILABLE FINISHES: **10BE, A, BSP, D, G, WSP**

REPLACEMENT INSERT: **S3 (BL, W)**

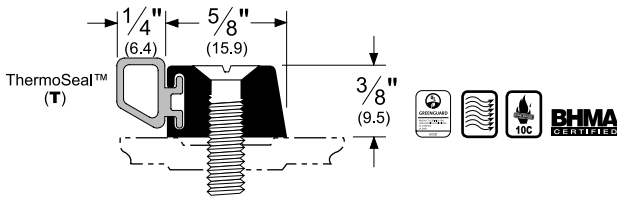
- Allow 1/8" door clearance from top of threshold
- Barrier-free with 1/4" saddle only



## 184\_T

AVAILABLE FINISHES: **10BE, A, B, BSP, D, G, WSP**

REPLACEMENT INSERT: **T5 (BL)**

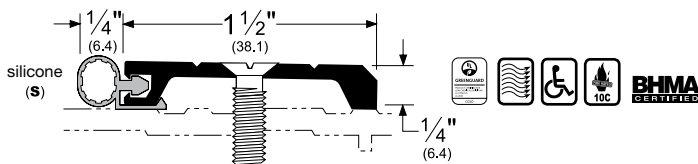


## 290\_SSTOP

AVAILABLE FINISHES: **10BE, A, BSP, D, G, WSP**

REPLACEMENT INSERT: **S3 (BL, W)**

- Allow 1/8" door clearance from top of threshold
- Barrier-free with 1/4" saddle only



Alternate Inserts

**1842\_PK**  
**290\_PKSTOP**

REPLACEMENT INSERT:  
**PK47 (BL, GR)**

Alternate Inserts

**1842\_V**  
**290\_VSTOP**

REPLACEMENT INSERT:  
**EV47 (BL, GR, W)**

Alternate Inserts

**184\_P**

REPLACEMENT INSERT:  
**P2 (BL, GR)**

Alternate Inserts

**184\_V**

REPLACEMENT INSERT:  
**EV41 (BL, GR, W)**

NOTE: Products shown in this section may not be drawn to scale.

AVAILABLE FINISHES FOR PRODUCTS SHOWN ON THIS PAGE (see General Information section for finish chart)  
**10BE** (Satin Bronze Powder Coated Aluminum) **A** (Mill Finish Aluminum) **B** (Mill Finish Extruded Bronze [Brass])  
**BSP** (Black Suede Powder Coated Aluminum) **D** (Dark Bronze Anodized) **G** (Gold Anodized)  
**WSP** (White Suede Powder Coated Aluminum)

NOTE: **G** is available with limited inventory



Experience a safer and more open world

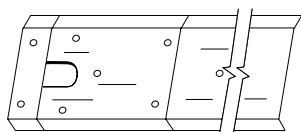
800-824-3018 | www.pemko.com  
Check the web site for the up-to-date catalog

## FLOOR CLOSER THRESHOLDS/COVER PLATE ASSEMBLIES

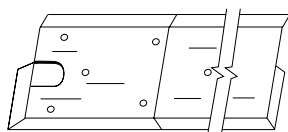
- **TYPE OF ASSEMBLY** – Type 11 or 14 for center hung, Type 13 or 15 for offset hung
- **MATERIALS** – Saddles, floor plates, supports, risers, elevators, and stop strips
- **CLOSER TO BE USED** – Manufacturer and model number
- **NET LENGTH** – Jamb-to-jamb. Assembly Types 11, 13 and 14 are cut with center section  $\frac{1}{2}$ " over net length up to 48" and 1" over net length over 48" to allow for fitting on the job. Please specify "net length", if required. Assembly Type 15 is cut at net length because of factory-cut miters
- **HANDING** – For single doors, specify right or left hand. For pairs of doors, handing is not required
- **SPECIAL FINISHES** – Examples include polished, oxidized and oil rubbed, and PemKote™
- **SPECIAL FASTENERS** – For center section only. Examples include: MSES, FHSL25, and MSES-SS
- **SPECIAL FABRICATION INSTRUCTIONS** – Notching, full miters, etc. Assembly Type 11 is supplied without mitered ends, and assembly Types 13, 14 and 15 are supplied with both ends mitered. Also, when ordering stop strips (shown on page 132), specify door thickness and pivot offset so that the threshold assembly width and pivot dimension can be determined
- **RETURNS AND ALLOWANCES** – Restock fee for "custom" material applies to these products



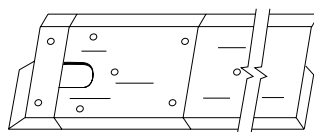
THRESHOLD WIDTH	FASTENER ROWS	THRESHOLD WIDTH	FASTENER ROWS
2" to 7 $\frac{7}{8}$ "	1 Row	19" to 24 $\frac{7}{8}$ "	4 Rows
8" to 12 $\frac{7}{8}$ "	2 Rows	25" to 30 $\frac{7}{8}$ "	5 Rows
13" to 18 $\frac{7}{8}$ "	3 Rows	31" to 36 $\frac{7}{8}$ "	6 Rows



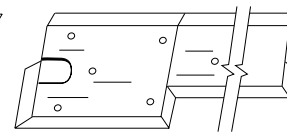
**TYPE 11**  
Center hung



**TYPE 13**  
Offset



**TYPE 14**  
Center hung



**TYPE 15**  
Offset

THRESHOLDS FOR TYPE 11, 13, 14				
SIZE	PRODUCT NUMBER	FINISHES	PRODUCT NUMBER	FINISHES
$\frac{1}{2}$ " x 7"	176_	A, B, D, G		
$\frac{1}{4}$ " x 7"	276_	A, B, D, G		
$\frac{1}{2}$ " x 8"	2548_	A, D, G	254_ x 4_	B
$\frac{1}{4}$ " x 8"	2748_	A, D, G	274_ x 4_	B
$\frac{1}{2}$ " x 8 $\frac{7}{8}$ "	193_ x 2/195_	A, D, G		
* $\frac{3}{4}$ " x 12" x $\frac{1}{4}$ "	257_ x 259_	A, B, D, G		

\* Ramp threshold for  $\frac{1}{2}$ " offset.

Pemko	Rixson
Type 11	Type 1
Type 13	Type 3
Type 14	Type 4
Type 15	Type 5

THRESHOLDS FOR TYPE 15				
SIZE	PRODUCT NUMBER	FINISHES	PRODUCT NUMBER	FINISHES
$\frac{1}{2}$ " x 7" x 4"	176_ x 170_	A, B, D, G		
$\frac{1}{4}$ " x 7" x 4"	276_ x 270_	A, B, D, G		
$\frac{1}{2}$ " x 7" x 5"	176_ x 171_	A, B, D, G		
$\frac{1}{4}$ " x 7" x 5"	276_ x 271_	A, B, D, G		
$\frac{1}{2}$ " x 8" x 4"	2548_ x 170_	A, D, G	254 x 4_ x 170_	B
$\frac{1}{4}$ " x 8" x 4"	2748_ x 270_	A, D, G	274 x 4_ x 270_	B
$\frac{1}{2}$ " x 8" x 5"	2548_ x 171_	A, D, G	254 x 4_ x 171_	B
$\frac{1}{4}$ " x 8" x 5"	2748_ x 271_	A, D, G	274 x 4_ x 271_	B

NOTE: Products shown in this section may not be drawn to scale.

AVAILABLE FINISHES FOR PRODUCTS SHOWN ON THIS PAGE (see General Information section for finish chart)

**A** (Mill Finish Aluminum) **B** (Mill Finish Extruded Bronze [Brass]) **D** (Dark Bronze Anodized) **G** (Gold Anodized)

NOTE: **G** is available with limited inventory

800-824-3018 | www.pemko.com

Check the web site for the up-to-date catalog

Copyright © 2015-2022, ASSA ABLOY Accessories and Door Controls Group, Inc., an ASSA ABLOY Group company. All rights reserved. Reproduction in whole or in part without the express written permission of ASSA ABLOY Accessories and Door Controls Group, Inc. is prohibited.

**PEMKO**  
**ASSA ABLOY**

Experience a safer  
and more open world

## ANSI/BHMA A156.21 THRESHOLDS - CROSS REFERENCE

- Following a profile number, “**A**” signifies the base metal as aluminum and will include any anodized finish
- Following a profile number, “**B**” signifies the base metal as architectural bronze [brass]
- Consult [www.buildershardware.com](http://www.buildershardware.com) for the most up-to-date BHMA Certified Product Directory (CPD) information

ANSI No.	Pemko Item#
J12100	170B, 171B, 172B, 176B, 198B, 254x4B, 254x5B, 255x5B, 270B, 271B, 272B, 274x4B, 276B
J12130	170B, 171B, 172B, 176B, 254x4B, 254x5B, 255x5B, 270B, 271B, 272B, 274x4B, 276B
J12134	236B, 2364B
J12139	252x2BFG, 252x3BFG, 253x3BFG, 253x4BFG, 254x4BFG, 254x5BFG, 255x5BFG, 273x3BFG, 273x4BFG, 274x4BFG
J12190	252x2BFG, 252x3BFG, 253x3BFG, 253x4BFG, 254x4BFG, 254x5BFG, 255x5BFG, 273x3BFG, 273x4BFG, 274x4BFG
J12193	252x2BFG, 252x3BFG, 253x3BFG, 253x4BFG, 254x4BFG, 254x5BFG, 273x3BFG, 273x4BFG, 274x4BFG
J12300	151B, 173B, 175B
J12330	151B, 173B, 175B
J13100	227B, 252B, 253B, 254B, 255B, 273B, 274B
J13130	227B, 252B, 253B, 254B, 255B, 273B, 274B
J13133	273B, 274B
J14170	101B, 108B, 114B
J15100	177B, 181B, 2005B, 252x226B, 253x226B, 254x226B, 255x226B
J15130	2005B
J15190	252x226BFG, 253x226BFG, 254x226BFG, 255x226BFG
J15300	159B
J16100	177BT, 181BT, 2005B, 2005BT, 252x226BT, 253x226BT, 254x226BT, 255x226BT
J16130	2005B
J16300	159BT
J17300	174B, 195B, 196B, 200B
J17330	174B, 195B, 196B, 200B
J18130	257B, 259B, 275x259B
J19100	176B, 254x4B, 257B/259B, 274x4B, 276B
J19130	176B, 254x4B, 257B/259B, 274x4B, 276B
J19135	176B, 176B, 176Bx170B, 176Bx171B, 254x4B, 254x4B, 254x4Bx170B, 254x4Bx171B, 257B/259B, 257B/259B, 274x4B, 274x4B, 274x4Bx270B, 274x4Bx271B, 276B, 276B, 276Bx270B, 276Bx271B
J19150	176B, 176B, 176Bx170B, 176Bx171B, 254x4B, 254x4Bx170B, 254x4Bx171B, 257B/259B, 274x4B, 274x4B, 274x4Bx270B, 274x4Bx271B, 276B, 276B, 276Bx270B, 276Bx271B
J31100	206AV, 207AV
J32100	156A, 1571A, 157A, 158A, 166A, 169A, 1700A, 170A, 1715A, 171A, 172A, 176A, 182A, 198A, 2548A, 2549A, 2550A, 2555x253A, 256x6A, 256x6A, 270A, 2715A, 2716A, 271A, 2727A, 272A, 2746x6A, 2748A, 2749A, 2750A, 276A

## ANSI/BHMA A156.21 THRESHOLDS - CROSS REFERENCE (Cont.)

ANSI No.	Pemko Item#
J32130	158A, 166A, 169A, 1700A, 1701A, 1715A, 1716A, 1716A, 171A, 172A, 176A, 2548A, 2549A, 2550A, 2555x253A, 256x6A, 256x6A, 270A, 2715A, 2716A, 271A, 2727A, 272A, 2746x6A, 2748A, 2749A, 2750A, 276A
J32134	236A, 2364A, 2366A
J32138	158A, 2727A
J32139	252x2AFG, 252x3AFG, 253x3AFG, 253x4AFG, 253x6AFG, 254x4AFG, 254x5AFG, 2555x253AFG, 255x5AFG, 256x6AFG, 273x3AFG, 273x4AFG, 2746x6AFG, 274x4AFG
J32140	236A
J32180	157A, 1571A, 158A, 182A, 2727A
J32190	252x2AFG, 252x3AFG, 253x3AFG, 253x4AFG, 253x6AFG, 254x4AFG, 254x5AFG, 2555x253AFG, 255x5AFG, 256x6AFG, 273x3AFG, 273x4AFG, 2746x6AFG, 274x4AFG
J32193	252x2AFG, 252x3AFG, 253x3AFG, 253x4AFG, 253x6AFG, 254x4AFG, 254x5AFG, 2555x253AFG, 255x5AFG, 256x6AFG, 273x3AFG, 273x4AFG, 2746x6AFG, 274x4AFG
J32200	1715AK, 2715AK, 2716AK
J32230	1715AK, 1716AK, 2715AK, 2716AK
J32300	151A, 1546A, 1547A, 154A, 173A, 174A, 175A
J32330	151A, 1546A, 1547A, 154A, 173A, 174A, 175A
J33100	157A, 1571A, 168A, 182A, 1875A, 1877A, 227A, 229A, 252A, 253A, 254A, 2555A, 255A, 2565A, 256A, 273A, 2746A, 274A, 278A, 279A
J33130	168A, 227A, 229A, 252A, 253A, 254A, 255A, 2565A, 256A, 273A, 2746A, 274A, 278A, 279A
J33133	273A, 2746A, 274A, 278A, 279A
J33180	1875A, 1877A
J34170	101A, 107A, 114A, 121A, 123A
J35100	177A, 179A, 181A, 2005A, 2006A, 2007A, 2008A, 252x226A, 253x226A, 254x226A, 255x226A, 2705A, 277A
J35130	2005A, 206A, 2007A, 2008A, 2705A
J35190	252x226AFG, 253x226AFG, 254x226AFG, 255x226AFG
J35300	159A, 185A, 1855A
J36100	177AT, 179AT, 181AT, 2005AT, 2006AT, 2006STC, 2007AT, 2007STC, 2008APK, 2009APK, 2010APK, 252x226A, 252x266A, 253x226A, 254x226AT, 255x226AT, 2705A, 277AR, 277AS
J36130	2005A, 2005AT, 2006AT, 2006STC, 2007AT, 2007STC, 2008APK, 2009APK, 2010APK, 2705A, 273x224AFG, 273x292AFG, 2746x292AFG, 274x224AFG, 274x292AFG, 278x224AFG, 278x292AFG, 279x224AFG, 279x292AFG
J36139	273x224AFG, 273x292AFG, 2746x292AFG, 274x224AFG, 274x292AFG, 278x224AFG, 278x292AFG, 279x224AFG, 279x292AFG
J36190	252x226AFGT, 253x226AFG, 253x226BFG, 254x226AFG, 255x226AFG, 273x224AFG, 273x292AFG, 2746x292AFG, 274x224AFG, 274x292AFG, 278x224AFG, 278x292AFG, 279x224AFG, 279x292AFG
J36193	273x224AFG, 273x292AFG, 2746x292AFG, 274x224AFG, 274x292AFG, 278x224AFG, 278x292AFG, 279x224AFG, 279x292AFG
J36200	2705AK
J36230	2705AK

## ANSI/BHMA A156.21 THRESHOLDS - CROSS REFERENCE (Cont.)

ANSI No.	Pemko Item#
J36300	159AT, 185AT, 1855AT
J37100	190A, 191A, 192A, 193A, 228A, 2266A, 2286A, 19125A, 19325A
J37130	190A, 191A, 192A, 193A, 228A, 2266A, 2286A, 19125A, 19325A
J37200	190AK, 191AK, 192AK, 193AK, 19125AK
J37230	190AK, 191AK, 192AK, 193AK, 19125AK
J37300	14/1A, 18/1A, 194A, 1951A, 195A, 196A, 200A
J37330	14/1A, 174C, 18/1A, 1951A, 195A, 196A, 200A
J37400	14/1A, 18/1A
J37430	14/1A, 18/1A
J38130	257A, 259A, 257x259A, RAMP10A, RAMP11A, RAMP12A, RAMP1A, RAMP2A, RAMP3A, RAMP4A, RAMP5A, RAMP6A, RAMP7A, RAMP8A, RAMP9A, WING10, WING16, WINGExT
J38230	257AK, 259AK, 257x259AK, 257x259BK, RAMP10AK, RAMP11AK, RAMP12AK, RAMP1AK, RAMP2AK, RAMP3AK, RAMP4AK, RAMP5AK, RAMP6AK, RAMP7AK, RAMP8AK, RAMP9AK, WING10K, WING16K, WINGExTK
J39100	176A, 193Ax2/195A, 2548A, 257Ax259A, 2748A, 276A, RAMP1A
J39130	176A, 193Ax2/195A, 2548A, 257Ax259A, 2748A, 276A, RAMP1A
J39135	176A, 176Ax170A, 176Ax171A, 2548A, 2548Ax170A, 2548Ax171A, 257Ax259A, 2748A, 2748Ax270A, 2748Ax271A, 276A, 276Ax270A, 276Ax271A, RAMP1A
J39150	176A, 176Ax170A, 176Ax171A, 2548A, 2548Ax170A, 2548Ax171A, 257Ax259A, 2748A, 2748Ax270A, 2748Ax271A, 276A, 276Ax270A, 276Ax271A, RAMP1A
J52300	154SS, 158SS, 175SS
J52330	154SS, 175SS, 252x2SSFG, 252x3SSFG, 252x4SSFG, 253x3SSFG, 253x4SSFG, 254x4SSFG
J52338	158SS
J52339	252x2SSFG, 252x3SSFG, 252x4SSFG, 253x3SSFG, 253x4SSFG, 254x4SSFG
J52380	158SS
J52390	252x2SSFG, 252x3SSFG, 252x4SSFG, 253x3SSFG, 253x4SSFG, 254x4SSFG
J52393	252x2SSFG, 252x3SSFG, 252x4SSFG, 253x3SSFG, 253x4SSFG, 254x4SSFG
J53300	252SS, 253SS, 254SS
J53330	252SS, 253SS, 254SS
J53300	252SS, 253SS, 254SS
J53330	252SS, 253SS, 254SS



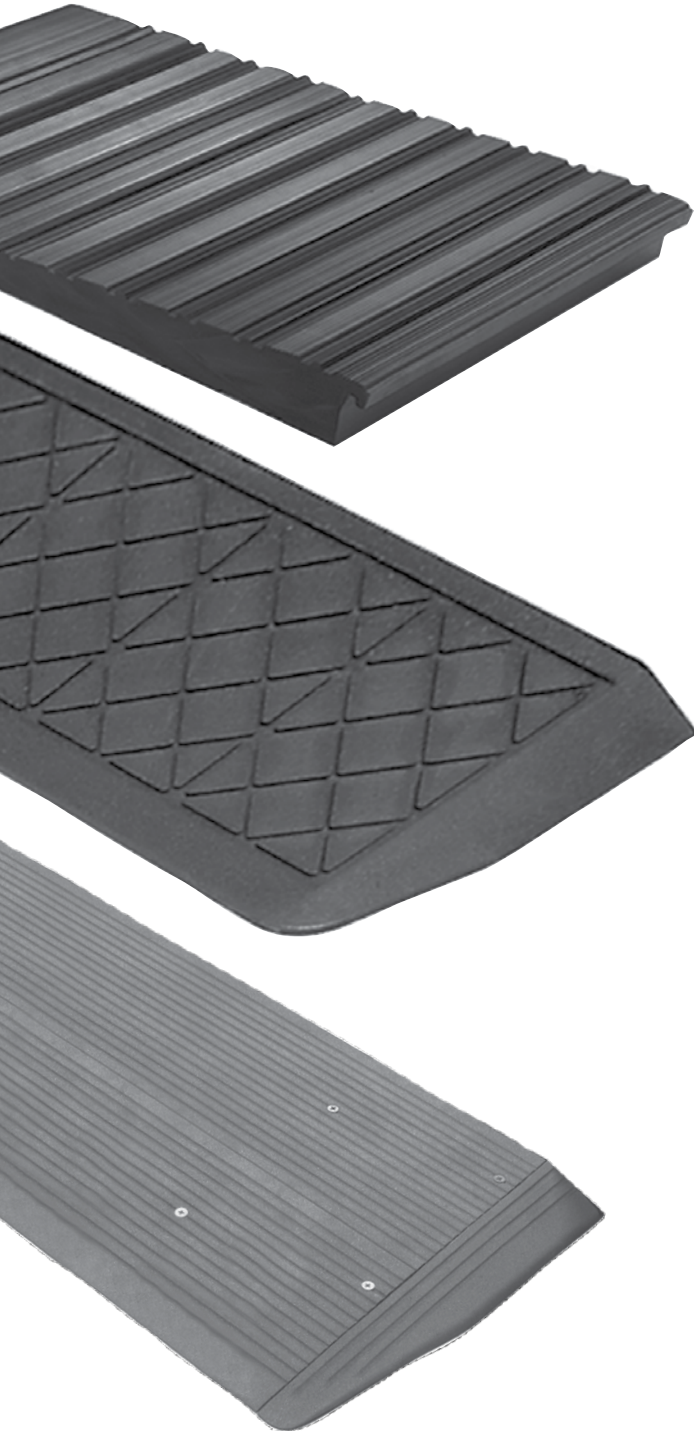
# PEMKO MODULAR RAMPS

## CONTENTS:

Ramp Ordering Information.....	138
Modular Ramp Threshold Assemblies - Flush Applications.....	139
Modular Ramp Threshold Assemblies - Offset (7" Top Plate).....	140
Modular Ramp Threshold Assemblies - Offset (3½" Top Plate).....	141
Modular Ramp Threshold Components.....	142
Modular Ramp Threshold Assemblies - Variables.....	143
Risers for Modular Ramps.....	143
Miter Returns For All Modular Ramp Thresholds.....	144
Barrier-Free Ramp Thresholds.....	145
Fire Retardant and Styrene Butadiene Rubber Ramp Thresholds.....	146
Rubber Ramp Miter Returns.....	147
Recycled Rubber Ramp Assembly.....	147

## INDEX:

<u>PRODUCT</u>	<u>PAGE</u>	<u>PRODUCT</u>	<u>PAGE</u>	<u>PRODUCT</u>	<u>PAGE</u>
257.....	145	R1OSSMR.....	141	RAMP 6.....	142
257x259.....	145	R2.25F.....	139	RAMP 7.....	143
259.....	145	R2.25FMR.....	139	RAMP 8.....	142
R1.5F.....	139	R2F.....	139	RAMP 8.....	143
R1.5FMR.....	139	R2FMR.....	139	RAMP 9.....	142
R1.5OS.....	140	R2OS.....	140	RAMP 10.....	142
R1.5OSMR.....	140	R2OSMR.....	140	RAMP 11.....	142
R1.5OSS.....	141	R2OSS.....	141	RAMP 12.....	142
R1.5OSSMR.....	141	R2OSSMR.....	141	RAMP 13.....	143
R1.25F.....	139	R.5F.....	139	RAMP 14.....	143
R1.25FMR.....	139	R.5FMR.....	139	RR1.....	146
R1.25OS.....	140	R.5OS.....	140	RR1.25FMR.....	147
R1.25OSMR.....	140	R.5OSMR.....	140	RR2.....	146
R1.25OSS.....	141	R.5OSS.....	141	RR12_H.....	147
R1.25OSSMR.....	141	R.5OSSMR.....	141	RVAR1/A.....	143
R1.75F.....	139	R.75F.....	139	RVAR1/AK.....	143
R1.75FMR.....	139	R.75FMR.....	139	RVARIOSS.....	143
R1.75OS.....	140	R.75OS.....	140	SBR1F.....	146
R1.75OSMR.....	140	R.75OSMR.....	140	SBR1FMR.....	146
R1.75OSS.....	141	R.75OSS.....	141	SBR.5F.....	146
R1.75OSSMR.....	141	R.75OSSMR.....	141	SBR.5FMR.....	146
R1F.....	139	RAMP 1.....	142	WING 10_H.....	144
R1FMR.....	139	RAMP 2.....	143	WING 16_H.....	144
R1OS.....	140	RAMP 3.....	142	WING EXT_H.....	144
R1OSMR.....	140	RAMP 4.....	142		
R1OSS.....	141	RAMP 5.....	142		



800-824-3018 | [www.pemko.com](http://www.pemko.com)  
Check the web site for the up-to-date catalog

Copyright © 2015-2022, ASSA ABLOY Accessories and Door Controls Group, Inc., an ASSA ABLOY Group company. All rights reserved.  
Reproduction in whole or in part without the express written permission of ASSA ABLOY Accessories and Door Controls Group, Inc. is prohibited.

**PEMKO**  
**ASSA ABLOY**

Experience a safer  
and more open world

# RAMP ORDERING INFORMATION

## Flush Applications

Example: R 1 F MR AK

Product	Floor Offset Height	Application	Option	Finish
R = Ramp	.5 = 1/2" .75 = 3/4" 1 = 1" 1.25 = 1-1/4" 1.5 = 1-1/2" 1.75 = 1-3/4" 2 = 2" 2.25 = 2-1/4"	F = Flushes out to floor offset	MR = Miter Return (1 pair)	A = Aluminum (mill finish) AK = PemKote™ (skid-resistant surface)

## Offset Applications - 7" Top Plate

Example: R 1 OS MR AK

Product	Floor Offset Height	Application	Option	Finish
R = Ramp	.5 = 1/2" .75 = 3/4" 1 = 1" 1.25 = 1-1/4" 1.5 = 1-1/2" 1.75 = 1-3/4" 2 = 2"	OS = Up & overoffset w/ 7" top plate	MR = Miter Return (1 pair)	A = Aluminum (mill finish) AK = PemKote™ (skid-resistant surface)

## Offset Applications - 3 1/2" Top Plate

Example: R 2 OSS MR AK

Product	Floor Offset Height	Application	Option	Finish
R = Ramp	.5 = 1/2" .75 = 3/4" 1 = 1" 1.25 = 1-1/4" 1.5 = 1-1/2" 1.75 = 1-3/4" 2 = 2"	OSS = Up & over offset w/ 3-1/2" top plate	MR = Miter Return (1 pair)	A = Aluminum (mill finish) AK = PemKote™ (skid-resistant surface)



Experience a safer and more open world

800-824-3018 | [www.pemko.com](http://www.pemko.com)  
Check the web site for the up-to-date catalog

Copyright © 2015-2022, ASSA ABLOY Accessories and Door Controls Group, Inc., an ASSA ABLOY Group company. All rights reserved. Reproduction in whole or in part without the express written permission of ASSA ABLOY Accessories and Door Controls Group, Inc. is prohibited.

# MODULAR RAMP THRESHOLD ASSEMBLIES

- Assemblies accommodate 1/2" to 2 1/4" floor offsets in meeting the 1:12 slope requirements of the "Americans with Disabilities Act". Even higher offsets can be accommodated by using the risers, **RAMP13\_** and **RAMP14\_**
- "MR" in a product number denotes that one-pair of miter returns (and extenders, if applicable) is included. Otherwise, we recommend filling and feathering the threshold ends with grout. Do not leave threshold ends open
- Miter Returns are available for offsets up to 2 1/4"

- Assemblies are supplied with #10 stainless steel wood screws. Stainless steel machine screws and expansion shields are available at an extra cost
- Assemblies allow for custom fabrication; please consult Pemko Customer Service
- Assemblies are provided NET length
- Miter returns will add 2 pieces to total components; miter returns with extenders will add 4 pieces to total components


## Flush Applications

### 1/2" Floor Offset



R.5F\_  
R.5FMR\_ \*\*  
AVAILABLE FINISHES: **10BE, A, AK, BSP, WSP**  
ASSEMBLY LENGTH: 6 1/8"  
# OF COMPONENTS: 1



PemKote™ is highly recommended for all threshold assemblies, especially exterior conditions where moisture may be present.  Only with PemKote™ Non-Slip Coating

### 3/4" Floor Offset



R.75F\_  
R.75FMR\_ \*\*  
AVAILABLE FINISHES: **10BE, A, AK, BSP, WSP**  
ASSEMBLY LENGTH: 9 1/4"  
# OF COMPONENTS: 2



### 1" Floor Offset



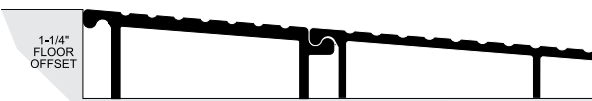
R1F\_  
R1FMR\_ \*\*  
AVAILABLE FINISHES: **10BE, A, AK, BSP, WSP**  
ASSEMBLY LENGTH: 12 3/8"  
# OF COMPONENTS: 2



### 1 1/4" Floor Offset



R1.25F\_  
R1.25FMR\_ \*\*  
AVAILABLE FINISHES: **10BE, A, AK, BSP, WSP**  
ASSEMBLY LENGTH: 15 1/2"  
# OF COMPONENTS: 3



### 1 1/2" Floor Offset



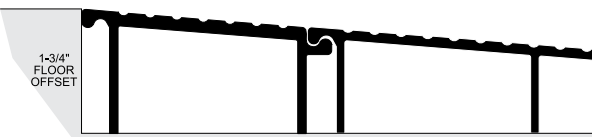
R1.5F\_  
R1.5FMR\_ \*\*  
AVAILABLE FINISHES: **10BE, A, AK, BSP, WSP**  
ASSEMBLY LENGTH: 18 3/8"  
# OF COMPONENTS: 3



### 1 3/4" Floor Offset



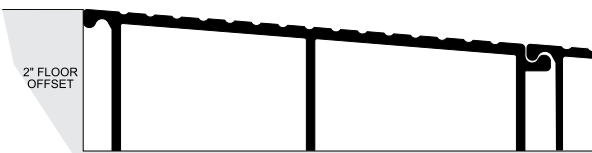
R1.75F\_  
R1.75FMR\_ \*\*  
AVAILABLE FINISHES: **10BE, A, AK, BSP, WSP**  
ASSEMBLY LENGTH: 21 3/4"  
# OF COMPONENTS: 4



### 2" Floor Offset



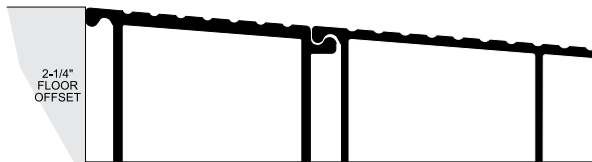
R2F\_  
R2FMR\_ \*\*  
AVAILABLE FINISHES: **10BE, A, AK, BSP, WSP**  
ASSEMBLY LENGTH: 24 7/8"  
# OF COMPONENTS: 4



### 2 1/4" Floor Offset



R2.25F\_  
R2.25FMR\_ \*\*  
AVAILABLE FINISHES: **10BE, A, AK, BSP, WSP**  
ASSEMBLY LENGTH: 28"  
# OF COMPONENTS: 5



Complete assembly drawings available online

NOTE: Greater offset may be accomplished by using Pemko risers.

\*\*Miter Returns are not ADA Compliant

AVAILABLE FINISHES FOR PRODUCTS SHOWN ON THIS PAGE (see General Information section for finish chart)  
**10BE** (Satin Bronze Powder Coated Aluminum) **A** (Mill Finish Aluminum) **AK** (Mill Finish Aluminum with PemKote™ Non-Slip Coating) **BSP** (Black Suede Powder Coated Aluminum) **WSP** (White Suede Powder Coated Aluminum)

800-824-3018 | www.pemko.com

Check the web site for the up-to-date catalog

Copyright © 2015-2022, ASSA ABLOY Accessories and Door Controls Group, Inc., an ASSA ABLOY Group company. All rights reserved. Reproduction in whole or in part without the express written permission of ASSA ABLOY Accessories and Door Controls Group, Inc. is prohibited.

**PEMKO**  
**ASSA ABLOY**

Experience a safer  
and more open world

# OFFSET APPLICATIONS (7" TOP PLATE)

## 1/2" Floor Offset

R.5OS\_ AVAILABLE FINISHES: **10BE, A, AK, BSP, WSP**  
 R.5OSMR\_ \*\* ASSEMBLY LENGTH\*: 16 1/4"  
 # OF COMPONENTS: 3



## 3/4" Floor Offset

R.75OS\_ AVAILABLE FINISHES: **10BE, A, AK, BSP, WSP**  
 R.75OSMR\_ \*\* ASSEMBLY LENGTH\*: 19 3/8"  
 # OF COMPONENTS: 3



## 1" Floor Offset

R1OS\_ AVAILABLE FINISHES: **10BE, A, AK, BSP, WSP**  
 R1OSMR\_ \*\* ASSEMBLY LENGTH\*: 22 1/2"  
 # OF COMPONENTS: 4



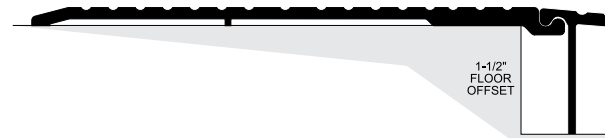
## 1 1/4" Floor Offset

R1.25OS\_ AVAILABLE FINISHES: **10BE, A, AK, BSP, WSP**  
 R1.25OSMR\_ \*\* ASSEMBLY LENGTH\*: 25 5/8"  
 # OF COMPONENTS: 4



## 1 1/2" Floor Offset

R1.5OS\_ AVAILABLE FINISHES: **10BE, A, AK, BSP, WSP**  
 R1.5OSMR\_ \*\* ASSEMBLY LENGTH\*: 28 3/4"  
 # OF COMPONENTS: 5



## 1 3/4" Floor Offset

R1.75OS\_ AVAILABLE FINISHES: **10BE, A, AK, BSP, WSP**  
 R1.75OSMR\_ \*\* ASSEMBLY LENGTH\*: 31 7/8"  
 # OF COMPONENTS: 5



## 2" Floor Offset

R2OS\_ AVAILABLE FINISHES: **10BE, A, AK, BSP, WSP**  
 R2OSMR\_ \*\* ASSEMBLY LENGTH\*: 35"  
 # OF COMPONENTS: 6



Complete assembly drawings available online.

NOTE: Greater offset may be accomplished by using Pemko risers.

\*Assembly length includes 7" top plate  
 \*\*Miter Returns are not ADA Compliant



Assembly Shown: **R.5OS**



AVAILABLE FINISHES FOR PRODUCTS SHOWN ON THIS PAGE (see General Information section for finish chart)  
**10BE** (Satin Bronze Powder Coated Aluminum) **A** (Mill Finish Aluminum) **AK** (Mill Finish Aluminum with PemKote™ Non-Slip Coating) **BSP** (Black Suede Powder Coated Aluminum) **WSP** (White Suede Powder Coated Aluminum)

800-824-3018 | www.pemko.com  
 Check the web site for the up-to-date catalog

## SHORT OFFSET APPLICATIONS (3 1/2" TOP PLATE)

### 1/2" Floor Offset

R.5OSS\_  
R.5OSSMR\_ \*\*



AVAILABLE FINISHES: **10BE, A, AK, BSP, WSP**  
ASSEMBLY LENGTH\*: 12 3/4"  
# OF COMPONENTS: 3



### 3/4" Floor Offset

R.75OSS\_  
R.75OSSMR\_ \*\*



AVAILABLE FINISHES: **10BE, A, AK, BSP, WSP**  
ASSEMBLY LENGTH\*: 15 7/8"  
# OF COMPONENTS: 3



### 1" Floor Offset

R1OSS\_  
R1OSSMR\_ \*\*



AVAILABLE FINISHES: **10BE, A, AK, BSP, WSP**  
ASSEMBLY LENGTH\*: 19"  
# OF COMPONENTS: 4



### 1 1/4" Floor Offset

R1.25OSS\_  
R1.25OSSMR\_ \*\*



AVAILABLE FINISHES: **10BE, A, AK, BSP, WSP**  
ASSEMBLY LENGTH\*: 22 1/8"  
# OF COMPONENTS: 4



### 1 1/2" Floor Offset

R1.5OSS\_  
R1.5OSSMR\_ \*\*



AVAILABLE FINISHES: **10BE, A, AK, BSP, WSP**  
ASSEMBLY LENGTH\*: 25 1/4"  
# OF COMPONENTS: 5



### 1 3/4" Floor Offset

R1.75OSS\_  
R1.75OSSMR\_ \*\*



AVAILABLE FINISHES: **10BE, A, AK, BSP, WSP**  
ASSEMBLY LENGTH\*: 28 3/8"  
# OF COMPONENTS: 5

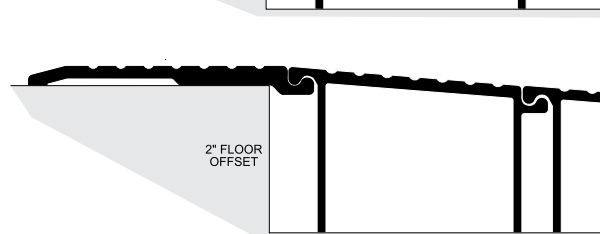


### 2" Floor Offset

R2OSS\_  
R2OSSMR\_ \*\*



AVAILABLE FINISHES: **10BE, A, AK, BSP, WSP**  
ASSEMBLY LENGTH\*: 31 1/2"  
# OF COMPONENTS: 6

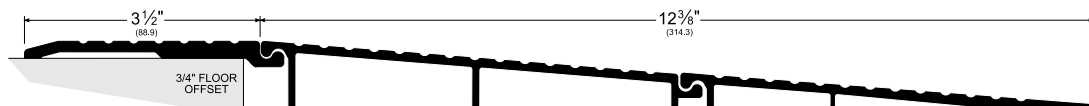


Complete assembly drawings available online.

NOTE: Greater offset may be accomplished by using Pemko risers.

\*Assembly length includes 3 1/2" top plate

\*\*Miter Returns are not ADA Compliant



Assembly Shown: **R.75OSS**

AVAILABLE FINISHES FOR PRODUCTS SHOWN ON THIS PAGE (see General Information section for finish chart)

**10BE** (Satin Bronze Powder Coated Aluminum) **A** (Mill Finish Aluminum)

**AK** (Mill Finish Aluminum with PemKote™ Non-Slip Coating) **BSP** (Black Suede Powder Coated Aluminum)

**WSP** (White Suede Powder Coated Aluminum)

800-824-3018 | www.pemko.com




Check the web site for the up-to-date catalog

Copyright © 2015-2022, ASSA ABLOY Accessories and Door Controls Group, Inc., an ASSA ABLOY Group company. All rights reserved. Reproduction in whole or in part without the express written permission of ASSA ABLOY Accessories and Door Controls Group, Inc. is prohibited.

**PEMKO**  
**ASSA ABLOY**

Experience a safer  
and more open world

# MODULAR RAMP THRESHOLD COMPONENTS

- Components are generally sold as part of assemblies
- Ramp Assemblies consist of interlocking components, eliminating the need to weld joints. Interlocking ball-joint design allows each component to flex and conform to uneven surfaces
- All assemblies carry the following labels:   

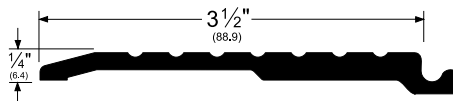
• PemKote™ is highly recommended for all threshold assemblies, especially exterior conditions where moisture may be present

NOTE: The following pages are for component identification only. Do not order from these pages. Order only complete assemblies from pages 140 to 142

## TOP PLATES

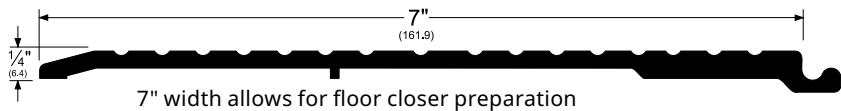
### RAMP8\_

Short top plate  
AVAILABLE FINISHES: **10BE, A, AK, BSP, WSP**

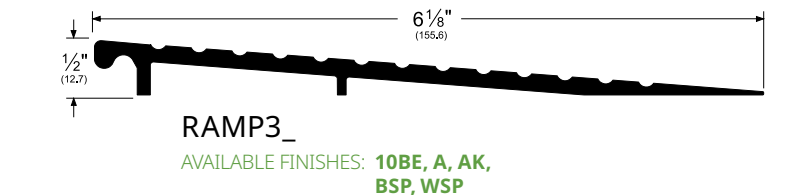
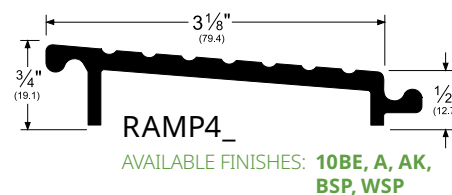
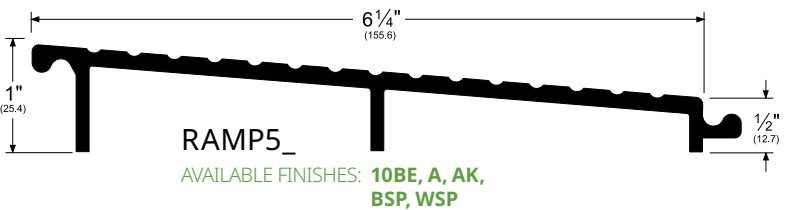
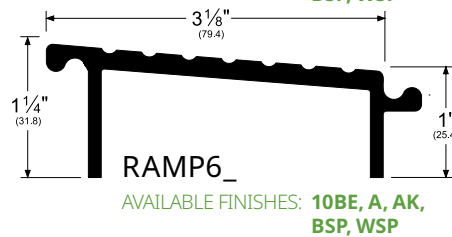
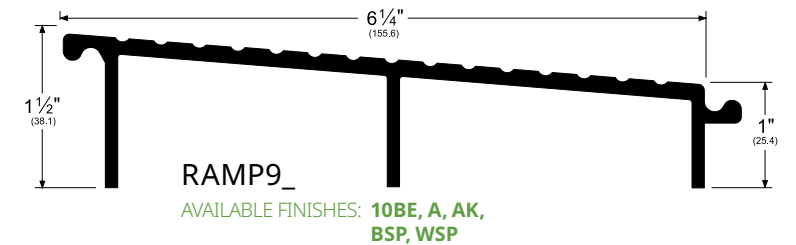
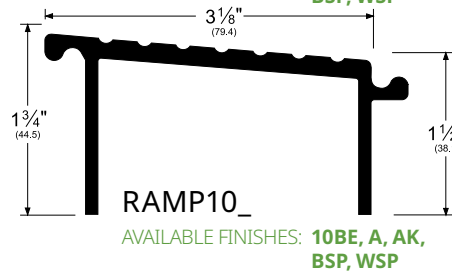
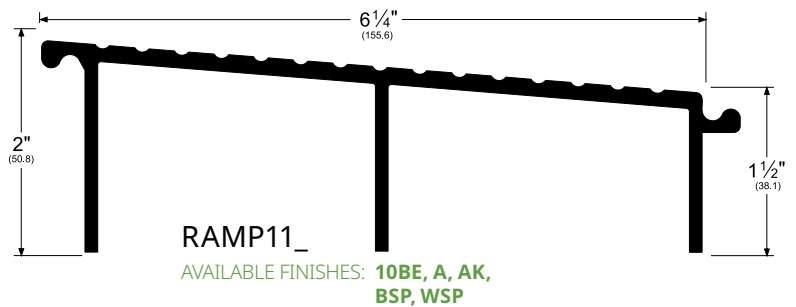
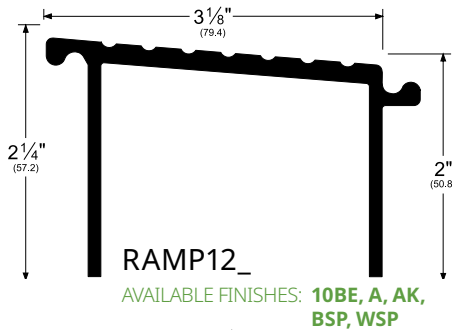


### RAMP1\_

Top plate  
AVAILABLE FINISHES: **10BE, A, AK, BSP, WSP**



## BRIDGES



NOTE: Products shown in this section are not drawn to scale.

AVAILABLE FINISHES FOR PRODUCTS SHOWN ON THIS PAGE (see General Information section for finish chart)  
**10BE** (Satin Bronze Powder Coated Aluminum) **A** (Mill Finish Aluminum) **AK** (Mill Finish Aluminum with PemKote™ Non-Slip Coating) **BSP** (Black Suede Powder Coated Aluminum) **WSP** (White Suede Powder Coated Aluminum)



Experience a safer and more open world

800-824-3018 | www.pemko.com  
Check the web site for the up-to-date catalog

Copyright © 2015-2022, ASSA ABLOY Accessories and Door Controls Group, Inc., an ASSA ABLOY Group company. All rights reserved. Reproduction in whole or in part without the express written permission of ASSA ABLOY Accessories and Door Controls Group, Inc. is prohibited.

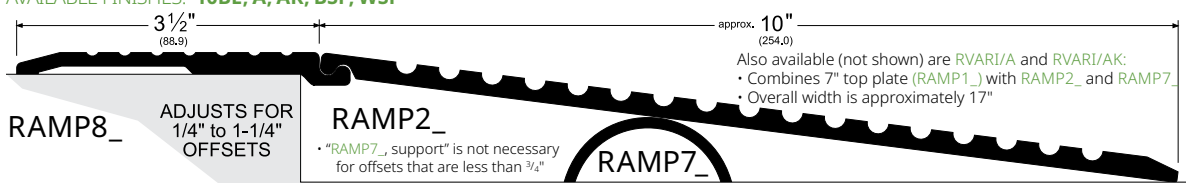
## MODULAR RAMP THRESHOLD ASSEMBLIES - VARIABLES

- Use a "Variable" component to accommodate offsets from 1/2" to 1 1/4". These meet the 1:8 maximum slope allowance (ADA) for existing buildings. For new construction, this assembly is only ADA compliant in certain applications as outlined by the current ADA standard
- May require a variance from some state building codes, even though ADA compliant
- Ideal for use in cross traffic corridors where a minimal ramp projection may be required and a steeper slope may be allowed. Supplied with #10 stainless steel sheet metal screws. Stainless steel machine screws and expansion shields are available at an extra cost
- Miter returns are not available due to the variable angle of this ramp. Please fill and feather the threshold ends. Do not leave threshold ends open
- This variable ramp is supplied un-drilled from Pemko. Due to the variance in the angle, it must be drilled in the field. For proper installation, it requires the **RAMP7\_** to be placed under **RAMP2\_** after the assembly is in place, then must be match drilled and anchored through both components
- PemKote™ is highly recommended for all ramp threshold assemblies especially exterior conditions where moisture may be present
- In addition to ADA compliance, outlined previously, all assemblies carry the following labels:



### RVARIOSS\_

AVAILABLE FINISHES: **10BE, A, AK, BSP, WSP**

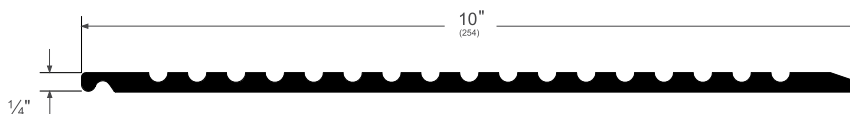


## VARIABLE RAMP COMPONENTS

### RAMP2\_

variable

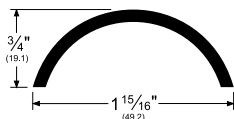
AVAILABLE FINISHES: **10BE, A, AK, BSP, WSP**



### RAMP7\_

support for variable

AVAILABLE FINISHES: **A**

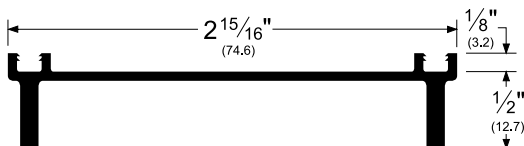


## RISERS FOR MODULAR RAMPS

- Risers easily attach to the legs of Pemko's Modular Ramp Systems. Each adds 1/2" in height to accommodate offsets greater than 2 1/4"
- Contact Pemko Customer Service for information on stacking risers to reach desired height

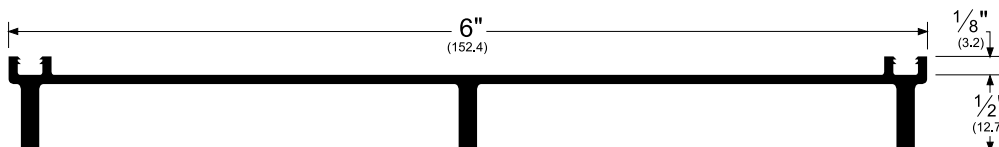
### RAMP13\_

AVAILABLE FINISHES: **A**



### RAMP14\_

AVAILABLE FINISHES: **A**



NOTE: Products shown in this section are not drawn to scale.

AVAILABLE FINISHES FOR PRODUCTS SHOWN ON THIS PAGE (see General Information section for finish chart)

**10BE** (Satin Bronze Powder Coated Aluminum) **A** (Mill Finish Aluminum) **AK** (Mill Finish Aluminum with PemKote™ Non-Slip Coating) **BSP** (Black Suede Powder Coated Aluminum) **WSP** (White Suede Powder Coated Aluminum)

800-824-3018 | www.pemko.com

Check the web site for the up-to-date catalog

Copyright © 2015-2022, ASSA ABLOY Accessories and Door Controls Group, Inc., an ASSA ABLOY Group company. All rights reserved. Reproduction in whole or in part without the express written permission of ASSA ABLOY Accessories and Door Controls Group, Inc. is prohibited.

**PEMKO**  
**ASSA ABLOY**

Experience a safer  
and more open world



# MITER RETURNS FOR ALL MODULAR RAMP THRESHOLDS

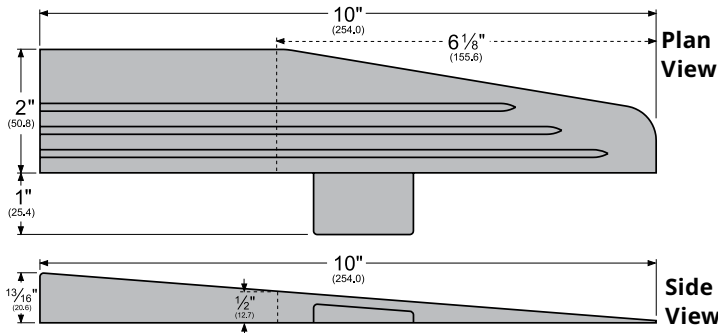
- Cast aluminum “wings” fit into end of modular ramp threshold assembly and are fastened to ramp mid sections with self-tapping machine screws
- Neat, compact, and tight-fitting design replaces former mitering methods
- Miter Returns are match-drilled with each assembly
- Miter Returns are not “ADA” compliant
- Miter Returns are handed from the low end and are determined by which side of the ramp it fits into



## WING10\_H\_

AVAILABLE FINISHES: **A, AK**

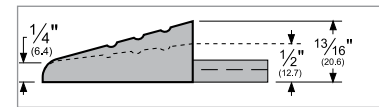
- WING10 can be trimmed to fit ramp assembly (dotted lines show cut down for use with R.5FMR\_)



## WING10RH\_

(right-hand shown)

**End View**

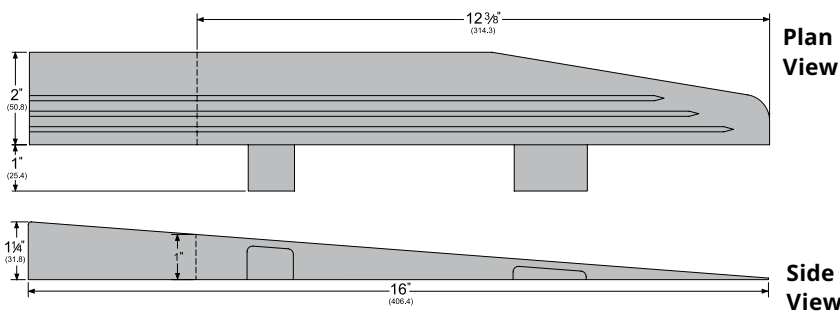


View from high-end

## WING16\_H\_

AVAILABLE FINISHES: **A, AK**

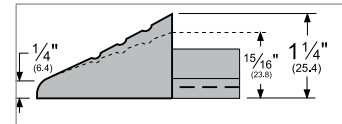
- WING16 can be trimmed to fit ramp assembly (dotted lines show cut down for use with R1FMR\_)



## WING16RH\_

(right-hand shown)

**End View**

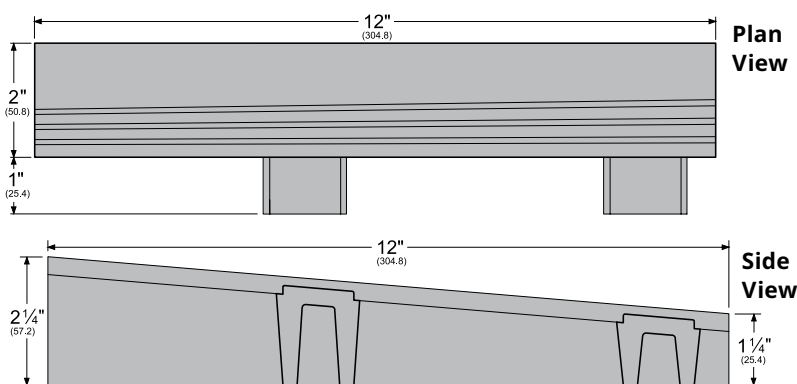


View from high-end

## WINGEXT\_H\_

AVAILABLE FINISHES: **A, AK**

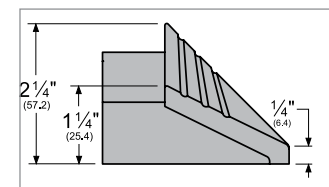
- WINGEXT are included with assemblies to completely fill ends for 2" offset or 2 1/4" flush conditions  
 WINGEXT works in conjunction with WING16 for these higher offset conditions



## WINGEXTRH\_

(right-hand shown)

**End View**



View from high-end

See flyer on the Literature page of [www.assaabloydooraccessories.us](http://www.assaabloydooraccessories.us) for WING cut-down chart.



Experience a safer and more open world

AVAILABLE FINISHES FOR PRODUCTS SHOWN ON THIS PAGE (see General Information section for finish chart)  
**A** (Mill Finish Aluminum) **AK** (Mill Finish Aluminum with PemKote™ Non-Slip Coating)

800-824-3018 | [www.pemko.com](http://www.pemko.com)  
 Check the web site for the up-to-date catalog

Copyright © 2015-2022, ASSA ABLOY Accessories and Door Controls Group, Inc., an ASSA ABLOY Group company. All rights reserved.  
 Reproduction in whole or in part without the express written permission of ASSA ABLOY Accessories and Door Controls Group, Inc. is prohibited.

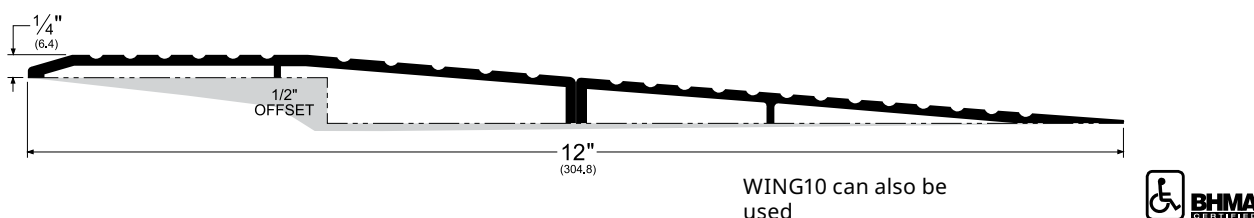


## BARRIER-FREE RAMP THRESHOLDS

- The modular ramp thresholds are an improvement over the **257/259** however, **257/259** will remain available for special requirements
- Use **257\_** and **259\_** together, or use **257\_** with an abutted 1:12 concrete slope
- When used as a cover plate assembly (see Commercial Thresholds section), a longer spindle may be required
- Ramps on this page are not ADA compliant when used at a door opening
- The **257\_** is not ADA compliant when used alone.
- PemKote™ is highly recommended for all threshold assemblies, especially exterior conditions where moisture may be present

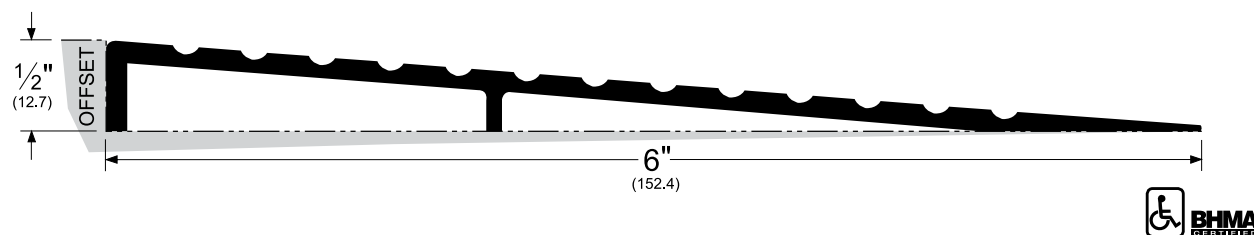
### 257x259\_

AVAILABLE FINISHES: **10BE, A, AK, B, BSP, D, WSP**



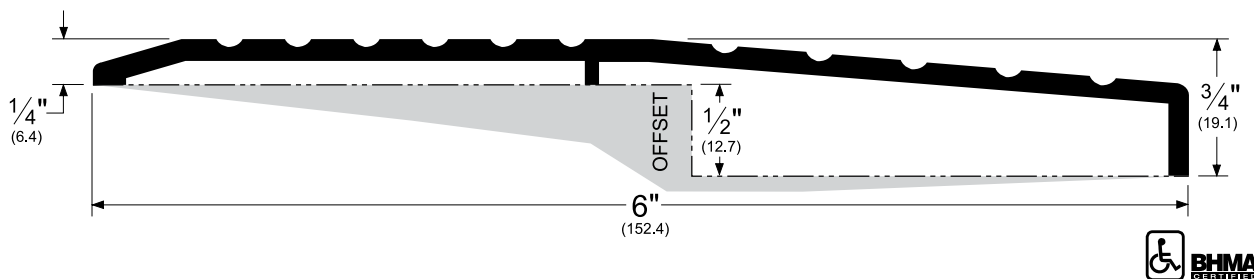
### 259\_

AVAILABLE FINISHES: **10BE, A, AK, B, BSP, D, WSP**



### 257\_

AVAILABLE FINISHES: **10BE, A, AK, B, BSP, D, WSP**



NOTE: Products shown in this section are not drawn to scale.

AVAILABLE FINISHES FOR PRODUCTS SHOWN ON THIS PAGE (see General Information section for finish chart)

- 10BE** (Satin Bronze Powder Coated Aluminum) **A** (Mill Finish Aluminum)
- AK** (Mill Finish Aluminum with PemKote™ Non-Slip Coating) **B** (Mill Finish Extruded Bronze [Brass])
- BSP** (Black Suede Powder Coated Aluminum) **D** (Dark Bronze Anodized)
- WSP** (White Suede Powder Coated Aluminum)

800-824-3018 | [www.pemko.com](http://www.pemko.com)

Check the web site for the up-to-date catalog

Copyright © 2015-2022, ASSA ABLOY Accessories and Door Controls Group, Inc., an ASSA ABLOY Group company. All rights reserved. Reproduction in whole or in part without the express written permission of ASSA ABLOY Accessories and Door Controls Group, Inc. is prohibited.

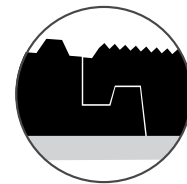
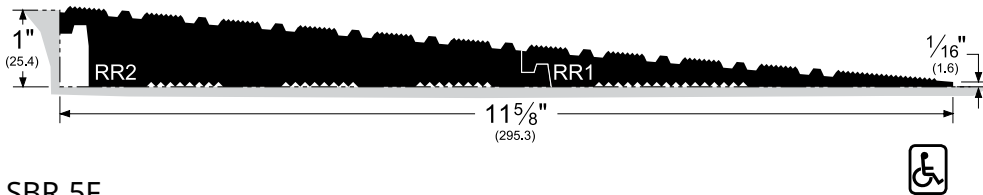
**PEMKO**  
**ASSA ABLOY**

Experience a safer  
and more open world

# FIRE RETARDANT AND STYRENE BUTADIENE RUBBER RAMP THRESHOLDS

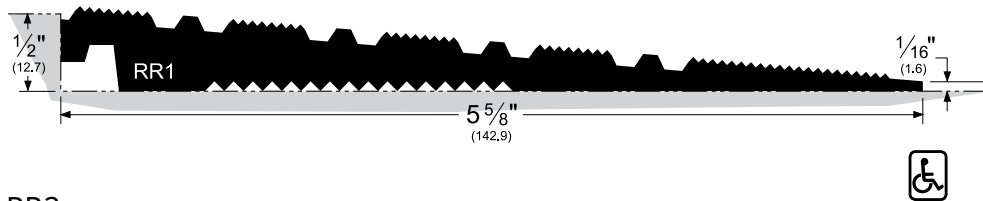
- Rubber ramps meet the requirements of **ADAAG-2010; IBC/ANSI A117.1; and California Title 24, Part 2**
- Styrene butadiene rubber ramps are weather, ozone, abrasion, and impact resistant; long-lasting and fire retardant
- Rubber ramps are sold in one foot increments up to 15-foot lengths
- Rubber ramps can be butted together for longer lengths
- Rubber ramps are cut square on each end but are available with molded rubber miter returns. To receive a pair of miter returns, add "MR" to the part number (example: **SBR.5FMR**)
- Rubber ramps have a superior grip, anti-slip surface and a "no bump" tapered lead edge. Rubber ramps are classified by Underwriters Laboratories, Inc.,<sup>®</sup> as a skid-resistant floor surface per **UL standard for safety, UL410**. Rubber ramps also meet the requirements of **ASTM D 2047** and **Federal Specification P-F-430C**
- Rubber ramps are easy to install on most surfaces by using a construction adhesive. Mechanical fasteners are not required and not recommended
- Rubber ramps are also portable. For temporary applications, an assembly stays in place by its sheer weight and can be removed from one opening and placed at another opening
- Use an adhesive (caulk) suitable for use with plastics and your flooring material for proper installation and adhesion
- Rubber ramps are available for 1/2" and 1" offset heights
- Rubber ramps can be cross-cut to length or ripped to a custom offset height using a table or radial arm saw with a carbide-tipped blade. These modifications must be made in the field

SBR1F  
SBR1FMR \*\*

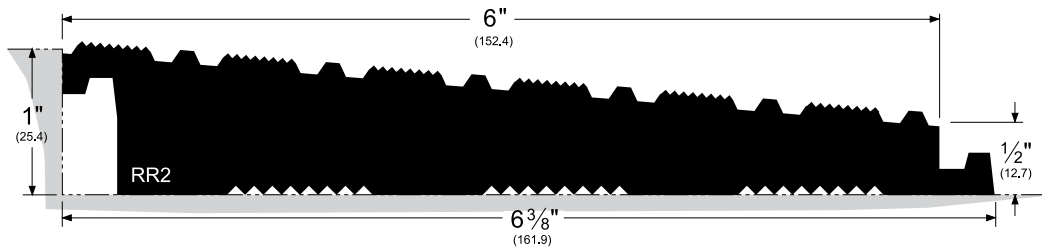


Assembly consists of two inter-locking components.

SBR.5F  
SBR.5FMR \*\*  
RR1



RR2



This component (RR2) is not ADA compliant when used by itself.

NOTE: Products shown in this section are not drawn to scale.

\*\* = Miter Returns are not ADA compliant



Experience a safer and more open world

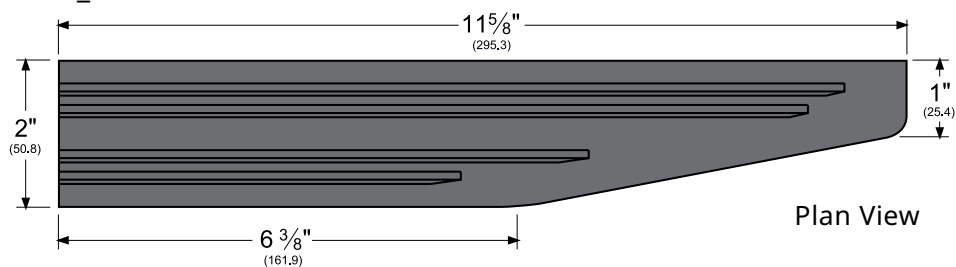
800-824-3018 | [www.pemko.com](http://www.pemko.com)  
Check the web site for the up-to-date catalog

Copyright © 2015-2022, ASSA ABLOY Accessories and Door Controls Group, Inc., an ASSA ABLOY Group company. All rights reserved. Reproduction in whole or in part without the express written permission of ASSA ABLOY Accessories and Door Controls Group, Inc. is prohibited.

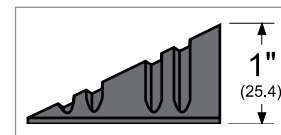
## RUBBER RAMP MITER RETURNS

- Made from molded styrene butadiene rubber
- Glue miter returns to each end using an adhesive such as **RR200**
- Miter Returns are supplied in pairs: one left-hand (**RR12LH**) and one right-hand (**RR12RH**)
- If only one miter return is required, specify the handing

RR12\_H



End View



Shown as viewed from the low end.



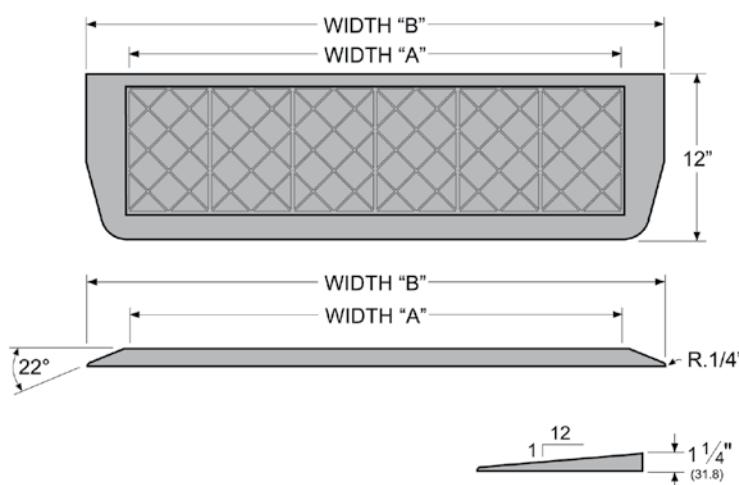
## RECYCLED RUBBER RAMP ASSEMBLY

- ADA Compliant, based on application
- Meets: **UL410, ASTM D2047, Federal Specification P-F-430C**
- Recycled Rubber Ramp Assemblies meet **IBC/ANSI A117.1-2013**
- Made from #20 mesh minus crumb rubber (with urethane binders) reclaimed from 100% recycled rubber automotive tires
- Use an adhesive (caulk) suitable for use with plastics and your flooring material for proper installation and adhesion. Avoid Liquid Nails with Rubber Ramps
- Using ordinary tools, trim to fit your application
- Can be ripped for offsets less than 1 1/4"
- Plane bottom surface of ramp to accommodate irregular surface conditions
- Miter returns are molded into the design of the Recycled Rubber Ramp
- 36" and 60" ramps are supplied as one (1) piece assemblies
- 48" and 72" ramps are supplied as two (2) piece assemblies
- Dimensions are nominal and can vary by as much as one inch. This is acceptable as long as the two halves match

### Ordering Chart

Other sizes are available, please contact Pemko Customer Service.

PART #	WIDTH "A" (door opening)	WIDTH "B" (total width)
RR1.25FMR36	36"	41"
RR1.25FMR48	48"	53"
RR1.25FMR60	60"	65"
RR1.25FMR72	72"	77"
RR1.25FMR96	96"	101"



**PEMKO**  
**ASSA ABLOY**

Experience a safer  
and more open world

800-824-3018 | www.pemko.com

Check the web site for the up-to-date catalog

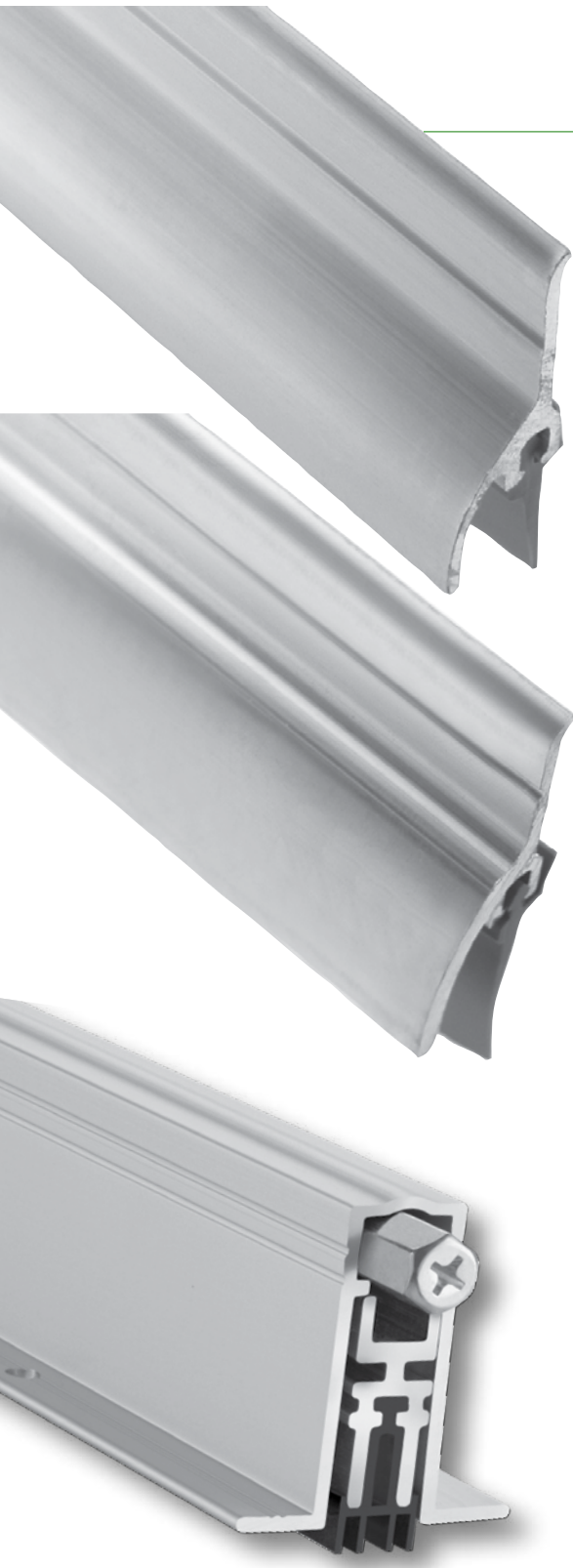
Copyright © 2015-2022, ASSA ABLOY Accessories and Door Controls Group, Inc., an ASSA ABLOY Group company. All rights reserved. Reproduction in whole or in part without the express written permission of ASSA ABLOY Accessories and Door Controls Group, Inc. is prohibited.



Experience a safer  
and more open world

800-824-3018 | [www.pemko.com](http://www.pemko.com)  
Check the web site for the up-to-date catalog

Copyright © 2015-2022, ASSA ABLOY Accessories and Door Controls Group, Inc., an ASSA ABLOY Group company. All rights reserved.  
Reproduction in whole or in part without the express written permission of ASSA ABLOY Accessories and Door Controls Group, Inc. is prohibited.



## PEMKO DOOR BOTTOMS

### CONTENTS:

Automatic Door Bottoms .....	150
Security Door Bottoms .....	154
Residential Automatic Door Bottoms .....	154
End Plates for Automatic Door Bottoms.....	155
Excessive Gap Door Bottom Solutions.....	156
Excessive Gap Door Top Solutions.....	156
Eco-V™ Door Shoes.....	156
Door Shoes.....	157
Thermally Broken Door Shoe .....	159
Door Sweeps for Hollow Metal Doors .....	160
Fabrication Options for Door Shoes .....	160
Door Bottom Sweeps.....	161
Stainless Steel Door Bottom Sweeps.....	164
Specialty Door Bottoms.....	165
Door Top Weatherstrip .....	165
Heavy Duty Door Bumper .....	165

### INDEX:

PRODUCT	PAGE	PRODUCT	PAGE	PRODUCT	PAGE
56.....	162	325XGSS.....	156	18100.....	163
57.....	162	344.....	165	18137.....	163
68.....	165	345.....	162	90062.....	163
196.....	154	345.....	163	90100.....	163
196.....	165	346.....	165	293100.....	163
209.....	157	347.....	165	E199.....	165
210.....	157	368.....	161	EGA305xG.....	156
211.....	157	405.....	154	EV80.....	156
215.....	157	411.....	153	K411.....	155
216.....	157	412.....	152	K412.....	155
216_FG.....	159	420.....	153	K420.....	155
217.....	157	434.....	153	K435.....	155
221.....	159	2113.....	158	K435-PREM.....	155
222.....	160	2170.....	156	K436.....	155
223.....	158	2173.....	158	K436SM.....	155
225.....	160	2211.....	159	K4133.....	155
234.....	157	2212.....	159	K4301.....	155
270.....	154	2221.....	160	SA1.....	154
307.....	162	2343.....	158	SA2.....	154
308.....	162	3151.....	161	SA3.....	154
313.....	165	3151SS.....	164	SA4.....	154
314.....	165	3452.....	162	STC411.....	151
315.....	161	3452.....	163	STC510.....	154
315SS.....	164	3692.....	158	STC4131.....	151
317.....	165	4131.....	152	XG2212.....	156
321.....	161	4301.....	152		
321SS.....	164	18061.....	163		

## AUTOMATIC DOOR BOTTOMS

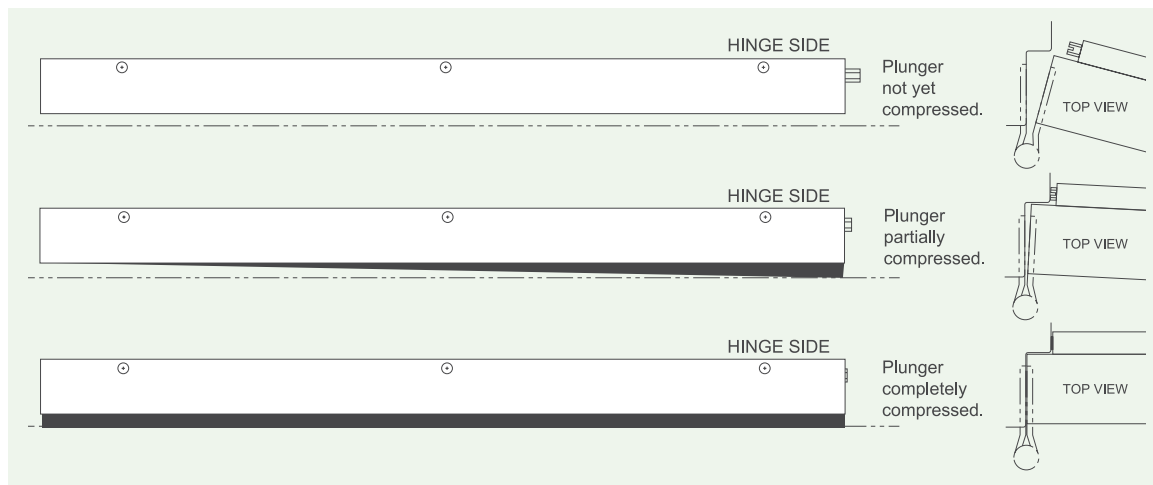
- All Pemko Automatic Door Bottoms, 24" and up, can be manufactured for field alteration. Please specify when ordering: Allow 2" for field trimming
- Overall sizes range from 12" to 72". Sizes between 12" and 23.9" will be supplied at absolute NET length and will have no room for field trimming.
- 0.0625" Lead-lining available upon request; contact Pemko Customer Service for options on profiles
- Provided with end plate kits (except 420, SA, and 405V models) which include wood screws. Tek screws are available for mounting to hollow metal doors.
- See Planet Automatic Door Bottoms for additional models made by ASSA ABLOY Schweisse and offered in the U.S.A. by Pemko.

## IMPORTANT DROP BAR INFORMATION

Drop seals of all types are designed to close a uniform size gap. Pemko drop seals can seal up to  $\frac{3}{4}$ " gaps (420 model can seal up to  $\frac{1}{2}$ " gap), provided the gap is consistent. Gaps that start at less than  $\frac{3}{4}$ " and then grow cannot be closed. The drop seal utilizes a straight aluminum extrusion so it cannot close an inconsistent gap. Plunger extension to drop dimension is 1:1 (i.e., a  $\frac{1}{4}$ " extension on the plunger will equal a  $\frac{1}{4}$ " drop of the drop bar).

## DROP-BAR SEAL ACTUATION

The drop bar mechanism prevents the seal from skidding along the floor/threshold while the door is being closed.



**PEMKO**  
**ASSA ABLOY**

Experience a safer  
and more open world

800-824-3018 | [www.pemko.com](http://www.pemko.com)  
Check the web site for the up-to-date catalog

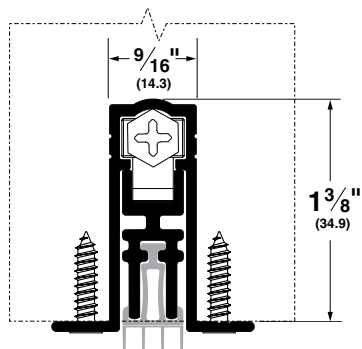
Copyright © 2015-2022, ASSA ABLOY Accessories and Door Controls Group, Inc., an ASSA ABLOY Group company. All rights reserved.  
Reproduction in whole or in part without the express written permission of ASSA ABLOY Accessories and Door Controls Group, Inc. is prohibited.

## AUTOMATIC DOOR BOTTOMS - ACOUSTIC

- Non-handed
- Recommended gap under door is  $\frac{3}{8}$ " for optimal acoustic performance; max drop is  $\frac{3}{4}$ "
- Internal mechanism allows bar to accommodate slight imperfections in floor materials
- STC411 end plate kit is K435; for doors narrower than 1- $\frac{3}{4}$ ", specify end plate kit K411
- STC4131 end plate kit is K4133C for Clear Anodized and K4133D for Dark Bronze Anodized

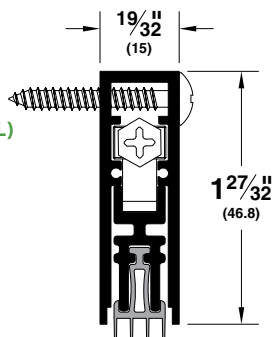
### STC411\_PK

AVAILABLE FINISHES: **A**  
 REPLACEMENT INSERT:  
**PK4111 (BL)**  
 ANSI: **R3G324, R3G325**



### STC4131\_PK

AVAILABLE FINISHES:  
**10BE, BSP, C, D, WSP**  
 REPLACEMENT INSERT: **PK4111 (BL)**  
 ANSI: **R3G334, R3G335, R3G344, R3G345**



NOTE: STC411\_PK Automatic Door Bottom is now included in PEMKOSTCSET-1 (A through E).  
 Please see Acoustic Products section for more information.

NOTE: Products shown in this section may not be drawn to scale.

AVAILABLE FINISHES FOR PRODUCTS SHOWN ON THIS PAGE (see General Information section for finish chart)  
**10BE** (Satin Bronze Powder Coated Aluminum) **A** (Mill Finish Aluminum) **BSP** (Black Suede Powder Coated Aluminum)  
**C** (Clear Anodized) **D** (Dark Bronze Anodized) **WSP** (White Suede Powder Coated Aluminum)

800-824-3018 | [www.pemko.com](http://www.pemko.com)

Check the web site for the up-to-date catalog

Copyright © 2015-2022, ASSA ABLOY Accessories and Door Controls Group, Inc., an ASSA ABLOY Group company. All rights reserved.  
 Reproduction in whole or in part without the express written permission of ASSA ABLOY Accessories and Door Controls Group, Inc. is prohibited.

**PEMKO**  
**ASSA ABLOY**

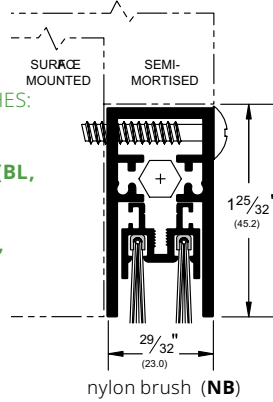
Experience a safer  
 and more open world

# AUTOMATIC DOOR BOTTOMS - SURFACE AND SEMI-MORTISE MODELS

- Specify if the Automatic Door Bottom is for a semi-mortise application so that shorter screws can be provided
- Recommended gap under door is 1/2," maximum drop is 3/4"
- 4301 end plate kit is K436 for surface mounted applications and K436SM for semi-mortised applications
- 4131 end plate kit is K4133
- 412 end plate kit is K412R1

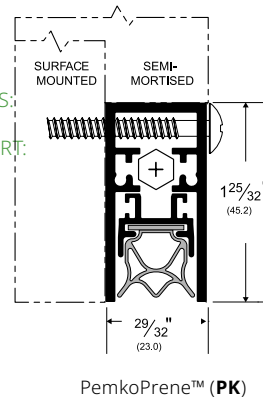
## 4301\_NBL

AVAILABLE FINISHES:  
**BSP, C, D**  
 REPLACEMENT INSERT:  
**P516062 (BL, GR, W)**  
 ANSI: **R3A334, R3A335, R3A344, R3A345**



## 4301\_PKL

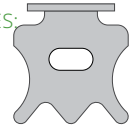
AVAILABLE FINISHES:  
**BSP, C, D**  
 REPLACEMENT INSERT:  
**PK4304 (BL)**  
 ANSI: **R3G334, R3G335, R3G344, R3G345**



### Alternate Insert For 4301

## 4301\_RL

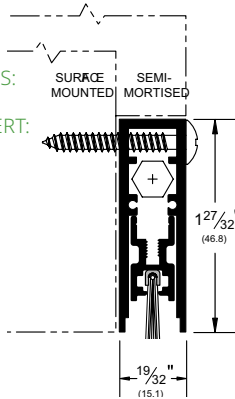
AVAILABLE FINISHES:  
**BSP, C, D**  
 REPLACEMENT INSERT:  
**E4303 (BL)**  
 ANSI: **R3G334, R3G335, R3G344, R3G345**



sponge EPDM (R)

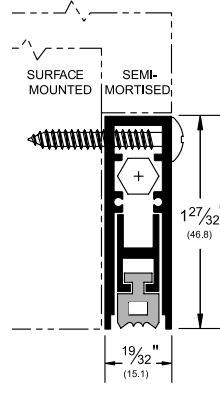
## 4131\_NBL

AVAILABLE FINISHES:  
**BSP, C, D, SN**  
 REPLACEMENT INSERT:  
**P516041 (BL, GR)**  
 ANSI: **R3A334, R3A335, R3A344, R3A345**



## 4131\_RL

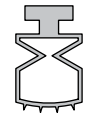
AVAILABLE FINISHES:  
**BSP, C, D, SN**  
 REPLACEMENT INSERT:  
**E7 (BL)**  
 ANSI: **R3G334, R3G335, R3G344, R3G345**



### Alternate Inserts For 4131

## 4131\_PKL

AVAILABLE FINISHES:  
**BSP, C, D, SN**  
 REPLACEMENT INSERT:  
**PK4132 (BL)**  
 ANSI: **R3G334, R3G335, R3G344, R3G345**



PemkoPrene™ (PK)

## 4131\_SL

AVAILABLE FINISHES:  
**BSP, C, D, SN**  
 REPLACEMENT INSERT:  
**SR6 (BL)**  
 ANSI: **R3E334, R3E335, R3E344, R3E345**

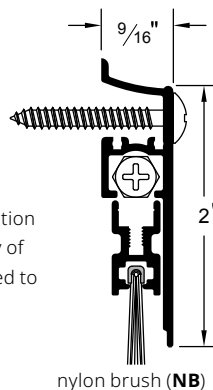


sponge silicone (S)

## 412\_NBL

AVAILABLE FINISHES:  
**B, BSP, C, D, S**  
 REPLACEMENT INSERT:  
**P516041 (BL, GR)**  
 ANSI: **R3A334, R3A335**

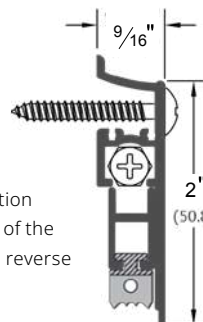
- Surface mounted application
- Handed and disassembly of the mechanism is required to reverse the hand



## 412\_RL

AVAILABLE FINISHES:  
**B, BSP, C, D, S**  
 REPLACEMENT INSERT:  
**E7 (BL)**  
 ANSI: **R3G334, R3G335**

- Surface mounted application
- Handed and disassembly of the mechanism is required to reverse the hand



### Alternate Inserts For 412

## 412\_SL

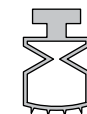
AVAILABLE FINISHES:  
**B, BSP, C, D, S**  
 REPLACEMENT INSERT:  
**SR6 (BL)**  
 ANSI: **R3E334, R3E335**



sponge silicone (S)

## 412\_PKL

AVAILABLE FINISHES:  
**B, BSP, C, D, S**  
 REPLACEMENT INSERT:  
**PK4132 (BL)**  
 ANSI: **R3G334, R3G335**



PemkoPrene™ (PK)

All above products



NOTE: Products shown in this section may not be drawn to scale.

AVAILABLE FINISHES FOR PRODUCTS SHOWN ON THIS PAGE (see General Information section for finish chart)  
**B** (Cladded Brass Shell) **BSP** (Black Suede Powder Coated Aluminum) **C** (Clear Anodized)  
**D** (Dark Bronze Anodized) **S** (Cladded Stainless Steel) **SN** (Satin Nickel Anodized)

800-824-3018 | www.pemko.com

Check the web site for the up-to-date catalog

**PEMKO**  
**ASSA ABLOY**

Experience a safer  
 and more open world

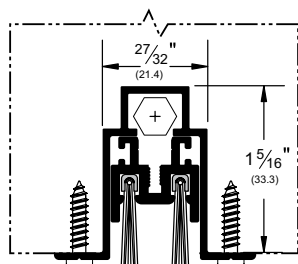


# AUTOMATIC DOOR BOTTOMS - FULL-MORTISE MODELS

- Recommended drop is 1/2"; maximum drop is 3/4", except where noted
- 411 and 434 end plate kit is K435. When using 411 model on doors narrower than 1 3/4", specify end plate kit K411
- 420 is used on hollow metal doors and does not come with end plates; requires a hole for the plunger to extend through in the hinge side door edge.

## 434\_NBL

AVAILABLE FINISH: **A**  
 REPLACEMENT INSERT: **P516062 (BL, GR, W)**  
 ANSI: **R3A324, R3A325**

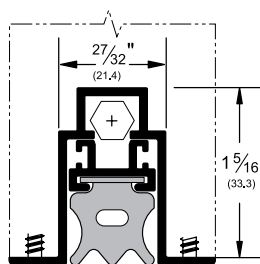


nylon brush (NB)



## 434\_RL

AVAILABLE FINISH: **A**  
 REPLACEMENT INSERT: **E4303 (BL)**  
 ANSI: **R3G324, R3G325**

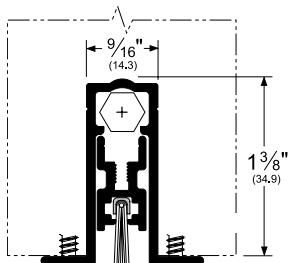


sponge EPDM (R)



## 411\_NBL

AVAILABLE FINISH: **A**  
 REPLACEMENT INSERT: **P516041 (BL, GR)**  
 ANSI: **R3A324, R3A325**

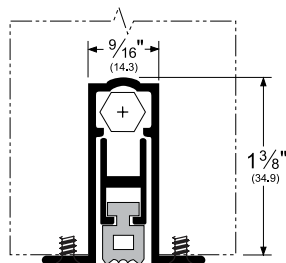


nylon brush (NB)



## 411\_RL

AVAILABLE FINISH: **A**  
 REPLACEMENT INSERT: **E7 (BL)**  
 ANSI: **R3G324, R3G325**



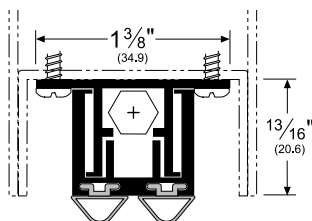
sponge EPDM (R)



## 420\_PKL

AVAILABLE FINISH: **A**  
 REPLACEMENT INSERT: **PK4 (BL, GR)**  
 ANSI: **R3G324, R3G325**

- For hollow metal doors maximum drop is 1/2"
- Recommended drop is 3/8"

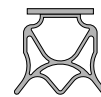


PemkoPrene™ (PK)



## Alternate Inserts For 434 434\_PKL

AVAILABLE FINISH: **A**  
 REPLACEMENT INSERT: **PK4304 (BL)**  
 ANSI: **R3G324, R3G325**



PemkoPrene™ (PK)



## Alternate Inserts For 411 411\_PKL

AVAILABLE FINISH: **A**  
 REPLACEMENT INSERT: **PK4132 (BL)**  
 ANSI: **R3G324, R3G325**



PemkoPrene™ (PK)



## 411\_SL

AVAILABLE FINISHES: **A**  
 REPLACEMENT INSERT: **SR6 (BL)**  
 ANSI: **R3E324, R3E325**



sponge silicone (S)



## Alternate Inserts For 420 420\_VL

AVAILABLE FINISH: **A**  
 REPLACEMENT INSERT: **EV41 (BL, GR, W)**



Eco-V™ (V)



## 420\_SL

AVAILABLE FINISH: **A**  
 REPLACEMENT INSERT: **S4 (BL, GR)**  
 ANSI: **R3G324, R3G325**



silicone (S)



NOTE: Products shown in this section may not be drawn to scale.

AVAILABLE FINISHES FOR PRODUCTS SHOWN ON THIS PAGE (see General Information section for finish chart)  
**A** (Mill Finish Aluminum)

800-824-3018 | www.pemko.com

Check the web site for the up-to-date catalog

Copyright © 2015-2022, ASSA ABLOY Accessories and Door Controls Group, Inc., an ASSA ABLOY Group company. All rights reserved.  
 Reproduction in whole or in part without the express written permission of ASSA ABLOY Accessories and Door Controls Group, Inc. is prohibited.

**PEMKO**  
**ASSA ABLOY**

Experience a safer  
 and more open world

## SECURITY DOOR BOTTOMS

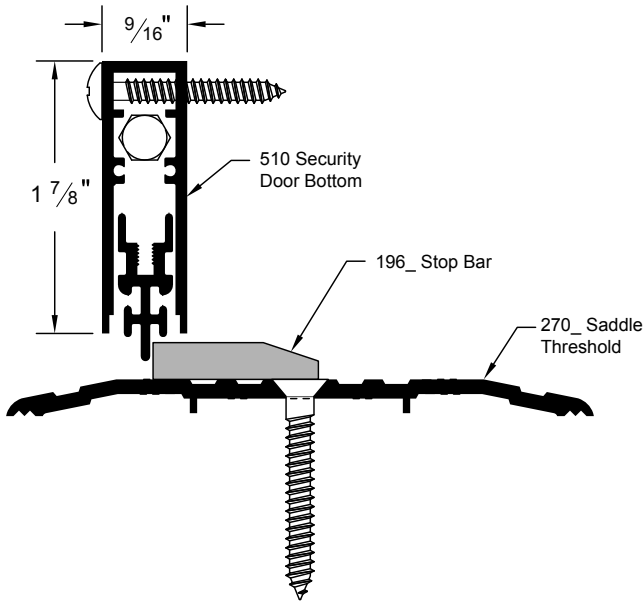
- Help prevent break-ins with Pemko security door bottoms
- Great for office buildings, dormitories, hotel/motels, multi-family housing, and other applications where break-ins from interior lever-handles are a problem
- Mounting screws and a cam are included
- Order stop bar (196) and thresholds (270, 2364, etc.) separately

### STC510\_

AVAILABLE FINISHES: **C, D**  
 AVAILABLE LENGTHS: **36", 42", 48"**  
 ANSI: **R3Y334, R3Y335, R3Y344, R3Y345**

### 196\_ and 270\_

AVAILABLE FINISHES:  
**A, B, D**

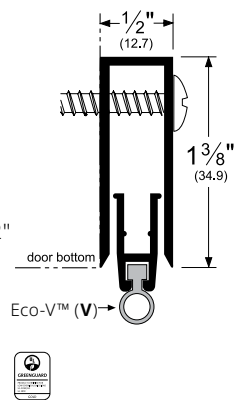


## RESIDENTIAL AUTOMATIC DOOR BOTTOMS

### SA1\_, SA2\_, SA3\_, SA4\_

AVAILABLE FINISHES: **A** (no finish selection), **D**  
 AVAILABLE LENGTHS: **28", 32", 36", 42"**  
 REPLACEMENT INSERT: **EV5 (BL)**

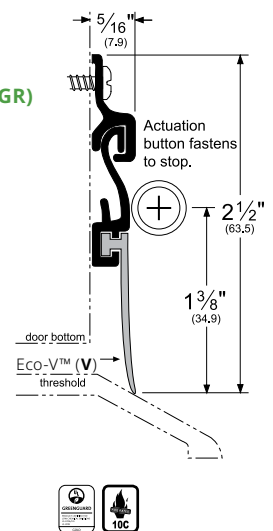
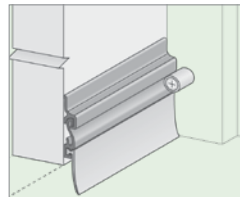
- Surface type for wood doors
- 1/2" maximum drop
- Can be trimmed down by as much as 2"
- Non-handed
- End plates are not provided



### 405\_V

AVAILABLE FINISHES: **C, D, PW**  
 REPLACEMENT INSERT: **EV43 (BL, GR)**

- Spring loaded door bottom sweep
- Available in 36" length only
- May be cut down to 24" minimum length



NOTE: Products shown in this section may not be drawn to scale.

AVAILABLE FINISHES FOR PRODUCTS SHOWN ON THIS PAGE (see General Information section for finish chart)  
**A** (Mill Finish Aluminum) **B** (Mill Finish Extruded Bronze [Brass]) **C** (Clear Anodized) **D** (Dark Bronze Anodized)  
**G** (Gold Anodized) **PW** (Painted White)



Experience a safer  
 and more open world

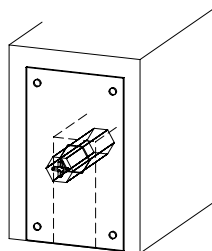
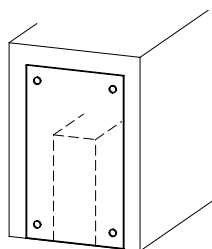
800-824-3018 | www.pemko.com  
 Check the web site for the up-to-date catalog

Copyright © 2015-2022, ASSA ABLOY Accessories and Door Controls Group, Inc., an ASSA ABLOY Group company. All rights reserved.  
 Reproduction in whole or in part without the express written permission of ASSA ABLOY Accessories and Door Controls Group, Inc. is prohibited.

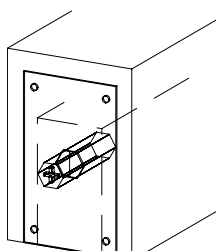
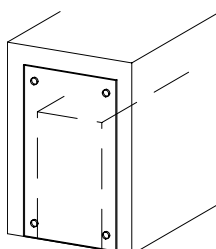
## END PLATES FOR AUTOMATIC DOOR BOTTOMS

- Metal end plates are provided to protect the mechanism and to give a clean, aesthetic appearance. Do not tighten with power tool
- Plunger end plate prevents the plunger adjustment from rotating
- Necessary fasteners are provided with End Plate kits; color corresponds with case color
- All end plates are black in color

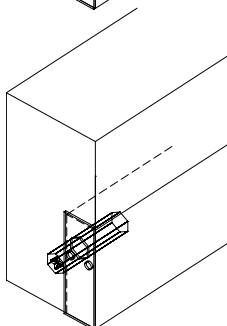
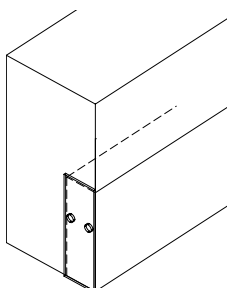
411 and STC411®  
End Plates Mortise



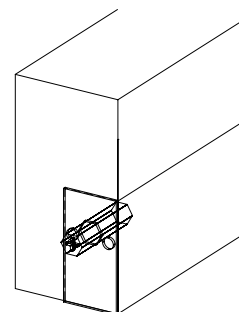
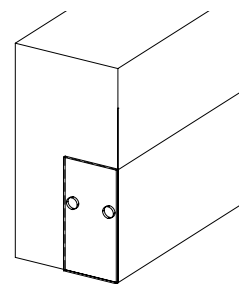
434 End Plates  
Mortise



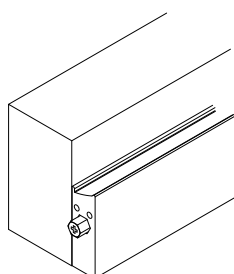
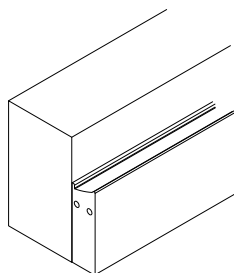
4131 and STC4131®  
Auto Door Bottom  
Semi-Mortise\*



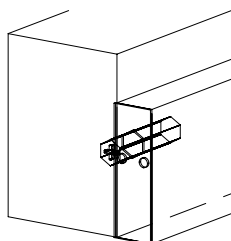
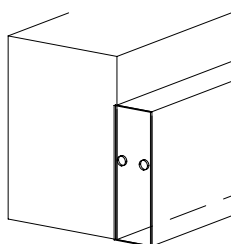
4301 Auto  
Door Bottom  
Semi-Mortise\*



412 New Style  
End Plates



510 End Plates  
Surface Mount



### Automatic Door Bottom Kits

K411	Optional Kit for 411 and STC411 Door Bottom, 1 3/8" Doors
K412R1C	Kit for new style 412 Door Bottom - Clear
K412R1D	Kit for new style 412 Door Bottom - Dark Bronze
K4133C	Kit for 4131, STC4131, and STC510 Door Bottoms, Clear
K4133D	Kit for 4131, STC4131, and STC510 Door Bottoms, Dark Bronze
K4133G	Kit for 4131 Door Bottom, Bright Dip Gold
K420	Kit for 420 Door Bottom
K435	Standard Kit for 411, 434, and STC411 Door Bottom
K436	Kit for 4301 Door Bottom (surface)
K436SM	Kit for 4301 Door Bottom (semi-mortised)
K435-PREM	Special End-Support Mounting Kit for 434 (sold separately)

800-824-3018 | [www.pemko.com](http://www.pemko.com)

Check the web site for the up-to-date catalog

Copyright © 2015-2022, ASSA ABLOY Accessories and Door Controls Group, Inc., an ASSA ABLOY Group company. All rights reserved. Reproduction in whole or in part without the express written permission of ASSA ABLOY Accessories and Door Controls Group, Inc. is prohibited.

**PEMKO**  
**ASSA ABLOY**

Experience a safer  
and more open world

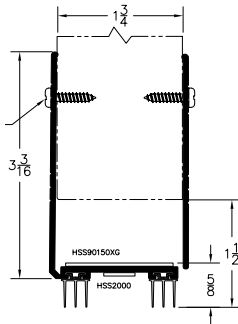
## EXCESSIVE GAP DOOR BOTTOM SOLUTIONS

- Brings fire-rated doors with excessive bottom gaps back into spec - up to 1-1/2"
- UL Classified for 90-minutes
- Supplied net length (as ordered)

### XG2212\_PK773

AVAILABLE FINISHES: **A, BSP, WSP, 10BE**  
 REPLACEMENT INSERT: **PK773 (BL)**

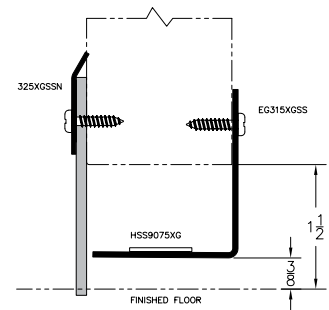
- Aluminum construction
- Easily field modifiable with standard equipment
- Supplied with K450XG end plate kit



### 325XGSSN

AVAILABLE FINISHES: **SS, SSBSP, SSWSP, SS10BE**  
 REPLACEMENT INSERT: **N25 (BL)**

- Stainless steel door sweep paired with stainless steel angle
- #4 brushed stainless steel
- Supplied with K450XG end plate kit



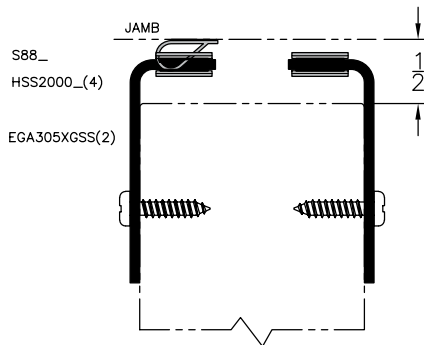
## EXCESSIVE GAP DOOR TOP SOLUTIONS

- Brings fire-rated doors with excessive top gaps back into spec - up to 1/2"
- UL Classified for 90-minutes
- Supplied net length (as ordered)

### EGA305XG\_

AVAILABLE FINISHES: **SS, SSBSP, SSWSP, SS10BE**

- Stainless steel construction, #4 brushed
- Supplied with HSS2000 intumescent
- Supplied with K450XG end plate kit

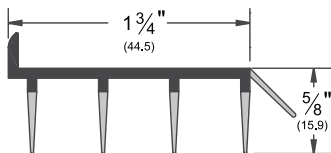


## ECO-V™ DOOR SHOES

- Dual durometer Eco-V™ door shoe
- EV80\_ is furnished net 36"
- Supplied Net Length (as ordered)

### EV80\_

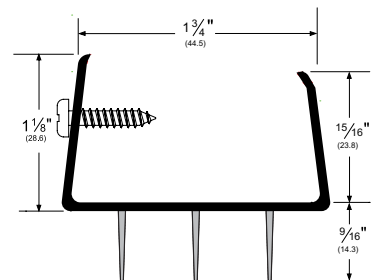
AVAILABLE FINISHES: **D**  
 AVAILABLE LENGTHS: **36" NET**



### 2170\_V

AVAILABLE COLORS: **D, W**  
 AVAILABLE LENGTHS: **36", 48"**

Also available with unnotched insert:  
 2170\_V36UN  
 2170\_V48UN



NOTE: Products shown in this section may not be drawn to scale.

AVAILABLE FINISHES FOR PRODUCTS SHOWN ON THIS PAGE (see General Information section for finish chart)  
**10BE** (Satin Bronze Powder) **A** (Mill Finish Aluminum) **BSP** (Black Suede Powder)  
**SS** (Stainless Steel) **WSP** (White Suede Powder)  
 Eco-V® DOORS SHOES: **D** (Dark Brown) **W** (White)



Experience a safer  
 and more open world

800-824-3018 | www.pemko.com  
 Check the web site for the up-to-date catalog

# DOOR SHOES

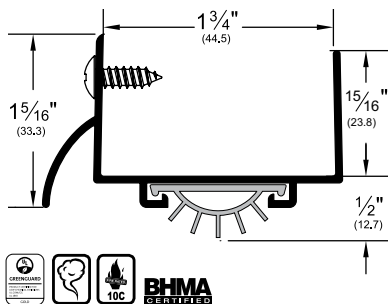
- Profiles on this page available with PemkoPrene™ (PK) or
- Eco-V™ (V); both are the same shape and size
- Slotted holes for easy adjustment
- Rain drip model is ideal for deflecting rain away from the bottom of door
- Recommended compression of gasket fins is 1/16"
- Except where specified otherwise, supplied with 1/4" undercut from length ordered. Specify "NET LENGTH" to receive length as ordered.

## 216\_V

AVAILABLE FINISHES: **A, B, BDG, BSP, D, PW, SN**  
 REPLACEMENT INSERT: **EV9 (BL, GR)**  
 ANSI: **R3D514**

## 216\_PK

AVAILABLE FINISHES: **A, B, BDG, BSP, D, PW, SN**  
 REPLACEMENT INSERT: **PK9 (BL, GR)**  
 ANSI: **R3G514**

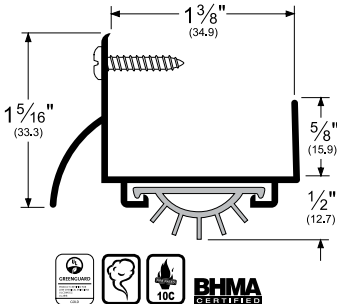


## 215\_V

AVAILABLE FINISHES: **A, BDG, BSP, D, G, PW, SN**  
 REPLACEMENT INSERT: **EV9 (BL, GR)**  
 ANSI: **R3D514**

## 215\_PK

AVAILABLE FINISHES: **A, BDG, BSP, D, G, PW, SN**  
 REPLACEMENT INSERT: **PK9 (BL, GR)**  
 ANSI: **R3G514**

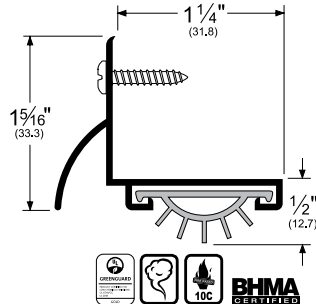


## 210\_V

AVAILABLE FINISHES: **A, BDG, BSP, D, G, PW, SN**  
 REPLACEMENT INSERT: **EV9 (BL, GR)**  
 ANSI: **R3D514**

## 210\_PK

AVAILABLE FINISHES: **A, BDG, BSP, D, G, PW, SN**  
 REPLACEMENT INSERT: **PK9 (BL, GR)**  
 ANSI: **R3G514**

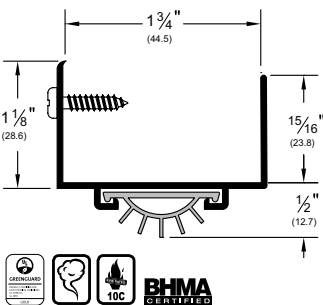


## 217\_V

AVAILABLE FINISHES: **A, BSP, D, G, PW, SN**  
 REPLACEMENT INSERT: **EV9 (BL, GR)**  
 ANSI: **R3D414**

## 217\_PK

AVAILABLE FINISHES: **A, BSP, D, G, PW, SN**  
 REPLACEMENT INSERT: **PK9 (BL, GR)**  
 ANSI: **R3G414**

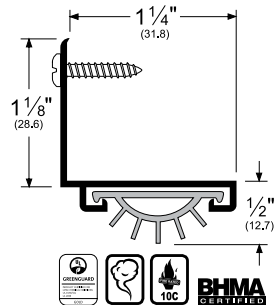


## 211\_V

AVAILABLE FINISHES: **A, BSP, D, G**  
 REPLACEMENT INSERT: **EV9 (BL, GR)**  
 ANSI: **R3D414**

## 211\_PK

AVAILABLE FINISHES: **A, BSP, D, G**  
 REPLACEMENT INSERT: **PK9 (BL, GR)**  
 ANSI: **R3G414**



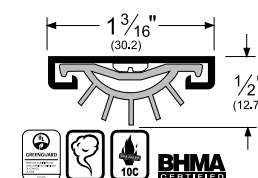
## 234\_V

AVAILABLE FINISHES: **A, BSP, D, G**  
 REPLACEMENT INSERT: **EV9 (BL, GR)**  
 ANSI: **R3D414**

## 234\_PK

AVAILABLE FINISHES: **A, BSP, D, G**  
 REPLACEMENT INSERT: **PK9 (BL, GR)**  
 ANSI: **R3G414**

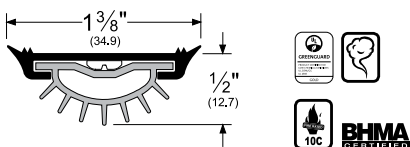
- Supplied Net Length (as ordered)



## 209\_V

AVAILABLE FINISHES: **A, BSP, D**  
 REPLACEMENT INSERT: **EV15 (BL, GR)**  
 ANSI: **R3D414**

- Supplied Net Length (as ordered)



NOTE: Products shown in this section may not be drawn to scale.

AVAILABLE FINISHES FOR PRODUCTS SHOWN ON THIS PAGE (see General Information section for finish chart)  
**A** (Mill Finish Aluminum) **BDG** (Bright Dip Gold Anodized) **BSP** (Black Suede Powder Coated Aluminum)  
**D** (Dark Bronze Anodized) **G** (Gold Anodized) **PW** (Painted White)

800-824-3018 | www.pemko.com

Check the web site for the up-to-date catalog

Copyright © 2015-2022, ASSA ABLOY Accessories and Door Controls Group, Inc., an ASSA ABLOY Group company. All rights reserved.  
 Reproduction in whole or in part without the express written permission of ASSA ABLOY Accessories and Door Controls Group, Inc. is prohibited.

**PEMKO**  
**ASSA ABLOY**

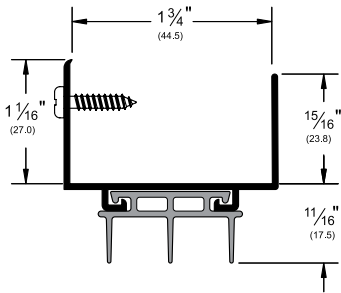
Experience a safer  
 and more open world

# DOOR SHOES (Cont.)

- Notched-fin gaskets (where applicable) allow up to 50% free air flow
- Recommended compression of gasket fins is 1/16"
- Except where noted, supplied with 1/4" undercut from length ordered. Specify "NET LENGTH" to receive length as ordered."

## 2173\_V

AVAILABLE FINISHES: **A, BSP, D, G, PW**  
 AVAILABLE LENGTHS: **36", 48"**  
 REPLACEMENT INSERT: **EV94 (BL)**  
 ANSI: **R3D414, R3D415**



Also available with unnotched insert:

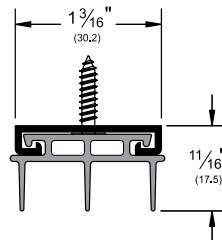
2173\_V36UN  
 2173\_V48UN



## 2343\_V

AVAILABLE FINISHES: **A, BSP, D, G**  
 AVAILABLE LENGTHS: **36", 48"**  
 REPLACEMENT INSERT: **EV94 (BL)**  
 ANSI: **R3D414, R3D415**

- Supplied Net Length (as ordered)



Also available with unnotched insert:

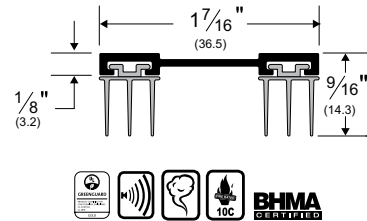
2343\_V36UN  
 2343\_V48UN



## 3692\_PK773

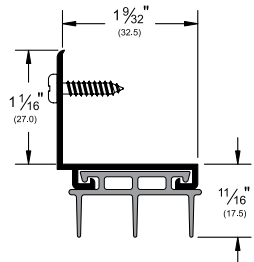
AVAILABLE FINISHES: **A**  
 AVAILABLE LENGTHS: **36", 48"**  
 REPLACEMENT INSERT: **PK773 (BL, GR)**  
 ANSI: **R3G414, R3G415**

- Supplied Net Length (as ordered)



## 2113\_V

AVAILABLE FINISHES: **A, BSP, D, G**  
 AVAILABLE LENGTHS: **36", 48"**  
 REPLACEMENT INSERT: **EV94 (BL)**  
 ANSI: **R3D414, R3D415**



Also available with unnotched insert:

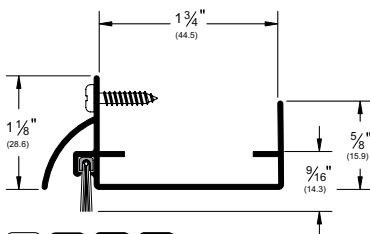
2113\_V36UN  
 2113\_V48UN



## 223\_NB

AVAILABLE FINISHES: **A, BSP**  
 REPLACEMENT INSERT: **P516041 (BL, GR)**  
 ANSI: **R3A514, R3A515**

- Supplied Net Length (as ordered)



Replacement "V" gasket for Door Shoes on this page is EV94. For replacement gasket with notched fins, add "N" to the end of the part number.

Example:  
 EV94BL-36.5 - Unnotched fins  
 EV94BL-36.5N - Notched fins (for airflow)

NOTE: Products shown in this section may not be drawn to scale.

AVAILABLE FINISHES FOR PRODUCTS SHOWN ON THIS PAGE (see General Information section for finish chart)

**A** (Mill Finish Aluminum) **BDG** (Bright Dip Gold Anodized) **BSP** (Black Suede Powder Coated Aluminum)  
**D** (Dark Bronze Anodized) **G** (Gold Anodized) **PW** (Painted White)



Experience a safer and more open world

800-824-3018 | www.pemko.com  
 Check the web site for the up-to-date catalog

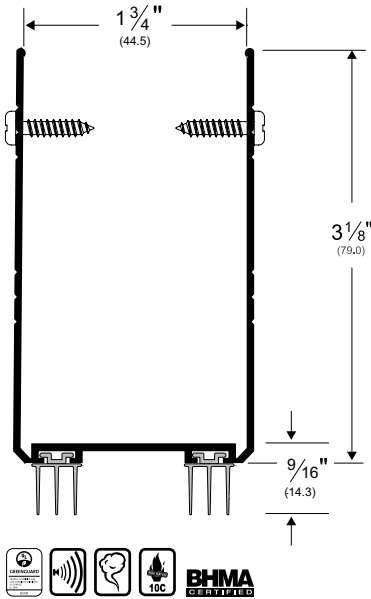
Copyright © 2015-2022, ASSA ABLOY Accessories and Door Controls Group, Inc., an ASSA ABLOY Group company. All rights reserved. Reproduction in whole or in part without the express written permission of ASSA ABLOY Accessories and Door Controls Group, Inc. is prohibited.

## DOOR SHOES (Cont.)

### 2212\_PK773

AVAILABLE FINISHES: **A, BSP**  
 REPLACEMENT INSERT: **PK773 (BL, GR)**  
 ANSI: **R3G416**

- Combination door shoe and kick plate
- Excellent Acoustic performance
- Supplied Net Length (as ordered)



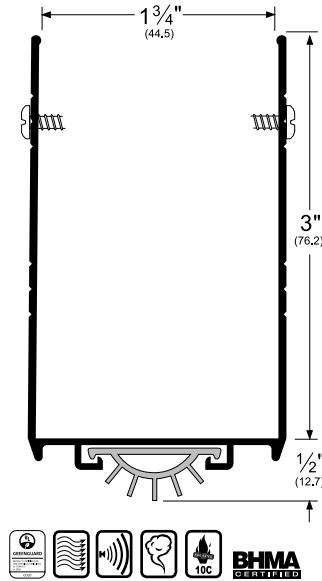
### 221\_V

AVAILABLE FINISHES: **A, BSP, D, G**  
 REPLACEMENT INSERT: **EV9 (BL, GR)**  
 ANSI: **R3D414**

### 221\_PK

AVAILABLE FINISHES: **A, BSP, D, G**  
 REPLACEMENT INSERT: **PK9 (BL, GR)**  
 ANSI: **R3G414**

- Combination door shoe and kick plate
- Supplied Net Length (as ordered)



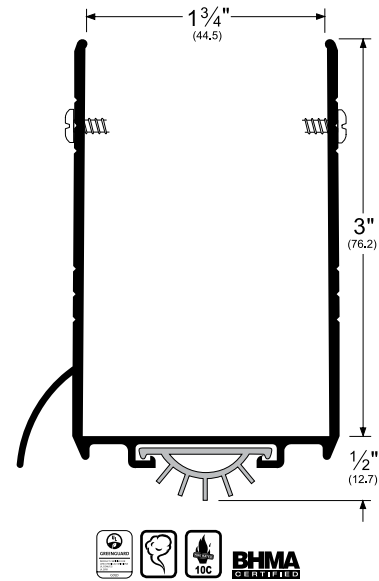
### 2211\_V

AVAILABLE FINISHES: **A, BSP, D, G**  
 REPLACEMENT INSERT: **EV9 (BL, GR)**  
 ANSI: **R3D514**

### 2211\_PK

AVAILABLE FINISHES: **A, BSP, D, G**  
 REPLACEMENT INSERT: **PK9 (BL, GR)**  
 ANSI: **R3G514**

- Combination door shoe and kick plate with raindrip
- Supplied Net Length (as ordered)

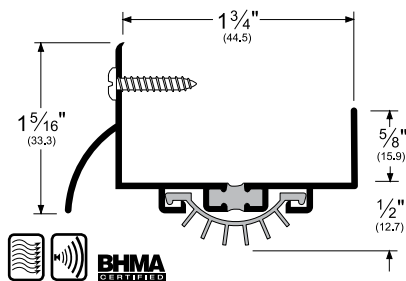


## Thermally Broken Door Shoe

- Polypropylene thermal break (FG) prevents conductivity of hot or cold from exterior to interior. Supplied with PemkoPrene™ Seal
- Supplied Net Length (as ordered)

### 216\_FG

AVAILABLE FINISHES: **BDC, BSP, D, PW, SN**  
 REPLACEMENT INSERT: **PK216 (BL, GR)**  
 ANSI: **R3D514**



NOTE: Products shown in this section may not be drawn to scale.

AVAILABLE FINISHES FOR PRODUCTS SHOWN ON THIS PAGE (see General Information section for finish chart)

**A** (Mill Finish Aluminum) **BDC** (Bright Dip Clear) **BSP** (Black Suede Powder Coated Aluminum)  
**D** (Dark Bronze Anodized) **G** (Gold Anodized) **PW** (Painted White) **SN** (Satin Nickel Anodized)

800-824-3018 | www.pemko.com

Check the web site for the up-to-date catalog

Copyright © 2015-2022, ASSA ABLOY Accessories and Door Controls Group, Inc., an ASSA ABLOY Group company. All rights reserved. Reproduction in whole or in part without the express written permission of ASSA ABLOY Accessories and Door Controls Group, Inc. is prohibited.

**PEMKO**  
**ASSA ABLOY**

Experience a safer  
 and more open world

## DOOR SWEEPS FOR HOLLOW METAL DOORS

- Profiles in this section available with PemkoPrene™ (PK) or Eco-V™ (V); both are the same shape and size
- Slotted holes for easy adjustment
- Rain drip model is ideal for deflecting rain away from the bottom of the door

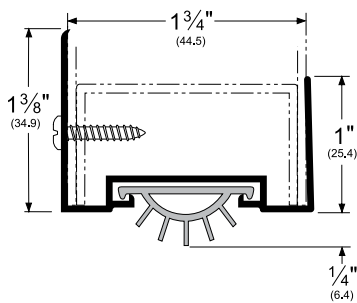
### 222\_V

AVAILABLE FINISHES: **A, BSP, D**  
 REPLACEMENT INSERT: **EV9 (BL, GR)**  
 ANSI: **R3D414**

### 222\_PK

AVAILABLE FINISHES: **A, BSP, D**  
 REPLACEMENT INSERT: **PK9 (BL, GR)**  
 ANSI: **R3G414**

- For hollow metal doors with inverted bottom channel
- Supplied Net Length (as ordered)



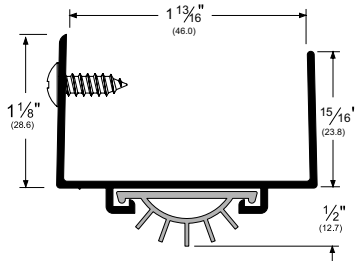
### 225\_V

AVAILABLE FINISHES: **A, BSP, D**  
 REPLACEMENT INSERT: **EV9 (BL, GR)**  
 ANSI: **R3D414**

### 225\_PK

AVAILABLE FINISHES: **A, BSP, D**  
 REPLACEMENT INSERT: **PK9 (BL, GR)**  
 ANSI: **R3G414**

- Supplied with 1/4" undercut from length ordered. Specify "NET LENGTH" to receive length as ordered.



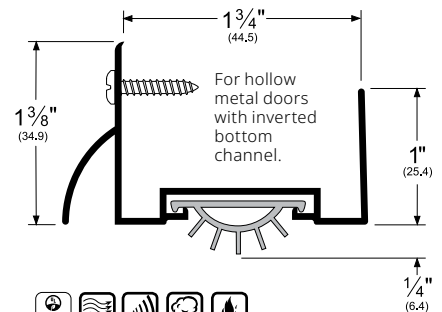
### 2221\_V

AVAILABLE FINISHES: **A, BSP, D, G**  
 REPLACEMENT INSERT: **EV9 (BL, GR)**  
 ANSI: **R3D514**

### 2221\_PK

AVAILABLE FINISHES: **A, BSP, D, G**  
 REPLACEMENT INSERT: **EV9 (BL, GR)**  
 ANSI: **R3G514**

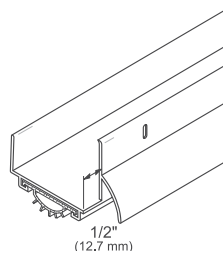
- Supplied Net Length (as ordered)



## FABRICATION OPTIONS FOR DOOR SHOES

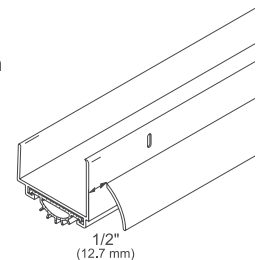
### 1/2" Full Notch

- **Fabrication includes:** removal of rain drip and front flange of door shoe to prevent interference with door stop and weatherstrip
- **Ordering:** order width of door leaf, and designate by adding "M" following the product number (Example: a 216AV with a 1/2" full notch fabrication, for a 36" door leaf = 216AVM36)



### 1/2" Half Notch

- **Fabrication includes:** removal of rain drip to prevent interference with door stop and weatherstrip
- **Ordering:** order width of door leaf and designate by adding "N" following the product number
- **Special:** Other half notches available are 9/16", 5/8", and 3/4" widths, please specify when ordering (Example: a 216AV with a 1/2" half notch fabrication, for a 36" door leaf = 216AVN36)



NOTE: Products shown in this section may not be drawn to scale.

AVAILABLE FINISHES FOR PRODUCTS SHOWN ON THIS PAGE (see General Information section for finish chart)  
**A** (Mill Finish Aluminum) **BDC** (Bright Dip Clear Anodized) **BDG** (Bright Dip Gold Anodized)  
**BSP** (Black Suede Powder Coated Aluminum) **D** (Dark Bronze Anodized) **G** (Gold Anodized)  
**PW** (Painted White) **SN** (Satin Nickel Anodized)



Experience a safer  
and more open world

800-824-3018 | www.pemko.com  
 Check the web site for the up-to-date catalog

Copyright © 2015-2022, ASSA ABLOY Accessories and Door Controls Group, Inc., an ASSA ABLOY Group company. All rights reserved.  
 Reproduction in whole or in part without the express written permission of ASSA ABLOY Accessories and Door Controls Group, Inc. is prohibited.

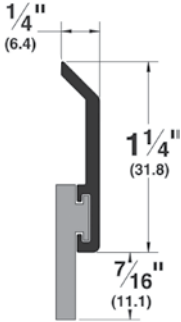


# DOOR BOTTOM SWEEPS

## 315\_N

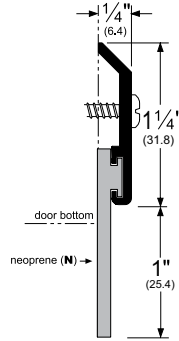
AVAILABLE FINISHES: **B, BSP, C, D, G, PW, SN**  
 REPLACEMENT INSERT: **E315 (BL)**  
 ANSI: **R3B434, R3B435**

- Currently being redesigned as a running change. Anodized finishes may be supplied in old style for a short time. Contact Customer Service with questions.



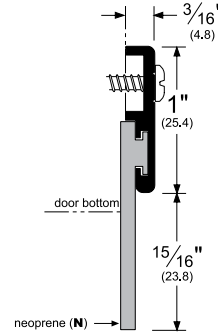
## 3151\_N

AVAILABLE FINISHES: **BSP, C, D, G**  
 REPLACEMENT INSERT: **E321 (BL)**  
 ANSI: **R3B434**



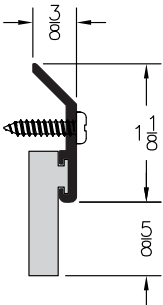
## 321\_N

AVAILABLE FINISHES: **BSP, C, D, G**  
 REPLACEMENT INSERT: **E321 (BL)**  
 ANSI: **R3B434, R3B435**



## 368\_N

AVAILABLE FINISHES: **BSP, C, D**  
 REPLACEMENT INSERT: **E368 (BL)**  
 ANSI: **R3B434, R3B435**



NOTE: Products shown in this section may not be drawn to scale.

AVAILABLE FINISHES FOR PRODUCTS SHOWN ON THIS PAGE (see General Information section for finish chart)  
**B** (Mill Finish Extruded Bronze [Brass]) **BDG** (Bright Dip Gold Anodized) **BSP** (Black Suede Powder Coated Aluminum)  
**C** (Clear Anodized) **D** (Dark Bronze Anodized) **G** (Gold Anodized) **PW** (Painted White) **SN** (Satin Nickel Anodized)

800-824-3018 | [www.pemko.com](http://www.pemko.com)  
 Check the web site for the up-to-date catalog

Copyright © 2015-2022, ASSA ABLOY Accessories and Door Controls Group, Inc., an ASSA ABLOY Group company. All rights reserved.  
 Reproduction in whole or in part without the express written permission of ASSA ABLOY Accessories and Door Controls Group, Inc. is prohibited.



Experience a safer  
and more open world

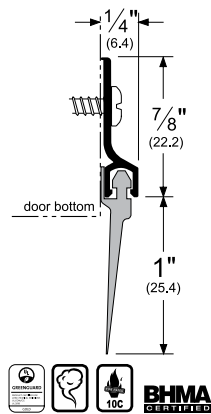
# DOOR BOTTOM SWEEPS (Cont.)

## 307\_V

AVAILABLE FINISHES:  
**A, BSP, C, D, PW**  
 REPLACEMENT INSERT:  
**EV54 (BL, GR, W)**  
 ANSI: **R3D434**

## 307\_PK

AVAILABLE FINISHES:  
**A, BSP, C, D, PW**  
 REPLACEMENT INSERT:  
**PK54 (BL, GR)**  
 ANSI: **R3G434**

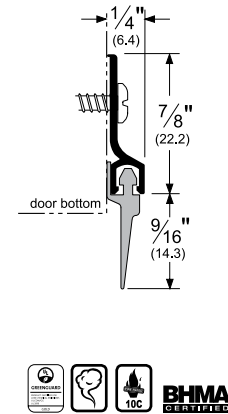


## 308\_V

AVAILABLE FINISHES:  
**A, BSP, C, D, PW**  
 REPLACEMENT INSERT:  
**EV65 (BL, GR)**  
 ANSI: **R3D434**

## 308\_PK

AVAILABLE FINISHES:  
**A, BSP, C, D, PW**  
 REPLACEMENT INSERT:  
**PK65 (BL, GR)**  
 ANSI: **R3D434**

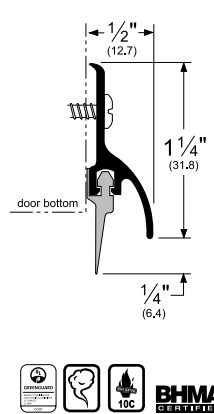


## 3452\_V

AVAILABLE FINISHES:  
**A, BSP, C, D**  
 REPLACEMENT INSERT:  
**EV65 (BL, GR, W)**  
 ANSI: **R3D534**

## 3452\_PK

AVAILABLE FINISHES:  
**A, BSP, C, D**  
 REPLACEMENT INSERT:  
**PK65 (BL, GR)**  
 ANSI: **R3G534**

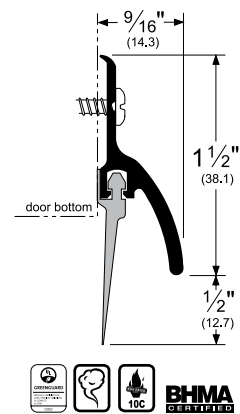


## 345\_V

AVAILABLE FINISHES:  
**A, BSP, C, D, G**  
 REPLACEMENT INSERT:  
**EV54 (BL, GR, W)**  
 ANSI: **R3D534**

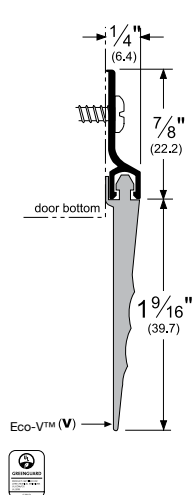
## 345\_PK

AVAILABLE FINISHES:  
**A, BSP, C, D, G**  
 REPLACEMENT INSERT:  
**PK54 (BL, GR)**  
 ANSI: **R3G534**



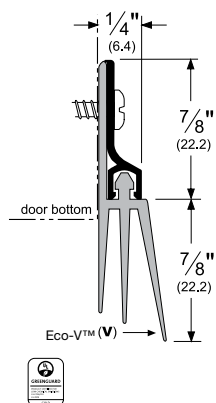
## 56\_V

AVAILABLE FINISHES:  
**A, BSP, D**  
 REPLACEMENT INSERT:  
**EV56 (BL, GR)**



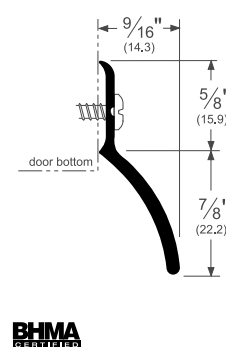
## 57\_V

AVAILABLE FINISHES:  
**A, BSP, D**  
 REPLACEMENT INSERT:  
**EV57 (BL)**



## 345\_

AVAILABLE FINISHES:  
**A, B, BSP, C, D, G**  
 ANSI: **R3Y936**



NOTE: Products shown in this section may not be drawn to scale.

AVAILABLE FINISHES FOR PRODUCTS SHOWN ON THIS PAGE (see General Information section for finish chart)  
**A** (Mill Finish Aluminum) **B** (Mill Finish Extruded Bronze [Brass]) **BDG** (Bright Dip Gold Anodized)  
**BSP** (Black Suede Powder Coated Aluminum) **C** (Clear Anodized) **D** (Dark Bronze Anodized)  
**G** (Gold Anodized) **PW** (Painted White) **SN** (Satin Nickel Anodized)



Experience a safer  
 and more open world

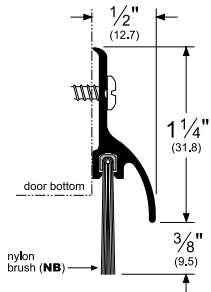
800-824-3018 | www.pemko.com  
 Check the web site for the up-to-date catalog

Copyright © 2015-2022, ASSA ABLOY Accessories and Door Controls Group, Inc., an ASSA ABLOY Group company. All rights reserved.  
 Reproduction in whole or in part without the express written permission of ASSA ABLOY Accessories and Door Controls Group, Inc. is prohibited.

# DOOR BOTTOM SWEEPS (Cont.)

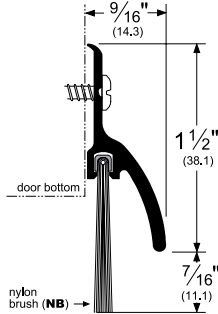
## 3452\_NB

AVAILABLE FINISHES:  
**BDG, BSP, C, D, G, PW, SN** REPLACEMENT INSERT:  
**P14075 (BL, GR)**  
 ANSI: **R3A534**



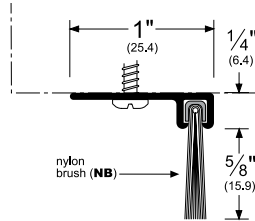
## 345\_NB

AVAILABLE FINISHES:  
**A, BDG, BSP, D, G, PW** REPLACEMENT INSERT:  
**P14100 (BL, GR)**  
 ANSI: **R3A534**



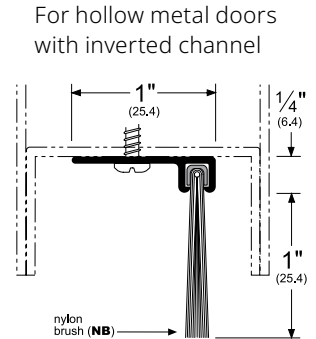
## 90062\_NB

AVAILABLE FINISHES:  
**BSP, C, D, G** REPLACEMENT INSERT:  
**P516062 (BL, GR, W)**  
 ANSI: **R3A414**



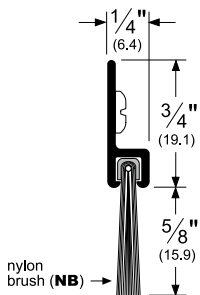
## 90100\_NB

AVAILABLE FINISHES:  
**BSP, C, D, G** REPLACEMENT INSERT:  
**P516100 (BL, GR, W)**  
 ANSI: **R3A414**



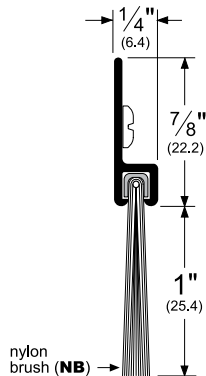
## 18061\_NB

AVAILABLE FINISHES:  
**BSP, C, D, G, SN** REPLACEMENT INSERT:  
**P51062 (BL, GR, W)**  
 ANSI: **R3A434**



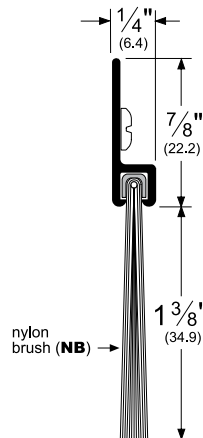
## 18100\_NB

AVAILABLE FINISHES:  
**BSP, C, D, G, PW** REPLACEMENT INSERT:  
**P38100 (BL, GR)**  
 ANSI: **R3A434**



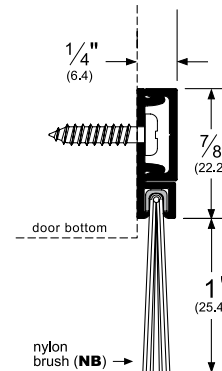
## 18137\_NB

AVAILABLE FINISHES:  
**BSP, C, D, G, PW** REPLACEMENT INSERT:  
**P38137 (BL, GR)**  
 ANSI: **R3A434**



## 293100\_NB

AVAILABLE FINISHES:  
**BSP, C, D, G** REPLACEMENT INSERT:  
**P516100 (BL, GR)**



NOTE: Products shown in this section may not be drawn to scale.

AVAILABLE FINISHES FOR PRODUCTS SHOWN ON THIS PAGE (see General Information section for finish chart)  
**A** (Mill Finish Aluminum) **BDG** (Bright Dip Gold Anodized) **BSP** (Black Suede Powder Coated Aluminum)  
**C** (Clear Anodized) **D** (Dark Bronze Anodized) **G** (Gold Anodized) **PD** (Painted Dark Bronze)  
**SN** (Satin Nickel Anodized)

800-824-3018 | www.pemko.com

Check the web site for the up-to-date catalog

Copyright © 2015-2022, ASSA ABLOY Accessories and Door Controls Group, Inc., an ASSA ABLOY Group company. All rights reserved. Reproduction in whole or in part without the express written permission of ASSA ABLOY Accessories and Door Controls Group, Inc. is prohibited.

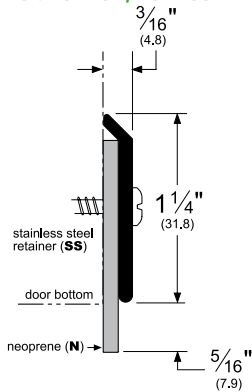
**PEMKO**  
**ASSA ABLOY**

Experience a safer  
 and more open world

# STAINLESS STEEL DOOR BOTTOM SWEEPS

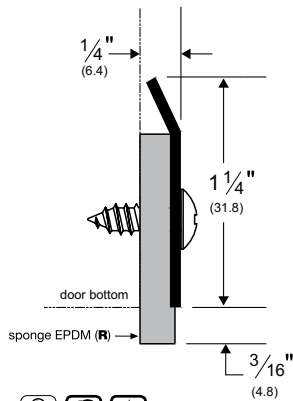
## 315SSN

AVAILABLE FINISH: **SS (#4 Finish)**  
 REPLACEMENT INSERT: **N8 (BL)**  
 ANSI: **R5B434, R5B435**



## 315SSR

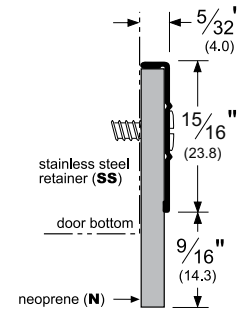
AVAILABLE FINISH: **SS (#4 Finish)**  
 REPLACEMENT INSERT: **ER2 (BL)**  
 ANSI: **R5G164, R5G165**



## 321SSN

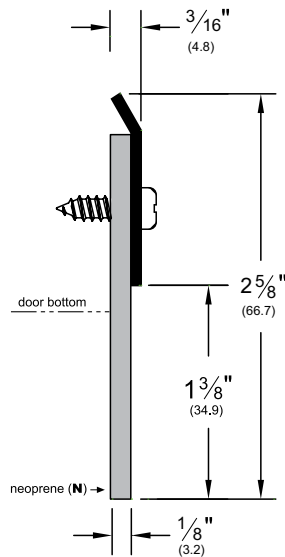
AVAILABLE FINISH: **SS**  
 REPLACEMENT INSERT: **N8 (BL)**  
 ANSI: **R5B165**

• 430 Bright Annealed SS



## 3151SSN

AVAILABLE FINISH: **SS (#4 Finish)**  
 REPLACEMENT INSERT: **N9 (BL)**  
 ANSI: **R5B434, R5B435**

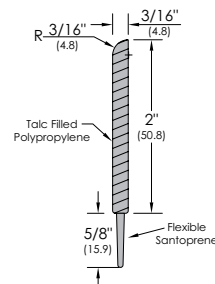


# SPECIALTY DOOR SWEEP

• Talc-filled polypropylene body with flexible PemkoPrene® fin

## SFSC200

PART NUMBER: **SFSC200**  
 AVAILABLE FINISH: **BL, GR**



NOTE: Products shown in this section may not be drawn to scale.

AVAILABLE FINISHES FOR PRODUCTS SHOWN ON THIS PAGE (see General Information section for finish chart)  
**SS** (See Individual Part)

SFSC Finishes: **BL** (Black), **GR** (Gray)



Experience a safer  
and more open world

800-824-3018 | www.pemko.com  
 Check the web site for the up-to-date catalog

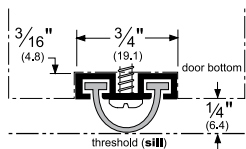
Copyright © 2015-2022, ASSA ABLOY Accessories and Door Controls Group, Inc., an ASSA ABLOY Group company. All rights reserved.  
 Reproduction in whole or in part without the express written permission of ASSA ABLOY Accessories and Door Controls Group, Inc. is prohibited.

## SPECIALTY DOOR BOTTOMS

- May be used in many different applications. Some of these shapes may be used as meeting stile gasketing; see page 174 for examples
- Supplied Net Length (as ordered)

### 313\_N

AVAILABLE FINISHES: **A, D, G**  
 REPLACEMENT INSERT:  
**E1 (BL, GR)**  
 ANSI: **R3G416**

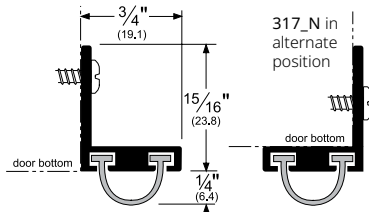


EPDM (N)



### 317\_N

AVAILABLE FINISHES: **A, BSP, D, G**  
 REPLACEMENT INSERT: **E1 (BL, GR)**  
 ANSI: **R3G416**

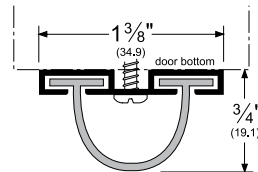


EPDM (N)



### 314\_N

AVAILABLE FINISHES: **C, D, G**  
 REPLACEMENT INSERT: **E3 (BL, GR)**  
 ANSI: **R3G416**



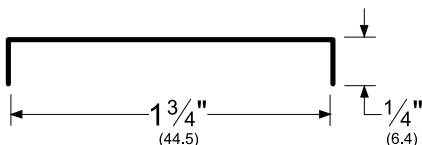
EPDM (N)



## DOOR TOP WEATHERSTRIP

### \_344

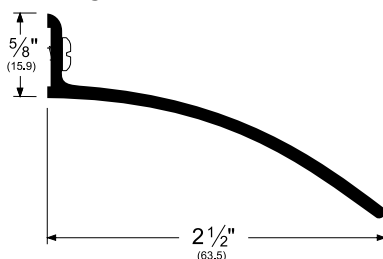
AVAILABLE FINISHES: **PA**  
 AVAILABLE LENGTHS: **36", 48"**



### 346\_

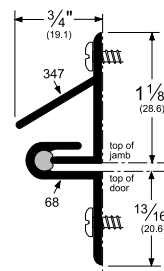
AVAILABLE FINISHES: **10BE, BSP, C, D, G, PW, WSP**

- Overhead rain drip with slotted holes
- Should be ordered a minimum of 4" longer than the door width



### 347\_68\_R

AVAILABLE FINISHES: **A, D, G**



## HEAVY DUTY DOOR BUMPER

- Heavy duty door bumper extruded from black EPDM (E)
- Order 196\_ separately; furnished undrilled unless requested otherwise

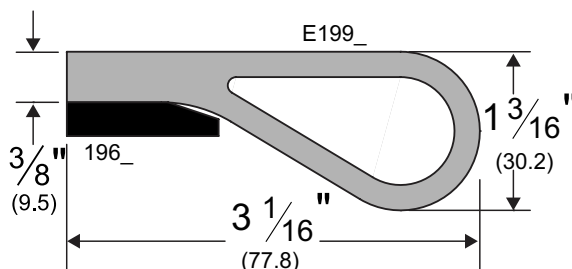
### E199\_

AVAILABLE COLOR: **BL**



### 196\_

AVAILABLE COLOR: **A**



NOTE: Products shown in this section may not be drawn to scale.

AVAILABLE FINISHES FOR PRODUCTS SHOWN ON THIS PAGE (see General Information section for finish chart)  
**10BE** (Satin Bronze Powder Coated Aluminum) **A** (Mill Finish Aluminum) **BSP** (Black Suede Powder Coated Aluminum)  
**C** (Clear Anodized) **D** (Dark Bronze Anodized) **G** (Gold Anodized) **PA** (Painted Aluminum) **PW** (Painted White)  
**WSP** (White Suede Powder Coated Aluminum)

Non-Metal Finish: **BL** (Black)

800-824-3018 | www.pemko.com

Check the web site for the up-to-date catalog

Copyright © 2015-2022, ASSA ABLOY Accessories and Door Controls Group, Inc., an ASSA ABLOY Group company. All rights reserved.  
 Reproduction in whole or in part without the express written permission of ASSA ABLOY Accessories and Door Controls Group, Inc. is prohibited.



Experience a safer  
and more open world



Experience a safer  
and more open world

800-824-3018 | [www.pemko.com](http://www.pemko.com)  
Check the web site for the up-to-date catalog

Copyright © 2015-2022, ASSA ABLOY Accessories and Door Controls Group, Inc., an ASSA ABLOY Group company. All rights reserved.  
Reproduction in whole or in part without the express written permission of ASSA ABLOY Accessories and Door Controls Group, Inc. is prohibited.

# PEMKO ASTRAGALS & MEETING STILES



## CONTENTS:

Astragal and Meeting Stile Gasketing - Split Astragals.....	168
Split Astragals with Snap Covers – Concealed Fasteners.....	170
Meeting Stile Gasketing.....	170
Adhesive Astragal/Meeting Stile Seals .....	172
Adjustable Astragals.....	172
“T” and Overlapping Astragals.....	173
Adhesive-Backed Mullion Gasketing.....	174
Adhesive Astragal Seal.....	174
Offset Security Bar and Security Astragal.....	174
Locking Astragals .....	175
Locking Wood Astragals .....	177
Outswing Locking Astragals .....	178

## INDEX:

<u>PRODUCT</u>	<u>PAGE</u>	<u>PRODUCT</u>	<u>PAGE</u>	<u>PRODUCT</u>	<u>PAGE</u>
297.....	168	358 .....	170	5110.....	174
300 .....	171	359.....	173	18041.....	169
303 .....	168	369 .....	171	18061.....	169
305 .....	168	371.....	171	29310.....	170
305SS.....	168	372 .....	171	29324.....	170
310.....	169	375.....	173	29326.....	170
311CIN.....	169	378.....	174	34831 .....	177
313.....	170	3443.....	178	FIR349.....	175
314.....	170	3444.....	178	OAK349.....	175
316.....	169	3481.....	177	Q108 .....	177
351.....	172	3483.....	177	S771 .....	172
352 .....	173	3493.....	174	S771x6.....	172
354 .....	172	3494.....	174	S772 .....	172
355 .....	173	3495.....	176	S1125 .....	174
356 .....	173	3496.....	176		
357 .....	173	3572.....	174		

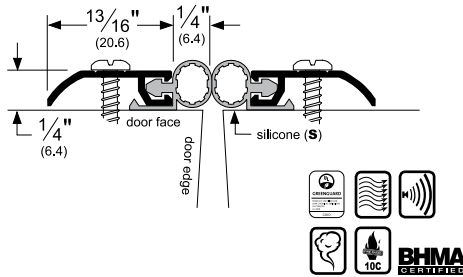
# ASTRAGAL AND MEETING STILE GASKETING – SPLIT ASTRAGALS

- Astragals and meeting stiles with a fire label may be mounted on pairs of doors wherein the gap meets the requirements of **NFPA 80, 6.3.1.7.1 "The clearance between... the meeting edges of doors swinging in pairs on the pull side shall be 1/8" ± 1/16" (3.18mm ± 1.59mm) for steel doors and shall not exceed 1/8" (3.18mm) for wood doors"**
- Order split astragals at two (2) pieces by door height per set of double doors. When ordering add "/2" to the end of the part number to specify 2 pieces (i.e. order quantity 1 each

- 303AS84/2 to get two lengths at 84 inches
- Punched with slotted holes for adjustment
- Clear anodized brush products are supplied with gray brush. Painted white brush products are supplied with white brush when available, otherwise black brush is supplied. All other finishes supplied with black brush. Black brush is available for clear anodized and painted white brush products upon request.

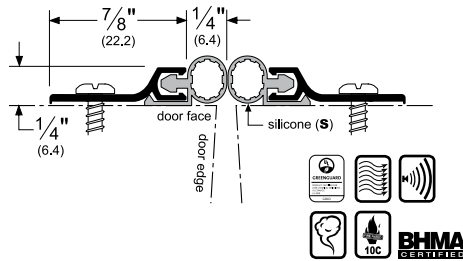
## 297\_S

AVAILABLE FINISHES:  
**10BE, A, BDG, BSP, D, G, PW, SN, WSP**  
 REPLACEMENT INSERT:  
**S3 (BL, W)**  
 ANSI: **R3E734, R3E735**



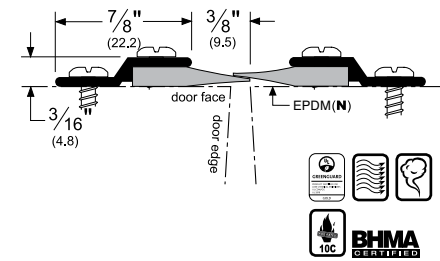
## 303\_S

AVAILABLE FINISHES:  
**10BE, A, BSP, C, D, G, PW, SN, WSP**  
 REPLACEMENT INSERT:  
**S3 (BL, W)**  
 ANSI: **R3E734, R3E735**



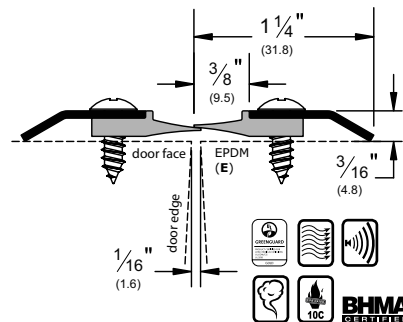
## 305\_N

AVAILABLE FINISHES:  
**10BE, B, BSP, C, D, G, WSP**  
 REPLACEMENT INSERT:  
**E2 (BL, GR)**  
 ANSI: **R3G734, R3G735**



## 305SSE

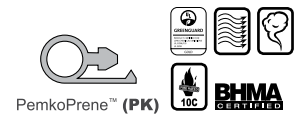
AVAILABLE FINISHES:  
**SS (#4 Finish)**  
 REPLACEMENT INSERT:  
**E2 (BL, GR)**  
 ANSI: **R5G734, R5G735**



### Alternate Inserts For 297

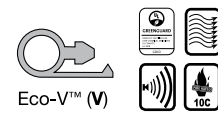
#### 297\_PK

AVAILABLE FINISHES:  
**10BE, A, BDG, BSP, D, G, PW, SN, WSP**  
 REPLACEMENT INSERT:  
**PK47 (BL, GR)**  
 ANSI: **R3G734, R3G735**



#### 297\_V

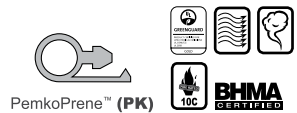
AVAILABLE FINISHES:  
**10BE, A, BDG, BSP, D, G, PW, SN, WSP**  
 REPLACEMENT INSERT:  
**EV47 (BL, GR, W)**



### Alternate Inserts For 303

#### 303\_PK

AVAILABLE FINISHES:  
**10BE, A, BSP, C, D, G, PW, SN, WSP**  
 REPLACEMENT INSERT:  
**PK47 (BL, GR)**  
 ANSI: **R3G734**



#### 303\_V

AVAILABLE FINISHES:  
**10BE, A, BSP, C, D, G, PW, SN, WSP**  
 REPLACEMENT INSERT:  
**EV47 (BL, GR, W)**



AVAILABLE FINISHES FOR PRODUCTS SHOWN ON THIS PAGE (see General Information section for finish chart)  
**10BE** (Satin Bronze Powder Coated Aluminum) **A** (Mill Finish Aluminum) **BDG** (Bright Dip Gold Anodized)  
**BSP** (Black Suede Powder Coated Aluminum) **C** (Clear Anodized) **D** (Dark Bronze Anodized) **G** (Gold Anodized)  
**PW** (Painted White) **SN** (Satin Nickel Anodized) **WSP** (White Suede Powder Coated Aluminum)  
 Special finishes available upon request



Experience a safer and more open world

800-824-3018 | www.pemko.com  
 Check the web site for the up-to-date catalog

Copyright © 2015-2022, ASSA ABLOY Accessories and Door Controls Group, Inc., an ASSA ABLOY Group company. All rights reserved. Reproduction in whole or in part without the express written permission of ASSA ABLOY Accessories and Door Controls Group, Inc. is prohibited.



# ASTRAGAL AND MEETING STILE GASKETING – SPLIT ASTRAGALS (Cont.)

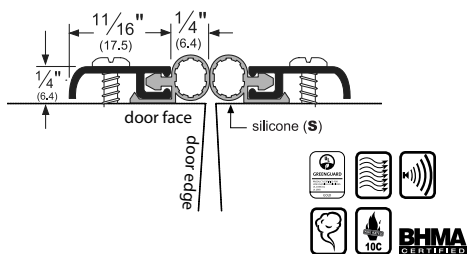
## 316\_S

AVAILABLE FINISHES:

**10BE, A, BDG, BSP, D, G, WSP**

REPLACEMENT INSERT: **S3 (BL, W)**

ANSI: **R3E734, R3E735**



### Alternate Inserts For 316

#### 316\_PK

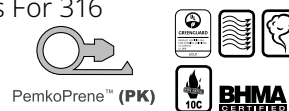
AVAILABLE FINISHES:

**A, BDG, D, G**

REPLACEMENT INSERT:

**PK47 (BL, GR)**

ANSI: **R3G734, R3G735**



#### 316\_V

AVAILABLE FINISHES:

**A, BDG, D, G**

REPLACEMENT INSERT:

**EV47 (BL, GR, W)**



## 18041\_NB

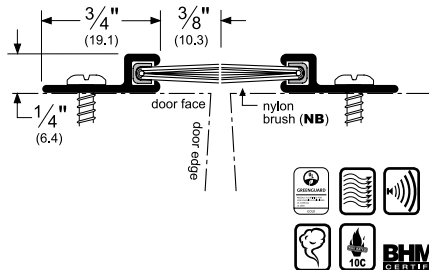
AVAILABLE FINISHES:

**10BE, C, BSP, D, G, SN, WSP**

REPLACEMENT INSERT: **P516041 (BL, GR)**

ANSI: **R3A734**

NOTE: Brush should mesh from 1/32" to 1/16".



### Alternate Inserts For 18041

#### 18041\_SB

AVAILABLE FINISHES:

**C, D, G, SN**

REPLACEMENT INSERT:

**P3 (BL, GR)**



## 18061\_NB

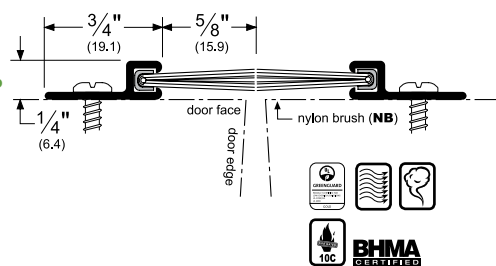
AVAILABLE FINISHES:

**10BE, C, BSP, D, G, SN, WSP**

REPLACEMENT INSERT: **P516062 (BL, GR, W)**

ANSI: **R3A734**

NOTE: Brush should mesh from 1/32" to 1/16".



## 310\_\*

### 311CIN

AVAILABLE FINISHES:

**C**

Material required for one pair of doors:

4 ea. 310 bars and

2 ea. 311CIN cloth

inserted

rubber pieces

- Specify 311CIN3.75 for

1 3/4" thick doors

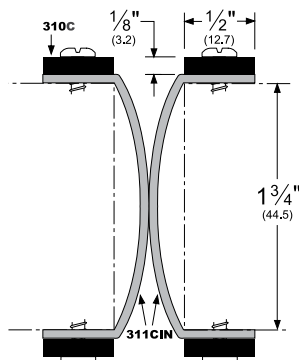
- Specify 311CIN4.00 for

2" thick doors

- Specify 311CIN4.25 for

2 1/4" thick doors

\* Sold individually



AVAILABLE FINISHES FOR PRODUCTS SHOWN ON THIS PAGE (see General Information section for finish chart)

**10BE** (Satin Bronze Powder Coated Aluminum) **A** (Mill Finish Aluminum) **BDG** (Bright Dip Gold Anodized)

**BSP** (Black Suede Powder Coated Aluminum) **C** (Clear Anodized) **D** (Dark Bronze Anodized) **G** (Gold Anodized)

**PW** (Painted White) **SN** (Satin Nickel Anodized) **WSP** (White Suede Powder Coated Aluminum)

Special finishes available upon request

800-824-3018 | www.pemko.com

Check the web site for the up-to-date catalog

Copyright © 2015-2022, ASSA ABLOY Accessories and Door Controls Group, Inc., an ASSA ABLOY Group company. All rights reserved. Reproduction in whole or in part without the express written permission of ASSA ABLOY Accessories and Door Controls Group, Inc. is prohibited.

**PEMKO**  
**ASSA ABLOY**

Experience a safer  
and more open world

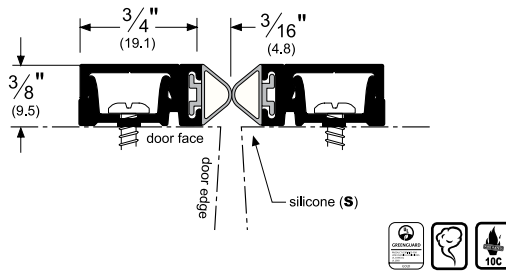
# SPLIT ASTRAGALS WITH SNAP COVERS – CONCEALED FASTENERS

• Snap cover helps prevent vandalism and adds an attractive finished look by concealing the fasteners

• Replacement snap cover part number is \_29316. Please specify finish and length when ordering.

## 29310\_S

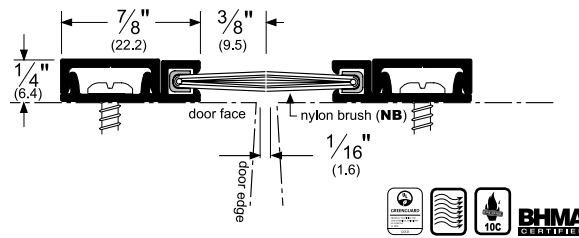
AVAILABLE FINISHES:  
**10BE, C, BSP, D, G, WSP**  
REPLACEMENT INSERT:  
**S4 (BL, GR)**  
ANSI: **R3E734**



## 29324\_NB

AVAILABLE FINISHES:  
**10BE, C, BSP, D, G, WSP**  
REPLACEMENT INSERT:  
**P516041 (BL, GR)**  
ANSI: **R3A434**

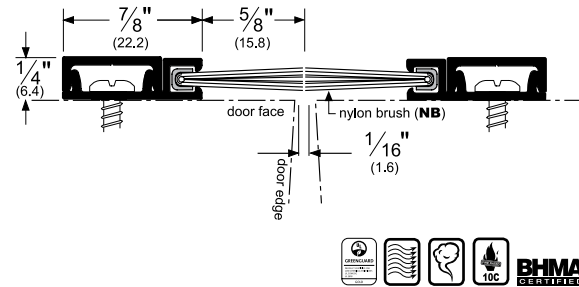
NOTE: Brush should mesh from 1/32" to 1/16".



## 29326\_NB

AVAILABLE FINISHES:  
**10BE, C, BSP, D, G, WSP**  
REPLACEMENT INSERT:  
**P516062 (BL, GR, W)**  
ANSI: **R3A164, R3A165**

NOTE: Brush should mesh from 1/32" to 1/16".



### Alternate Inserts For 29310

#### 29310\_PK

AVAILABLE FINISHES:  
**C, D, G**  
REPLACEMENT INSERT:  
**PK4 (BL, GR)**  
ANSI: **R3G734**



#### 29310\_P

AVAILABLE FINISHES:  
**C, D, G**  
REPLACEMENT INSERT:  
**P2 (BL, GR)**



#### 29310\_V

AVAILABLE FINISHES:  
**C, D, G**  
REPLACEMENT INSERT:  
**EV41 (BL, GR, W)**



### Alternate Inserts For 29324

#### 29324\_SB

AVAILABLE FINISHES:  
**C, D, G**  
REPLACEMENT INSERT:  
**P3 (BL, GR)**



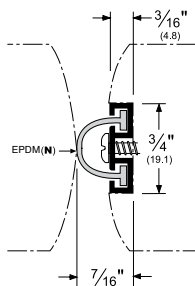
## MEETING STILE GASKETING

• These products do not work well on beveled-edge pairs of doors

### 313\_N

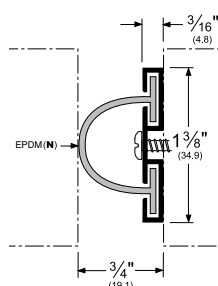
AVAILABLE FINISHES:  
**A, D, G**  
REPLACEMENT INSERT:  
**E1 (BL, GR)**

NOTE: Recommended radius is 1-7/8"



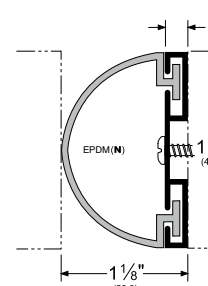
### 314\_N

AVAILABLE FINISHES:  
**C, D, G**  
REPLACEMENT INSERT:  
**E3 (BL, GR)**



### 358\_N

AVAILABLE FINISHES:  
**C, D, G**  
REPLACEMENT INSERT:  
**E6 (BL, GR)**



AVAILABLE FINISHES FOR PRODUCTS SHOWN ON THIS PAGE (see General Information section for finish chart)  
**10BE** (Satin Bronze Powder Coated Aluminum) **A** (Mill Finish Aluminum) **BSP** (Black Suede Powder Coated Aluminum)  
**C** (Clear Anodized) **D** (Dark Bronze Anodized) **G** (Gold Anodized) **WSP** (White Suede Powder Coated Aluminum)  
Special finishes available upon request

800-824-3018 | www.pemko.com

Check the web site for the up-to-date catalog

Experience a safer  
and more open world

Copyright © 2015-2022, ASSA ABLOY Accessories and Door Controls Group, Inc., an ASSA ABLOY Group company. All rights reserved.  
Reproduction in whole or in part without the express written permission of ASSA ABLOY Accessories and Door Controls Group, Inc. is prohibited.

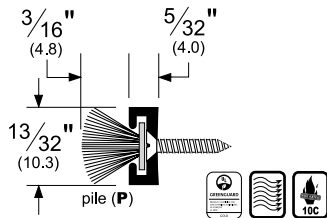
# MEETING STILE GASKETING (Cont.)

• Astragals/Meeting Stiles with a fire label may be mounted on pairs of doors wherein the gap meets the requirements of NFPA 80, 2-5.4

• These products (except \_71) do not work well on beveled-edge pairs of doors

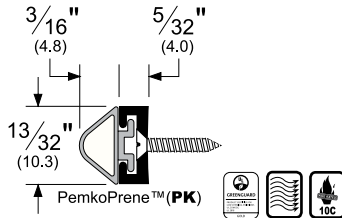
## 369\_P

AVAILABLE FINISHES: **A, D, G**  
REPLACEMENT INSERT: **P2 (BL, GR)**



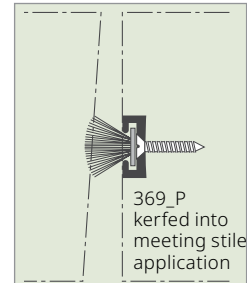
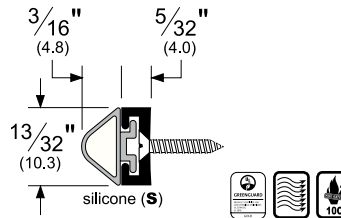
## 369\_PK

AVAILABLE FINISHES: **A, D, G**  
REPLACEMENT INSERT: **PK4 (BL, GR)**



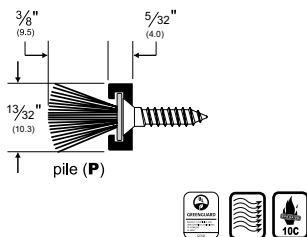
## 369\_S

AVAILABLE FINISHES: **A, D, G**  
REPLACEMENT INSERT: **S4 (BL, GR)**



## 369\_P4

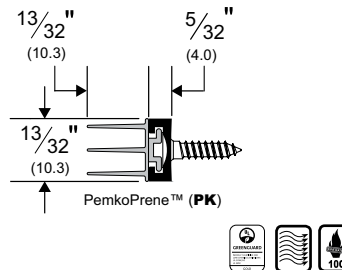
AVAILABLE FINISHES: **A, D, G**  
REPLACEMENT INSERT: **P4 (BL)**



## 369\_PK773

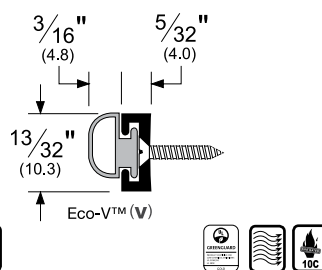
AVAILABLE FINISHES: **A, D, G**  
REPLACEMENT INSERT: **PK773 (BL)**

• Gasket only available in 36" or 49" lengths and will be spliced a continuous metal retainer



## 369\_V

AVAILABLE FINISHES: **A, D, G**  
REPLACEMENT INSERT: **EV41 (BL, GR, W)**



## A371P (1/4" pile)

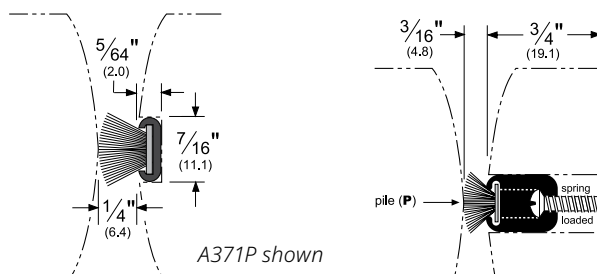
## A372P (3/8" pile)

- Available in 84" and 96" lengths
- Available with gray pile only
- Fasten with nails or staples through pile and backing, or use adhesive. Fasteners not supplied
- Pile and backing do not separate

## 300\_P

AVAILABLE FINISHES: **B, C, D, G**  
REPLACEMENT INSERT: **P2 (BL, GR)**

- For a 3/8" gap (or smaller) between doors
- Spring-loaded from back side



AVAILABLE FINISHES FOR PRODUCTS SHOWN ON THIS PAGE (see General Information section for finish chart)  
**A** (Mill Finish Aluminum) **B** (Mill Finish Extruded Bronze [Brass]) **B** (Hemmed Spring Bronze) **C** (Clear Anodized)  
**D** (Dark Bronze Anodized) **G** (Gold Anodized) **SS** (Stainless Steel) Special finishes available upon request

800-824-3018 | [www.pemko.com](http://www.pemko.com)

Check the web site for the up-to-date catalog

Copyright © 2015-2022, ASSA ABLOY Accessories and Door Controls Group, Inc., an ASSA ABLOY Group company. All rights reserved. Reproduction in whole or in part without the express written permission of ASSA ABLOY Accessories and Door Controls Group, Inc. is prohibited.

**PEMKO**  
**ASSA ABLOY**

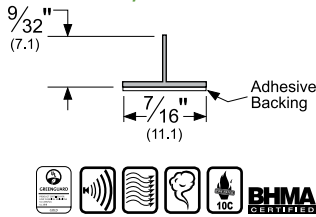
Experience a safer  
and more open world

## ADHESIVE ASTRAGAL/MEETING STILE SEALS

- The **S771** and **S772** astragal/meeting stile seals can be installed on virtually any pair of doors where sound attenuation is required. These products seal the opening to prevent heat loss, retard the passage of smoke, and act as a weatherization product
- Excellent resistance to compression set, particularly at elevated temperatures and for extended periods of time
- Stays flexible between -58°F and 450°F with very high resistance to flex fatigue
- Maintains a low closing force
- Easy installation requires no mechanical fasteners; can be cut to size in the field

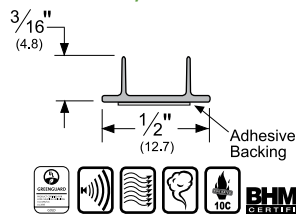
### S771\_

AVAILABLE FINISHES: **BL, C, D, GR, W**  
 AVAILABLE LENGTHS: **7', 8', 9', 10'**  
 ANSI: **ROE754, ROE755**



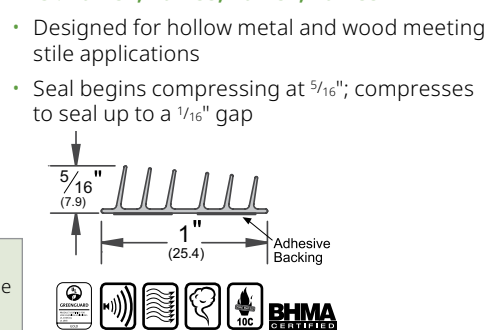
### S772\_

AVAILABLE FINISHES: **BL, C, D, GR, W**  
 AVAILABLE LENGTHS: **7', 8', 9', 10'**  
 ANSI: **ROE754, ROE755**



### S771x6\_

AVAILABLE FINISHES: **BL, C**  
 AVAILABLE LENGTHS: **7', 8', 9', 10'**  
 ANSI: **ROE154, ROE155, ROE754, ROE755**



#### Notes For All Adhesive Gasketing:

Storage and shelf life: All adhesive gaskets have a limited shelf life. This product must be installed within 6 months of purchase and must be stored between 50°F and 100°F. For further notes/details, please see Adhesive Gasketing section.

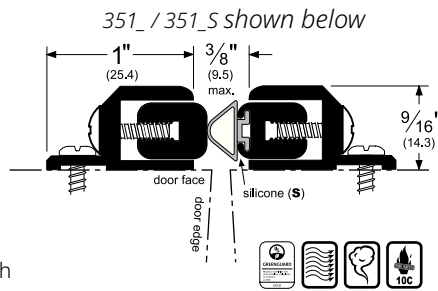
## ADJUSTABLE ASTRAGALS

- Available in 84", 96" and 120" lengths
- When used as split astragals on double doors, two lengths must be ordered: one for each door
- If you require split astragals in a metal to gasket configuration, you must order using part number 351\_/351\_S where "S" can be any gasket designation shown in this section and "\_" is your desired finish

### 351\_S

AVAILABLE FINISHES:  
**10BE, B, BSP, C, D, G, WSP**  
 REPLACEMENT INSERT:  
**S4 (BL, GR)**

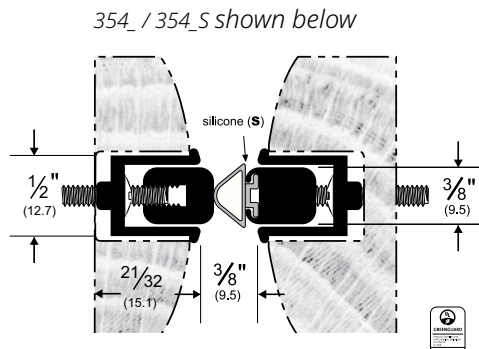
- Surface applied
- For use with square-edge or bevel-edge doors
- 351\_S (et al) is one single piece; order 351\_/351\_S to receive both pieces as in drawing



### 354\_S

AVAILABLE FINISHES:  
**10BE, B, BSP, C, D, G, WSP**  
 REPLACEMENT INSERT:  
**S4 (BL, GR)**

- Fully mortised
- Designed for use with bullnose doors
- 354\_S (et al) is one single piece; order 354\_/354\_S to receive both pieces as in drawing



#### Alternate Inserts For 351

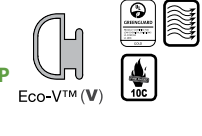
##### 351\_PK

AVAILABLE FINISHES:  
**10BE, B, BSP, C, D, G, WSP**  
 REPLACEMENT INSERT:  
**PK4 (BL, GR)**



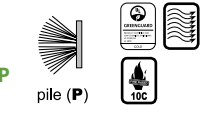
##### 351\_V

AVAILABLE FINISHES:  
**10BE, B, BSP, C, D, G, WSP**  
 REPLACEMENT INSERT:  
**EV41 (BL, GR, W)**



##### 351\_P

AVAILABLE FINISHES:  
**10BE, B, BSP, C, D, G, WSP**  
 REPLACEMENT INSERT:  
**P2 (BL, GR)**



#### Alternate Inserts For 354

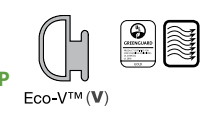
##### 354\_PK

AVAILABLE FINISHES:  
**10BE, B, BSP, C, D, G, WSP**  
 REPLACEMENT INSERT:  
**PK4 (BL, GR)**



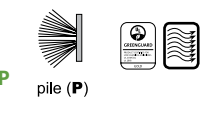
##### 354\_V

AVAILABLE FINISHES:  
**10BE, B, BSP, C, D, G, WSP**  
 REPLACEMENT INSERT:  
**EV41 (BL, GR, W)**



##### 354\_P

AVAILABLE FINISHES:  
**10BE, B, BSP, C, D, G, WSP**  
 REPLACEMENT INSERT:  
**P2 (BL, GR)**



AVAILABLE FINISHES FOR PRODUCTS SHOWN ON THIS PAGE (see General Information section for finish chart)

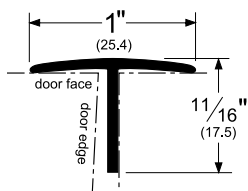
**10BE** (Satin Bronze Powder Coated Aluminum) **B** (Mill Finish Extruded Bronze [Brass]) **BSP** (Black Suede Powder Coated Aluminum) **C** (Clear Anodized) **D** (Dark Bronze Anodized) **G** (Gold Anodized) **WSP** (White Suede Powder Coated Aluminum)  
 Special finishes available upon request  
 Gasket colors: **BL** (Black) **C** (Clear) **D** (Dark) **GR** (Gray) **W** (White)



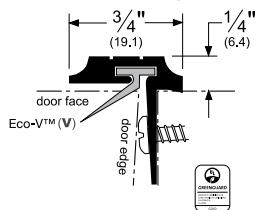
Experience a safer  
 and more open world

# "T" AND OVERLAPPING ASTRAGALS

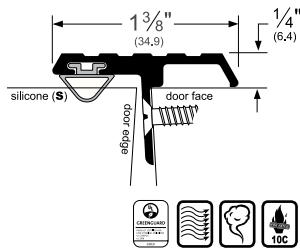
**359\_**  
 AVAILABLE FINISHES: **10BE, A, BDG, BSP, D, WSP**  
 • Supplied with weatherstrip nails for installation



**356\_V**  
 AVAILABLE FINISHES: **10BE, A, BDG, BSP, D, PW, SN, WSP**  
 REPLACEMENT INSERT: **EV17 (BL, GR, W)**  
 • Countersink drilling with countersunk flathead screws also available upon request at no extra charge



**355\_S**  
 AVAILABLE FINISHES: **10BE, B, BDG, BSP, C, D, G, PW, SN, WSP**  
 REPLACEMENT INSERT: **S4 (BL, GR)**

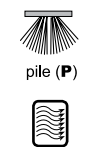


Alternate Inserts  
 For 355

**355\_V**  
 AVAILABLE FINISHES: **10BE, B, BDG, BSP, C, D, G, PW, SN, WSP**  
 REPLACEMENT INSERT: **EV7 (BL, GR, W)**



**355\_P**  
 AVAILABLE FINISHES: **10BE, B, BDG, BSP, C, D, G, PW, SN, WSP**  
 REPLACEMENT INSERT: **P2 (BL, GR)**

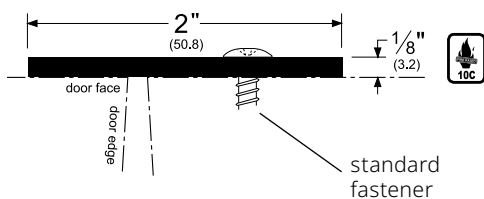


**355\_PK**  
 AVAILABLE FINISHES: **B, BDG, BSP, C, D, G, PW, SN**  
 REPLACEMENT INSERT: **PK7 (BL, GR, W)**



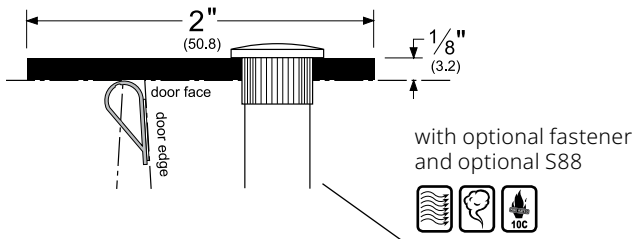
**357\_**  
**357\_ND**  
 AVAILABLE FINISHES: **10BE, BSP, C, D, SP, SPBSP, SPWSP, SS**  
 (#4 Finish & #4 Edge)

**11 GAUGE**  
 • "ND" denotes "no drill" (unless specified "ND", astragals are drilled)  
 • Standard fastener is #10 x 1" Truss Head SMS  
 • Lead-line option available

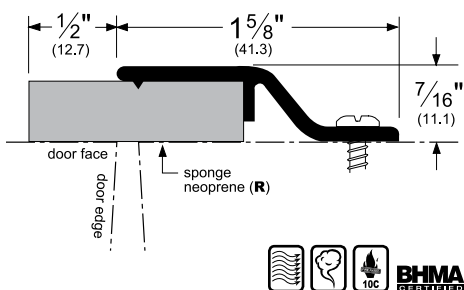


**357\_ with S88**  
 AVAILABLE FINISHES: **SP, SS** (#4 Finish & #4 Edge)

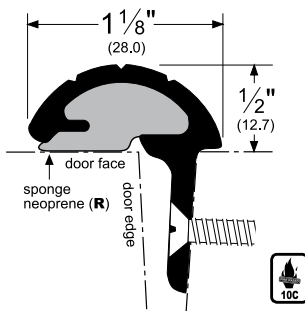
**11 GAUGE**  
 • Standard fastener is #10 x 1" Truss Head SMS  
 • 1/4" - 20 machine screws and thru-bolts must be ordered separately at additional cost  
 • S88 seal must be ordered separately at an additional cost, if required



**375\_R**  
 AVAILABLE FINISHES: **10BE, BSP, C, D, WSP**  
 REPLACEMENT INSERT: **ER6 (BL)**  
 ANSI: **R3C634, R3C635**



**352\_R**  
 AVAILABLE FINISHES: **C, D**  
 REPLACEMENT INSERT: **R8 (BL)**  
 For reverse bevel doors



AVAILABLE FINISHES FOR PRODUCTS SHOWN ON THIS PAGE (see General Information section for finish chart)  
**10BE** (Satin Bronze Powder Coated Aluminum) **A** (Mill Finish Aluminum) **B** (Mill Finish Extruded Bronze [Brass])  
**BDG** (Bright Dip Gold Anodized) **C** (Clear Anodized) **BSP** (Black Suede Powder Coated Aluminum) **D** (Dark Bronze Anodized)  
**G** (Gold Anodized) **PW** (Painted White) **SN** (Satin Nickel Anodized) **SP** (Galvannealed Steel)  
**SPBSP** (Black Suede Powder Coated Steel) **SPWSP** (White Suede Powder Coated Steel) **SS** (See Individual Part)  
**WSP** (White Suede Powder Coated Aluminum) Special finishes available upon request

800-824-3018 | www.pemko.com

Check the web site for the up-to-date catalog

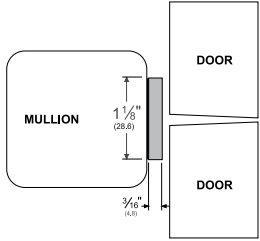
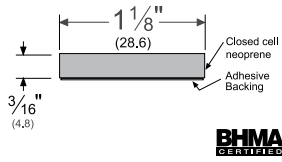
Copyright © 2015-2022, ASSA ABLOY Accessories and Door Controls Group, Inc., an ASSA ABLOY Group company. All rights reserved.  
 Reproduction in whole or in part without the express written permission of ASSA ABLOY Accessories and Door Controls Group, Inc. is prohibited.

**PEMKO**  
**ASSA ABLOY**

Experience a safer  
 and more open world

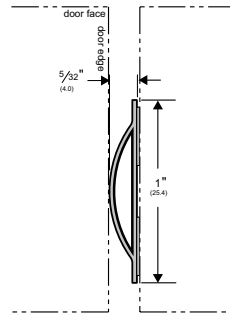
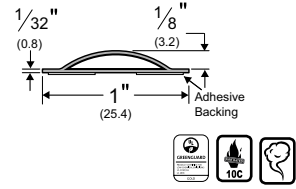
## ADHESIVE-BACKED MULLION GASKETING

**5110\_**  
 AVAILABLE FINISH: **BL**  
 AVAILABLE LENGTHS: **120"**  
 ANSI: **R0C004**



## ADHESIVE ASTRAGAL SEAL

**S1125\_**  
 AVAILABLE FINISH: **D**  
 AVAILABLE LENGTHS: **7, 8, 10**

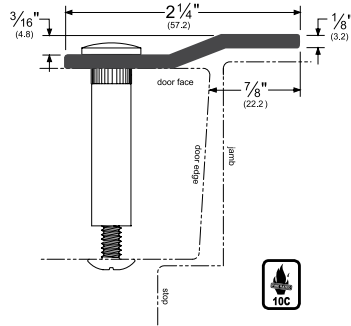


## OFFSET SECURITY BAR

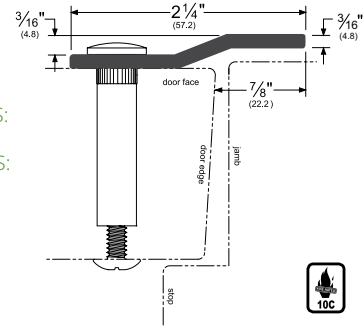
- For use on single outswing wood or metal doors
- Covers gap between the door and jamb for the full door height, preventing prying and manipulation

- 3572\_ supplied drilled 12" on center with 1/4" holes; "ND" denotes "no drill"

**3572\_**  
**3572\_ND**  
 AVAILABLE FINISHES:  
**SP, SPBSP, SPWSP,**  
**SS (#4 Finish & #4 Edge)**  
 AVAILABLE LENGTHS:  
**80", 84" and 96"**  
**10 GAUGE**



**3572PP7**  
**3572PP7ND**  
 AVAILABLE FINISHES:  
**PP**  
 AVAILABLE LENGTHS:  
**84"**  
**7 GAUGE**

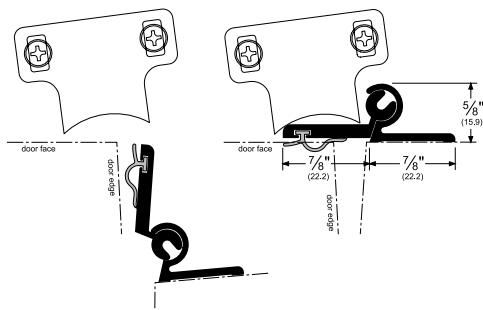


## SECURITY ASTRAGAL

- Automatic security astragal for outswing pairs of wood and metal doors
- Discourages manipulation of panic-type hardware
- Astragal is held flush against other door by 1/2" thick cam mounted to header (cam and mounting screws included); for replacement cam order K378 kit
- Anodized aluminum with Eco-V™ seal and stainless steel operating spring

- Either door may be active without requiring a coordinator
- Parts can be trimmed 12" maximum from each end
- Should be mounted prior to attaching panic hardware to eliminate the problem of interference
- Must be installed on the inside and top of a pair of outswing doors
- Longest length available is 96"

**378\_**  
 AVAILABLE FINISHES:  
**C, D, G**  
 REPLACEMENT INSERT:  
**EV23 (BL)**  
 AVAILABLE LENGTHS:  
**86", 96"**



AVAILABLE FINISHES FOR PRODUCTS SHOWN ON THIS PAGE (see General Information section for finish chart)  
**BL**(Black) **C**(Clear Anodized) **D**(Dark Bronze Anodized) **G**(Gold Anodized) **PP**(Prime Painted)  
**SP**(Galvanized Steel) **SS**(See Individual Part) **SPBSP**(Black Suede Powder Coated Steel)  
**SPWSP**(White Suede Powder Coated Steel) Special finishes available upon request

800-824-3018 | www.pemko.com

Check the web site for the up-to-date catalog

Experience a safer  
 and more open world

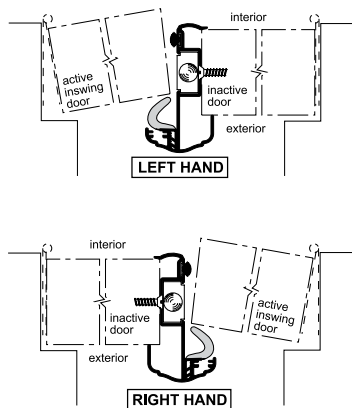
Copyright © 2015-2022, ASSA ABLOY Accessories and Door Controls Group, Inc., an ASSA ABLOY Group company. All rights reserved.  
 Reproduction in whole or in part without the express written permission of ASSA ABLOY Accessories and Door Controls Group, Inc. is prohibited.

# LOCKING ASTRAGALS

- Weatherstripped astragals with locking spring bolts or slide bolts for 1 3/4" inswing double doors
- Odd numbered astragals have economical smooth acting slide bolts. Slide bolts are 4" from the top/bottom standard; optional 18" slide bolt is available for easier access. Even numbered astragals have locking spring bolts. Both have full 3/8" diameter steel bolts with 1 1/16" throw. In the extended and locked position, locking spring bolts cannot be easily retracted by tampering. In the retracted position, the spring loaded bolts latch firmly, preventing marking of the floor and door header trim when opening or closing the inactive door
- Styles **3493** thru **3498** come with a molded sponge neoprene bottom seal
- All feature four-way adjustable strike plate mounting for latchbolt and deadbolt
- All come with a Eco-V™ snap-in cover strip to conceal the cutout and cover the mounting screws
- Astragal stock lengths are 80", 84", 96" and 120"
- A standard deadbolt punchout is 3/4" x 4" at 40" on center Punchout supplied on request only
- For non-stock astragals, specify deadbolt punchout size and center distance from top end
- Specify handing using the handing chart on page 181 or 184

## Handing Chart For Astragals (For pages 181 thru 184)

- An astragal is handed by the hand of the active door. The hand of the active door is determined by the position of the hinges on the door, when viewed from the outside (the key side)



### Slimline style with slide bolt 3493\_S

REPLACEMENT INSERT: **S4 (BL, GR)**  
3493\_V

REPLACEMENT INSERT: **EV41 (BL, W)**

AVAILABLE FINISHES:

**BDG, C, D, G, PW**

- **3493** also available with 18" slide bolt (at additional cost) for easier access (specify "L" at the end of the product number for this option i.e. **3493\_VL**)

### Slimline style with locking spring bolt 3494\_S

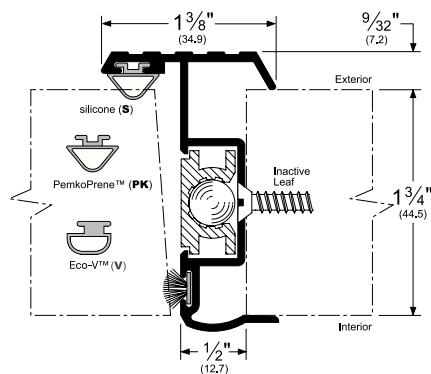
REPLACEMENT INSERT: **S4 (BL, GR)**  
3494\_V

REPLACEMENT INSERT: **EV41 (BL, W)**

AVAILABLE FINISHES:

**BDG, C, D, G, PW**

### Slimline Style

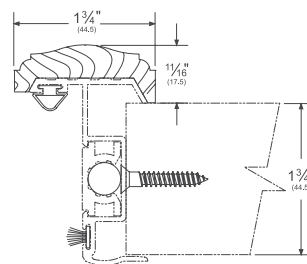


### Oak Fascia

OAK349-96

### Fir Fascia

FIR349-96



- Available in 96" length only
- The fascia is attached to the face of 3493/3494 locking metal astragals, providing a aesthetic appearance while utilizing the mechanical advantages of the locking metal astragals
- The fascia is supplied unfinished to allow for custom matching

AVAILABLE FINISHES FOR PRODUCTS SHOWN ON THIS PAGE (see General Information section for finish chart)  
**BDG** (Bright Dip Gold Anodized) **C** (Clear Anodized) **D** (Dark Bronze Anodized) **G** (Gold Anodized) **PW** (White)  
Special finishes available upon request

800-824-3018 | www.pemko.com

Check the web site for the up-to-date catalog

Copyright © 2015-2022, ASSA ABLOY Accessories and Door Controls Group, Inc., an ASSA ABLOY Group company. All rights reserved.  
Reproduction in whole or in part without the express written permission of ASSA ABLOY Accessories and Door Controls Group, Inc. is prohibited.

**PEMKO**  
**ASSA ABLOY**

Experience a safer  
and more open world



# LOCKING ASTRAGALS

## Colonial Style

Colonial style with slide bolt

3495\_M

REPLACEMENT INSERT: **MAG349 (D, W)**

3495\_Q

REPLACEMENT INSERT: **Q102 (D, W)**

AVAILABLE FINISHES: **BDG, C, D, PW**

• 3495 available with 18" aluminum bar; specify "L" at the end of product number (i.e. 3498\_Q96L)

Colonial style with locking spring bolt

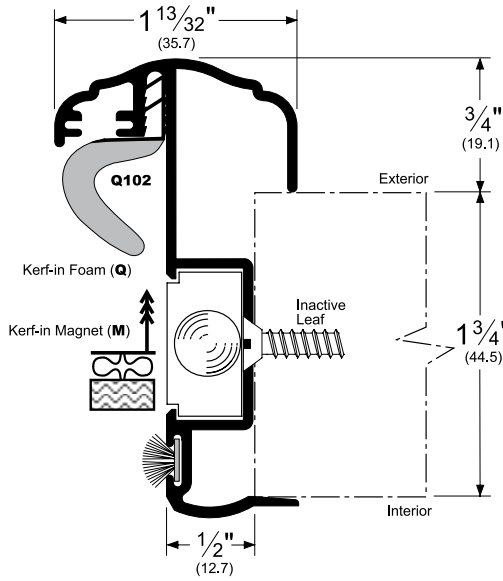
3496\_M

REPLACEMENT INSERT: **MAG349 (D, W)**

3496\_Q

REPLACEMENT INSERT: **Q102 (D, W)**

AVAILABLE FINISHES: **BDG, C, D, G, PW**



**Q108\_**  
 AVAILABLE FINISHES:  
**BL, W**  
 Available with Q108 insert only upon request

AVAILABLE FINISHES FOR PRODUCTS SHOWN ON THIS PAGE (see General Information section for finish chart)  
**BDG** (Bright Dip Gold Anodized) **C** (Clear Anodized) **D** (Dark Bronze Anodized) **G** (Gold Anodized)  
**PW** (White) Special finishes available upon request Kerf Colors: **BL** (Black) **W** (White)



Experience a safer and more open world

800-824-3018 | [www.pemko.com](http://www.pemko.com)  
 Check the web site for the up-to-date catalog

Copyright © 2015-2022, ASSA ABLOY Accessories and Door Controls Group, Inc., an ASSA ABLOY Group company. All rights reserved. Reproduction in whole or in part without the express written permission of ASSA ABLOY Accessories and Door Controls Group, Inc. is prohibited.



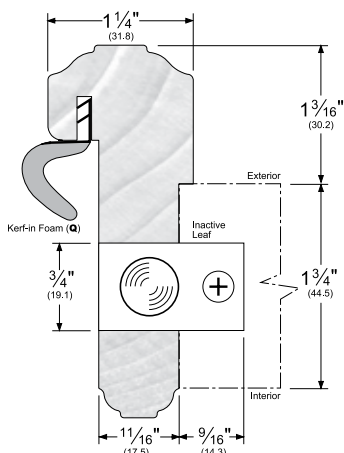
## LOCKING WOOD ASTRAGALS

- Fir and Oak are clear, stain grade with no knots on visible surfaces
- **3481**'s are supplied with a hardware kit including:  
Two (2) bright brass sliding type flush bolt assemblies

### 3481\_Q

AVAILABLE FINISHES:

**FIR, OAK**



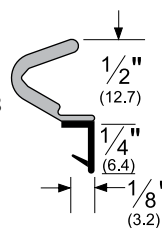
- (<sup>5</sup>/<sub>16</sub>" diameter x 1" long throw bolt) and one <sup>1</sup>/<sub>2</sub>" thick sponge neoprene bottom seal with double faced adhesive for attachment (non-handed)

### Q108\_

AVAILABLE FINISHES:

**BL, W**

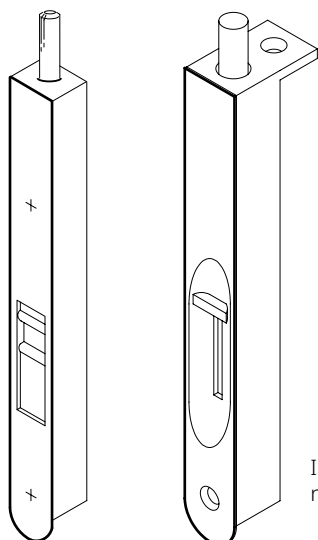
**3481** available with **Q108** insert only upon request



### 3483FB

### 3481FB

- Flush bolt face plates for **3483FB** are <sup>3</sup>/<sub>4</sub>" x 7".  
Face plates for **3481FB** are <sup>3</sup>/<sub>4</sub>" x 6"
- A <sup>3</sup>/<sub>4</sub>" x <sup>9</sup>/<sub>16</sub>" x <sup>1</sup>/<sub>8</sub>" notch at the top of the door is required for the flush bolt mounting flange on 3481FB
- Flush bolt assemblies for locking wood astragals can be purchased separately



<sup>3</sup>/<sub>8</sub>" bolt  
3483FB

<sup>1</sup>/<sub>2</sub>" bolt  
3481FB

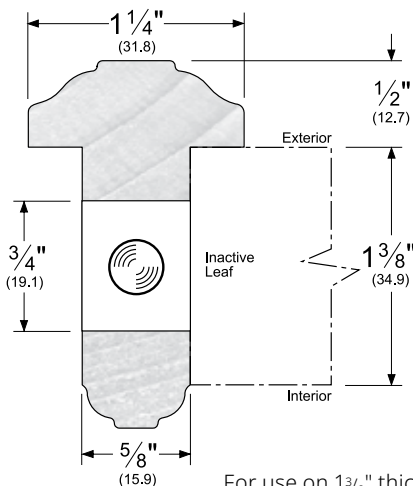
Illustrations  
not to scale.

### 3483\_ (0 flush bolts)

### 34831\_ (1 flush bolt)

AVAILABLE FINISHES:

**FIR, OAK**



For use on <sup>1 3</sup>/<sub>8</sub>" thick doors

AVAILABLE FINISHES FOR PRODUCTS SHOWN ON THIS PAGE (see General Information section for finish chart)

**FIR** (Natural Unfinished Fir) **OAK** (Natural Unfinished Oak)

Kerf Colors: **BL** (Black) **W** (White)

800-824-3018 | www.pemko.com

Check the web site for the up-to-date catalog

Copyright © 2015-2022, ASSA ABLOY Accessories and Door Controls Group, Inc., an ASSA ABLOY Group company. All rights reserved.  
Reproduction in whole or in part without the express written permission of ASSA ABLOY Accessories and Door Controls Group, Inc. is prohibited.

**PEMKO**  
**ASSA ABLOY**

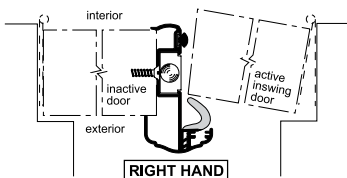
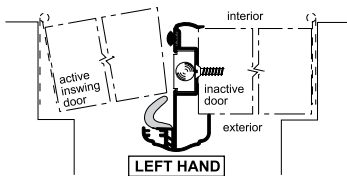
Experience a safer  
and more open world

# OUTSWING LOCKING ASTRAGALS

- Weatherstripped astragals with locking spring bolts or slide bolts for 1¾" outswing double doors. Slide bolts are 18" from the top/bottom for easier access
- Odd numbered astragals have economical smooth acting slide bolts. Even numbered astragals have locking spring bolts. Both have full ¾" diameter steel bolts with 1⅛" throw for improved locking strength. In the extended and locked position, locking spring bolts cannot be easily retracted by tampering. In the retracted position, the spring loaded bolts latch firmly, thus preventing marking of the floor and door header trim when opening or closing the inactive door
- All come with a Eco-V™ snap-in cover strip to conceal the cutout and to cover the mounting screws
- All feature four-way adjustable strike plate mounting for latchbolt and deadbolt
- All styles come with a molded sponge neoprene bottom seal
- Each astragal comes complete with an installation kit and detailed instructions
- Specify punchout locations with your order
- Specify handing using the handing chart below

## Handing Chart For Astragals (For pages 181 thru 184)

- An astragal is handed by the hand of the active door. The hand of the active door is determined by the position of the hinges on the door, when viewed from the outside (the key side)



## Slimline Style

Slimline style with slide bolt

3443\_S

REPLACEMENT INSERT:

S4 (BL, GR)

AVAILABLE FINISHES:

C, D, PW

3443 available with 18" aluminum bar; specify "L" at the end of product number (i.e. 3443\_S96L)

Slimline style with locking spring bolt

3444\_S

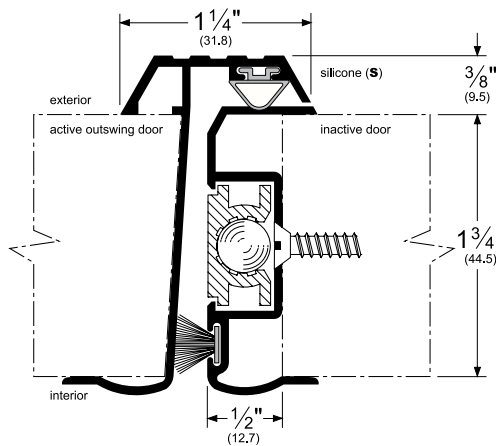
REPLACEMENT INSERT:

S4 (BL, GR)

AVAILABLE FINISHES:

C, D, PW

## Slimline Style



Experience a safer  
and more open world

AVAILABLE FINISHES FOR PRODUCTS SHOWN ON THIS PAGE (see General Information section for finish chart)  
C (Clear Anodized) D (Dark Bronze Anodized) PW (White)

800-824-3018 | www.pemko.com  
Check the web site for the up-to-date catalog

Copyright © 2015-2022, ASSA ABLOY Accessories and Door Controls Group, Inc., an ASSA ABLOY Group company. All rights reserved.  
Reproduction in whole or in part without the express written permission of ASSA ABLOY Accessories and Door Controls Group, Inc. is prohibited.

# PEMKO BRUSH GASKETING

## CONTENTS:

180° Aluminum Retainers .....	180
180° Concealed Fastener Retainers.....	181
90° Aluminum Retainers .....	182
45° Concealed Fastener Retainers.....	182
Mortise Retainers .....	184
Aluminum Retainer with Rain Drip.....	184
Oak Retainers .....	184
Meeting Stiles.....	185

NOTE: For Automatic Door Bottoms with Nylon Brush seals, please see Automatic Door Bottom catalog section.

## INDEX:

<u>PRODUCT</u>	<u>PAGE</u>	<u>PRODUCT</u>	<u>PAGE</u>	<u>PRODUCT</u>	<u>PAGE</u>
345 .....	184	18100.....	181	45061.....	183
3452.....	184	18100W.....	184	45062.....	183
5025.....	184	18137.....	180	45100.....	183
5041.....	184	18175.....	180	45137.....	183
5061.....	184	18250.....	180	45175.....	183
5100.....	184	18400.....	180	45250.....	183
18041.....	181	29324.....	181	45400.....	183
18041.....	185	29324.....	185	90041.....	182
18050.....	181	29326.....	181	90062.....	182
18061.....	181	29326.....	185	90100.....	182
18061.....	185	29344.....	182	90137.....	182
18062.....	181	29346.....	182	293100.....	181
18062W.....	184	45041.....	183		

NOTE: For Automatic Door Bottoms with Nylon Brush seals, please see Automatic Door Bottom catalog section.

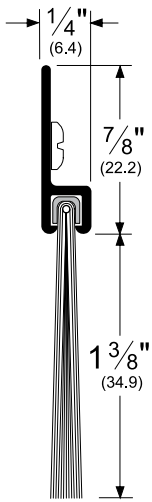


# 180° ALUMINUM RETAINERS

- All brush seals consist of densely compressed nylon filaments encased in a high quality aluminum retainer. These products are ideally suited for hollow metal and wood door applications. Also use Pemko's brush weatherstripping product on overhead, section, sliding, and automatic doors
- All brush seals reduce the infiltration of light, air, wind, rain, and snow; prevent heat loss; and control the penetration of smoke and fumes
- Brush remains flexible down to -40°F and has a melting point above 400°F
- UV stable, dependable, long-lasting, cost-effective
- Punched with slotted holes for adjustment (except 35° angle types which are drilled with 1/8" hole)
- Naturally repels rodents and spiders; can be sprayed with household pest repellent for additional pest control

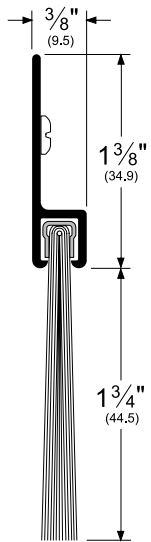
## 18137\_NB

AVAILABLE FINISHES:  
**10BE, BSP, C, D, G, PW, WSP**  
 REPLACEMENT INSERT:  
**P38137 (BL, GR, W)**  
 ANSI: **R3A434**



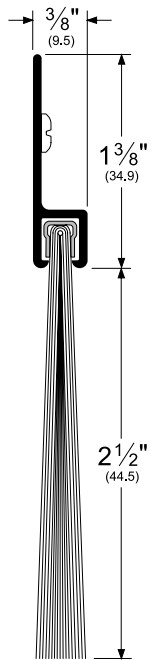
## 18175\_NB

AVAILABLE FINISHES:  
**10BE, BSP, C, D, WSP**  
 REPLACEMENT INSERT:  
**P58175 (BL, GR)**  
 ANSI: **R3A434**



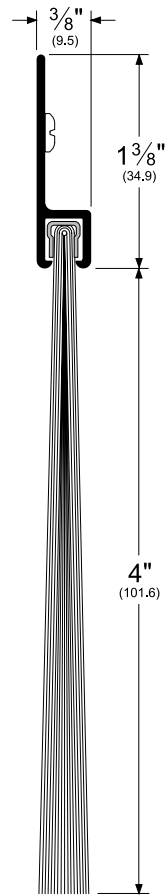
## 18250\_NB

AVAILABLE FINISHES:  
**10BE, BSP, C, D, WSP**  
 REPLACEMENT INSERT:  
**P58250 (BL, GR)**  
 ANSI: **R3A434**



## 18400\_NB

AVAILABLE FINISHES:  
**10BE, BSP, C, D, WSP**  
 REPLACEMENT INSERT:  
**P58400 (BL, GR)**  
 ANSI: **R3A434**



NOTE: Products shown in this section may not be drawn to scale.

AVAILABLE FINISHES FOR PRODUCTS SHOWN ON THIS PAGE (see General Information section for finish chart)  
**10BE** (Satin Bronze Powder Coated Aluminum) **BSP** (Black Suede Powder Coated Aluminum) **C** (Clear Anodized)  
**D** (Dark Bronze Anodized) **G** (Gold Anodized) **PW** (Painted White) **WSP** (White Suede Powder Coated Aluminum)  
 Special finishes available upon request

800-824-3018 | [www.pemko.com](http://www.pemko.com)

Check the web site for the up-to-date catalog



Experience a safer  
and more open world

# 180° ALUMINUM RETAINERS (Cont.)

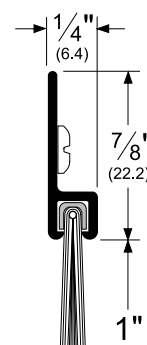
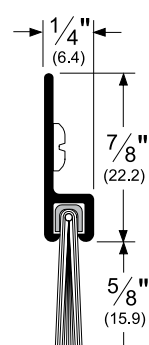
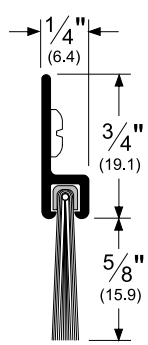
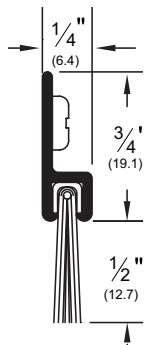
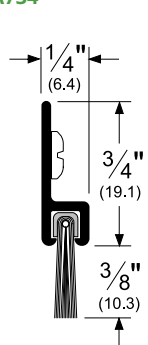
**18041\_NB**  
 AVAILABLE FINISHES:  
**10BE, BSP, C, D, G, PW, SN, WSP**  
 REPLACEMENT INSERT:  
**P516041 (BL, GR)**  
 ANSI: **R3A134, R3A164, R3A734**

**18050\_NB**  
 AVAILABLE FINISHES:  
**10BE, BSP, C, D, G, PW, SN, WSP**  
 REPLACEMENT INSERT:  
**P516050 (BL, GR)**  
 ANSI: **R3A434, R3A734**

**18061\_NB**  
 AVAILABLE FINISHES:  
**10BE, BSP, C, D, G, PW, SN, WSP**  
 REPLACEMENT INSERT:  
**P516062 (BL, GR, W)**  
 ANSI: **R3A434, R3A734**


**18062\_NB**  
 AVAILABLE FINISHES:  
**10BE, BSP, C, D, G, PW, WSP**  
 REPLACEMENT INSERT:  
**P38062 (BL, GR, W)**  
 ANSI: **R3A434**

**18100\_NB**  
 AVAILABLE FINISHES:  
**10BE, BSP, C, D, G, PW, WSP**  
 REPLACEMENT INSERT:  
**P38100 (BL, GR)**  
 ANSI: **R3A434**



**Alternate Inserts For 18041**

**18041\_SB**  
 AVAILABLE FINISHES: **C, D, G, SN**  
 REPLACEMENT INSERT: **P3 (BL, GR)**



soft brush (SB)

# 180° CONCEALED FASTENER RETAINERS

- Aluminum snap cover conceals mounting screws to provide a clean aesthetic appearance
- Replacement snap cover is item \_29316; when ordering, identify finish and length
- Cover snaps securely into place to deter vandalism


**293100\_NB**  
 AVAILABLE FINISHES:  
**10BE, BSP, C, D, WSP**  
 REPLACEMENT INSERT:  
**P516100 (BL, GR, W)**  
 ANSI: **R3A434**

**29326\_NB**  
 AVAILABLE FINISHES:  
**10BE, BSP, C, D, G, WSP**  
 REPLACEMENT INSERT:  
**P516062 (BL, GR, W)**  
 ANSI: **R3A434**

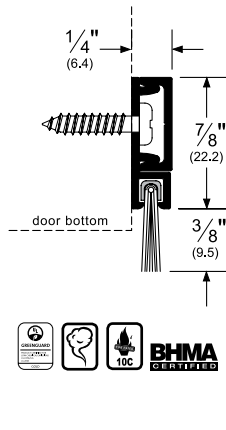
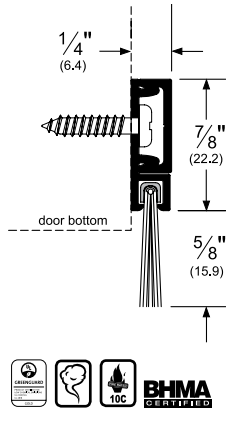
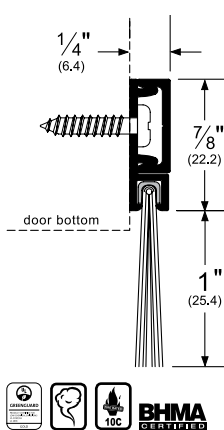
**29324\_NB**  
 AVAILABLE FINISHES:  
**10BE, BSP, C, D, G, WSP**  
 REPLACEMENT INSERT:  
**P516041 (BL, GR)**  
 ANSI: **R3A434**

**Alternate Insert For 29324**

**29324\_SB**  
 AVAILABLE FINISHES: **10BE, BSP, C, D, WSP**  
 REPLACEMENT INSERT: **P3 (BL, GR)**



soft brush (SB)



NOTE: Products shown in this section may not be drawn to scale.

AVAILABLE FINISHES FOR PRODUCTS SHOWN ON THIS PAGE (see General Information section for finish chart)  
**10BE** (Satin Bronze Powder Coated Aluminum) **BSP** (Black Suede Powder Coated Aluminum) **C** (Clear Anodized)  
**D** (Dark Bronze Anodized) **G** (Gold Anodized) **PW** (Painted White) **SN** (Satin Nickel Anodized)  
**WSP** (White Suede Powder Coated Aluminum) Special finishes available upon request

800-824-3018 | www.pemko.com

Check the web site for the up-to-date catalog

Copyright © 2015-2022, ASSA ABLOY Accessories and Door Controls Group, Inc., an ASSA ABLOY Group company. All rights reserved. Reproduction in whole or in part without the express written permission of ASSA ABLOY Accessories and Door Controls Group, Inc. is prohibited.

**PEMKO**  
**ASSA ABLOY**

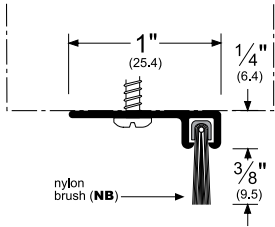
Experience a safer  
 and more open world

## 90° ALUMINUM RETAINERS

- Design permits use as a concealed seal for many applications
- Slotted holes for easy adjustment

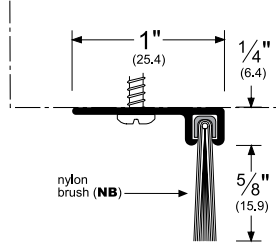
### 90041\_NB

AVAILABLE FINISHES: **10BE, BSP, C, D, WSP**  
 REPLACEMENT INSERT: **P516041 (BL, GR, W)**  
 ANSI: **R3A164, R3A414**



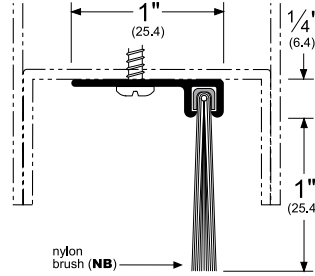
### 90062\_NB

AVAILABLE FINISHES: **10BE, BSP, C, D, WSP**  
 REPLACEMENT INSERT: **P516062 (BL, GR, W)**  
 ANSI: **R3A164, R3A414**



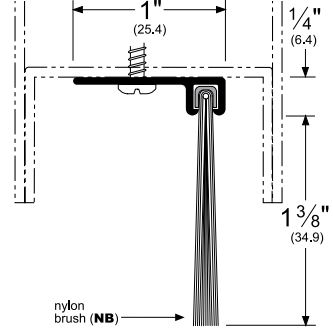
### 90100\_NB

AVAILABLE FINISHES: **10BE, BSP, C, D, G, WSP**  
 REPLACEMENT INSERT: **P516100 (BL, GR, W)**  
 ANSI: **R3A414**



### 90137\_NB

AVAILABLE FINISHES: **10BE, BSP, C, D, G, WSP**  
 REPLACEMENT INSERT: **P516137 (BL, GR, W)**  
 ANSI: **R3A414**



Alternate Insert For 90041

### 90041\_SB

AVAILABLE FINISHES: **10BE, BSP, C, D, WSP**  
 REPLACEMENT INSERT: **P3 (BL, GR)**

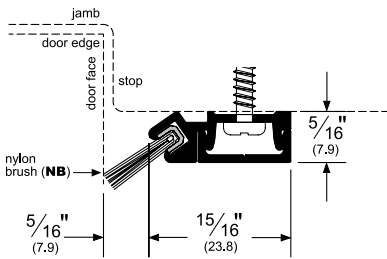


## 45° CONCEALED FASTENER RETAINERS

- Replacement snap cover is item \_29316-
- When ordering, identify finish and length

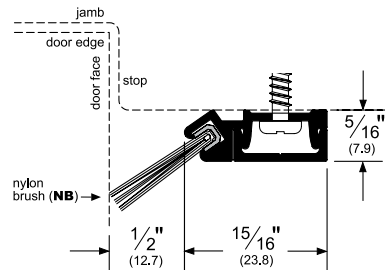
### 29344\_NB

AVAILABLE FINISHES: **10BE, BSP, C, D, WSP**  
 REPLACEMENT INSERT: **P516041 (BL, GR)**  
 ANSI: **R3A164**



### 29346\_NB

AVAILABLE FINISHES: **10BE, BSP, C, D, WSP**  
 REPLACEMENT INSERT: **P516062 (BL, GR, W)**  
 ANSI: **R3A164**



Alternate Insert For 29344

### 29344\_SB

AVAILABLE FINISHES: **10BE, BSP, C, D, WSP**  
 REPLACEMENT INSERT: **P3 (BL, GR)**



**PEMKO**  
**ASSA ABLOY**

Experience a safer  
 and more open world

NOTE: Products shown in this section may not be drawn to scale.

AVAILABLE FINISHES FOR PRODUCTS SHOWN ON THIS PAGE (see General Information section for finish chart)  
**10BE** (Satin Bronze Powder Coated Aluminum) **BSP** (Black Suede Powder Coated Aluminum) **C** (Clear Anodized)  
**D** (Dark Bronze Anodized) **G** (Gold Anodized) **PW** (Painted White) **WSP** (White Suede Powder Coated Aluminum)  
 Special finishes available upon request

800-824-3018 | www.pemko.com

Check the web site for the up-to-date catalog

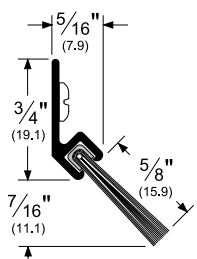
Copyright © 2015-2022, ASSA ABLOY Accessories and Door Controls Group, Inc., an ASSA ABLOY Group company. All rights reserved.  
 Reproduction in whole or in part without the express written permission of ASSA ABLOY Accessories and Door Controls Group, Inc. is prohibited.

# 45° ALUMINUM RETAINERS

• Slotted holes for easy adjustment

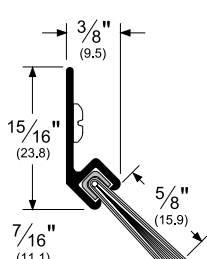
## 45061\_NB

AVAILABLE FINISHES:  
**10BE, BSP, C, D, G, SN, WSP**  
 REPLACEMENT INSERT:  
**P516062 (BL, GR, W)**  
 ANSI: **R3A164**



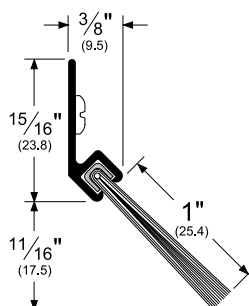
## 45062\_NB

AVAILABLE FINISHES:  
**10BE, BSP, C, D, G, PW, WSP**  
 REPLACEMENT INSERT:  
**P38062 (BL, GR, W)**  
 ANSI: **R3A164**



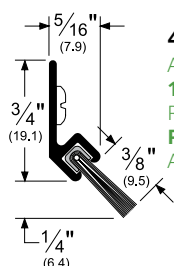
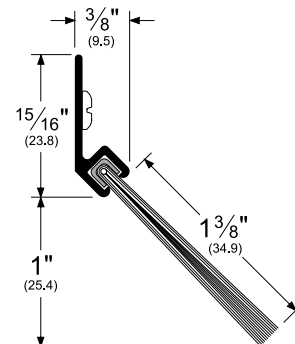
## 45100\_NB

AVAILABLE FINISHES:  
**10BE, BSP, C, D, G, PW, WSP**  
 REPLACEMENT INSERT:  
**P38100 (BL, GR)**  
 ANSI: **R3A164**



## 45137\_NB

AVAILABLE FINISHES:  
**10BE, BSP, C, D, PW, WSP**  
 REPLACEMENT INSERT:  
**P58137 (BL, GR, W)**  
 ANSI: **R3A164**



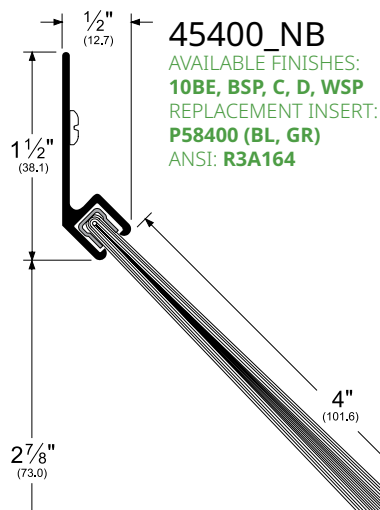
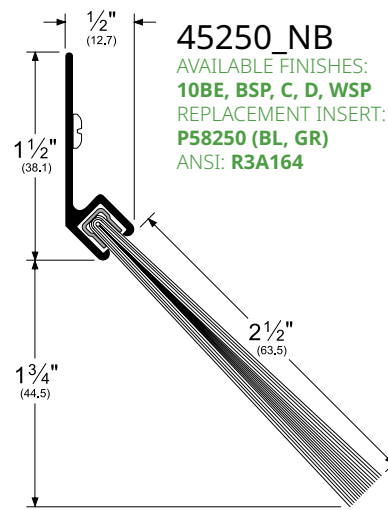
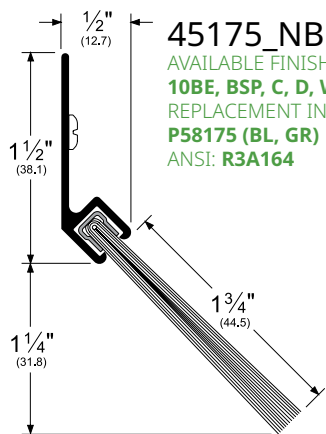
## 45041\_NB

AVAILABLE FINISHES:  
**10BE, BSP, C, D, G, SN, WSP**  
 REPLACEMENT INSERT:  
**P516041 (BL, GR)**  
 ANSI: **R3A164**

Alternate Insert For 45041

## 45041\_SB

AVAILABLE FINISHES:  
**10BE, BSP, C, D, G, SN, WSP**  
 REPLACEMENT INSERT: **P3 (BL, GR)**



NOTE: Products shown in this section may not be drawn to scale.

AVAILABLE FINISHES FOR PRODUCTS SHOWN ON THIS PAGE (see General Information section for finish chart)  
**10BE** (Satin Bronze Powder Coated Aluminum) **BSP** (Black Suede Powder Coated Aluminum) **C** (Clear Anodized)  
**D** (Dark Bronze Anodized) **G** (Gold Anodized) **PW** (Painted White) **SN** (Satin Nickel Anodized)  
**WSP** (White Suede Powder Coated Aluminum) Special finishes available upon request

800-824-3018 | www.pemko.com

Check the web site for the up-to-date catalog

Copyright © 2015-2022, ASSA ABLOY Accessories and Door Controls Group, Inc., an ASSA ABLOY Group company. All rights reserved.  
 Reproduction in whole or in part without the express written permission of ASSA ABLOY Accessories and Door Controls Group, Inc. is prohibited.

**PEMKO**  
**ASSA ABLOY**

Experience a safer  
 and more open world

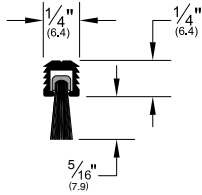


# MORTISE RETAINERS

- The ultimate design for concealed weatherstrip needs
- Can be used on doors, windows and more

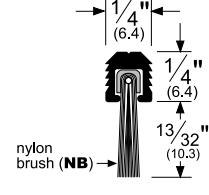
## 5025\_NB

AVAILABLE FINISH: **A**  
REPLACEMENT INSERT:  
**P14025 (BL, GR)**



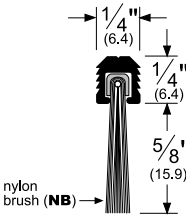
## 5041\_NB

AVAILABLE FINISH: **A**  
REPLACEMENT INSERT:  
**P516041 (BL, GR)**



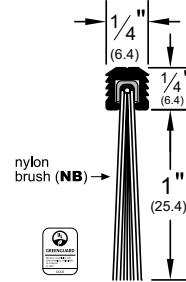
## 5061\_NB

AVAILABLE FINISH: **A**  
REPLACEMENT INSERT:  
**P516062 (BL, GR, W)**



## 5100\_NB

AVAILABLE FINISH: **A**  
REPLACEMENT INSERT:  
**P516100 (BL, GR, W)**



### Alternate Insert For 5025 and 5041

**5025\_SB**  
AVAILABLE FINISHES: **A**  
REPLACEMENT INSERT:  
**SB14025 (BL, GR)**



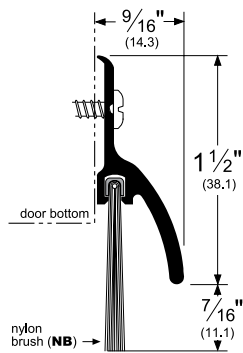
**5041\_SB**  
AVAILABLE FINISHES: **A**  
REPLACEMENT INSERT:  
**P3 (BL, GR)**

# ALUMINUM RETAINER WITH RAIN DRIP

- Slotted holes for easy adjustment

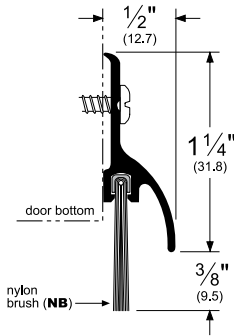
## 345\_NB

AVAILABLE FINISHES:  
**A, BDG, D, G, PW**  
REPLACEMENT INSERT:  
**P14100 (BL, GR)**  
ANSI: **R3A534**



## 3452\_NB

AVAILABLE FINISHES:  
**A, BDG, C, D, G, PW, SN**  
REPLACEMENT INSERT:  
**P14075 (BL, GR)**  
ANSI: **R3A534**

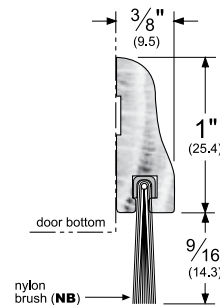


# OAK RETAINERS 36" WIDE

- These products have 1/8" drilled fastener holes

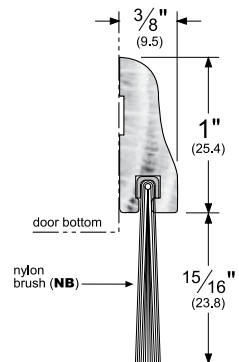
## 18062WNB

AVAILABLE FINISH: **W**  
REPLACEMENT INSERT:  
**P516062 (BL, GR, W)**



## 18100WNB

AVAILABLE FINISH: **W**  
REPLACEMENT INSERT:  
**P516100 (BL, GR)**



NOTE: Products shown in this section may not be drawn to scale.

AVAILABLE FINISHES FOR PRODUCTS SHOWN ON THIS PAGE (see General Information section for finish chart)  
**A** (Mill Finish Aluminum) **BDG** (Bright Dip Gold Anodized) **C** (Clear Anodized) **D** (Dark Bronze Anodized)  
**G** (Gold Anodized) **PW** (Painted White) **SN** (Satin Nickel Anodized) **W** (Unfinished Solid Oak)



Experience a safer  
and more open world

800-824-3018 | [www.pemko.com](http://www.pemko.com)  
Check the web site for the up-to-date catalog

Copyright © 2015-2022, ASSA ABLOY Accessories and Door Controls Group, Inc., an ASSA ABLOY Group company. All rights reserved.  
Reproduction in whole or in part without the express written permission of ASSA ABLOY Accessories and Door Controls Group, Inc. is prohibited.



## MEETING STILES

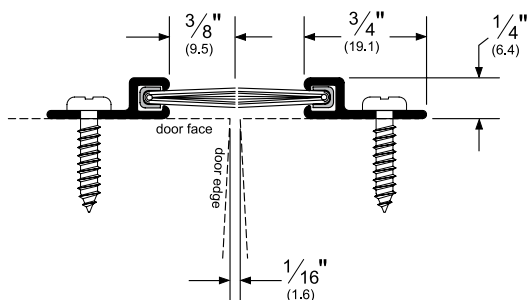
- Astragals and Meeting Stiles with a fire label may be mounted on pairs of doors wherein the gap meets the requirements of NFPA 80-2013, 6.3.1.7.1 **“The clearance between... the meeting edges of doors swinging in pairs on the pull side shall be 1/8" ± 1/16" (3.18mm ± 1.59mm) for steel doors and shall not exceed 1/8" (3.18mm) for wood doors”**

### 18041\_NB

AVAILABLE FINISHES: **10BE, BSP, C, D, G, SN, WSP**

REPLACEMENT INSERT: **P516041 (BL, GR)**

ANSI: **R3A734**



Alternate Insert For 18041

### 18041\_SB

AVAILABLE FINISHES

**10BE, BSP, C, D, G, SN, WSP**

REPLACEMENT INSERT: **P3 (BL, GR)**



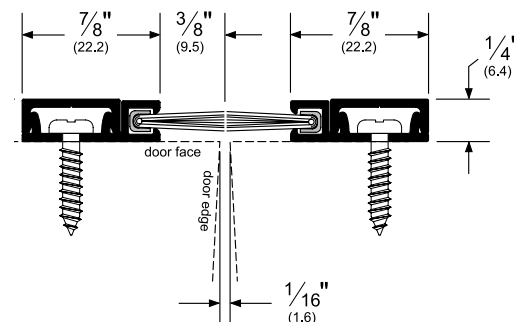
soft brush (SB)

### 29324\_NB

AVAILABLE FINISHES: **10BE, BSP, C, D, G, SN, WSP**

REPLACEMENT INSERT: **P516041 (BL, GR)**

ANSI: **R3A434, R3A435**



Alternate Insert For 29324

### 29324\_SB

AVAILABLE FINISHES:

**10BE, BSP, C, D, G, SN, WSP**

REPLACEMENT INSERT: **P3 (BL, GR)**



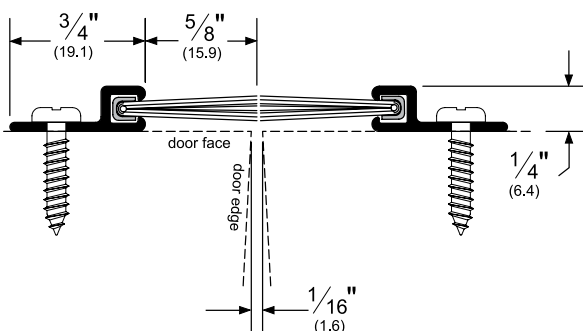
soft brush (SB)

### 18061\_NB

AVAILABLE FINISHES: **10BE, BSP, C, D, G, SN, WSP**

REPLACEMENT INSERT: **P516062 (BL, GR, W)**

ANSI: **R3A734**

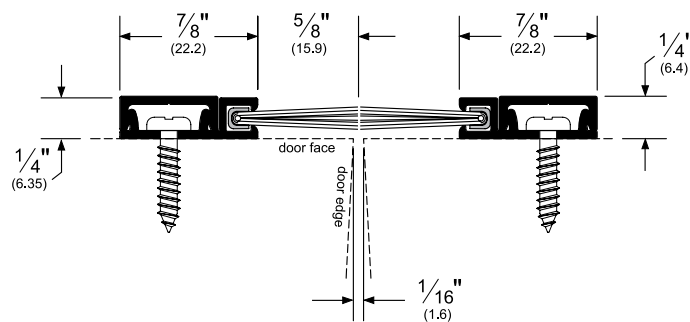


### 29326\_NB

AVAILABLE FINISHES: **10BE, BSP, C, D, G, SN, WSP**

REPLACEMENT INSERT: **P516062 (BL, GR, W)**

ANSI: **R3A764, R3A765**



NOTE: Products shown in this section may not be drawn to scale.

AVAILABLE FINISHES FOR PRODUCTS SHOWN ON THIS PAGE (see General Information section for finish chart)

**10BE** (Satin Bronze Powder Coated Aluminum) **BSP** (Black Suede Powder Coated Aluminum) **C** (Clear Anodized)

**D** (Dark Bronze Anodized) **G** (Gold Anodized) **SN** (Satin Nickel Anodized) **WSP** (White Suede Powder Coated Aluminum)

800-824-3018 | [www.pemko.com](http://www.pemko.com)

Check the web site for the up-to-date catalog

Copyright © 2015-2022, ASSA ABLOY Accessories and Door Controls Group, Inc., an ASSA ABLOY Group company. All rights reserved. Reproduction in whole or in part without the express written permission of ASSA ABLOY Accessories and Door Controls Group, Inc. is prohibited.

**PEMKO**  
**ASSA ABLOY**

Experience a safer  
and more open world



Experience a safer  
and more open world

800-824-3018 | [www.pemko.com](http://www.pemko.com)  
*Check the web site for the up-to-date catalog*

Copyright © 2015-2022, ASSA ABLOY Accessories and Door Controls Group, Inc., an ASSA ABLOY Group company. All rights reserved.  
Reproduction in whole or in part without the express written permission of ASSA ABLOY Accessories and Door Controls Group, Inc. is prohibited.

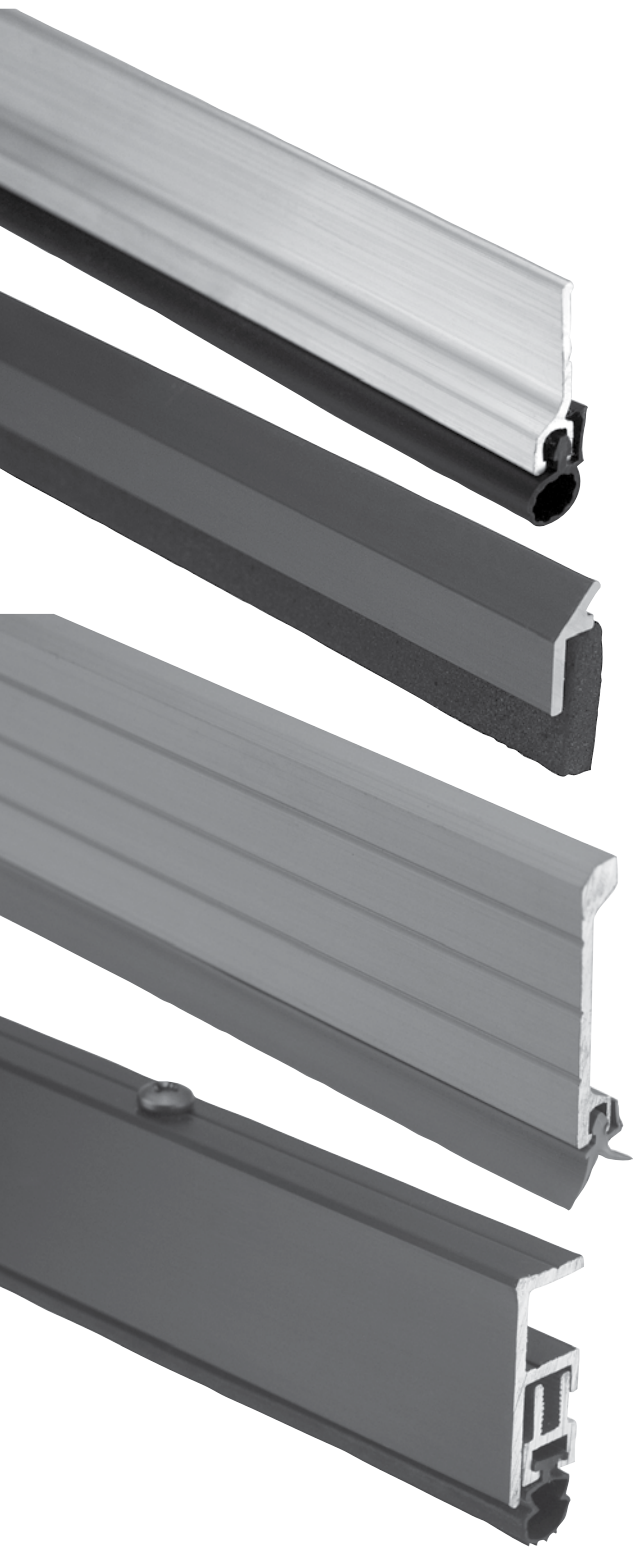
# PEMKO PERIMETER GASKETING

## CONTENTS:

Standard Perimeter Gasketing .....	188
Perimeter Gasket Solutions for Sliding Doors.....	191
Stainless Steel Perimeter Gasketing.....	192
Adjustable Jamb Gasketing.....	193
Heavy Duty Interlock Perimeter Gasketing .....	193
Heavy Duty Perimeter Gasketing - Head Section .....	194
Heavy Duty Perimeter Gasketing - Standard Jamb.....	195
Perimeter Gasket Jamb Brackets.....	195
Snap Cover Perimeter Gasketing With Concealed Fasteners.....	196
Kerf-In Weatherstrip.....	197
Magnetic Weatherstrip.....	198
Adhesive Perimeter Gasketing.....	198
MicroShield® Antimicrobial Adhesive Gasketing.....	199
Excessive Gap Perimeter Solution.....	200
Interlock Weatherstrip For Wood Windows .....	200
Interlock Weatherstrip For Wood Doors.....	201
Cushion/Spring Weatherstrip.....	201
Fasteners for Cushion, Spring and Interlock Weatherstrip .....	201
Privacy Seals for Sliding Doors.....	202

## INDEX:

PRODUCT	PAGE	PRODUCT	PAGE	PRODUCT	PAGE
2P.....	200	330 .....	190	BKT1532.....	195
4C .....	200	331 .....	201	HSS20XGxS773 .....	200
4P.....	200	332 .....	189	MAG349 .....	198
6C.....	200	335 .....	193	NL1634 .....	201
10 .....	200	336 .....	193	NL1678 .....	201
30.....	201	350 .....	193	NL13516 .....	201
41M.....	201	375.....	189	P50 .....	198
43.....	201	379.....	193	P51B17.....	201
70C-100 .....	201	394 .....	191	PEMKOSFSET .....	202
70D-100 .....	201	394 .....	202	PK33.....	199
70E-99 .....	201	950 .....	191	PK52.....	198
70F-100 .....	201	950 .....	202	PK55.....	199
73.....	201	2815_M.....	198	PY900 .....	191
74 .....	201	2891 .....	194	Q102.....	197
75.....	201	2892 .....	194	Q103.....	197
285 .....	190	2893.....	194	Q106 .....	197
290 .....	195	2902.....	195	Q107.....	197
294 .....	191	2903.....	195	Q108 .....	197
296 .....	190	3151.....	190	S44 .....	198
297.....	188	28945.....	194	S52.....	197
303 .....	188	29045 .....	195	S77 .....	199
305 .....	189	29310 .....	196	S88 .....	198
305SS.....	192	29313 .....	196	S104 .....	197
306 .....	191	29326.....	196	S105 .....	197
309 .....	191	29344 .....	196	S109 .....	197
312.....	190	29346 .....	196	S442.....	199
315.....	190	29394.....	191	S771x6.....	199
315SS.....	192	29394.....	202	S773 .....	198
316.....	188	AM44 .....	199	S776.....	199
319.....	189	AM88 .....	199	XG90KIT .....	200
319SS.....	192	BKT050.....	195	XG900 .....	200
322 .....	193	BKT075 .....	195		



800-824-3018 | [www.pemko.com](http://www.pemko.com)

Check the web site for the up-to-date catalog

Copyright © 2015-2022, ASSA ABLOY Accessories and Door Controls Group, Inc., an ASSA ABLOY Group company. All rights reserved. Reproduction in whole or in part without the express written permission of ASSA ABLOY Accessories and Door Controls Group, Inc. is prohibited.

**PEMKO**  
**ASSA ABLOY**

Experience a safer  
and more open world

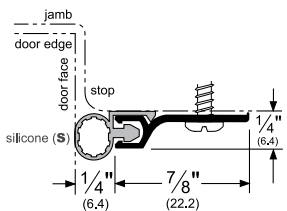
# STANDARD PERIMETER GASKETING

• Rigid jamb weatherstrip shown mounted on openings with  $\frac{1}{16}$ " gaps; however, each weatherstrip can seal gaps up to the depth of its seal. Seal depth provided on each illustration (example: the 303 has a  $\frac{1}{4}$ " seal; therefore, it can seal up to a  $\frac{1}{4}$ " gap)

• Punched on 6" centers with slotted holes for adjustment. Models 294, 303, and 306 are available with self-adhesive two-sided tape (TST) and tek screws (3 slotted holes per part) for easy installation. To obtain this option, add "TST" to the end of the part when ordering (example: 303AVTST)

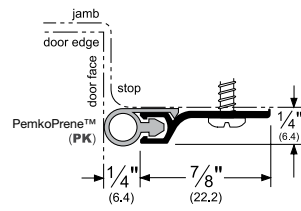
## 303\_S

AVAILABLE FINISHES:  
**10BE, A, BSP, C, D, G, PW, SN, WSP**  
 REPLACEMENT INSERT: **S3 (BL, W)**  
 ANSI: **R3E164, R3E165**



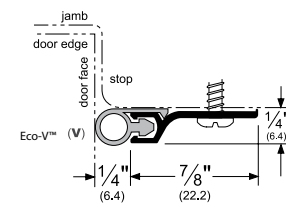
## 303\_PK

AVAILABLE FINISHES:  
**10BE, A, BSP, C, D, G, PW, SN, WSP**  
 REPLACEMENT INSERT: **PK47 (BL, GR)**  
 ANSI: **R3G164**



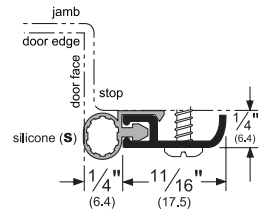
## 303\_V

AVAILABLE FINISHES:  
**10BE, A, BSP, C, D, G, PW, SN, WSP**  
 REPLACEMENT INSERT: **EV47 (BL, GR, W)**



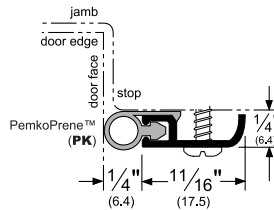
## 316\_S

AVAILABLE FINISHES:  
**10BE, A, BDG, BSP, D, G, WSP**  
 REPLACEMENT INSERT: **S3 (BL, W)**  
 ANSI: **R3E164, R3E165**



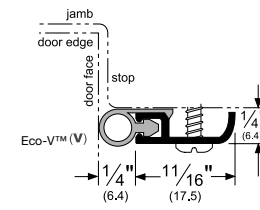
## 316\_PK

AVAILABLE FINISHES:  
**10BE, A, BDG, BSP, D, G, WSP**  
 REPLACEMENT INSERT: **PK47 (BL, GR)**  
 ANSI: **R3G164, R3G165**



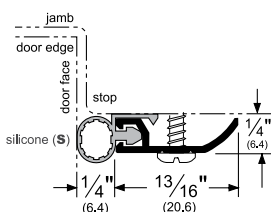
## 316\_V

AVAILABLE FINISHES:  
**10BE, A, BDG, BSP, D, G, WSP**  
 REPLACEMENT INSERT: **EV47 (BL, GR, W)**



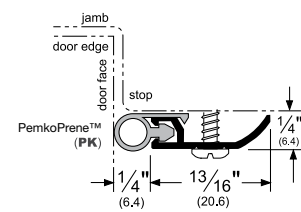
## 297\_S

AVAILABLE FINISHES:  
**10BE, A, BDG, BSP, D, G, PW, SN, WSP**  
 REPLACEMENT INSERT: **S3 (BL, W)**  
 ANSI: **R3E164, R3E165**



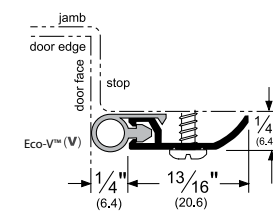
## 297\_PK

AVAILABLE FINISHES:  
**10BE, A, BDG, BSP, D, G, PW, SN, WSP**  
 REPLACEMENT INSERT: **PK47 (BL, GR)**  
 ANSI: **R3G164, R3G165**



## 297\_V

AVAILABLE FINISHES:  
**10BE, A, BDG, BSP, D, G, PW, SN, WSP**  
 REPLACEMENT INSERT: **EV47 (BL, GR, W)**



NOTE: Products shown in this section may not be drawn to scale.

AVAILABLE FINISHES FOR PRODUCTS SHOWN ON THIS PAGE (see General Information section for finish chart)

**10BE** (Satin Bronze Powder Coated Aluminum) **A** (Mill Finish Aluminum) **BDG** (Bright Dip Gold Anodized)

**BSP** (Black Suede Powder Coated Aluminum) **C** (Clear Anodized) **D** (Dark Bronze Anodized) **G** (Gold Anodized)

**PW** (Painted White) **SN** (Satin Nickel Anodized) **WSP** (White Suede Powder Coated Aluminum)

**PEMKO**  
**ASSA ABLOY**

Experience a safer  
 and more open world

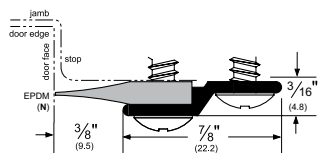
800-824-3018 | www.pemko.com  
 Check the web site for the up-to-date catalog

Copyright © 2015-2022, ASSA ABLOY Accessories and Door Controls Group, Inc., an ASSA ABLOY Group company. All rights reserved. Reproduction in whole or in part without the express written permission of ASSA ABLOY Accessories and Door Controls Group, Inc. is prohibited.

# STANDARD PERIMETER GASKETING (Cont.)

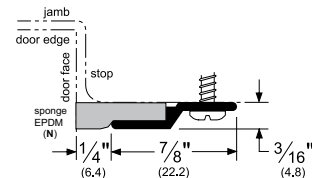
## 305\_N

AVAILABLE FINISHES:  
**10BE, B, BSP, C, D, G, WSP**  
 REPLACEMENT INSERT: **E2 (BL, GR)**  
 ANSI (alum): **R3G164, R3G165**  
 ANSI (brass): **R1G164, R1G165**



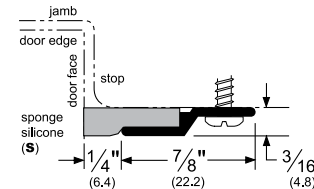
## 305\_R

AVAILABLE FINISHES:  
**10BE, B, BSP, C, D, G, WSP**  
 REPLACEMENT INSERT: **ER1 (BL)**  
 ANSI (alum): **R3G164, R3G165**  
 ANSI (brass): **R1G164, R1G165**



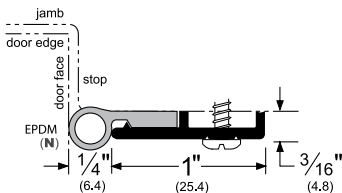
## 305\_S

AVAILABLE FINISHES:  
**10BE, B, BSP, C, D, G, WSP**  
 REPLACEMENT INSERT: **SR1 (BL)**  
 ANSI: **R3E164, R3E165**



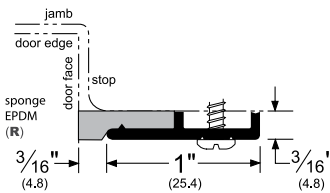
## 319\_N

AVAILABLE FINISHES: **10BE, BSP, C, D, G, WSP**  
 REPLACEMENT INSERT: **E11 (BL)**  
 ANSI: **R3G164, R3G165**



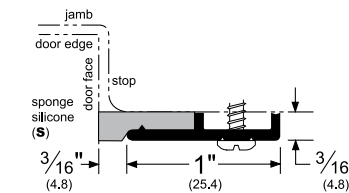
## 319\_R

AVAILABLE FINISHES: **10BE, BSP, C, D, G, WSP**  
 REPLACEMENT INSERT: **ER1 (BL)**  
 ANSI: **R3G164, R3G165**



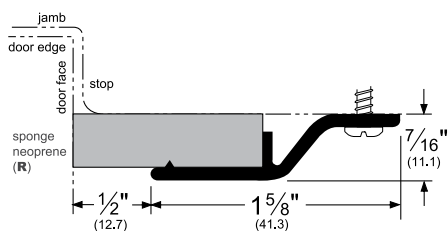
## 319\_S

AVAILABLE FINISHES: **10BE, BSP, C, D, G, WSP**  
 REPLACEMENT INSERT: **SR1 (BL)**  
 ANSI: **R3E165**



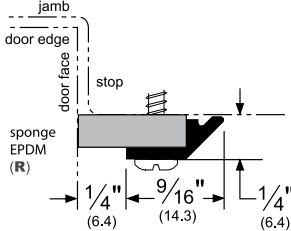
## 375\_R

AVAILABLE FINISHES:  
**10BE, B, BSP, C, D, G, WSP**  
 REPLACEMENT INSERT: **ER6 (BL)**  
 ANSI (alum): **R3C164, R3C165**



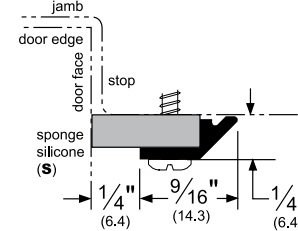
## 332\_R

AVAILABLE FINISHES:  
**10BE, BSP, C, D, G, WSP**  
 REPLACEMENT INSERT: **ER1 (BL)**  
 ANSI: **R3G164, R3G165**



## 332\_S

AVAILABLE FINISHES:  
**10BE, BSP, C, D, G, WSP**  
 REPLACEMENT INSERT: **SR1 (BL)**  
 ANSI: **R3E164, R3E165**



NOTE: Products shown in this section may not be drawn to scale.

AVAILABLE FINISHES FOR PRODUCTS SHOWN ON THIS PAGE (see General Information section for finish chart)

**10BE** (Satin Bronze Powder Coated Aluminum) **A** (Mill Finish Aluminum) **B** (Mill Finish Extruded Bronze [Brass])  
**BDG** (Bright Dip Gold Anodized) **BSP** (Black Suede Powder Coated Aluminum) **C** (Clear Anodized) **D** (Dark Bronze Anodized)  
**G** (Gold Anodized) **PW** (Painted White) **SN** (Satin Nickel Anodized) **WSP** (White Suede Powder Coated Aluminum)

800-824-3018 | www.pemko.com

Check the web site for the up-to-date catalog

Copyright © 2015-2022, ASSA ABLOY Accessories and Door Controls Group, Inc., an ASSA ABLOY Group company. All rights reserved.  
 Reproduction in whole or in part without the express written permission of ASSA ABLOY Accessories and Door Controls Group, Inc. is prohibited.

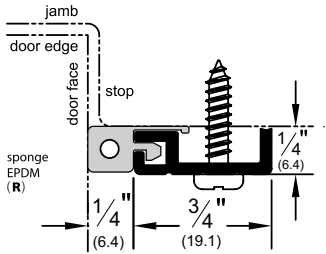
**PEMKO**  
**ASSA ABLOY**

Experience a safer  
 and more open world

# STANDARD PERIMETER GASKETING (Cont.)

## 312\_R

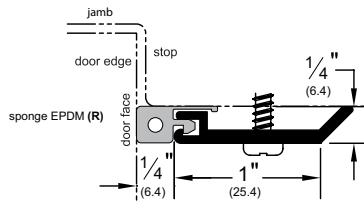
AVAILABLE FINISHES:  
**10BE, BSP, C, D, G, WSP**  
 REPLACEMENT INSERT: **ER9BL (BL)**  
 ANSI (alum): **R3G164, R3G165**



## 315\_R

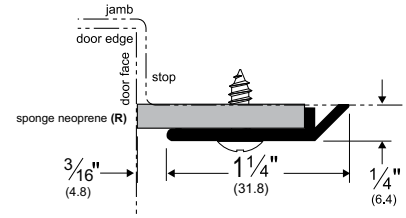
AVAILABLE FINISHES:  
**10BE, B, BSP, C, D, G, WSP**  
 REPLACEMENT INSERT: **ER9BL (BL)**  
 ANSI (alum): **R3G164, R3G165**

• Please consult website for correct 315BR profile.



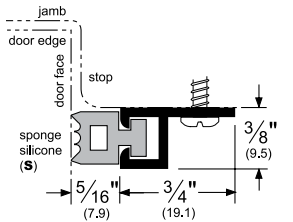
## 3151\_R

AVAILABLE FINISHES:  
**10BE, BSP, C, D, G, WSP**  
 REPLACEMENT INSERT: **ER2 (BL)**  
 ANSI (alum): **R3G164**



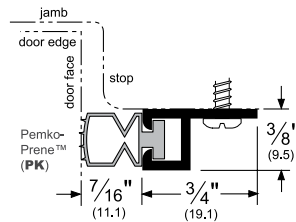
## 296\_S

AVAILABLE FINISHES:  
**10BE, BSP, C, D, G, WSP**  
 REPLACEMENT INSERT: **SR6 (BL)**  
 ANSI (alum): **R3E164, R3E165**



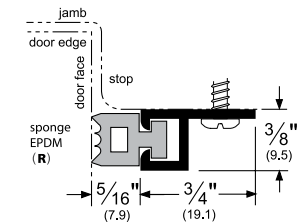
## 296\_PK

AVAILABLE FINISHES:  
**10BE, BSP, C, D, G, WSP**  
 REPLACEMENT INSERT: **PK4132 (BL)**  
 ANSI (alum): **R3G164, R3G165**



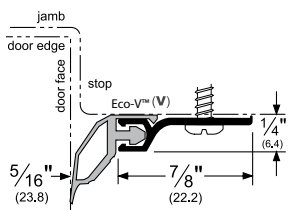
## 296\_R

AVAILABLE FINISHES:  
**10BE, BSP, C, D, G, WSP**  
 REPLACEMENT INSERT: **E7 (BL)**  
 ANSI (alum): **R3G164, R3G165**



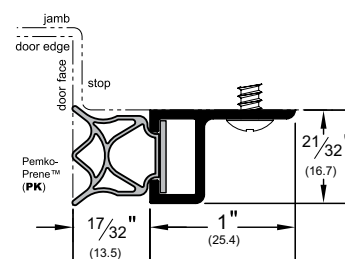
## 330\_V

AVAILABLE FINISHES:  
**10BE, A, BSP, D, SN, WSP**  
 REPLACEMENT INSERT: **EV61 (BL, GR)**



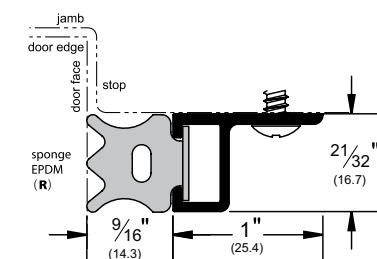
## 285\_PK

AVAILABLE FINISHES:  
**10BE, BSP, C, D, G, WSP**  
 REPLACEMENT INSERT: **PK4304 (BL)**  
 ANSI (alum): **R3G164, R3G165**



## 285\_R

AVAILABLE FINISHES:  
**10BE, BSP, C, D, G, WSP**  
 REPLACEMENT INSERT: **E4303 (BL)**  
 ANSI (alum): **R3G166**



NOTE: Products shown in this section may not be drawn to scale.

AVAILABLE FINISHES FOR PRODUCTS SHOWN ON THIS PAGE (see General Information section for finish chart)

**10BE** (Satin Bronze Powder Coated Aluminum) **A** (Mill Finish Aluminum) **B** (Mill Finish Extruded Bronze [Brass])  
**BDG** (Bright Dip Gold Anodized) **BSP** (Black Suede Powder Coated Aluminum) **C** (Clear Anodized) **D** (Dark Bronze Anodized)  
**G** (Gold Anodized) **PW** (Painted White) **SN** (Satin Nickel Anodized) **WSP** (White Suede Powder Coated Aluminum)

**PEMKO**  
**ASSA ABLOY**

Experience a safer  
 and more open world

800-824-3018 | www.pemko.com  
 Check the web site for the up-to-date catalog

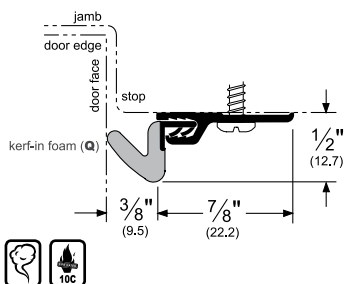
Copyright © 2015-2022, ASSA ABLOY Accessories and Door Controls Group, Inc., an ASSA ABLOY Group company. All rights reserved.  
 Reproduction in whole or in part without the express written permission of ASSA ABLOY Accessories and Door Controls Group, Inc. is prohibited.

# STANDARD PERIMETER GASKETING (Cont.)

## 306\_Q

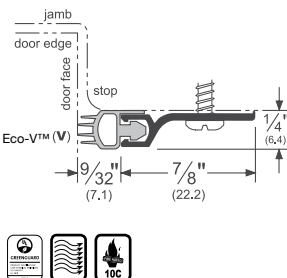
AVAILABLE FINISHES: **10BE, A, BSP, D, PW, WSP**  
 REPLACEMENT INSERT: **Q103 (D, W)**

- Minimum space between the door face and the stop is  $\frac{3}{16}$ " ; maximum space is  $\frac{5}{16}$ "
- Note insert color when ordering:  
 Dark Brown (D) or White (W)



## 306\_V

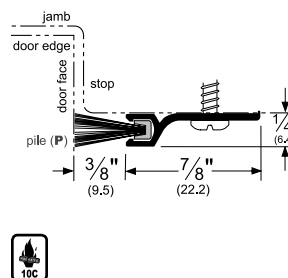
AVAILABLE FINISHES:  
**10BE, A, BSP, D, WSP**  
 REPLACEMENT INSERT: **EV59 (BL, GR, W)**



## 309\_P

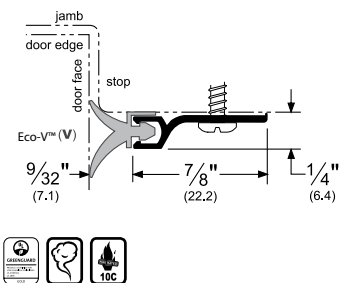
AVAILABLE FINISHES: **10BE, A, BSP, D, WSP**  
 REPLACEMENT INSERT: **P3 (BL, GR)**

- Minimum space between the door face and the stop is  $\frac{3}{16}$ " ; maximum space is  $\frac{5}{16}$ "
- May also be used as a door bottom sweep



## 294\_V

AVAILABLE FINISHES:  
**10BE, A, BSP, D, PW, SN, WSP**  
 REPLACEMENT INSERT: **EV60 (GR)**



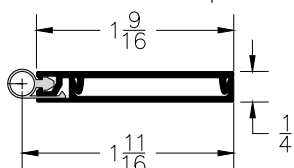
# PERIMETER GASKET SOLUTIONS FOR SLIDING DOORS

- For Seal Set information, please see sets outlined on page 202

## 29394\_PK

AVAILABLE FINISHES: **10BE, BSP, C, D, WSP**  
 REPLACEMENT INSERT: **PK47 (GR, BL)**

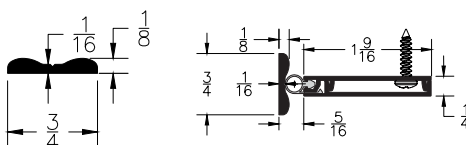
- Perimeter sealing, used with 394 wall-mounted ramp



## 394

AVAILABLE FINISHES:  
**10BE, BSP, C, D, WSP**

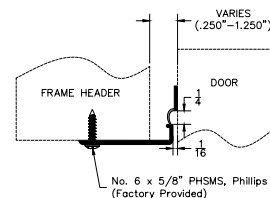
- Wall-mounted ramp used with 29394\_PK



## 950

AVAILABLE FINISHES:  
**10BE, BSP, C, D, WSP**  
 REPLACEMENT INSERT: **PY900 (BL)**

- Head mounted sealing system



NOTE: Products shown in this section may not be drawn to scale.

AVAILABLE FINISHES FOR PRODUCTS SHOWN ON THIS PAGE (see General Information section for finish chart)  
**10BE** (Satin Bronze Powder Coated Aluminum) **A** (Mill Finish Aluminum) **B** (Mill Finish Extruded Bronze [Brass])  
**BDG** (Bright Dip Gold Anodized) **BSP** (Black Suede Powder Coated Aluminum) **C** (Clear Anodized) **D** (Dark Bronze Anodized)  
**G** (Gold Anodized) **PW** (Painted White) **SN** (Satin Nickel Anodized) **WSP** (White Suede Powder Coated Aluminum)

800-824-3018 | www.pemko.com

Check the web site for the up-to-date catalog

Copyright © 2015-2022, ASSA ABLOY Accessories and Door Controls Group, Inc., an ASSA ABLOY Group company. All rights reserved. Reproduction in whole or in part without the express written permission of ASSA ABLOY Accessories and Door Controls Group, Inc. is prohibited.

**PEMKO**  
**ASSA ABLOY**

Experience a safer  
 and more open world

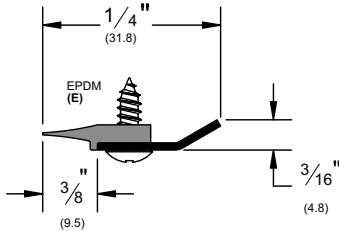


# STAINLESS STEEL PERIMETER GASKETING

- Stainless Steel is a tough and durable material that tolerates exposure to chemicals and heavy use
- Easy to clean to meet sanitary requirements
- Manufactured from 430 Stainless Steel
- Long lasting with low cost of ownership

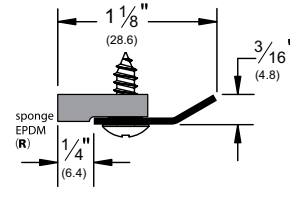
## 305SSE

AVAILABLE FINISH: **SS (#4 Finish)**  
 REPLACEMENT INSERT: **E2 (BL, GR)**  
 ANSI: **R5G164, R5G165**



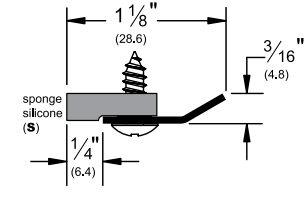
## 305SSR

AVAILABLE FINISH: **SS (#4 Finish)**  
 REPLACEMENT INSERT: **ER1 (BL)**  
 ANSI: **R5G164, R5G165**



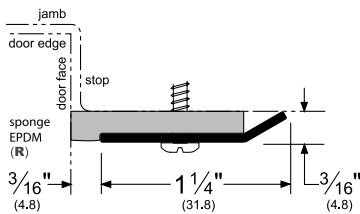
## 305SSS

AVAILABLE FINISH: **SS (#4 Finish)**  
 REPLACEMENT INSERT: **SR1 (BL)**  
 ANSI: **R5E164, R5E165**



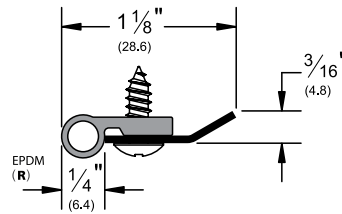
## 315SSR

AVAILABLE FINISH: **SS (#4 Finish)**  
 REPLACEMENT INSERT: **ER2 (BL)**  
 ANSI: **R5G164, R5G165**



## 319SSN

AVAILABLE FINISH: **SS (#4 Finish)**  
 REPLACEMENT INSERT: **E11 (BL)**  
 ANSI: **R5G164, R5G165**



NOTE: Products shown in this section may not be drawn to scale.

AVAILABLE FINISHES FOR PRODUCTS SHOWN ON THIS PAGE (see General Information section for finish chart)

**A** (Mill Finish Aluminum) **B** (Mill Finish Extruded Bronze [Brass]) **BDG** (Bright Dip Gold Anodized)  
**C** (Clear Anodized) **D** (Dark Bronze Anodized) **G** (Gold Anodized) **PW** (Painted White) **SN** (Satin Nickel Anodized)  
**SS** (See Individual Part)



Experience a safer  
and more open world

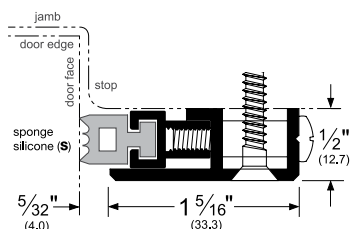


# ADJUSTABLE JAMB GASKETING

- Adjustable jamb gasketing is shown mounted on openings with  $\frac{1}{16}$ " gaps; however, each weatherstrip can seal gaps up to  $\frac{1}{4}$ "
- Adjustable jamb weatherstrip can adjust  $\frac{3}{16}$ " out from the position illustrated

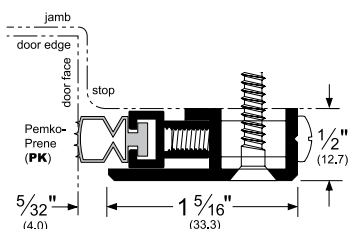
## 379\_S

AVAILABLE FINISHES: **10BE, BSP, C, D, G, WSP**  
 REPLACEMENT INSERT: **SR6 (BL)**  
 ANSI: **R3E264, R3E265**



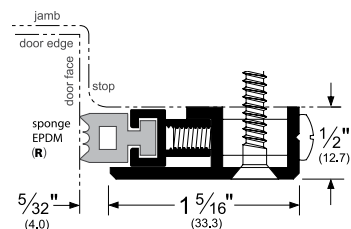
## 379\_PK

AVAILABLE FINISHES: **10BE, BSP, C, D, G, WSP**  
 REPLACEMENT INSERT: **PK4132 (BL)**  
 ANSI: **R3G264, R3G265**



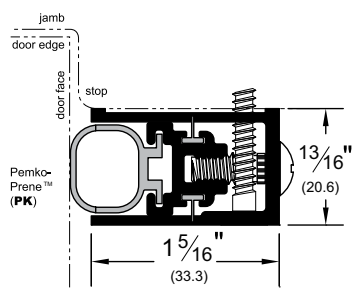
## 379\_R

AVAILABLE FINISHES: **10BE, BSP, C, D, G, WSP**  
 REPLACEMENT INSERT: **E7 (BL)**  
 ANSI: **R3G264, R3G265**



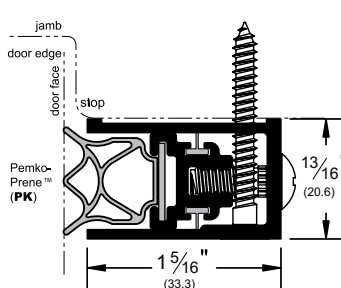
## 322\_SPK

AVAILABLE FINISHES: **10BE, BSP, C, D, G, WSP**  
 REPLACEMENT INSERT: **PK121 (BL)**



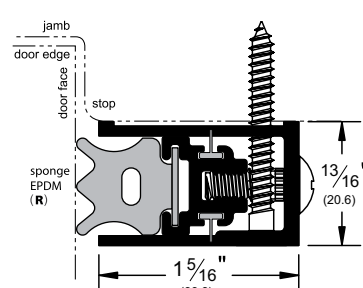
## 350\_SPK

AVAILABLE FINISHES: **10BE, BSP, C, D, G, WSP**  
 REPLACEMENT INSERT: **PK4304 (BL)**  
 ANSI: **R3G164, R3G165**



## 350\_SR

AVAILABLE FINISHES: **10BE, BSP, C, D, G, WSP**  
 REPLACEMENT INSERT: **E4303 (BL)**  
 ANSI: **R3G164, R3G165**

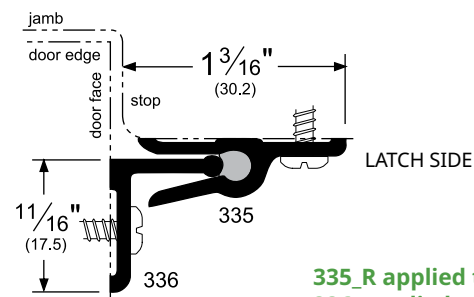


# HEAVY DUTY INTERLOCK PERIMETER GASKETING

## 335\_R

AVAILABLE FINISHES: **A, D**

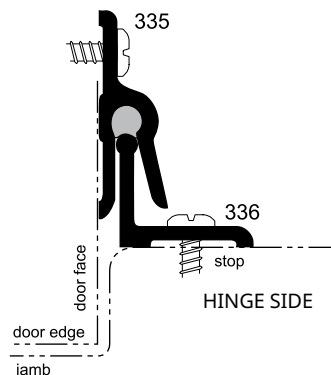
NOTE: Diagram consists of two parts, each sold separately.



**335\_R applied to jamb;**  
**336\_ applied to door.**

## 336\_

AVAILABLE FINISHES: **A, D**



NOTE: Products shown in this section may not be drawn to scale.  
 AVAILABLE FINISHES FOR PRODUCTS SHOWN ON THIS PAGE (see General Information section for finish chart)  
**10BE** (Satin Bronze Powder Coated Aluminum) **A** (Mill Finish Aluminum) **BSP** (Black Suede Powder Coated Aluminum)  
**C** (Clear Anodized) **D** (Dark Bronze Anodized) **G** (Gold Anodized) **WSP** (White Suede Powder Coated Aluminum)

800-824-3018 | www.pemko.com

Check the web site for the up-to-date catalog

Copyright © 2015-2022, ASSA ABLOY Accessories and Door Controls Group, Inc., an ASSA ABLOY Group company. All rights reserved.  
 Reproduction in whole or in part without the express written permission of ASSA ABLOY Accessories and Door Controls Group, Inc. is prohibited.



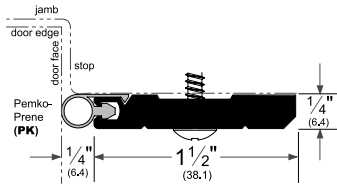
Experience a safer  
 and more open world

# HEAVY DUTY PERIMETER GASKETING - HEAD SECTION

- For the head section of the frame where a parallel arm closer bracket or other hardware is required. Supplied undrilled (36") or drilled (80" and above) and supplied with sheet metal screws for mounting
- If used as a stop, flat head machine screws can be provided upon request and take a countersunk #10 hole. Pemko will drill the head member only if drilling instructions for countersink holes are provided
- All gasketing shown below is sold individually

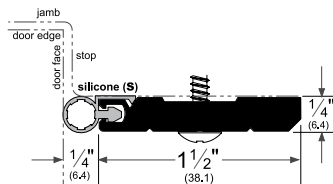
## 2891\_PK

AVAILABLE FINISHES: **10BE, A, BSP, D, G, WSP**  
 REPLACEMENT INSERT: **PK47 (BL, GR)**  
 ANSI: **R3G164, R3G165**



## 2891\_S

AVAILABLE FINISHES: **10BE, A, BSP, D, G, WSP**  
 REPLACEMENT INSERT: **S3 (BL, W)**  
 ANSI: **R3E164, R3E165**

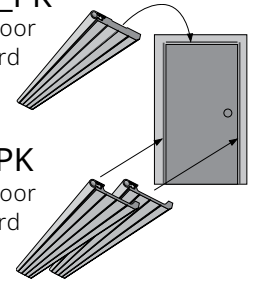


## 2891\_PK

1 per door standard

## 290\_PK

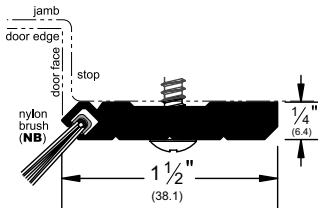
2 per door standard



When ordering a head section such as 2891\_PK, two corresponding side sections (i.e. 290\_PK) should also be ordered for the latch and hinge sides of the frame.

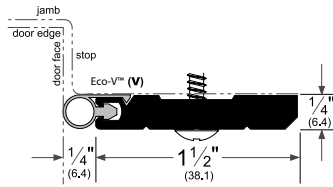
## 28945\_NB

AVAILABLE FINISHES: **10BE, A, BSP, D, G, WSP**  
 REPLACEMENT INSERT: **P14050 (BL, GR)**  
 ANSI: **R3A164, R3A165**



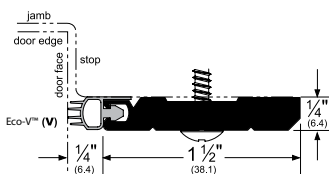
## 2891\_V

AVAILABLE FINISHES: **10BE, A, BSP, D, WSP**  
 REPLACEMENT INSERT: **EV47 (BL, GR, W)**



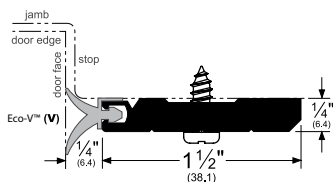
## 2892\_V

AVAILABLE FINISHES: **10BE, A, BSP, D, WSP**  
 REPLACEMENT INSERT: **EV59 (BL, GR, W)**



## 2893\_V

AVAILABLE FINISHES: **10BE, A, BSP, D, WSP**  
 REPLACEMENT INSERT: **EV60 (GR)**



NOTE: Products shown in this section may not be drawn to scale.

AVAILABLE FINISHES FOR PRODUCTS SHOWN ON THIS PAGE (see General Information section for finish chart)

**10BE** (Satin Bronze Powder Coated Aluminum) **A** (Mill Finish Aluminum) **BSP** (Black Suede Powder Coated Aluminum) **D** (Dark Bronze Anodized) **G** (Gold Anodized) **WSP** (White Suede Powder Coated Aluminum)

Special finishes available upon request

**PEMKO**  
**ASSA ABLOY**

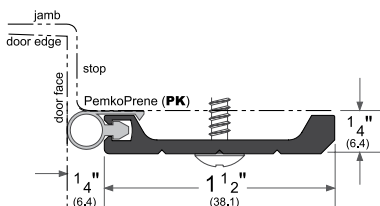
Experience a safer  
 and more open world

## HEAVY DUTY PERIMETER GASKETING - STANDARD JAMB

- For the head section of the frame where a parallel arm closer bracket or other hardware is required. Supplied undrilled (36") or drilled (80" and above) and supplied with sheet metal screws for mounting
- If used as a stop, flat head machine screws can be provided upon request and take a countersunk #10 hole. Pemko will drill the head member only if drilling instructions for countersink holes are provided
- All gasketing shown below is sold individually

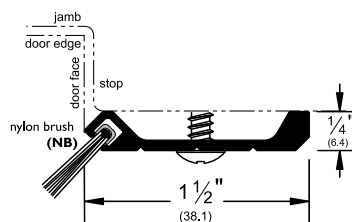
### 290\_PK

AVAILABLE FINISHES: **10BE, A, BSP, D, G, WSP**  
 REPLACEMENT INSERT: **PK47 (BL, GR)**  
 ANSI: **R3G164, R3G165**



### 29045\_NB

AVAILABLE FINISHES: **10BE, A, BSP, D, G, WSP**  
 REPLACEMENT INSERT: **P14050 (BL, GR)**  
 ANSI: **R3A164, R3A165**



### Alternate Inserts For 290

#### 290\_S

AVAILABLE FINISHES: **A, D, G**  
 REPLACEMENT INSERT: **S3 (BL, W)**  
 ANSI: **R3E164, R3E165**



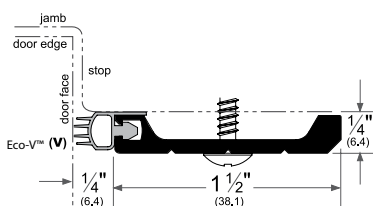
#### 290\_V

AVAILABLE FINISHES: **A, D, G**  
 REPLACEMENT INSERT: **EV47 (BL, GR, W)**



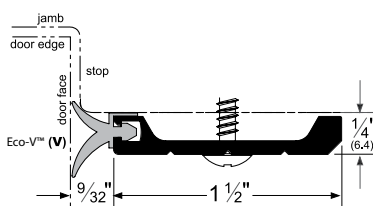
### 2902\_V

AVAILABLE FINISHES: **10BE, A, BSP, D, G, WSP**  
 REPLACEMENT INSERT: **EV59 (BL, GR, W)**



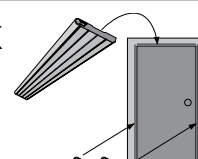
### 2903\_V

AVAILABLE FINISHES: **10BE, A, BSP, D, G, WSP**  
 REPLACEMENT INSERT: **EV60 (GR)**



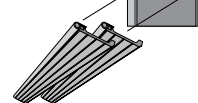
### 2891\_PK

1 per door standard



### 290\_PK

2 per door standard



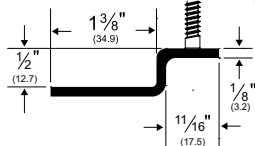
When ordering a head section such as 2891\_PK, two corresponding side sections (i.e. 290\_PK) should also be ordered for the latch and hinge sides of the frame.

## PERIMETER GASKET JAMB BRACKETS

- For use with standard perimeter gasket profiles when opening utilizes a parallel arm closer
- Mount perimeter gasket first, then bracket over the profile. Closer bracket will mount to face of bracket.
- Furnished in paintable galvanized steel (SP) or gray prime coat (G); available in powder coated finishes
- Supplied in 6" lengths

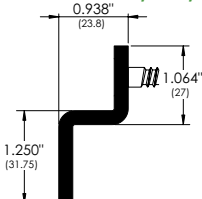
### BKT050\_

AVAILABLE FINISHES: **10BE, BSP, SP, G, WSP**



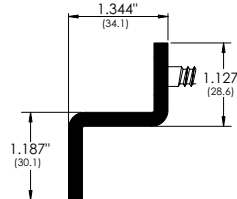
### BKT075\_

AVAILABLE FINISHES: **10BE, BSP, SP, G, WSP**



### BKT1532\_

AVAILABLE FINISHES: **10BE, BSP, SP, G, WSP**



NOTE: Products shown in this section may not be drawn to scale.

AVAILABLE FINISHES FOR PRODUCTS SHOWN ON THIS PAGE  
 (see General Information section for finish chart)

**10BE** (Satin Bronze Powder Coated Aluminum) **A** (Mill Finish Aluminum) **BSP** (Black Suede Powder Coated Aluminum)  
**D** (Dark Bronze Anodized) **G** (Gold Anodized) **WSP** (White Suede Powder Coated Aluminum)

AVAILABLE BRACKET FINISHES FOR PRODUCTS SHOWN ON THIS PAGE  
**G** (Gray Prime Painted Steel) **SP** (Galvanized Steel)

800-824-3018 | www.pemko.com

Check the web site for the up-to-date catalog

Copyright © 2015-2022, ASSA ABLOY Accessories and Door Controls Group, Inc., an ASSA ABLOY Group company. All rights reserved.  
 Reproduction in whole or in part without the express written permission of ASSA ABLOY Accessories and Door Controls Group, Inc. is prohibited.

**PEMKO**  
**ASSA ABLOY**

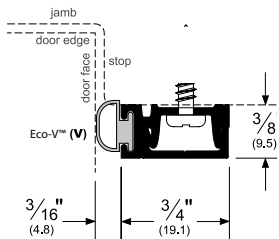
Experience a safer  
 and more open world

# SNAP COVER PERIMETER GASKETING WITH CONCEALED FASTENERS

- Low-profile snap cover conceals mounting screws to provide security and a clean aesthetic appearance
- Cover snaps securely in place to deter vandalism
- All clear anodized brush products are supplied with gray brush (black brush available upon request)

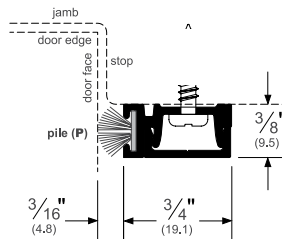
## 29310\_V

AVAILABLE FINISHES: **10BE, BSP, C, D, G, WSP**  
REPLACEMENT INSERT: **EV41 (BL, GR, W)**



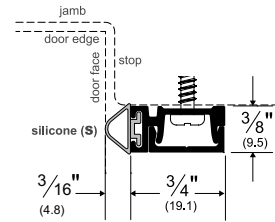
## 29310\_P

AVAILABLE FINISHES: **10BE, BSP, C, D, G, WSP**  
REPLACEMENT INSERT: **P2 (BL, GR)**



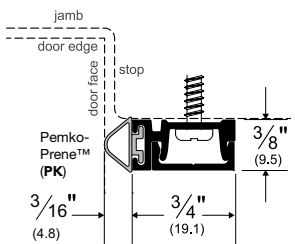
## 29310\_S

AVAILABLE FINISHES: **10BE, BSP, C, D, G, WSP**  
REPLACEMENT INSERT: **S4 (BL, GR)**  
ANSI: **R3E164, R3E165**



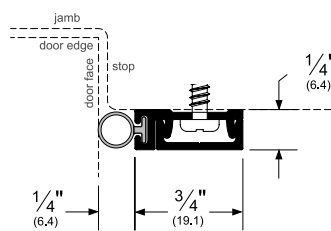
## 29310\_PK

AVAILABLE FINISHES: **10BE, BSP, C, D, G, WSP**  
REPLACEMENT INSERT: **PK4 (BL, GR)**  
ANSI: **R3G164, R3G165**



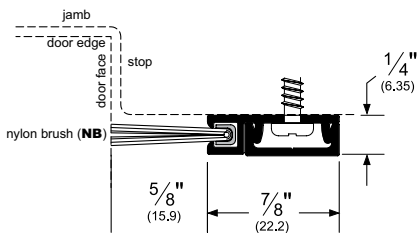
## 29313\_PK

AVAILABLE FINISHES: **10BE, BSP, C, D, G, WSP**  
REPLACEMENT INSERT: **PK588 (BL)**



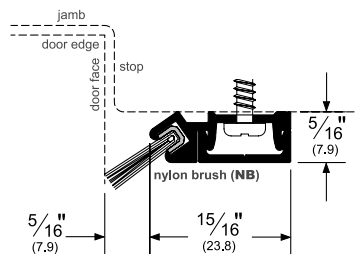
## 29326\_NB

AVAILABLE FINISHES: **10BE, BSP, C, D, G, WSP**  
REPLACEMENT INSERT: **P516062 (BL, GR, W)**  
ANSI: **R3A164, R3A165**



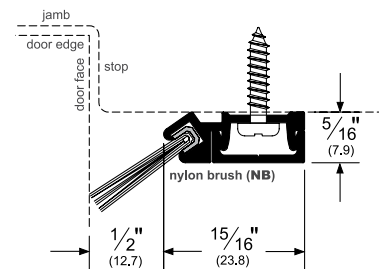
## 29344\_NB

AVAILABLE FINISHES: **10BE, BSP, C, D, G, WSP**  
REPLACEMENT INSERT: **P516041 (BL, GR)**  
ANSI: **R3A164**



## 29346\_NB

AVAILABLE FINISHES: **10BE, BSP, C, D, G, WSP**  
REPLACEMENT INSERT: **P516062 (BL, GR, W)**  
ANSI: **R3A164**



NOTE: Products shown in this section may not be drawn to scale.

AVAILABLE FINISHES FOR PRODUCTS SHOWN ON THIS PAGE (see General Information section for finish chart)  
**10BE** (Satin Bronze Powder Coated Aluminum) **BSP** (Black Suede Powder Coated Aluminum) **C** (Clear Anodized)  
**D** (Dark Bronze Anodized) **G** (Gold Anodized) **WSP** (White Suede Powder Coated Aluminum)

**PEMKO**  
**ASSA ABLOY**

Experience a safer  
and more open world

800-824-3018 | [www.pemko.com](http://www.pemko.com)  
Check the web site for the up-to-date catalog

Copyright © 2015-2022, ASSA ABLOY Accessories and Door Controls Group, Inc., an ASSA ABLOY Group company. All rights reserved.  
Reproduction in whole or in part without the express written permission of ASSA ABLOY Accessories and Door Controls Group, Inc. is prohibited.

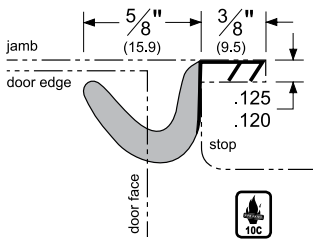
# KERF-IN WEATHERSTRIP

## Foam

- Pemko's "Q" foam kerf-in weatherstrip is constructed from soft cell foam enclosed by an embossed, tear-resistant, low-friction, UV-stable polyethylene cover
- Includes rigid PVC insert with extended flange for fast and easy kerf installation

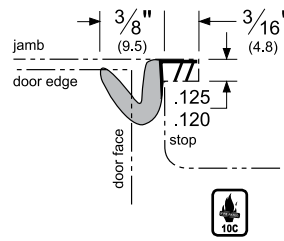
### Q102\_

AVAILABLE FINISHES: **BL, D, W**  
 AVAILABLE LENGTHS: **36", 85", 97", 121"**  
 Minimum space between the door face and the stop is  $\frac{5}{16}$ "; maximum space is  $\frac{1}{2}$ "



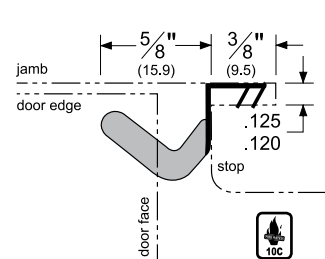
### Q103\_

AVAILABLE FINISHES: **BL, D, W**  
 AVAILABLE LENGTHS: **36", 85", 97", 121"**  
 Minimum space between the door face and the stop is  $\frac{3}{16}$ "; maximum space is  $\frac{5}{16}$ "



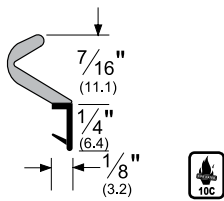
### Q106\_

AVAILABLE FINISHES: **D, W**  
 AVAILABLE LENGTHS: **36", 85", 97", 121"**  
 Minimum space between the door face and the stop is  $\frac{5}{16}$ "; maximum space is  $\frac{1}{2}$ "



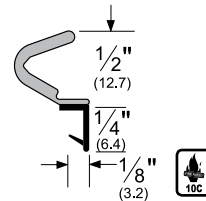
### Q107\_

AVAILABLE FINISHES: **BL, W**  
 Minimum space between the door face and the stop is  $\frac{1}{8}$ "; maximum space is  $\frac{7}{16}$ "  
 Sold per foot (specify length)



### Q108\_

AVAILABLE FINISHES: **BL, W**  
 Minimum space between the door face and the stop is  $\frac{1}{8}$ "; maximum space is  $\frac{1}{2}$ "  
 Sold per foot (specify length)

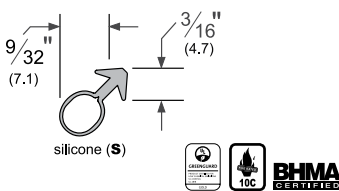


## Silicone

- Extruded from platinum cross-linked silicon
- Self-extinguishing and non-toxic
- Unaffected by sunlight, ozone, and ultraviolet rays
- Impervious to fungus and mildew; will not deteriorate under normal exposure
- Available in 100ft lengths

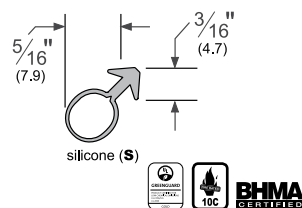
### S104\_100

AVAILABLE FINISHES: **D, W**  
 ANSI: **ROE156**  
 Minimum space between the door face and the stop is  $\frac{1}{16}$ "; maximum space is  $\frac{1}{4}$ "



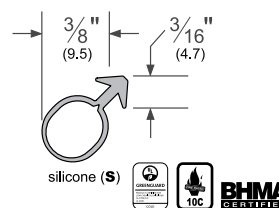
### S109\_100

AVAILABLE FINISHES: **D, W**  
 ANSI: **ROE156**  
 Minimum space between the door face and the stop is  $\frac{1}{16}$ "; maximum space is  $\frac{5}{16}$ "



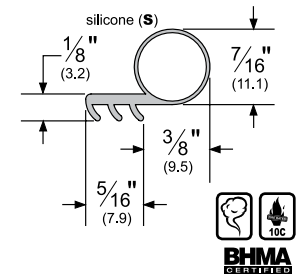
### S105\_100

AVAILABLE FINISHES: **D, W**  
 ANSI: **ROE156**  
 Minimum space between the door face and the stop is  $\frac{1}{16}$ "; maximum space is  $\frac{3}{8}$ "



### S52\_100

AVAILABLE FINISHES: **BL, W**  
 ANSI: **ROE154**  
 Minimum space between the door face and the stop is  $\frac{1}{16}$ "; maximum space is  $\frac{3}{8}$ "



NOTE: Products shown in this section may not be drawn to scale.

AVAILABLE FINISHES FOR PRODUCTS SHOWN ON THIS PAGE (see General Information section for finish chart)

**BL** (Black) **D** (Dark Brown) **W** (White)

800-824-3018 | [www.pemko.com](http://www.pemko.com)

Check the web site for the up-to-date catalog

Copyright © 2015-2022, ASSA ABLOY Accessories and Door Controls Group, Inc., an ASSA ABLOY Group company. All rights reserved. Reproduction in whole or in part without the express written permission of ASSA ABLOY Accessories and Door Controls Group, Inc. is prohibited.

**PEMKO**  
**ASSA ABLOY**

Experience a safer  
 and more open world

# KERF-IN WEATHERSTRIP (Cont.)

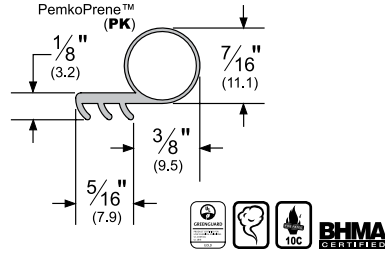
## PK52\_

AVAILABLE FINISHES: **BL, W**

ANSI: **ROG154**

AVAILABLE LENGTHS: **18', 20', 300'**

- Minimum space between the door face and the stop is  $\frac{1}{16}$ "; maximum space is  $\frac{3}{8}$ "

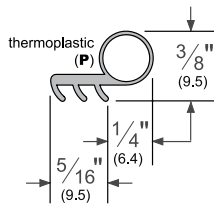


## P50\_

AVAILABLE FINISHES: **BL, W**

AVAILABLE LENGTHS: **17', 25', 250'**

- Minimum space between the door face and the stop is  $\frac{1}{16}$ "; maximum space is  $\frac{5}{16}$ ".
- Thermoplastic elastomer formulation will not transmigrate; remains flexible to -60° F

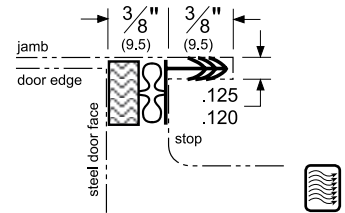


## MAG349\_

AVAILABLE FINISHES: **D, W**

AVAILABLE LENGTHS: **37", 85", 96", 121"**

- Minimum space between the door face and the stop is  $\frac{3}{8}$ "; maximum space is  $\frac{7}{16}$ "
- Magnetic kerf-in weatherstrip features a magnetic strip encased by a UV-stable TPE cover
- Use for steel-faced door and wood frame applications
- Can be trimmed in the field and corner-mitered

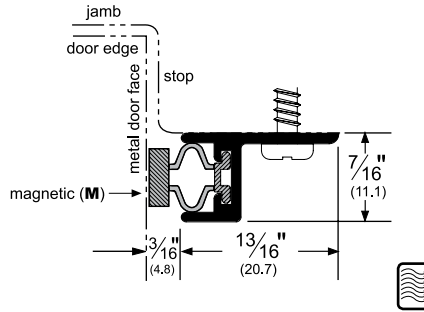


# MAGNETIC WEATHERSTRIP

## 2815\_M

AVAILABLE FINISHES: **C, D, G**

REPLACEMENT INSERT: **2815MAG**



# ADHESIVE PERIMETER GASKETING

For more information on these perimeter gasketing products, please see the Adhesive Gasketing section.

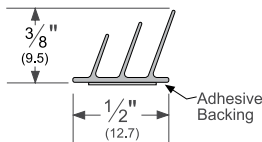
## S773\_

AVAILABLE FINISHES: **BL, D, GR, W**

AVAILABLE LENGTHS: **17', 18', 20', 21', 25', 30', 204', 500'**

ANSI: **ROE154, ROE155**

- Triple-fin design blocks light and sound from infiltrating a room
- Product designed as hospitality gasketing (see more hospitality products in the Hospitality Products section)
- Seal begins compressing at  $\frac{3}{8}$ "; compresses to seal up to a  $\frac{1}{16}$ " gap



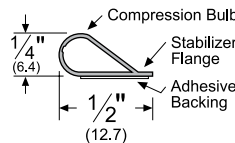
## S88\_

AVAILABLE FINISHES: **BL, C, D, GR, TAN, W**

AVAILABLE LENGTHS: **17', 18', 20', 21', 25', 30', 204', 510'**

ANSI: **ROE154, ROE155**

- Seal begins compressing at  $\frac{1}{4}$ "; compresses to seal up to a  $\frac{1}{16}$ " gap
- Available with perforations for Behavioral Health applications. Substitute "P" in place of "S" to order this option.



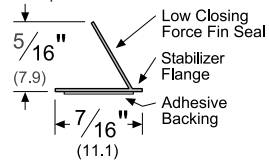
## S44\_

AVAILABLE FINISHES: **BL, C, D, GR, W**

AVAILABLE LENGTHS: **17', 18', 20', 21', 25', 30', 204', 510'**

ANSI: **ROE154, ROE155**

- Designed for tighter frames.
- Demonstrates extremely low closing force.
- Seal begins compressing at  $\frac{5}{16}$ "; compresses to seal up to a  $\frac{1}{16}$ " gap
- Available with perforations for Behavioral Health applications. Substitute "P" in place of "S" to order this option.



NOTE: Products shown in this section may not be drawn to scale.

AVAILABLE FINISHES FOR PRODUCTS SHOWN ON THIS PAGE (see General Information section for finish chart)

Adhesive Gasketing Colors: **BL** (Black) **C** (Clear) **D** (Dark Brown) **GR** (Light Gray) **TAN** (Tan) **W** (White)

**PEMKO**  
**ASSA ABLOY**

Experience a safer  
and more open world

# ADHESIVE PERIMETER GASKETING (Cont.)

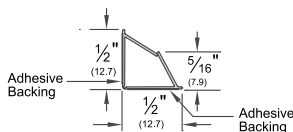
For more information on these perimeter gasketing products, please see the Adhesive Gasketing section.

## S442\_

AVAILABLE FINISHES: **BL, D, W**  
 AVAILABLE LENGTHS: **17', 18', 20', 21', 25', 30', 510'**

ANSI: **ROE154, ROE155**

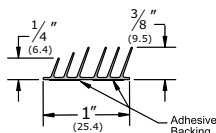
- Fits flush into corner
- Seal begins compressing at  $\frac{5}{16}$ "; compresses to seal up to a  $\frac{1}{16}$ " gap



## S776\_

AVAILABLE FINISHES: **BL**  
 AVAILABLE LENGTHS: **17', 18', 20', 21', 25', 30'**  
 ANSI: **ROE154, ROE155**

- Designed for hollow metal and wood meeting stile applications
- Seal begins compressing at  $\frac{3}{8}$ "; compresses to seal up to a  $\frac{1}{16}$ " gap

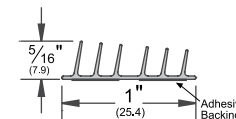


## S771x6\_

AVAILABLE FINISH: **BL**  
 AVAILABLE LENGTHS: **7', 8', 10', 17', 18', 20', 21', 25'**

ANSI: **ROE154, ROE155**

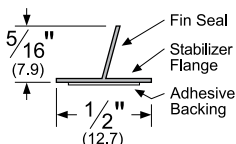
- Designed for hollow metal and wood meeting stile applications
- Seal begins compressing at  $\frac{5}{16}$ "; compresses to seal up to a  $\frac{1}{16}$ " gap



## S77\_

AVAILABLE FINISHES: **C, BL, D, W**  
 AVAILABLE LENGTHS: **17', 18', 20', 21', 25', 30'**  
 ANSI: **ROE154, ROE155**

- Designed for hollow metal and wood meeting stile applications.
- Seal begins compressing at  $\frac{5}{16}$ "; compresses to seal up to a  $\frac{1}{16}$ " gap

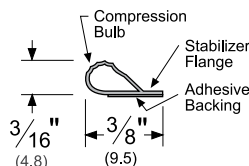


## PK33\_

AVAILABLE FINISHES: **BL, D, W**  
 AVAILABLE LENGTHS: **17', 18', 20', 21', 25', 30', 510'**

ANSI: **ROG154, ROG155**

- Designed for tighter frames.
- Demonstrates extremely low closing force.
- Seal begins compressing at  $\frac{3}{16}$ "; compresses to seal up to a  $\frac{1}{16}$ " gap

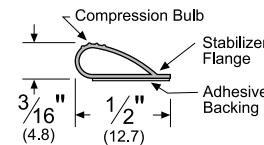


## PK55\_

AVAILABLE FINISHES: **BL, D, W**  
 AVAILABLE LENGTHS: **17', 18', 20', 21', 25', 30', 510'**

ANSI: **ROG154, ROG155**

- Designed for tighter frames.
- Demonstrates extremely low closing force.
- Seal begins compressing at  $\frac{3}{16}$ "; compresses to seal up to a  $\frac{1}{16}$ " gap

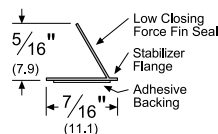


# MICROSHIELD® ANTIMICROBIAL ADHESIVE GASKETING

## AM44\_

AVAILABLE FINISHES: **BL, C, D, W**  
 AVAILABLE LENGTHS: **17', 18', 20', 21', 25', 30', 510'**

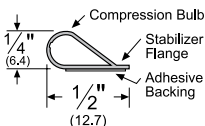
ANSI: **R8E154, ROE155**



## AM88\_

AVAILABLE FINISHES: **BL, C, D, W**  
 AVAILABLE LENGTHS: **17', 18', 20', 21', 25', 30', 510'**

ANSI: **R8E154, ROE155**



### NOTES FOR ALL ADHESIVE GASKETING:

Storage and shelf life: All adhesive gaskets have a limited shelf life. This product must be installed within 6 months of purchase and must be stored between 50°F and 100°F. For further notes/details, please see Adhesive Gasketing section.

NOTE: Products shown in this section may not be drawn to scale.

AVAILABLE FINISHES FOR PRODUCTS SHOWN ON THIS PAGE (see General Information section for finish chart)

Adhesive Gasketing Colors: **BL** (Black) **C** (Clear) **D** (Dark Brown) **GR** (Light Gray) **W** (White)

800-824-3018 | www.pemko.com

Check the web site for the up-to-date catalog

Copyright © 2015-2022, ASSA ABLOY Accessories and Door Controls Group, Inc., an ASSA ABLOY Group company. All rights reserved. Reproduction in whole or in part without the express written permission of ASSA ABLOY Accessories and Door Controls Group, Inc. is prohibited.

**PEMCO**  
**ASSA ABLOY**

Experience a safer  
 and more open world



# EXCESSIVE GAP PERIMETER SOLUTION

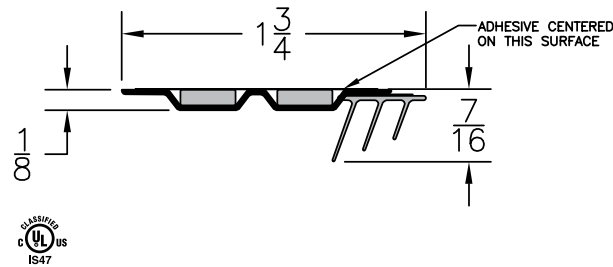
## XG90KIT

- Brings fire-rated doors with excessive vertical and head gaps back into spec - up to 3/8"
- UL Classified for 90-minutes
- Kit includes both products shown below

## HSS20XGxS773

- Pressure sensitive adhesive backing

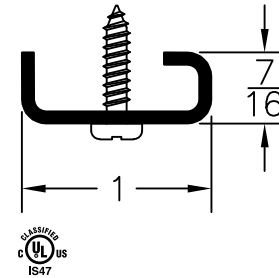
AVAILABLE FINISH: **BL, W**



## XG900

- 16ga galvanized steel
- Can be screw applied or welded to metal frame if welded, specify with "no holes" for clean appearance
- Can be field painted to match the frame

AVAILABLE FINISH: **SP, SPBSP, SPWSP, SP10BE**



# INTERLOCK WEATHERSTRIP FOR WOOD WINDOWS

## Corrugated Rib Strips

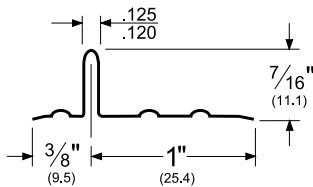
- Corrugated rib strips are made from .015" spring bronze (B) or .0172" galvanized steel (Z)
- \_4C and \_6C are only available in 96" lengths

### \_4C (1 3/8" width)

AVAILABLE FINISHES: **B, Z**

### \_6C (1 7/8" width)

AVAILABLE FINISH: **Z**



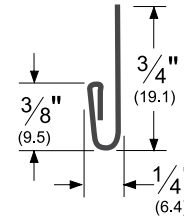
\_4C (1 3/8" width) shown above; also available in \_6C (1 7/8" width) in galvanized steel (Z) only

## Flat Hooks

- \_10 Flat hooks are made from .026" spring bronze (B) or .0172" galvanized steel (Z)

### \_10

AVAILABLE FINISHES: **B, Z**  
AVAILABLE LENGTHS: **96"**



## Plain Rib Strips

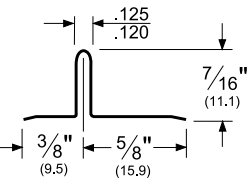
- Plain rib strips are made from .015" spring bronze (B) or .0172" galvanized steel (Z)

### \_2P (1" width)

AVAILABLE FINISHES: **B, Z**

### \_4P (1 3/8" width)

AVAILABLE FINISHES: **B, Z**



\_2P (1" width) shown at left; also available in \_4P (1 3/8" width).  
\_2P and \_4P available in 96" lengths only

NOTE: Products shown in this section may not be drawn to scale.

AVAILABLE FINISHES FOR PRODUCTS SHOWN ON THIS PAGE (see General Information section for finish chart)

**10BE** (Satin Bronze Powder) **A** (Mill Finish Aluminum) **B** (Bronze) **BSP** (Black Suede Powder)

**D** (Dark Bronze Anodized Aluminum) **SP** (Galvanized Steel) **WSP** (White Suede Powder) **Z** (Galvanized Steel)

800-824-3018 | www.pemko.com

Check the web site for the up-to-date catalog



Experience a safer and more open world



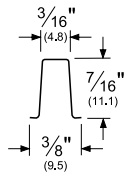
## INTERLOCK WEATHERSTRIP FOR WOOD DOORS

- Fasteners available at additional cost

### Liner Strip

- Made from .008" spring bronze (B)

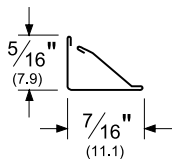
**\_30**  
 AVAILABLE FINISH: **B**  
 AVAILABLE LENGTHS: **96"**



### Lock Strip

- Made from .008" spring bronze (B)

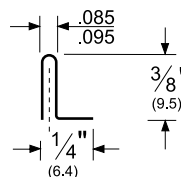
**\_331**  
 AVAILABLE FINISH: **B**  
 AVAILABLE LENGTHS: **6", 96"**



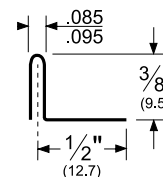
### "L" Metal

- Bronze or zinc-plated wafer head drive screws available for \_41M (sold separately)

**\_41M**  
 AVAILABLE FINISHES: **B, Z**  
 AVAILABLE LENGTHS: **96"**



**\_43**  
 AVAILABLE FINISH: **B**  
 AVAILABLE LENGTHS: **96"**

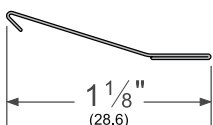


## CUSHION/SPRING WEATHERSTRIP FOR WOOD OR METAL DOORS AND WINDOWS

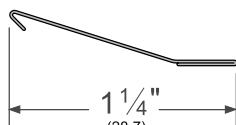
### Spring Bronze - Wood Doors/Windows

- Spring bronze weatherstrip fits wood doors and wood casement windows
- Made from .008" hemmed spring bronze/brass (B)
- Nails should be approximately 1 1/2" on center (sold separately)

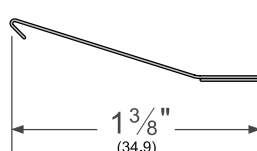
**\_70C-100**  
 AVAILABLE FINISH: **B**  
 AVAILABLE LENGTHS: **100'**



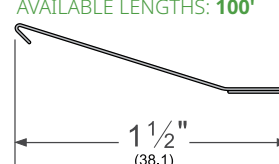
**\_70D-100**  
 AVAILABLE FINISH: **B**  
 AVAILABLE LENGTHS: **100'**



**\_70E-100**  
 AVAILABLE FINISH: **B**  
 AVAILABLE LENGTHS: **100'**



**\_70F-100**  
 AVAILABLE FINISH: **B**  
 AVAILABLE LENGTHS: **100'**



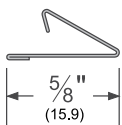
### P51B17

P51B17 is 17 feet of \_70C  
 Packaged with nails

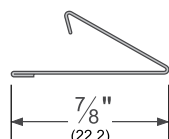
## CUSHION ("V") - WOOD OR METAL DOORS

- Cushion weatherstrip fits wood or metal doors
- Made from .008" hemmed spring bronze/brass (B)
- Nails should be approximately 3" on center (sold separately)
- Gap coverage is 1/8" minimum to 3/16" maximum

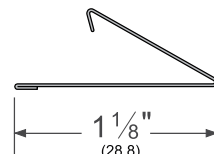
**\_73**  
 AVAILABLE FINISH: **B**  
 AVAILABLE LENGTHS: **96"**



**\_74**  
 AVAILABLE FINISH: **B**  
 AVAILABLE LENGTHS: **96"**



**\_75**  
 AVAILABLE FINISH: **B**  
 AVAILABLE LENGTHS: **96"**



## FASTENERS FOR CUSHION, SPRING AND INTERLOCK WEATHERSTRIP

- Fasteners for cushion, spring, and interlock weatherstrip are sold separately unless otherwise specified

**NL1678\_**  
 AVAILABLE FINISHES: **BL, BP, Z**  
 For Wood: #16 x 7/8" flat head nail



**NL1634\_**  
 AVAILABLE FINISHES: **BB, SS**  
 For Wood: #16 x 3/4" flat head nail



**PEMKO**  
**ASSA ABLOY**

800-824-3018 | www.pemko.com

Check the web site for the up-to-date catalog

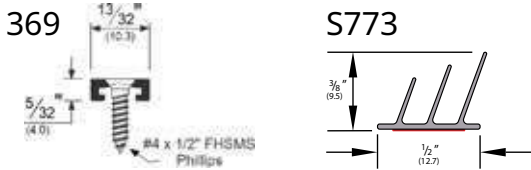
Copyright © 2015-2022, ASSA ABLOY Accessories and Door Controls Group, Inc., an ASSA ABLOY Group company. All rights reserved. Reproduction in whole or in part without the express written permission of ASSA ABLOY Accessories and Door Controls Group, Inc. is prohibited.

Experience a safer  
 and more open world

# PRIVACY SEALS FOR SLIDING DOORS

## PEMKOSFSET1

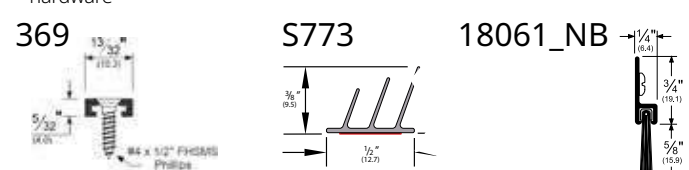
- Will seal gaps 1/8 to 3/8" for barn door sliding hardware
- Works with any sliding door hardware
- Requires 1/2" frame to keep the gasket from marring the wall



Standard Kit Sizes		
Finish	Product	Color
C	369C	Clear Anodized
	S773GR	Gray
D	369D	Dark Bronze Anodized
	S773BL	Black
PW	369C	Clear Anodized
	S773PW	White

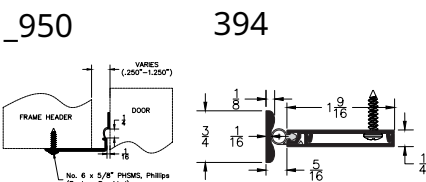
## PEMKOSFSET2

- Will seal gaps 1/8 to 3/8" for barn door sliding hardware
- Works with any sliding door hardware
- Requires 1/2" frame to keep the gasket from marring the wall
- Includes a surface mounted bottom seal



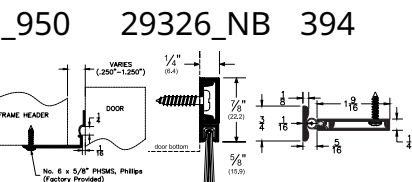
Standard Kit Sizes		
Finish	Product	Color
C	369C	Clear Anodized
	S773GR	Gray
	18061CNB	Clear Anodized, Gray Brush
D	369D	Dark Bronze Anodized
	S773BL	Black
	18061DNB	Dark Bronze Anodized, Black Brush
PW	369C	Clear Anodized
	S773PW	White
	18061PWNB	Painted White

## PEMKOSFSET3



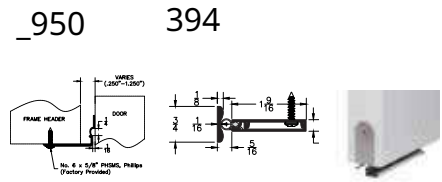
Standard Kit Sizes		
Finish	Product	Color
10BE	29394-10BE-PK	Satin Bronze Powder Coat with Black PemkoPrene™
	394-10BE	Satin Bronze Powder Coat
	950-10BE	Satin Bronze Powder Coat
	PY900BL	Black
C	29394CPK	Clear Anodized with Black PemkoPrene™
	394C	Clear Anodized
	950C	Clear Anodized
BSP	29394BSPPK	Black Suede Powder Coat with Black PemkoPrene™
	394BSP	Black Suede Powder Coat
	950BSP	Black Suede Powder Coat
	PY900BL	Black
D	29394DPK	Dark Bronze Anodized with Black PemkoPrene™
	394D	Dark Bronze Anodized
	950D	Dark Bronze Anodized
	PY900BL	Black
WSP	29394WSPPK	White Suede Powder Coat with Black PemkoPrene™
	394WSP	White Suede Powder Coat
	950WSP	White Suede Powder Coat
	PY900BL	Black

## PEMKOSFSET4



Standard Kit Sizes		
Finish	Product	Color
10BE	29394-10BE-PK	Satin Bronze Powder Coat with Black PemkoPrene™
	394-10BE	Satin Bronze Powder Coat
	950-10BE	Satin Bronze Powder Coat
	PY900BL	Black
C	29326-10BE-NB	Satin Bronze Powder Coat with Black Nylon Brush
	29394CPK	Clear Anodized with Black PemkoPrene™
	394C	Clear Anodized
BSP	29394BSPPK	Black Suede Powder Coat with Black PemkoPrene™
	394BSP	Black Suede Powder Coat
	950BSP	Black Suede Powder Coat
	PY900BL	Black
D	29326BSPNB	Black Suede Powder Coat with Black Nylon Brush
	29394DPK	Dark Bronze Anodized with Black PemkoPrene™
	394D	Dark Bronze Anodized
	950D	Dark Bronze Anodized
WSP	29326WSPNB	White Suede Powder Coat with White Nylon Brush
	29394WSPPK	White Suede Powder Coat with Black PemkoPrene™
	394WSP	White Suede Powder Coat
	950WSP	White Suede Powder Coat

## PEMKOSFSET5

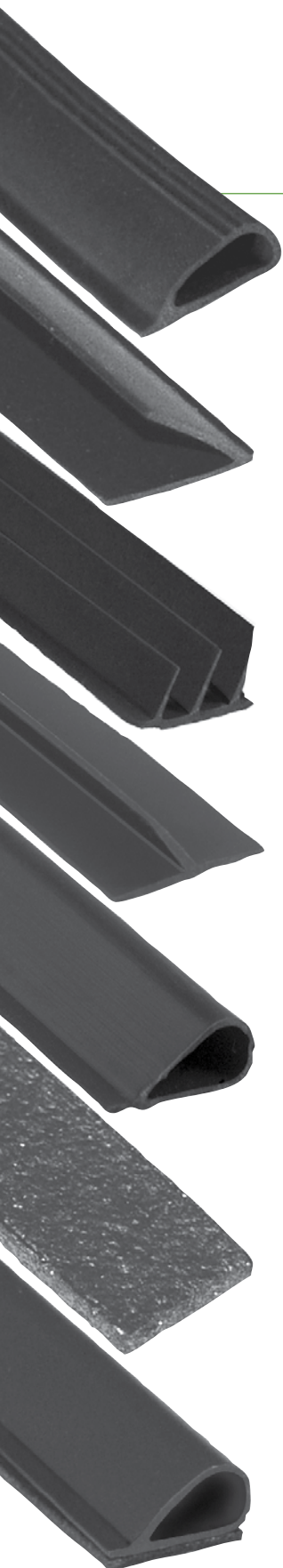


Standard Kit Sizes		
Finish	Product	Color
10BE	29394-10BE-PK	Satin Bronze Powder Coat with Black PemkoPrene™
	394-10BE	Satin Bronze Powder Coat
	950-10BE	Satin Bronze Powder Coat
	PY900BL	Black
C	29394CPK	Clear Anodized with Black PemkoPrene™
	394C	Clear Anodized
	950C	Clear Anodized
	PY900BL	Black
BSP	29394BSPPK	Black Suede Powder Coat with Black PemkoPrene™
	394BSP	Black Suede Powder Coat
	950BSP	Black Suede Powder Coat
	PY900BL	Black
D	29394DPK	Dark Bronze Anodized with Black PemkoPrene™
	394D	Dark Bronze Anodized
	950D	Dark Bronze Anodized
	PY900BL	Black
WSP	29394WSPPK	White Suede Powder Coat with Black PemkoPrene™
	394WSP	White Suede Powder Coat
	950WSP	White Suede Powder Coat
	PY900BL	Black



Experience a safer and more open world

800-824-3018 | www.pemko.com  
Check the web site for the up-to-date catalog



# PEMKO ADHESIVE GASKETING

## CONTENTS:

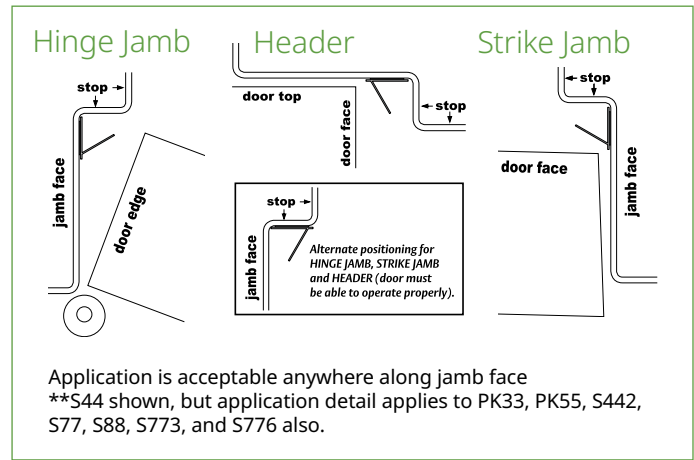
SiliconSeal Adhesive-Backed Fire/Smoke Gasketing .....	204
PemkoPrene® Adhesive-Backed Fire/Smoke Gasketing .....	205
SiliconSeal Adhesive-Backed Meeting Stile Gasketing .....	205
MicroShield® Antimicrobial Gasketing .....	206
Hot Smoke Seal/SiliconSeal Combination Fire/Smoke Sealing .....	206

## INDEX:

<u>PRODUCT</u>	<u>PAGE</u>	<u>PRODUCT</u>	<u>PAGE</u>
AM44 .....	206	S77 .....	204
AM88 .....	206	S88 .....	204
HSS1000 .....	206	S442 .....	204
HSS2000 .....	206	S771 .....	205
HSS2000xS44 .....	206	S771x6 .....	205
HSS2000xS88 .....	205	S772 .....	205
PK33 .....	205	S773 .....	204
PK55 .....	205	S776 .....	204
S44 .....	204		

# SILICONSEAL ADHESIVE-BACKED FIRE/SMOKE GASKETING

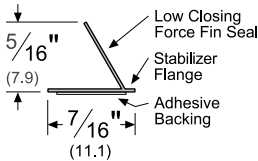
- SiliconSeal is extruded from high-temperature silicone; effective between -58°F and 450°F
- Self-extinguishing and non-toxic; unaffected by sunlight, ozone, and ultraviolet rays
- Impervious to fungus and mildew; will not deteriorate under normal exposure
- Meets FAR 25.853 Airworthiness Standards for Compartment Interiors



## S44\_

AVAILABLE FINISHES: **BL, C, D, GR, W**  
 AVAILABLE LENGTHS: **17', 18', 20', 21', 25', 30', 204', 510'**  
 ANSI: **ROE154, ROE155**

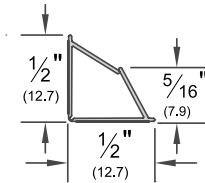
- Designed for tighter frames
- Demonstrates extremely low closing force
- Seal begins compressing at  $5/16"$ ; compresses to seal up to a  $1/16"$  gap



## S442\_

AVAILABLE FINISHES: **BL, D, W**  
 AVAILABLE LENGTHS: **17', 18', 20', 21', 25', 30', 510'**  
 ANSI: **ROE154, ROE155**

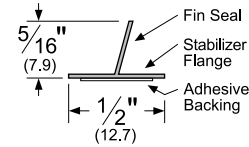
- Fits flush into corner
- Seal begins compressing at  $5/16"$ ; compresses to seal up to a  $1/16"$  gap in either direction



## S77\_

AVAILABLE FINISHES: **BL, C, D, W**  
 AVAILABLE LENGTHS: **17', 18', 20', 21', 25', 30', 204', 500'**  
 ANSI: **ROE154, ROE155**

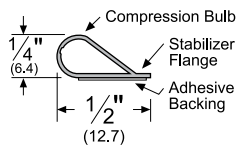
- Designed for hollow metal and wood meeting stile applications
- Seal begins compressing at  $5/16"$ ; compresses to seal up to a  $1/16"$  gap



## S88\_

AVAILABLE FINISHES: **BL, C, D, GR, TAN, W**  
 AVAILABLE LENGTHS: **17', 18', 20', 21', 25', 30', 204', 510'**  
 ANSI: **ROE154, ROE155**

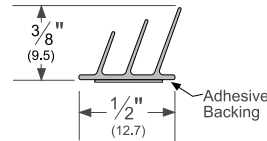
- Seal begins compressing at  $1/4"$ ; compresses to seal up to a  $1/16"$  gap



## S773\_

AVAILABLE FINISHES: **BL, D, GR, W**  
 AVAILABLE LENGTHS: **17', 18', 20', 21', 25', 30', 250', 500'**  
 ANSI: **ROE154, ROE155**

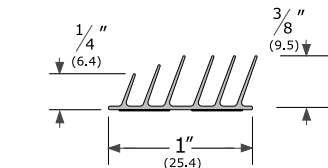
- Triple-fin design effectively blocks light and sound from infiltrating a room
- Seal begins compressing at  $3/8"$ ; compresses to seal up to a  $1/16"$  gap



## S776\_

AVAILABLE FINISHES: **BL**  
 AVAILABLE LENGTHS: **17', 18', 20', 21', 25', 30'**  
 ANSI: **ROE154, ROE155**

- Designed for hollow metal and wood meeting stile applications
- Seal begins compressing at  $3/8"$ ; compresses to seal up to a  $1/16"$  gap



**PEMKO**  
**ASSA ABLOY**

Experience a safer and more open world

AVAILABLE FINISHES FOR PRODUCTS SHOWN ON THIS PAGE (see General Information section for finish chart)  
**BL** (Black) **C** (Clear) **D** (Dark Brown) **GR** (Light Gray) **TAN** (Tan) **W** (White)

800-824-3018 | www.pemko.com  
 Check the web site for the up-to-date catalog

Copyright © 2015-2022, ASSA ABLOY Accessories and Door Controls Group, Inc., an ASSA ABLOY Group company. All rights reserved. Reproduction in whole or in part without the express written permission of ASSA ABLOY Accessories and Door Controls Group, Inc. is prohibited.

# PEMKOPRENE® ADHESIVE-BACKED FIRE/SMOKE GASKETING

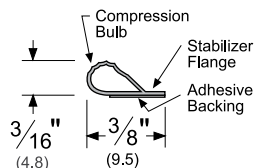
## PK33\_

AVAILABLE FINISHES: **BL, D, W**

AVAILABLE LENGTHS: **17', 18', 20', 21', 25', 30', 510'**

ANSI: **ROG154, ROG155**

- Designed for tighter frames
- Demonstrates extremely low closing force
- Seal begins compressing at  $\frac{3}{16}$ "; compresses to seal up to a  $\frac{1}{16}$ " gap



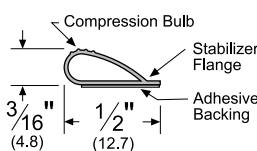
## PK55\_

AVAILABLE FINISHES: **BL, D, W**

AVAILABLE LENGTHS: **17', 18', 20', 21', 25', 30', 510'**

ANSI: **ROG154, ROG155**

- Designed for tighter frames
- Demonstrates extremely low closing force
- Seal begins compressing at  $\frac{3}{16}$ "; compresses to seal up to a  $\frac{1}{16}$ " gap



# SILICONSEAL ADHESIVE-BACKED MEETING STILE GASKETING

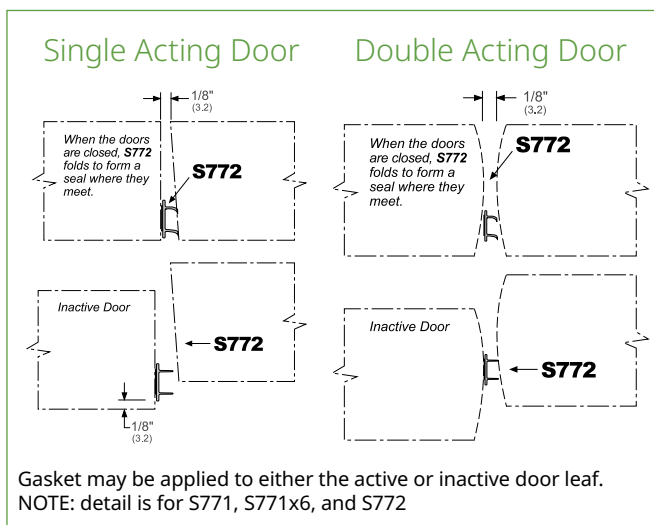
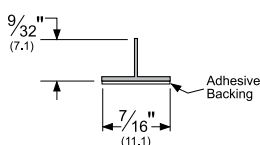
- Excellent resistance to compression set, particularly at elevated temperatures and for extended periods of time
- Outstanding ozone resistance rating
- Smoke tested in accordance with UL1784-01; meets the requirements of NFPA 105 "Standard for the Installation of Smoke Door Assemblies and Other Opening Protectives"

## S771\_

AVAILABLE FINISHES: **BL, C, D, GR, W**

AVAILABLE LENGTHS: **7', 8', 9', 10'**

ANSI: **ROE154, ROE155, ROE754, ROE755**



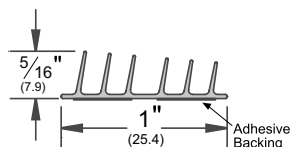
## S771x6\_

AVAILABLE FINISHES: **BL**

AVAILABLE LENGTHS: **7', 8', 9', 10'**

ANSI: **ROE154, ROE155, ROE754, ROE755**

- Designed for hollow metal and wood meeting stile applications
- Seal begins compressing at  $\frac{5}{16}$ "; compresses to seal up to a  $\frac{1}{16}$ " gap



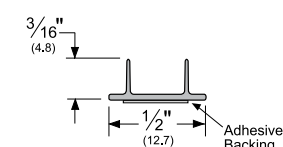
## S772\_

AVAILABLE FINISHES: **BL, C, D, GR, W**

AVAILABLE LENGTHS: **7', 8', 9', 10'**

ANSI: **ROE154, ROE155, ROE754, ROE755**

- Designed for hollow metal and wood meeting stile applications
- Seal begins compressing at  $\frac{3}{16}$ "; compresses to seal up to a  $\frac{1}{16}$ " gap



AVAILABLE FINISHES FOR PRODUCTS SHOWN ON THIS PAGE (see General Information section for finish chart)

**BL** (Black) **C** (Clear) **D** (Dark Brown) **GR** (Light Gray) **W** (White)

800-824-3018 | www.pemko.com

Check the web site for the up-to-date catalog

Copyright © 2015-2022, ASSA ABLOY Accessories and Door Controls Group, Inc., an ASSA ABLOY Group company. All rights reserved. Reproduction in whole or in part without the express written permission of ASSA ABLOY Accessories and Door Controls Group, Inc. is prohibited.

**PEMKO**  
**ASSA ABLOY**

Experience a safer  
and more open world

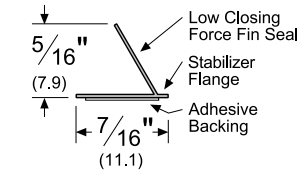
# MICROSHIELD® ANTIMICROBIAL GASKETING

- Extruded from high-temperature silicone with MicroShield®, a silver-based antimicrobial additive
- Effective between -58°F and 450°F
- Adhesive Backed

- Self-extinguishing and non-toxic
- Unaffected by sunlight, ozone and ultraviolet rays
- Exceeds the requirements for Antimicrobial Test JIS-Z-2801

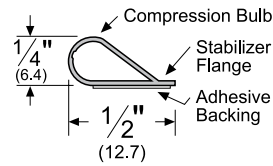
## AM44

AVAILABLE FINISHES: **BL, C, D, W**  
 AVAILABLE LENGTHS: **17', 18', 20', 21', 25', 30', 510'**  
 ANSI: **ROE154, ROE155**



## AM88

AVAILABLE FINISHES: **BL, C, D, W**  
 AVAILABLE LENGTHS: **17', 18', 20', 21', 25', 30', 510'**  
 ANSI: **ROE154, ROE155**



MicroShield®

As part of their promise to provide innovative solutions to their customers, certain ASSA ABLOY Group brands offer the MicroShield® technology, a silver-based antimicrobial additive designed to inhibit the growth of bacteria.

MicroShield® is a registered trademark of Yale Security Inc., an ASSA ABLOY Group company.

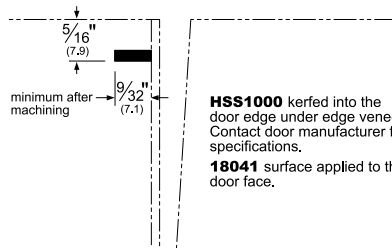
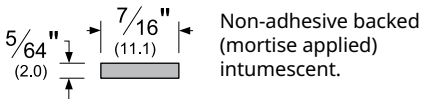
# HOT SMOKE SEAL/SILICON SEAL COMBINATION FIRE/SMOKE SEALING

- Chemically inert, highly stable, expandable graphite strip
- Tested and proven in positive pressure conditions to withstand both hot smoke and hot gasses, resulting in longer integrity of the door assembly
- More economical to use than specially modified doors in "tested assembly only" classifications

- Hot Smoke Seal can be painted to blend in with the finish of a frame
- Will not degrade from carbon dioxide and ozone like many competitive intumescent from other manufacturers
- Unaffected by moisture and will not break down like fiber-based or cellulose-based products

## HSS1000

AVAILABLE FINISHES: Graphite (no finish code)  
 AVAILABLE LENGTHS: **7', 8', 10', 18', 21', 24'**  
 ANSI: **ROP124**



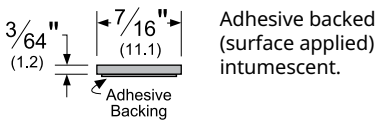
**HSS1000** kerfed into the door edge under edge veneer. Contact door manufacturer for specifications.  
**18041** surface applied to the door face.

### NOTES FOR ALL ADHESIVE GASKETING:

Storage and shelf life: All adhesive gaskets have a limited shelf life. This product must be installed within 6 months of purchase and must be stored between 50°F and 100°F.  
 Before installing: Thoroughly clean the frame to remove grease, dust or cleanser build-up (cleansing towelettes are included with product). Painted frame surface must be completely dry. Some hospital environments have wax or anti-bacterial cleanser build-up. As an alternative or substitute cleanser, use isopropyl (rubbing) alcohol. Note: Mineral spirits or other petroleum based cleaning products should NOT be used.

## HSS2000

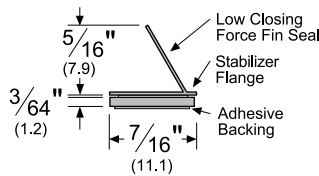
AVAILABLE FINISHES: Graphite (no finish code)  
 AVAILABLE LENGTHS: **7', 8', 10', 18', 21', 24'**  
 ANSI: **ROP154**



## HSS2000xS44

AVAILABLE FINISHES: **BL, C, D, GR, W**  
 AVAILABLE LENGTHS: **18', 20', 21', 24'**  
 20' lengths can be supplied in 4-0 x 8-0 or 6-0 x 7-0. Specify when ordering  
 ANSI: **ROU154, ROU155**

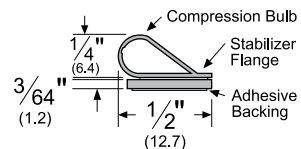
- Compresses to seal a gap up to 1/8"



## HSS2000xS88

AVAILABLE FINISHES: **BL, C, D, GR, TAN, W**  
 AVAILABLE LENGTHS: **18', 20', 21', 24'**  
 20' lengths can be supplied in 4-0 x 8-0 or 6-0 x 7-0. Specify when ordering  
 ANSI: **ROU154, ROU155**

- Compresses to seal a gap up to 1/8"



Experience a safer and more open world

AVAILABLE FINISHES FOR PRODUCTS SHOWN ON THIS PAGE (see General Information section for finish chart)  
**BL** (Black) **C** (Clear) **D** (Dark Brown) **GR** (Light Gray) **TAN** (Tan) **W** (White)

800-824-3018 | www.pemko.com  
 Check the web site for the up-to-date catalog

Copyright © 2015-2022, ASSA ABLOY Accessories and Door Controls Group, Inc., an ASSA ABLOY Group company. All rights reserved. Reproduction in whole or in part without the express written permission of ASSA ABLOY Accessories and Door Controls Group, Inc. is prohibited.



# PEMKO HOSPITALITY PRODUCTS

## CONTENTS:

Privacy Door Latch, Bracket and Decals.....	208
SiliconSeal Adhesive Gasketing.....	209
Automatic Door Bottoms: Acoustic.....	210
Door Shoes.....	210
Acoustic Adhesive Corner Pads.....	210
Automatic Door Bottoms.....	211
Eco-V™ Thresholds.....	212
Adjustable-Width Eco-V™ Threshold.....	213
Stainless Steel Sliding Track Hardware System.....	214
Simultaneous Acting Sliding Door System.....	215
SHS80 System.....	216
Bypass Track Series.....	217

## INDEX:

PRODUCT	PAGE	PRODUCT	PAGE
411.....	211	S44.....	209
2113.....	210	S88.....	209
2173.....	210	S442.....	209
2343.....	210	S771.....	209
3692.....	210	S771x6.....	209
4131.....	211	S772.....	209
ACP112.....	210	S773.....	209
ADJ232V8.....	213	S776.....	209
ADJ232V14.....	213	SHS80.....	216
ADJ232x2325V8.....	213	SIM150.....	215
EV232.....	212	STC411.....	210
EV2320.....	212	STC4131.....	210
EV2322.....	212	W60.....	214
EV2325.....	212		
EV2326.....	212		
HBP200A.....	217		
PDLAA.....	208		
PDLBRKT.....	208		
PDL-D1.....	208		
PDL-D2.....	208		

800-824-3018 | [www.pemko.com](http://www.pemko.com)  
Check the web site for the up-to-date catalog

Copyright © 2015-2022, ASSA ABLOY Accessories and Door Controls Group, Inc., an ASSA ABLOY Group company. All rights reserved.  
Reproduction in whole or in part without the express written permission of ASSA ABLOY Accessories and Door Controls Group, Inc. is prohibited.

**PEMKO**  
**ASSA ABLOY**

Experience a safer  
and more open world

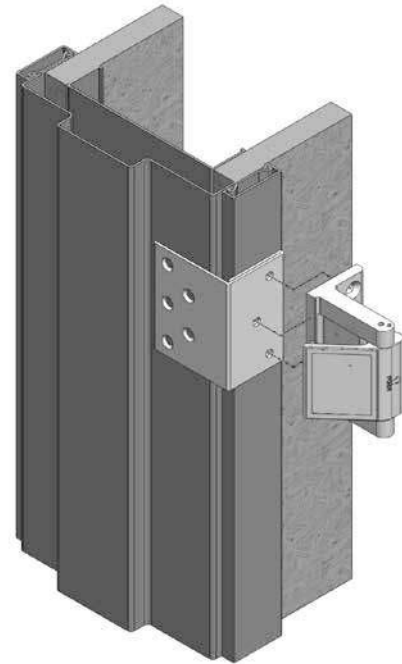
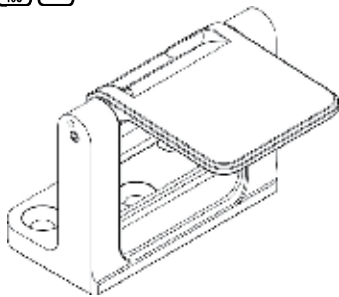
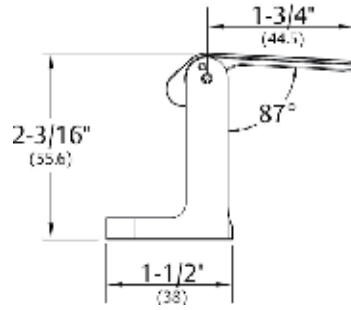
## PRIVACY DOOR LATCH

- Easy to install, simple to operate
- ADA Compliant
- Enhances room privacy
- UL Classified as a fire door accessory

### PDLAA\_

AVAILABLE COLORS:

- PDLAA26 Polished Chrome
- PDLAA26D/15 Polished Chrome/  
Satin Nickel
- PDLAA3 Polished Brass
- PDLAA4 Brushed Brass
- PDLAABSP Black Suede

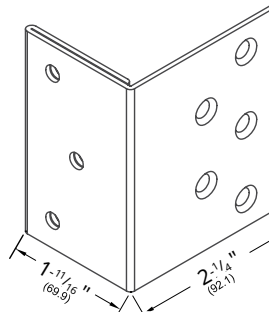


## PRIVACY DOOR LATCH BRACKET

- Designed for Timely or Redi-Frame frames with snap on trim
- Bracket allows PDL to be installed in the correct position for proper operation
- Custom powder coat options available.

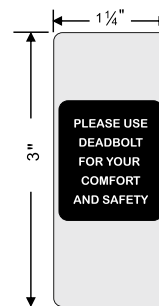
### PDLBRKT\_

- AVAILABLE COLORS:
- Paintable Galvannealed (blank)
  - Black Suede (BSP)
  - Satin Bronze (10BE)
  - White Suede (WSP)



## PRIVACY DOOR LATCH DECALS

- Used to cover holes left on door and frame from old style door latch. Per NFPA80 holes must first be filled with like material in order to maintain the fire opening rating
- Made from stable, mar-resistant plastic
- Sub-surface screen printing so verbiage will not be affected by gentle cleaning/dusting



PDL-D1



PDL-D2



Experience a safer  
and more open world

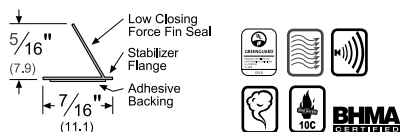


# SILICONSEAL ADHESIVE GASKETING

## S44\_

AVAILABLE FINISHES: **BL, C, D, GR, W**  
 AVAILABLE LENGTHS: **17', 18', 20', 21', 25', 30', 510'**  
 ANSI: **ROE154, ROE155**

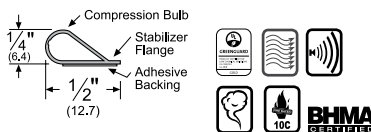
- Designed for tighter frames
- Demonstrates extremely low closing force
- Seal begins compressing at  $\frac{5}{16}$ " ; compresses to seal up to a  $\frac{1}{16}$ " gap



## S88\_

AVAILABLE FINISHES: **BL, C, D, GR, TAN, W**  
 AVAILABLE LENGTHS: **17', 18', 20', 21', 25', 30', 204', 510'**  
 ANSI: **ROE154, ROE155**

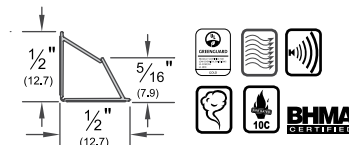
- Seal begins compressing at  $\frac{1}{4}$ " ; compresses to seal up to a  $\frac{1}{16}$ " gap



## S442\_

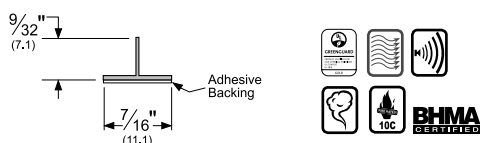
AVAILABLE FINISHES: **BL, D, W**  
 AVAILABLE LENGTHS: **17', 18', 20', 21', 25', 30', 204', 510'**  
 ANSI: **ROE154, ROE155**

- Seal Fits flush into corner
- Seal begins compressing at  $\frac{5}{16}$ " ; compresses to seal up to a  $\frac{1}{16}$ " gap in either direction



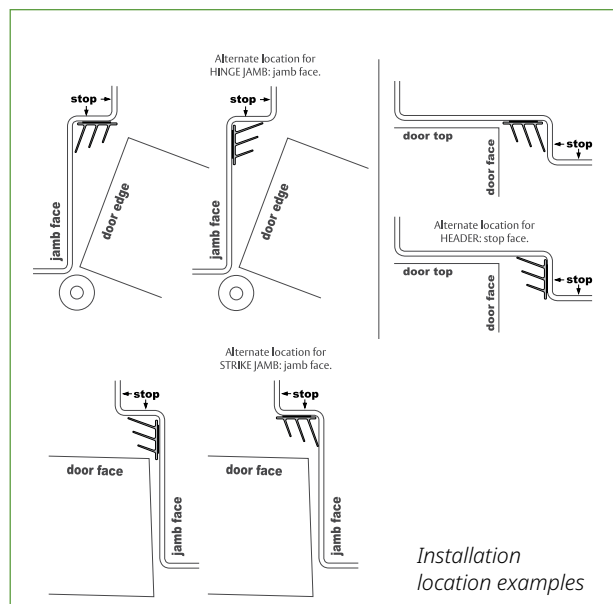
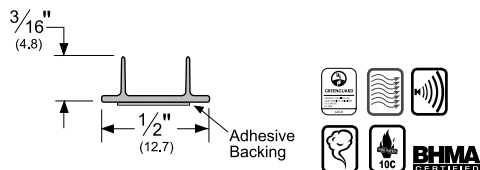
## S771\_

AVAILABLE FINISHES: **BL, C, D, GR, W**  
 AVAILABLE LENGTHS: **7', 8', 9', 10'**  
 ANSI: **ROE154, ROE155, ROE754, ROE755**



## S772\_

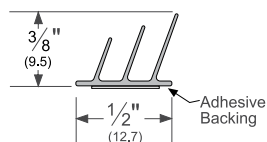
AVAILABLE FINISHES: **BL, C, D, GR, W**  
 AVAILABLE LENGTHS: **7', 8', 9', 10'**  
 ANSI: **ROE154, ROE155, ROE754, ROE755**



## S773\_

AVAILABLE FINISHES: **BL, D, GR, W**  
 AVAILABLE LENGTHS: **17', 18', 20', 21', 25', 30', 250'**  
 ANSI: **ROE154, ROE155**

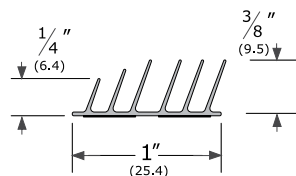
- Triple-fin design effectively blocks light and sound from infiltrating a room
- Seal begins compressing at  $\frac{3}{8}$ " ; compresses to seal up to a  $\frac{3}{32}$ " gap



## S776\_

AVAILABLE FINISHES: **BL**  
 AVAILABLE LENGTHS: **17', 18', 20', 21'**  
 ANSI: **ROE154, ROE155**

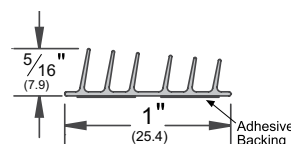
- Designed for hollow metal and wood meeting stile applications
- Seal begins compressing at  $\frac{3}{8}$ " ; compresses to seal up to a  $\frac{1}{8}$ " gap



## S771x6\_

AVAILABLE FINISHES: **BL**  
 AVAILABLE LENGTHS: **7, 8, 9', 10, 17, 18, 20, 21, 25**  
 ANSI: **ROE154, ROE155, ROE754, ROE755**

- Designed for hollow metal and wood meeting stile applications
- Seal begins compressing at  $\frac{5}{16}$ " ; compresses to seal up to a  $\frac{1}{8}$ " gap



AVAILABLE FINISHES FOR PRODUCTS SHOWN ON THIS PAGE (see General Information section for finish chart)  
**BL** (Black) **C** (Clear) **D** (Dark Brown) **GR** (Light Gray) **TAN** (Tan) **W** (White)

800-824-3018 | www.pemko.com

Check the web site for the up-to-date catalog

Copyright © 2015-2022, ASSA ABLOY Accessories and Door Controls Group, Inc., an ASSA ABLOY Group company. All rights reserved. Reproduction in whole or in part without the express written permission of ASSA ABLOY Accessories and Door Controls Group, Inc. is prohibited.

**PEMKO**  
**ASSA ABLOY**

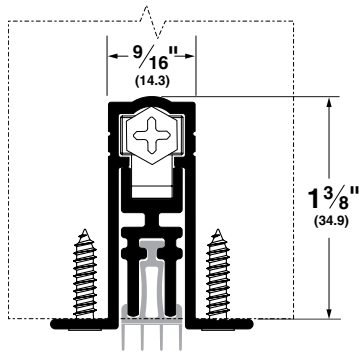
Experience a safer  
 and more open world

## AUTOMATIC DOOR BOTTOMS - ACOUSTIC

- Recommended gap under door is 3/8" for optimal acoustic performance; max drop is 3/4"
- Internal mechanism allows bar to accommodate slight imperfections in floor materials
- STC411 end plate kit is K435; for doors narrower than 1-3/4", specify end plate kit K411
- STC4131 end plate kit is K4133C for Clear Anodized and K4133D for Dark Bronze Anodized
- Non-handed

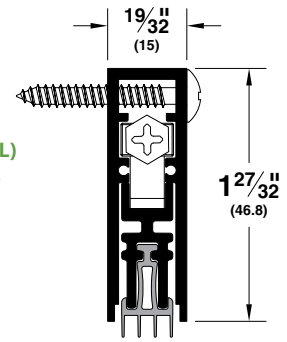
### STC411\_PK

AVAILABLE FINISHES: **A**  
REPLACEMENT INSERT:  
**PK4111 (BL)**  
ANSI: **R3G324, R3G325**



### STC4131\_PK

AVAILABLE FINISHES: **BSP, C, D**  
REPLACEMENT INSERT: **PK4111 (BL)**  
ANSI: **R3G334, R3G335, R3G344, R3G345**



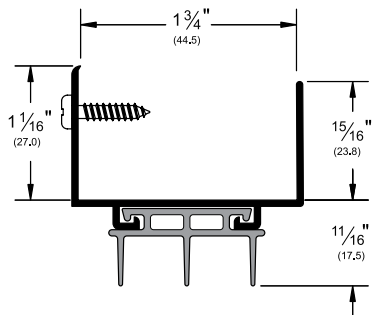
## Door Shoes

### 2173\_V

AVAILABLE FINISHES:  
**A, BDG, BSP, D, G, PW**  
AVAILABLE LENGTHS:  
**36", 48"**  
REPLACEMENT INSERT:  
**EV94 (BL)**  
ANSI:  
**R3D414, R3D415**

Also available with  
unnotched insert:

2173\_V36UN  
2173\_V48UN

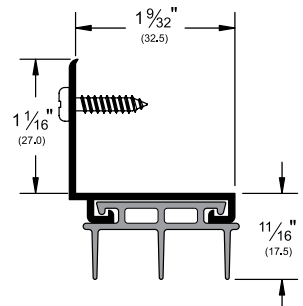


### 2113\_V

AVAILABLE FINISHES:  
**A, BSP, D, G**  
AVAILABLE LENGTHS:  
**36", 48"**  
REPLACEMENT INSERT:  
**EV94 (BL)**  
ANSI:  
**R3D414, R3D415**

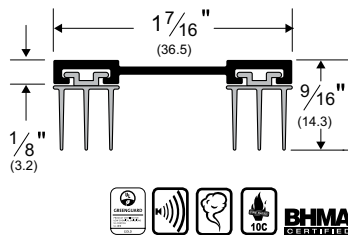
Also available with  
unnotched insert:

2113\_V36UN  
2113\_V48UN



### 3692\_PK773

AVAILABLE FINISH:  
**A**  
AVAILABLE LENGTHS:  
**36", 48"**  
REPLACEMENT INSERT:  
**PK773 (BL, GR)**  
ANSI:  
**R3G414, R3G415**

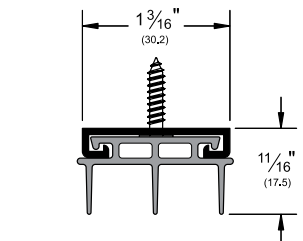


### 2343\_V

AVAILABLE FINISHES:  
**A, BSP, D, G**  
AVAILABLE LENGTHS:  
**36", 48"**  
REPLACEMENT INSERT: **EV94 (BL)**  
ANSI: **R3D414, R3D415**

Also available with  
unnotched insert:

2343\_V36UN  
2343\_V48UN

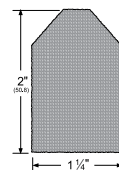


## ACOUSTIC ADHESIVE CORNER PADS

- Corner pad with black or white polypropylene pile, with pressure-sensitive adhesive
- Apply to corner of jamb on hinge side to seal against air and light infiltration

### ACP112\_

AVAILABLE COLORS: **BL, W**



AVAILABLE FINISHES FOR PRODUCTS SHOWN ON THIS PAGE (see General Information section for finish chart)  
**10BE** (Satin Bronze Powder Coated Aluminum) **A** (Mill Finish Aluminum) **BDG** (Bright Dip Gold Anodized) **BSP** (Black Suede Powder Coated Aluminum) **D** (Dark Bronze Anodized) **G** (Gold Anodized)  
**PW** (Painted White) **WSP** (White Suede Powder Coated Aluminum) Corner Pad: **BL** (Black) **W** (White)

**PEMKO**  
**ASSA ABLOY**

Experience a safer  
and more open world

800-824-3018 | www.pemko.com

Check the web site for the up-to-date catalog

Copyright © 2015-2022, ASSA ABLOY Accessories and Door Controls Group, Inc., an ASSA ABLOY Group company. All rights reserved. Reproduction in whole or in part without the express written permission of ASSA ABLOY Accessories and Door Controls Group, Inc. is prohibited.

# AUTOMATIC DOOR BOTTOMS

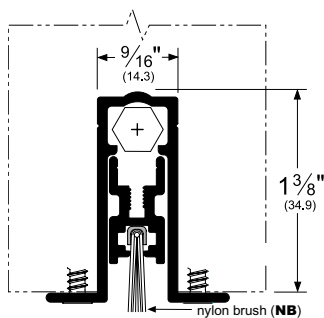
• All Pemko Automatic Door Bottoms, 24" and up, can be manufactured for field alteration.

• Please specify when ordering: Allow 2" for field trimming

## 411\_NBL

AVAILABLE FINISH:

**A**  
REPLACEMENT INSERT:  
**P14075 (BL, GR)**  
ANSI:  
**R3A324, R3A325**



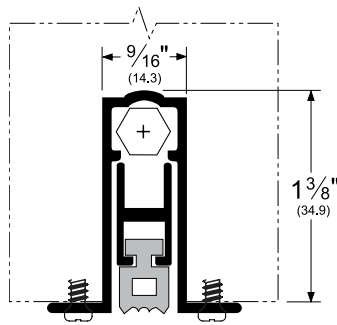
nylon brush (NB)



## 411\_RL

AVAILABLE FINISH:

**A**  
REPLACEMENT INSERT:  
**E7 (BL)**  
ANSI:  
**R3G324, R3G325**



sponge EPDM (R)



Alternate Insert For 411

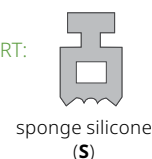
## 411\_PKL

AVAILABLE FINISH:  
**A**  
REPLACEMENT INSERT:  
**PK4132 (BL)**  
ANSI: **R3G324, R3G325**



## 411\_SL

AVAILABLE FINISH:  
**A**  
REPLACEMENT INSERT:  
**SR6 (BL)**  
ANSI:  
**R3E324, R3E325**



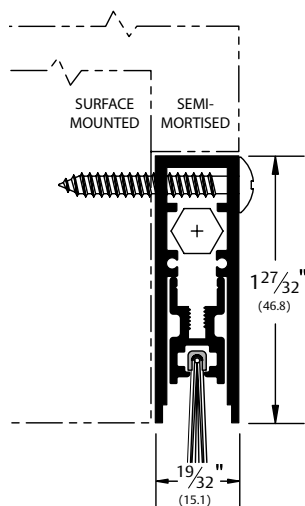
All above products



## 4131\_NBL

AVAILABLE FINISHES:

**BSP, C, D, SN**  
REPLACEMENT INSERT:  
**P14075 (BL, GR)**  
ANSI:  
**R3A334, R3A335, R3A344, R3A345**



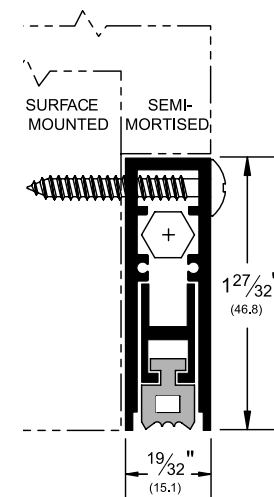
nylon brush (NB)



## 4131\_RL

AVAILABLE FINISHES:

**BSP, C, D, SN**  
REPLACEMENT INSERT:  
**E7 (BL)**  
ANSI:  
**R3G334, R3G335, R3G344, R3G345**



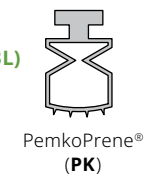
sponge EPDM (R)



Alternate Inserts For 4131

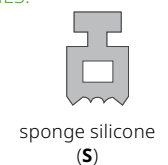
## 4131\_PKL

AVAILABLE FINISHES:  
**BSP, C, D, SN**  
REPLACEMENT  
INSERT: **PK4132 (BL)**  
ANSI: **R3G334,  
R3G335, R3G344,  
R3G345**



## 4131\_SL

AVAILABLE FINISHES:  
**BSP, C, D, SN**  
REPLACEMENT  
INSERT: **SR6 (BL)**  
ANSI: **R3E334,  
R3E335, R3E344,  
R3E345**



All above products



AVAILABLE FINISHES FOR PRODUCTS SHOWN ON THIS PAGE (see General Information section for finish chart)

**10BE** (Satin Bronze Powder Coated Aluminum) **A** (Mill Finish Aluminum)  
**BSP** (Black Suede Powder Coated Aluminum) **C** (Clear Anodized) **D** (Dark Bronze Anodized)  
**WSP** (White Suede Powder Coated Aluminum) **SN** (Satin Nickel Anodized)

800-824-3018 | www.pemko.com

Check the web site for the up-to-date catalog

Copyright © 2015-2022, ASSA ABLOY Accessories and Door Controls Group, Inc., an ASSA ABLOY Group company. All rights reserved. Reproduction in whole or in part without the express written permission of ASSA ABLOY Accessories and Door Controls Group, Inc. is prohibited.

**PEMKO**  
**ASSA ABLOY**

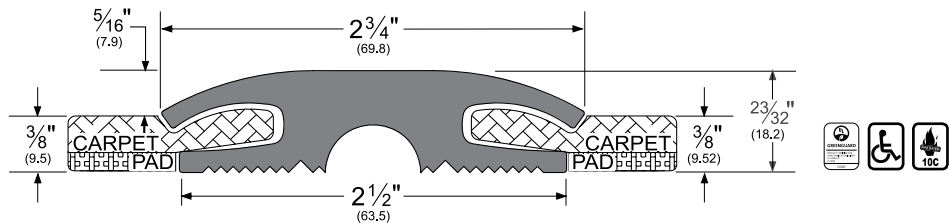
Experience a safer  
and more open world

# ECO-V™ THRESHOLDS

- Eco-V™ thresholds create an ideal transition where two different pieces of carpet meet, or carpet meets another surface under a door
- Ideal for use in any high-traffic commercial installation, such as hotels and offices
- Eco-V™ thresholds are manufactured from slightly softer material than competitive products. This aids in the cutting and fitting of the threshold and facilitates easier insertion of the carpet into the holding cavities on the carpet side(s) of the threshold
- Eco-V™ thresholds are designed to work in conjunction with Pemko's **2173\_V**, **2113\_V** and **2343\_V** door shoes
- **EV232**, **EV2325**, and **ADJ232V** thresholds meet the criteria outlined in **ADAAG-2010 (Amended)**; **ICC/ANSI A117.1** and **California Building Code, Title 24** for Barrier-Free Entry
- ½" max rise above finished floor

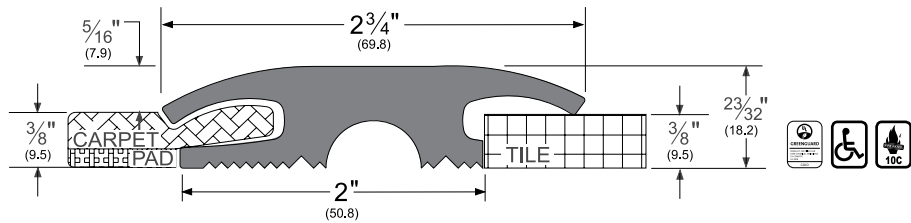
## EV232\_

AVAILABLE COLORS: **BL, D**  
 AVAILABLE LENGTHS: **36", 48", 73"**  
 Serves as a transition where two pieces of carpet meet beneath an interior door



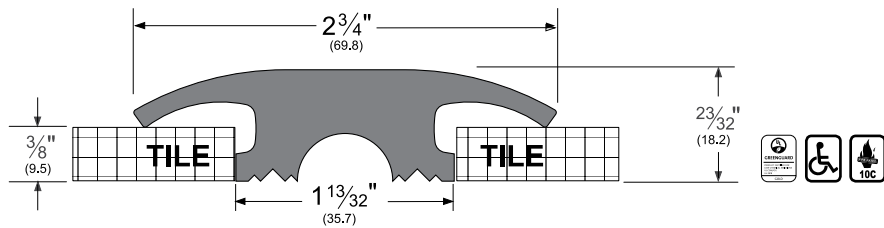
## EV2325\_

AVAILABLE COLORS: **BL, D**  
 AVAILABLE LENGTHS: **36", 48", 73"**  
 Serves as a transition where one piece of carpet meets tile beneath an interior door



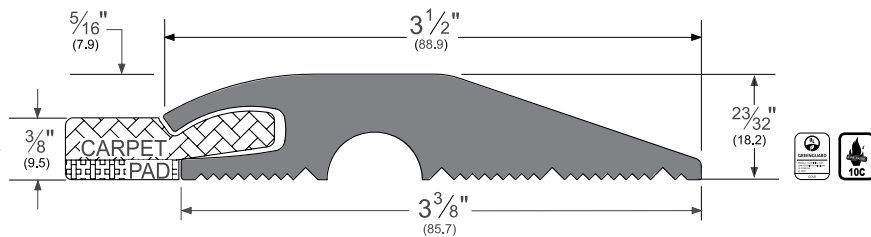
## EV2326\_

AVAILABLE COLORS: **BL, D**  
 AVAILABLE LENGTHS: **36", 48", 73"**  
 Serves as a transition where two pieces of tile meet beneath an interior door



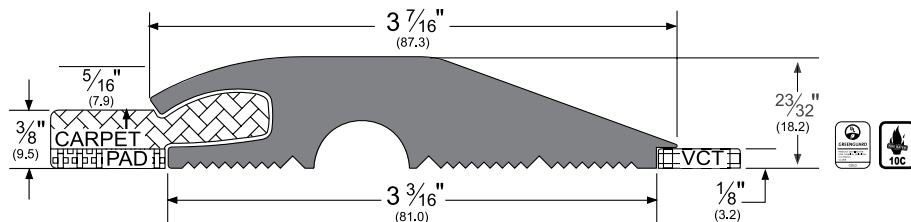
## EV2320\_

AVAILABLE COLOR: **BL**  
 AVAILABLE LENGTHS: **36", 48", 73"**  
 Serves as a transition where carpet meets concrete beneath an interior or exterior door



## EV2322\_

AVAILABLE COLOR: **BL**  
 AVAILABLE LENGTHS: **36", 48", 73"**  
 Serves as a transition where carpet meets 1/8" tile beneath an interior door



NOTE: Products shown in this section may not be drawn to scale.

AVAILABLE FINISHES FOR PRODUCTS SHOWN ON THIS PAGE (see General Information section for finish chart)  
**BL** (Black) **D** (Dark Brown)



Experience a safer and more open world

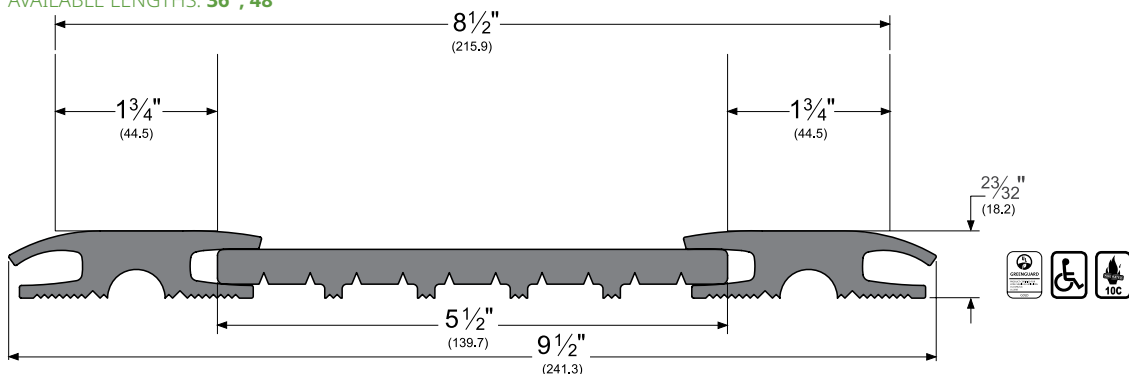
800-824-3018 | www.pemko.com  
 Check the web site for the up-to-date catalog

## ADJUSTABLE-WIDTH ECO-V™ THRESHOLD

- The adjustable-width threshold is designed for installations where the widths of the transition beneath a door may need to change, without completely disassembling and reinstalling the threshold
- The adjustable-width threshold consists of two Eco-V™ end pieces and one Eco-V™ adjustable center section
- Center section (**EV2321** below) can easily be cut to size with a standard razor knife

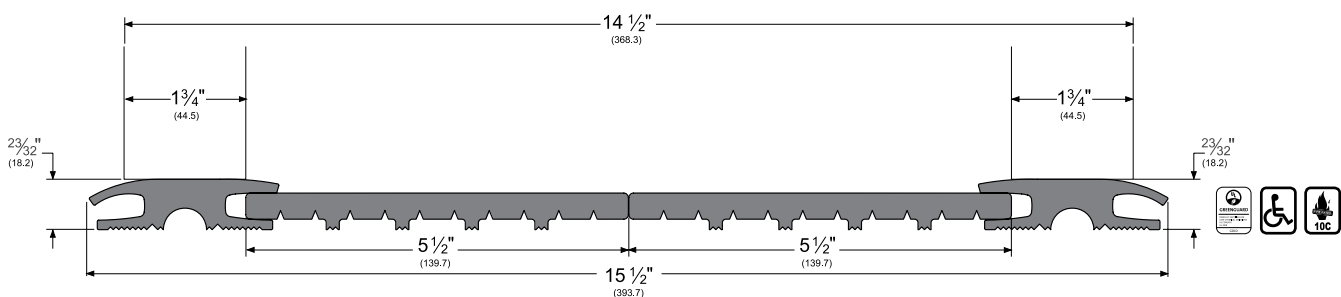
### ADJ232V8\_

AVAILABLE COLOR: **BL, D**  
 AVAILABLE LENGTHS: **36", 48"**



### ADJ232V14\_

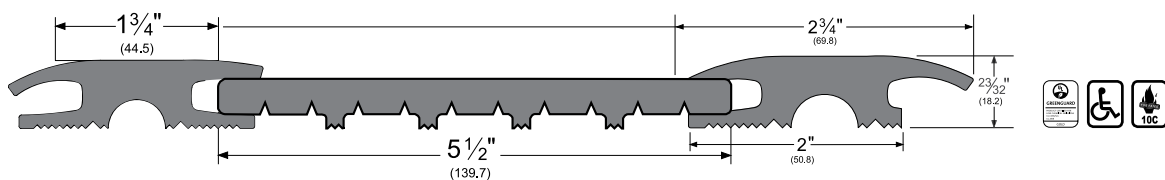
AVAILABLE COLOR: **BL, D**  
 AVAILABLE LENGTHS: **36", 48"**



### ADJ232x2325V8\_

AVAILABLE COLOR: **BL, D**  
 AVAILABLE LENGTHS: **36", 48"**

For carpet to tile applications; other combinations available



NOTE: Products shown in this section may not be drawn to scale.

AVAILABLE FINISHES FOR PRODUCTS SHOWN ON THIS PAGE (see General Information section for finish chart)

**BL** (Black) **D** (Dark Brown)

800-824-3018 | www.pemko.com

Check the web site for the up-to-date catalog

Copyright © 2015-2022, ASSA ABLOY Accessories and Door Controls Group, Inc., an ASSA ABLOY Group company. All rights reserved. Reproduction in whole or in part without the express written permission of ASSA ABLOY Accessories and Door Controls Group, Inc. is prohibited.

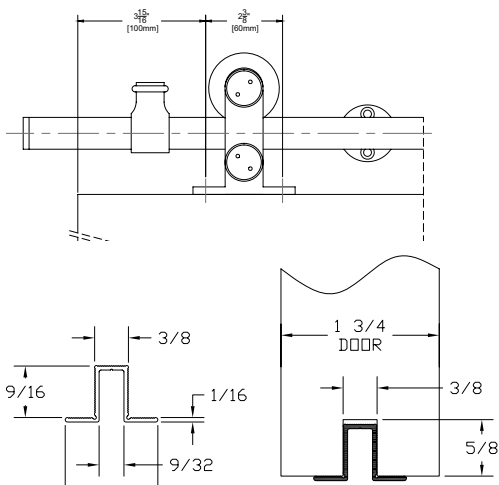
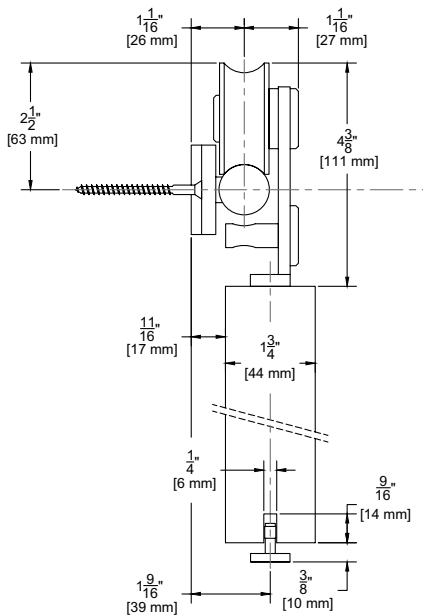
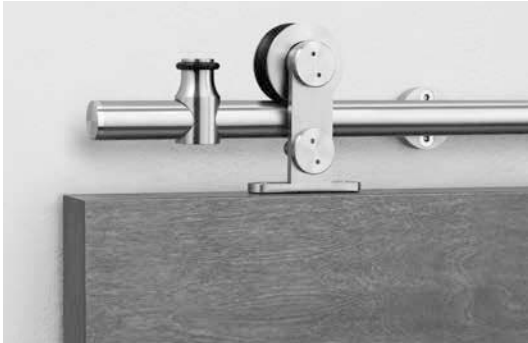
**PEMKO**  
**ASSA ABLOY**

Experience a safer  
 and more open world

# STAINLESS STEEL SLIDING TRACK HARDWARE SYSTEM

## W60 SERIES FOR WOOD DOORS

For Sliding Panels up to 176 lbs.



NOTE: Alternate route dimension when using optional EPD3BL



Experience a safer and more open world

### Configurations:

- Single
- Bi-parting

### Installations:

- Side Wall Mount (only)

### Features:

- Made of 304 stainless steel
- Nylon coated stainless steel wheel for smooth operation
- 176 lb. panel capacity
- 5 year warranty
- Meets ADA push force requirements

### Finishes:

- Brushed Stainless Steel (W60)
- Black Powder Coated Stainless Steel (W60D)
- Polished Stainless Steel (W60P)

### W60 Kits Include:

- 1 ea **BAR/** Stainless Steel Track
- **BRACKET2** Stainless Steel Wall Brackets
- 2 ea **62** Stainless Steel Hangers
- 1 ea **102SS-KIT** Stainless Steel Guide
- 2 ea **STOP2** Stainless Steel Stops Mounting Hardware

NOTE: If ordering individual parts in the optional Black Powder Coat, Polished finishes be sure to include a prefix "D" for Black Powder Coat, or "P" for Polished Stainless

Standard Kit Sizes			
PART NUMBER	MATERIAL	TRACK LENGTH	DOOR WIDTH
W60/6	304 Stainless Steel	78 <sup>3</sup> / <sub>4</sub> "	36"
W60/8	304 Stainless Steel	98 <sup>7</sup> / <sub>16</sub> "	48"
W60D/6	Black Powder Coated Stainless Steel	78 <sup>3</sup> / <sub>4</sub> "	36"
W60D/8	Black Powder Coated Stainless Steel	98 <sup>7</sup> / <sub>16</sub> "	48"
W60P/6	304 Polished Stainless Steel	78 <sup>3</sup> / <sub>4</sub> "	36"
W60P/8	304 Polished Stainless Steel	98 <sup>7</sup> / <sub>16</sub> "	48"

Custom lengths are available. Please contact the factory to order.

### Options:

- Hardware Pack (One Door) **W60\_H/PACK**
- Mortise Guides **102N**
- Polypropylene Guide Rail **EPD3BL** For Use With 102N
- 5/8" Spacer **BLD-SPACER-58** Pack of 5 5/8" Spacer Recommended for use with 5/8" Gypsum Board When Mounting Track Directly to Gypsum Board
- 1/2" Spacer **BLD-SPACER-12** Pack of 5 1/2" Spacer Recommended for use with 1/2" Gypsum Board When Mounting Track Directly to Gypsum Board

800-824-3018 | www.pemko.com

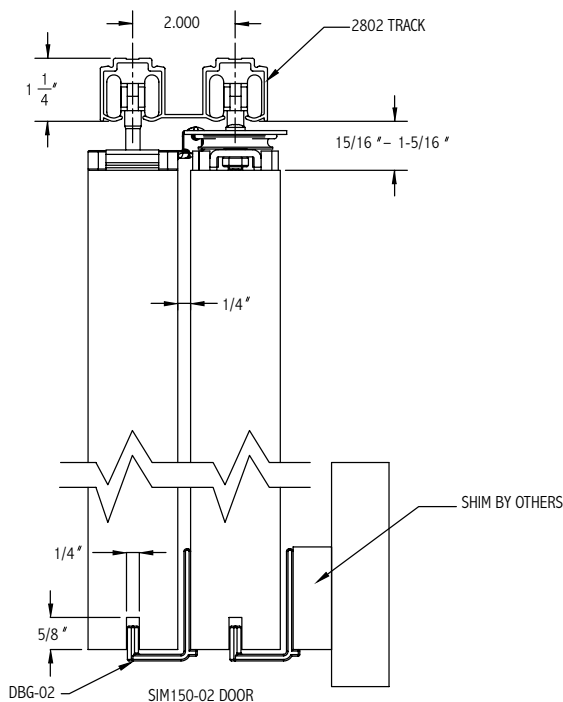
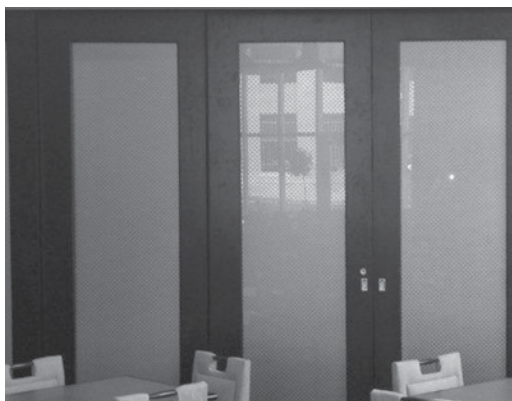
Check the web site for the up-to-date catalog

Copyright © 2015-2022, ASSA ABLOY Accessories and Door Controls Group, Inc., an ASSA ABLOY Group company. All rights reserved. Reproduction in whole or in part without the express written permission of ASSA ABLOY Accessories and Door Controls Group, Inc. is prohibited.

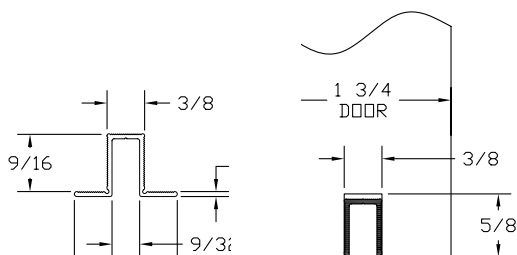
# SIMULTANEOUS ACTING SLIDING DOOR SYSTEM

## SIM 150 FOR 2 DOOR SYSTEMS

For Sliding Panels up to 176 lbs.



### Alternate Route for EPD3BL



### Configurations:

- Bi-part Telescoping

### Installations:

- Overhead Mount

### Features:

- Easy to install with self aligning components
- Telescoping panels glide along the track
- Doors retract into storage pockets when not in use
- 5 year warranty

### Finishes:

- Clear (C)
- Dark Bronze (D)

### Pulley System Kit Includes:

- Pre-Assembled Pulley System
- In-Track Stops and Hangers
- Door Bottom Guides
- Floor Stops, Back Stop and End Plates
- Installation Fasteners

Single Extrusion Aluminum Track must be ordered separately.

Specify door width when ordering. Default door overlap is 3". Any other overlap must be specified (Min. overlap is 2").

Note: All doors must be of equal width.

### Pulley System Kits

PART NUMBER	DOOR WIDTH
SIM150-2-LH/25-32	25" - 32"
SIM150-2-LH/33-40	33" - 40"
SIM150-2-LH/41-48	41" - 48"
SIM150-2-RH/25-32	25" - 32"
SIM150-2-RH/33-40	33" - 40"
SIM150-2-RH/41-48	41" - 48"

### System Track Ordered Separately

TRACK	FINISH	TRACK LENGTH
2802C	Clear	up to 147"
2802D	Dark	up to 185"

### Options:

Lock Kit- includes lock with edge pull, and cup pull, **SIM150-LOCKKIT**

Bolt Kit- includes surface bolt, dust-proof strike, cup pull, and edge pull, **SIM150-BOLTKIT**

Snap-on Fascia Available **F134**

Polypropylene Guide Rail **EPD3BL**

800-824-3018 | www.pemko.com

Check the web site for the up-to-date catalog

Copyright © 2015-2022, ASSA ABLOY Accessories and Door Controls Group, Inc., an ASSA ABLOY Group company. All rights reserved. Reproduction in whole or in part without the express written permission of ASSA ABLOY Accessories and Door Controls Group, Inc. is prohibited.

**PEMKO**  
**ASSA ABLOY**

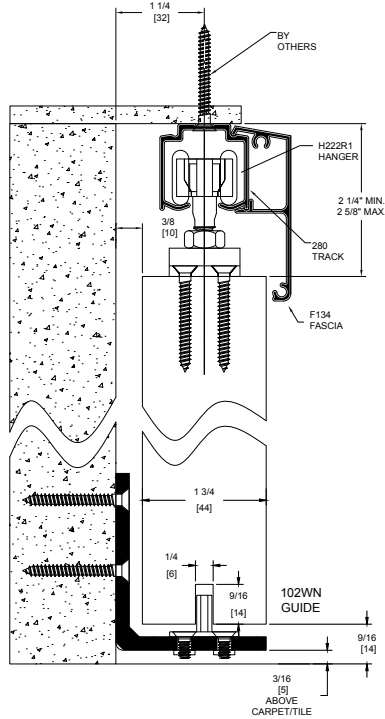
Experience a safer  
and more open world



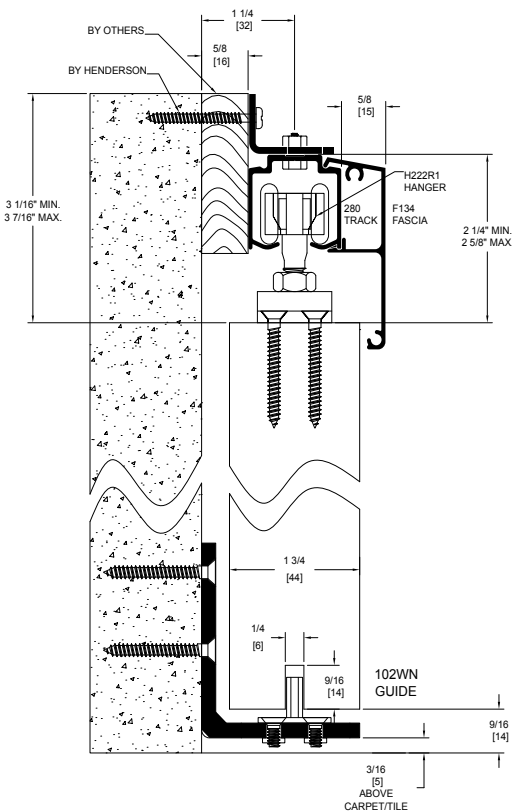
# SHS80 SERIES

For Sliding Panels up to 200 lbs.

## Overhead Mount



## Side Wall Mount



### Configurations:

- Single
- Bi-parting

### Installations:

- Overhead Mount
- Side Wall Mount

### Features:

- Hanger body is made of nickel plated zinc alloy for durability and long life
- Steel ball bearing wheels coated in nylon for smooth operation
- 200 lb. panel capacity
- Optional Soft Close
- 5 year warranty
- Meets ADA push force requirements

### SHS80 Kits Include:

- 1 ea **280C** Clear Anodized Aluminum Track
- 2 ea **H222R1** - Nickel Plated Zinc Alloy Body
- 2 ea **601H** Nylon In-Track Clip Stop
- 1 ea **102WN** White Nylon Mortise Guide on Zinc Plated Steel "L" Metal

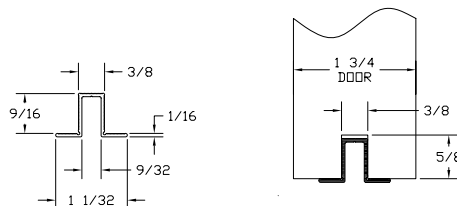
### Standard Kit Sizes

PART NUMBER	MATERIAL	TRACK LENGTH	DOOR WIDTH
SHS80/6	Aluminum	72"	36"
SHS80/8	Aluminum	96"	48"

### Options:

- Fascia **F134C** clear anodized aluminum fascia
- F134D** dark bronze anodized fascia
- Side Wall Track Brackets **PC2815** available as 5 pack only, PC2815 pack of 5 281 zinc plated side wall bracket. NOTE: Need one at each end and no more than 2 feet in-between. Fasteners included.
- Track **280D** dark bronze anodized track
- End Plate Kit **K134EP** (use with F134C and 280C only)
- Bottom Channel **94A**
- Roller Guide **106R/94**
- Threshold **971A**
- Side Wall Mount **SHS80/PACK**
- Extra Hardware Pack **102N**
- Mortise Floor Guide **EPD3BL** for use with 102N or 102WN
- Polypropylene Guide Rail **EPD3BL** for use with 102N or 102WN
- Soft Close available. See page 284-285 for more information.

### Alternate Route for EPD3BL



Experience a safer and more open world

800-824-3018 | www.pemko.com  
Check the web site for the up-to-date catalog

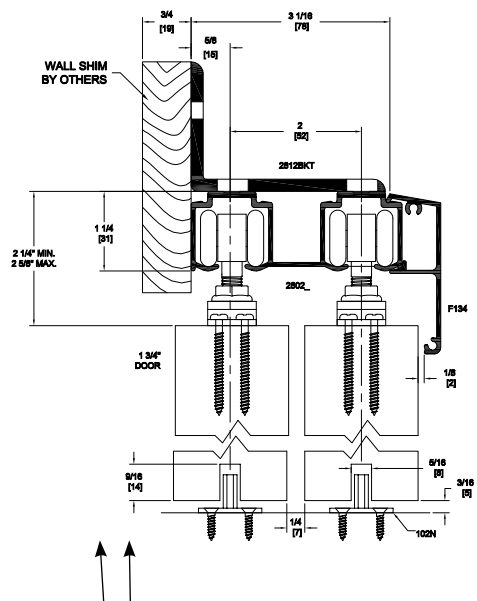
Copyright © 2015-2022, ASSA ABLOY Accessories and Door Controls Group, Inc., an ASSA ABLOY Group company. All rights reserved. Reproduction in whole or in part without the express written permission of ASSA ABLOY Accessories and Door Controls Group, Inc. is prohibited.



# BYPASS TRACK SERIES

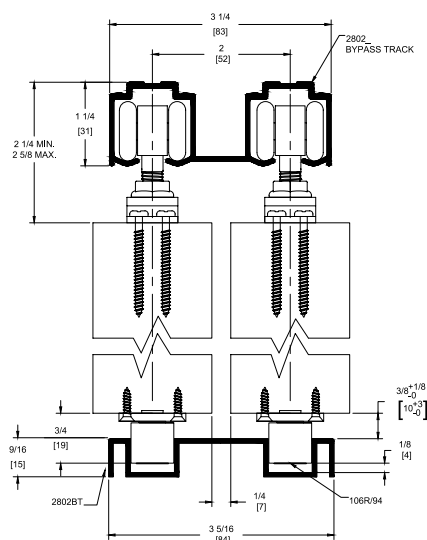
For Bypass Panels up to 200 lbs.

## 1 3/4" Thick Doors Side Wall Mount



NOTE: Route door 9/16" deep by 1/4" wide to receive 102N Guide.

## 1 3/4" Thick Doors Overhead Mount



\* Side Wall mounting: use one (1) 2812KIT at each end of track and 24" on center

### Configurations:

- For Bypass Doors

### Features:

- Fits 1 3/8" and 1 3/4" doors
- Hanger body is made of nickel plated zinc alloy for durability and long life
- Steel ball bearing wheels coated in nylon for smooth operation
- 200 lb. panel capacity
- Load capacity 200 lbs. per door panel (2 hangers)
- Extruded aluminum track
- Optional Soft Close
- 5 year warranty
- Meets ADA push force requirements

### HBP200A Kits Include:

- 1 ea **2802C** Clear Anodized Aluminum Track
- 4 ea **H222R1** Hangers
- 2 ea **102N** White Nylon Mortise Guide
- 4 ea **TELS-14KIT** In Track Stops
- 1 ea Adjusting Wrench and Mounting Hardware

Standard Kit Sizes		
PART NUMBER	TRACK LENGTH	DOOR WIDTH
HBP200A/4	48"	2 @ 26" Min*
HBP200A/5'4	64"	2 @ 34" Min*
HBP200A/6	72"	2 @ 38" Min*
HBP200A/7	84"	2 @ 44" Min*
HBP200A/8	96"	2 @ 50" Min*
HBP200A/10	120"	2 @ 62" Min*
HBP200A/12	144"	2 @ 74" Min*

\*Minimum door overlap is 2".

### Options:

- Hardware Kit **H200PACK**
  - Mounting Bracket **2812KIT**
  - Track **2802D** dark bronze anodized track
  - Track Stop (bumper) **287R1-KIT**
  - Bottom Channel **94A**
  - Fascia, Snap-On **F134C** clear anodized aluminum fascia. **F134D** dark bronze anodized aluminum fascia
  - Roller Guide **106R/94**
  - Dual Guide Channel **2802BT**
  - Polypropylene Guide Rail **EPD3BL** for use with 102N
- Soft Close available. See page 284-285 for more information.

AVAILABLE FINISHES FOR PRODUCTS SHOWN ON THIS PAGE (see General Information section for finish chart)

A (Mill Finish Aluminum) C (Clear Anodized)  
800-824-3018 | www.pemko.com

Check the web site for the up-to-date catalog

Copyright © 2015-2022, ASSA ABLOY Accessories and Door Controls Group, Inc., an ASSA ABLOY Group company. All rights reserved. Reproduction in whole or in part without the express written permission of ASSA ABLOY Accessories and Door Controls Group, Inc. is prohibited.



Experience a safer  
and more open world



Experience a safer  
and more open world

800-824-3018 | [www.pemko.com](http://www.pemko.com)  
Check the web site for the up-to-date catalog

Copyright © 2015-2022, ASSA ABLOY Accessories and Door Controls Group, Inc., an ASSA ABLOY Group company. All rights reserved.  
Reproduction in whole or in part without the express written permission of ASSA ABLOY Accessories and Door Controls Group, Inc. is prohibited.

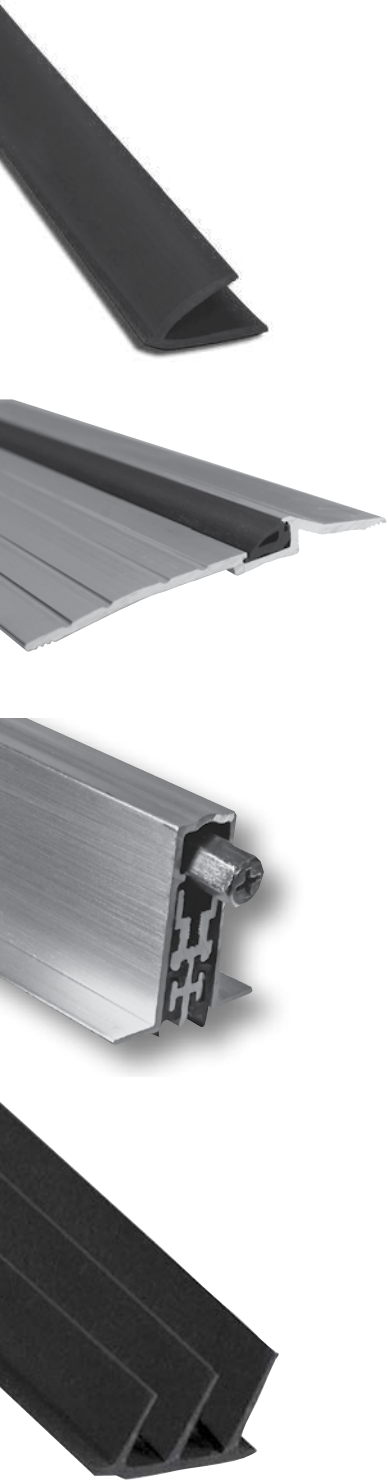
# PEMKO ACOUSTIC PRODUCTS

## CONTENTS:

Basic Acoustic Information .....	220
Acoustic Seal Sets .....	222
Acoustic Thresholds .....	223
Saddle Thresholds .....	224
Automatic Door Bottoms - Acoustic .....	225
Door Shoes.....	225
Acoustic Adhesive Corner Pads .....	225
Standard Perimeter Gasketing .....	226
SiliconSeal Adhesive-Backed Gasketing.....	226

## INDEX:

<u>PRODUCT</u>	<u>PAGE</u>	<u>PRODUCT</u>	<u>PAGE</u>	<u>PRODUCT</u>	<u>PAGE</u>
151 .....	224	2006STC_ .....	223	PEMKOSTCSET .....	222
154 .....	224	2007STC_ .....	223	S44.....	226
175 .....	224	2008.....	223	S442 .....	226
303.....	226	2009.....	223	S773.....	226
312 .....	226	2212.....	225	STC411.....	225
315 .....	226	3692.....	225	STC4131 .....	225
1547.....	224	ACP112.....	225		



## The Impact of Sound

Everyday our ears are met with a barrage of sounds. Sounds can be pleasant, like music or laughter. But they can also be disruptive, like construction or traffic, or even just the people in the cubicle next door. At a certain point sound becomes noise and we look for ways to control it. Sound control is especially important in classrooms, hospitals, hotels and offices, as it impacts our ability to learn, heal, sleep and think. The U.S. Green Building Council recognizes the importance of acoustical control by including LEED Indoor Environment Quality (IEQ) credits for acoustics.

## Description of Sound

Sound can be described as vibrations in the air moving in waves. The rate of sound vibrations measured in cycles per second is called frequency and is measured in hertz (Hz). Sound pressure levels are measured in decibels (dB). For a list of common noises and their related decibel level, see the chart on the right.

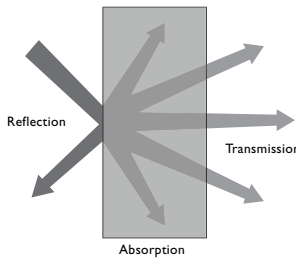
Sound Level dB		
0	Threshold of hearing	Inaudible
20	Very rural environment	Extremely quiet
30	Quiet home	Faint
40	Quiet office	Distant sounds audible
50	Background conversation	Moderate
60	Radio/Television in home	Moderate
70	Highway noise	Moderately loud
80	Background factory noise	Loud
90	Noisy factory	Very loud
105	Elevated train	Deafening
120	Bass drum at 3'	Physical pain
130	Jet aircraft at 100'	Physical pain

## Basic Acoustics

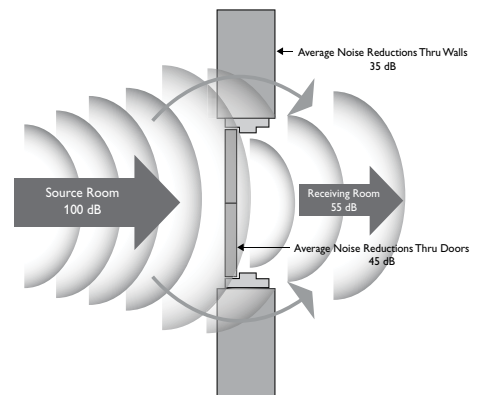
Sound transmission reduction relies on two main principles:

**Sound Absorption** - Removing sound energy from within a room by using materials such as acoustic tiles or open cell foam to soak up sound.

**Sound Insulation** - Preventing the transmission of sound waves by introducing a barrier. Examples include brick, concrete, metal, heavy doors, etc.



Sound waves will travel the path of least resistance. A high performing door will not compensate for less performing materials in the walls around it.



In order to reduce the transmission of sound, materials are added between the source room and the receiving room. The resulting change in decibel level is the sound transmission loss and is given a Sound Transmission Class (STC) rating. The higher the rating number, the lower the transmission of sound. The STC rating is roughly the decibel reduction a partition can provide. For instance, if a 100 dB noise is reduced to 55 dB, that product roughly has a STC 45 rating.



Experience a safer and more open world

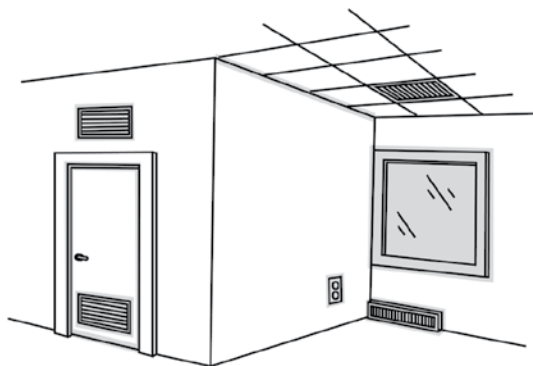
800-824-3018 | [www.pemko.com](http://www.pemko.com)  
Check the web site for the up-to-date catalog

Copyright © 2015-2022, ASSA ABLOY Accessories and Door Controls Group, Inc., an ASSA ABLOY Group company. All rights reserved. Reproduction in whole or in part without the express written permission of ASSA ABLOY Accessories and Door Controls Group, Inc. is prohibited.

## Sound Flanking

Flanking is the leakage of airborne sound around a door opening through any available gap. Flanking between the door leaf and the surrounding frame is reduced by the use of seals.

Optimum sound attenuation performance is likely achieved using a four sided frame with a sill made to the same detail as the head and the seals set in a single plane. If a full four sided frame is not an option, then alternative threshold sealing options should be made such as automatic door bottoms, door shoes and/or thresholds.



Active STC Rating	Level Of Speech Heard
STC-30	Loud speech understood
STC-35	Loud speech heard but not understood
STC-40	Loud speech audible as a murmur
STC-45	Some loud speech barely audible
STC-48	Hearing strained to hear loud speech
STC-50	Loud speech not audible

## STC Ratings

Acoustic Door Testing is done on “sealed-in-place” (fully caulked) doors for door STC ratings, as well as on assemblies (with gasketing and door bottoms) for operable STC ratings. Operable STC ratings are always equal to or lower than the sealed-in-place ratings. The best performance rating on the operable test is a 'zero drop' in the assembly's STC rating. For example, a door with a STC 45 rating can only achieve an operable STC of 45 at its very best; it can never achieve a STC 50.

Also, since sound waves travel the path of least resistance, a high performing door will not compensate for elements like improperly installed seals around doors, the lack of a threshold under the door, a non-insulated frame, louvered doors, or poor seals at the wall/ceiling/floor/mullion connections.

When STC ratings are determined, normal human speech and hearing are used. In most cases the level of reduction does not totally eliminate but rather muffles the sound to an unintelligible level. The chart shown on the left compares the level of speech that would be heard through a door system with the indicated operable STC rating.

Look for Pemko products with this symbol:



Tested To: ASTM E 90-2009

Products indicated by this symbol have been acoustically tested in accordance with ASTM E90 - Standard Test Method for Laboratory Measurement of Airborne Sound Transmission Loss of Building Partitions and Elements.

### Need STC Rated Doors?

Pemko Acoustic Seal Sets are an important part of an overall acoustic solution. ASSA ABLOY Group brands can provide the other elements of the solution including STC Rated Doors, STC Rated Frames and complete STC Rated Assemblies.

For more information please see:

CECO DOORS: [www.cecodoor.com](http://www.cecodoor.com)  
 CURRIES: [www.curries.com](http://www.curries.com)

## Acoustic Seal Sets

Pemko acoustic components are available in their appropriate sets. These product combinations are lab tested and have known decibel drops when used with sound-rated doors. Each kit includes gasketing, a door bottom or threshold, and a complete set of installation instructions. Installation instructions show the proper installation location for each component for optimal performance.

### HOW TO:

1. Locate the Sealed-In-Place (inoperable) rating for your door.
2. Determine the maximum allowable drop for your opening (i.e. -1 db). Note: the numbers are represented as negative numbers as they will decrease your inoperable rating by the number shown (i.e. 45 using a -1 kit will decrease the inoperable rating from 45 to an operable of 44)
3. Find a number in the column below your door's inoperable rating that will keep your opening in the allowable range.
4. Select a kit (or one of the kits given if Alternate Kits are shown), place it on your Purchase Order and add your opening size in inches (i.e. a 3/0 x 7/0 opening will be ordered as a 3684).

Item Number	Sealed-In-Place Door STC Rating				
	58 to 54	53 to 49	48 to 46	45 to 43	<42
PEMKOSTCSET-1A Alternate Kits: 1B, 1C, 1D, 1E		-2	-2	-1	0
PEMKOSTCSET-2C	-3	-2	-2	-1	0
PEMKOSTCSET-2D Alternate Kits: 2A, 2B	-3	-2	-1	-1	0
PEMKOSTCSET-2E	-2	-2	-1	-1	0
PEMKOSTCSET-3A		-2	-1	0	0
PEMKOSTCSET-3D		-2	-1	0	0
PEMKOSTCSET-3E	-2	-2	-1	0	0
PEMKOSTCSET-3B				0	0
PEMKOSTCSET-4A	-3	-2	-1	0	0
PEMKOSTCSET-4B	-3	-2	-1	0	0
PEMKOSTCSET-4D	-3	-2	-1	0	0
PEMKOSTCSET-4E	-2	-2	-1	0	0

NOTE: A seal set cannot increase the sealed-in-place rating; a zero drop is the best performance any seal set can provide.

Item Number	Gasketing	Door Bottom	Threshold	Corner Pad
PEMKOSTCSET-1A	S773BL (Single Row) and S44BL (Single Row)	STC411APK		ACP112BL
PEMKOSTCSET-1B	S44BL (Two Rows)	STC411APK		ACP112BL
PEMKOSTCSET-1C	S442BL (Single Row) and S44BL (Single Row)	STC411APK		ACP112BL
PEMKOSTCSET-1D	303AS and S44BL (Single Row)	STC411APK		ACP112BL
PEMKOSTCSET-1E	312CR and S44BL (Single Row)	STC411APK		ACP112BL
PEMKOSTCSET-2A	<b>TEMPORARILY UNAVAILABLE</b>			
PEMKOSTCSET-2B				
PEMKOSTCSET-2C				
PEMKOSTCSET-2D				
PEMKOSTCSET-2E				
PEMKOSTCSET-3A	S773BL (Single Row) and S44BL (Single Row)	3692APK773BL		
PEMKOSTCSET-3B	S44BL (Two Rows)	3692APK773BL		
PEMKOSTCSET-3D	303AS and S44BL (Single Row)	3692APK773BL		
PEMKOSTCSET-3E	312CR and S44BL (Single Row)	3692APK773BL		
PEMKOSTCSET-4A	S773BL (Single Row) and S44BL (Single Row)		2009APK	
PEMKOSTCSET-4B	S44BL (Two Rows)		2009APK	
PEMKOSTCSET-4D	303AS and S44BL (Single Row)		2009APK	
PEMKOSTCSET-4E	312CR and S44BL (Single Row)		2009APK	

NOTE: 2008PK and 2009PK have acoustic equivalency.



Experience a safer and more open world

800-824-3018 | [www.pemko.com](http://www.pemko.com)  
Check the web site for the up-to-date catalog

Copyright © 2015-2022, ASSA ABLOY Accessories and Door Controls Group, Inc., an ASSA ABLOY Group company. All rights reserved. Reproduction in whole or in part without the express written permission of ASSA ABLOY Accessories and Door Controls Group, Inc. is prohibited.

# ACOUSTIC THRESHOLDS

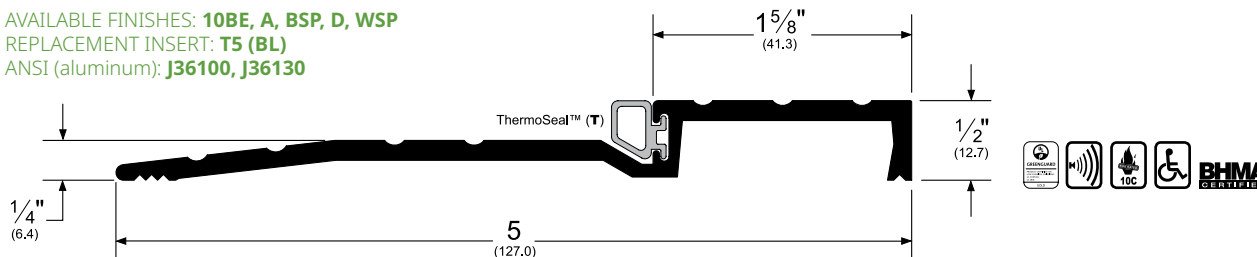
- Pemko Acoustic Thresholds are designed to aid with a door's STC rating
- Thresholds will not improve a door's "sealed in-place" STC rating
- Visit [www.assaabloydooraccessories.us](http://www.assaabloydooraccessories.us), for more Acoustic products and additional information

## 2006STC\_

AVAILABLE FINISHES: **10BE, A, BSP, D, WSP**

REPLACEMENT INSERT: **T5 (BL)**

ANSI (aluminum): **J36100, J36130**

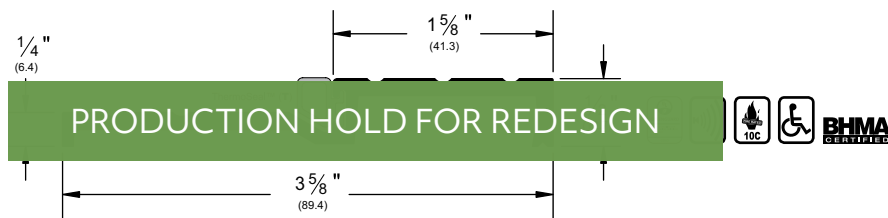


## 2007STC\_

AVAILABLE FINISHES: **10BE, A, BSP, D, WSP**

REPLACEMENT INSERT: **T5 (BL)**

ANSI (aluminum): **J36100, J36130**

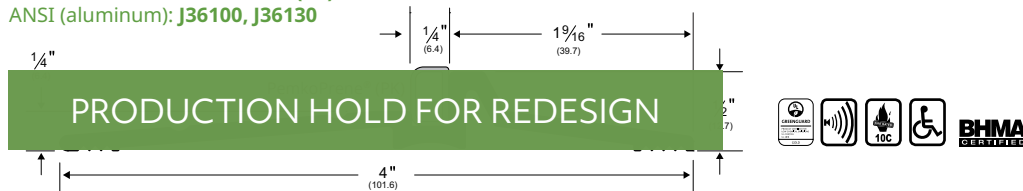


## 2008\_PK

AVAILABLE FINISHES: **10BE, A, BSP, D, WSP**

REPLACEMENT INSERT: **PK381 (BL)**

ANSI (aluminum): **J36100, J36130**



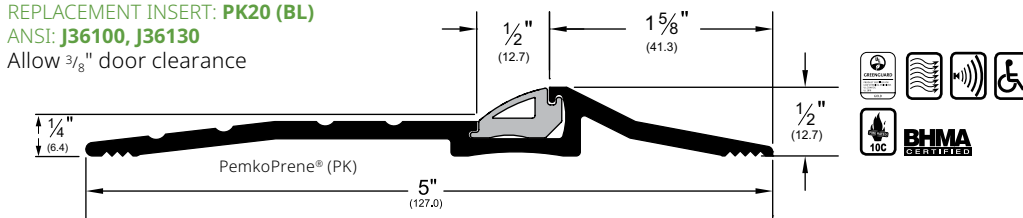
## 2009\_PK

AVAILABLE FINISHES: **10BE, A, BSP, D, WSP**

REPLACEMENT INSERT: **PK20 (BL)**

ANSI: **J36100, J36130**

Allow 3/8" door clearance



AVAILABLE FINISHES FOR PRODUCTS SHOWN ON THIS PAGE (see General Information section for finish chart)

**10BE** (Satin Bronze Powder Coated Aluminum) **A** (Mill Finish Aluminum)

**BSP** (Black Suede Powder Coated Aluminum) **D** (Dark Bronze Anodized)

**WSP** (White Suede Powder Coated Aluminum)

800-824-3018 | [www.pemko.com](http://www.pemko.com)

Check the web site for the up-to-date catalog

Copyright © 2015-2022, ASSA ABLOY Accessories and Door Controls Group, Inc., an ASSA ABLOY Group company. All rights reserved. Reproduction in whole or in part without the express written permission of ASSA ABLOY Accessories and Door Controls Group, Inc. is prohibited.

**PEMKO**  
**ASSA ABLOY**

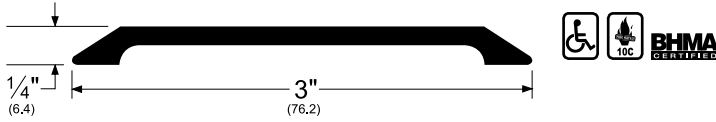
Experience a safer  
and more open world

# SADDLE THRESHOLDS

- Use these with Pemko Automatic Door Bottoms to create a smooth, even sealing surface

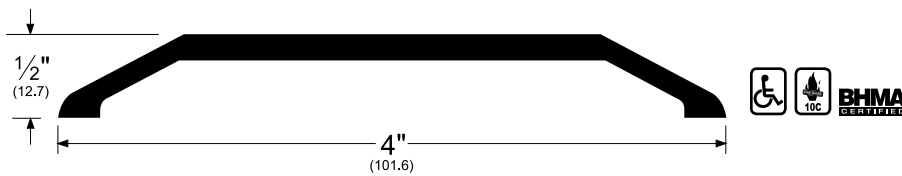
## 151\_

AVAILABLE FINISHES: **10BE**, **A**, **B**, **BSP**, **D**, **WSP**  
 ANSI (aluminum): **J32300**, **J32330**  
 ANSI (brass): **J12300**, **J12330**



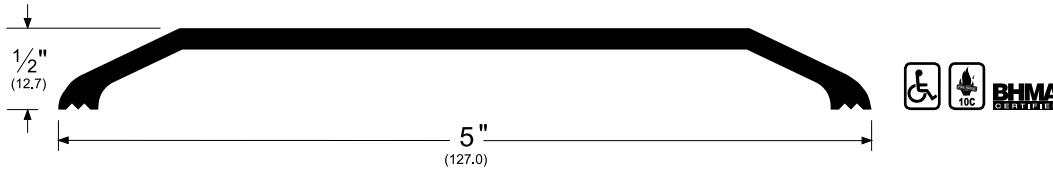
## 175\_

AVAILABLE FINISHES: **10BE**, **A**, **B**, **BSP**, **D**, **WSP**  
 ANSI (aluminum): **J32300**, **J32330**  
 ANSI (brass): **J12300**, **J12330**



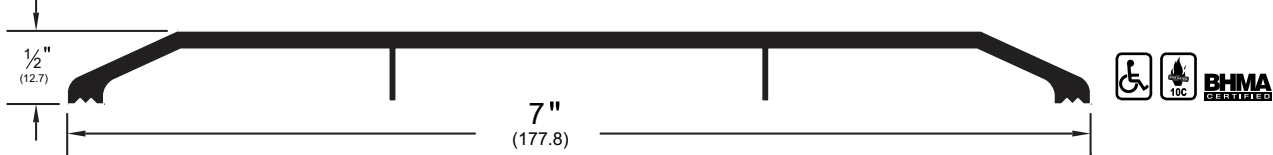
## 154\_

AVAILABLE FINISHES: **10BE**, **A**, **BSP**, **D**, **WSP**  
 ANSI (aluminum): **J32300**, **J32330**



## 1547\_

AVAILABLE FINISHES: **10BE**, **A**, **BSP**, **D**, **WSP**  
 ANSI (aluminum): **J32300**, **J32330**



AVAILABLE FINISHES FOR PRODUCTS SHOWN ON THIS PAGE (see General Information section for finish chart)  
**10BE** (Satin Bronze Powder Coated Aluminum) **A** (Mill Finish Aluminum) **B** (Mill Finish [Brass] Bronze)  
**BSP** (Black Suede Powder Coated Aluminum) **D** (Dark Bronze Anodized) **WSP** (White Suede Powder Coated Aluminum)



Experience a safer and more open world

800-824-3018 | [www.pemko.com](http://www.pemko.com)  
 Check the web site for the up-to-date catalog

Copyright © 2015-2022, ASSA ABLOY Accessories and Door Controls Group, Inc., an ASSA ABLOY Group company. All rights reserved. Reproduction in whole or in part without the express written permission of ASSA ABLOY Accessories and Door Controls Group, Inc. is prohibited.

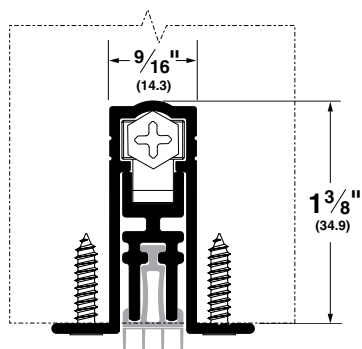


## AUTOMATIC DOOR BOTTOMS - ACOUSTIC

- Non-handed
- Recommended gap under door is 1/2" for optimal acoustic performance max drop is 3/4"
- Internal mechanism allows bar to accommodate slight imperfections in floor materials
- STC411 end plate kit is K435; for doors narrower than 1-3/4", specify end plate kit K411
- STC4131 end plate kit is K4133C for Clear Anodized and K4133D for Dark Bronze Anodized

### STC411\_PK

AVAILABLE FINISHES: **A**  
REPLACEMENT INSERT:  
**PK4111 (BL)**  
ANSI: **R3G324, R3G325**

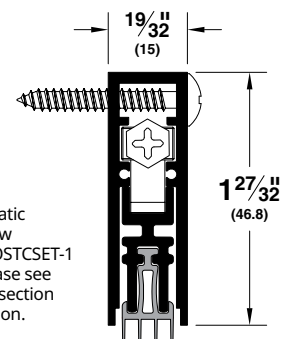


### STC4131\_PK

AVAILABLE FINISHES: **BSP, C, D**  
REPLACEMENT INSERT: **PK4111 (BL)**  
ANSI: **R3G334, R3G335, R3G344, R3G345**



NOTE:  
STC411\_PK Automatic Door Bottom is now included in PEMKOSTCSET-1 (A through E). Please see Acoustic Products section for more information.

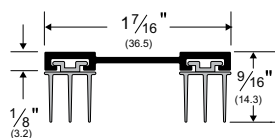


## DOOR SHOES

- Slotted holes for easy adjustment
- Provided with stainless steel fasteners
- Use a flat saddle to create a positive sealing surface that ensures maximum acoustic performance

### 3692\_PK773

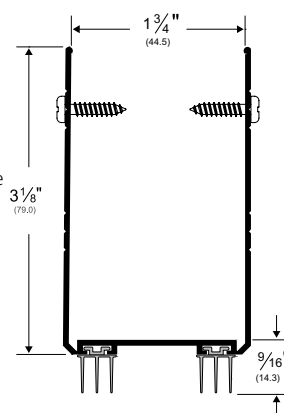
AVAILABLE FINISH: **A**  
AVAILABLE LENGTHS: **36", 48"**  
REPLACEMENT INSERT: **PK773 (BL, GR)**  
ANSI: **R3G414, R3G415**



### 2212\_PK773

AVAILABLE FINISHES: **10BE, A, BSP, D, G, WSP**  
REPLACEMENT INSERT: **PK773 (BL)**  
ANSI: **R3G416**

- Combination door shoe and kick plate
- Excellent Acoustic performance

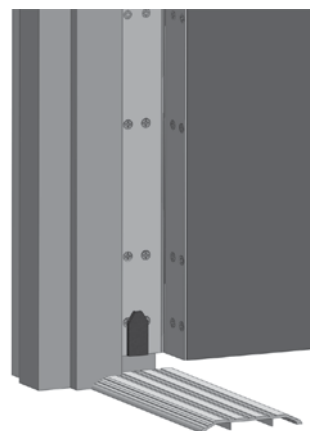
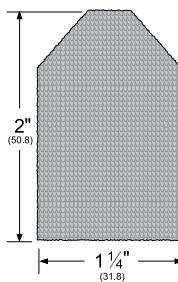


## ACOUSTIC ADHESIVE CORNER PADS

- Corner pad with black or white polypropylene pile, with pressure-sensitive adhesive
- Apply to corner of jamb on hinge side to seal against air and light infiltration

### ACP112\_

AVAILABLE COLORS: **BL, W**



NOTE: Products shown in this section may not be drawn to scale.

AVAILABLE FINISHES FOR PRODUCTS SHOWN ON THIS PAGE (see General Information section for finish chart)

**10BE** (Satin Bronze Powder Coated Aluminum) **A** (Mill Finish Aluminum)  
**BSP** (Black Suede Powder Coated Aluminum) **C** (Clear Anodized) **D** (Dark Bronze Anodized)  
**G** (Gold Anodized) **WSP** (White Suede Powder Coated Aluminum)

Corner Pads: **BL** (Black) **W** (White)

800-824-3018 | www.pemko.com

Check the web site for the up-to-date catalog

Copyright © 2015-2022, ASSA ABLOY Accessories and Door Controls Group, Inc., an ASSA ABLOY Group company. All rights reserved. Reproduction in whole or in part without the express written permission of ASSA ABLOY Accessories and Door Controls Group, Inc. is prohibited.

**PEMKO**  
**ASSA ABLOY**

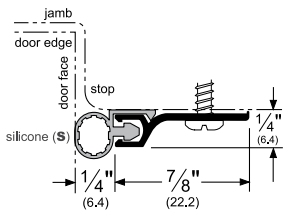
Experience a safer  
and more open world

## STANDARD PERIMETER GASKETING

- Rigid jamb weatherstrip shown mounted on openings with  $\frac{1}{16}$ " gaps; however, each weatherstrip can seal gaps up to the depth of its seal. Seal depth provided on each illustration (example: the **303** has a  $\frac{1}{4}$ " seal; therefore, it can seal up to a  $\frac{1}{4}$ " gap)
- Punched on 6" centers with slotted holes for adjustment
- Model 303 is available with self-adhesive two-sided tape (TST) and tek screws (3 slotted holes per part) for easy installation. To obtain this option, add "TST" to the end of the part when ordering (example: **303AVTST**)
- Pemko is continually commissioning tests for acoustic assemblies. More profiles may be tested from this category. Please contact Customer Service if the options here don't suit your application.

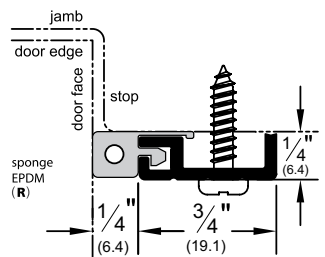
### 303\_S

AVAILABLE FINISHES: **10BE, A, BSP, C, D, G, PW, SN, WSP**  
 REPLACEMENT INSERT: **S3 (BL, GR, W)**  
 ANSI: **R3E164, R3E165**



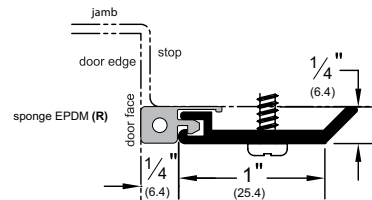
### 312\_R

AVAILABLE FINISHES: **10BE, BSP, C, D, G, WSP**  
 REPLACEMENT INSERT: **ER9BL (BL)**  
 ANSI (alum): **R3G164, R3G165**



### 315\_R

AVAILABLE FINISHES: **10BE, BSP, C, D, G, WSP**  
 REPLACEMENT INSERT: **ER9BL (BL)**  
 ANSI (alum): **R3G164, R3G165**  
 • Please consult website for correct 315BR profile.



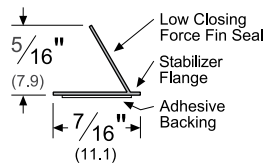
## SILICONSEAL ADHESIVE-BACKED GASKETING

- SiliconSeal is extruded from high-temperature silicone; effective between -58°F and 450°F
- Self-extinguishing and non-toxic; unaffected by sunlight, ozone, and ultraviolet rays
- Impervious to fungus and mildew; will not deteriorate under normal exposure
- Meets FAR 25.853 Airworthiness Standards for Compartment Interiors

### S44

AVAILABLE FINISHES: **BL, C, D, GR, W**  
 AVAILABLE LENGTHS: **17', 18', 20', 21', 25', 30', 204', 510'**  
 ANSI: **R0E154, R0E155**

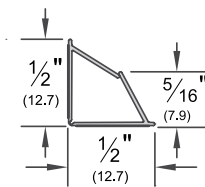
- Designed for tighter frames
- Demonstrates extremely low closing force
- Seal begins compressing at  $\frac{5}{16}$ "; compresses to seal up to a  $\frac{1}{16}$ " gap



### S442

AVAILABLE FINISHES: **BL, D, GR, W**  
 AVAILABLE LENGTHS: **17', 18', 20', 21', 25', 30', 510'**  
 ANSI: **R0E154, R0E155**

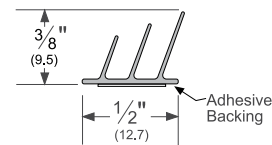
- Fits flush into corner
- Seal begins compressing at  $\frac{5}{16}$ "; compresses to seal up to a  $\frac{1}{16}$ " gap in either direction



### S773

AVAILABLE FINISHES: **BL, D, GR, W**  
 AVAILABLE LENGTHS: **17', 18', 20', 21', 25', 30', 250', 500'**  
 ANSI: **R0E154, R0E155**

- Triple-fin design effectively blocks light and sound from infiltrating a room
- Seal begins compressing at  $\frac{3}{8}$ "; compresses to seal up to a  $\frac{1}{16}$ " gap



NOTE: Products shown in this section may not be drawn to scale.

AVAILABLE FINISHES FOR PRODUCTS SHOWN ON THIS PAGE (see General Information section for finish chart)

Metal: **10BE** (Satin Bronze Powder Coated Aluminum) **A** (Mill Finish Aluminum)  
**BSP** (Black Suede Powder Coated Aluminum) **D** (Dark Bronze Anodized) **G** (Gold Anodized)  
**PW** (Painted White) **SN** (Satin Nickel Anodized) **WSP** (White Suede Powder Coated Aluminum)  
 SiliconSeal: **BL** (Black) **C** (Clear) **D** (Dark) **GR** (Gray) **W** (White)

**PEMKO**  
**ASSA ABLOY**

Experience a safer  
 and more open world

800-824-3018 | www.pemko.com  
 Check the web site for the up-to-date catalog

Copyright © 2015-2022, ASSA ABLOY Accessories and Door Controls Group, Inc., an ASSA ABLOY Group company. All rights reserved. Reproduction in whole or in part without the express written permission of ASSA ABLOY Accessories and Door Controls Group, Inc. is prohibited.



## CONTENTS:

H180A Series .....	228
SHS80 Series .....	229
Sliding 200 Series.....	230
Side Wall Track (SWT) System .....	231
Bypass Track Series .....	234
SIM200A Series.....	235
LP200 Series .....	236
Sirocco Series.....	237
H300S-OH Series.....	238
H300S-SW Series.....	239
H440A-OH Series .....	240
H440A-SW Series.....	241
H600S-OH Series.....	242
H600S-SW Series.....	243
H800S-OH Series.....	244
H800S-SW Series.....	245
H1100A-OH Series .....	246
H1100A-SW Series .....	247
Husky Sliding Glass Series.....	248
Pocket Frame Kit.....	249
Folding 100 Series.....	250
Pacer Interior End Fold Series .....	251
Flexirol Interior End Fold Series.....	252
Hidden Sliding Door System .....	253
Stainless Steel Sliding Track Hardware System for Wood Doors .....	254
Stainless Steel Sliding Track Hardware System for Glass Doors.....	263
Builders Series Flat Track for Wood Doors .....	265
Designer Series Flat Track for Wood Doors.....	267
SIM 150 - 2 Door .....	271
SIM 150 - 3 Door .....	272
Cascading Door with Sample Configurations .....	273
SDL Privacy Barn Door Lock.....	274
Options and Accessories .....	275
Privacy Seal Sets .....	275
Soft Close Systems .....	276

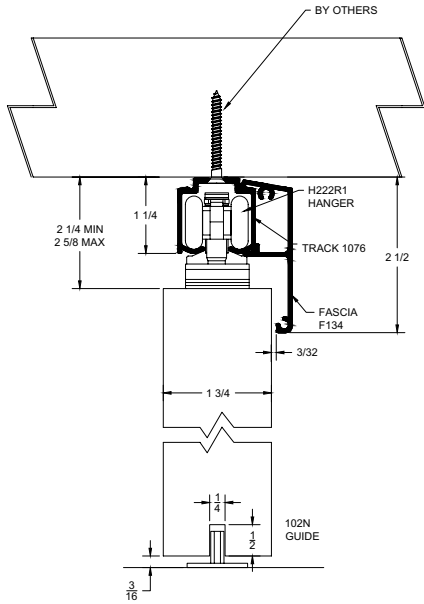
## INDEX:

PRODUCT	PAGE	PRODUCT	PAGE	PRODUCT	PAGE	PRODUCT	PAGE	PRODUCT	PAGE	PRODUCT	PAGE
1A/290 .....	239	94A .....	238	281 .....	229	971A .....	246	H200PACK .....	275	PFBG-4 .....	275
1A/290/EC .....	238	94A .....	250	281 .....	235	971A .....	250	H222R1 .....	228	PFBG-8 .....	249
1A/301 .....	243	94A .....	275	281 .....	248	971A .....	275	H222R1 .....	249	PFBG-8 .....	275
1A/301/EC .....	242	102N .....	228	281 .....	250	1075C .....	228	H222R1 .....	273	PFBS .....	249
1A/550 .....	247	102N .....	238	281 .....	275	1076 .....	273	H300S-OH .....	238	PFBS .....	275
1AX/290 .....	239	102N .....	254	282HD .....	250	2802 .....	234	H300S-SW .....	239	PFCDKIT .....	249
1AX/301 .....	243	102N .....	265	283 .....	250	2802 .....	273	H440A-OH .....	240	PFFC-8 .....	249
1AX/301 .....	245	102N .....	275	284D .....	248	2802BT .....	234	H440A-SW .....	241	PFHB-1 .....	249
1B .....	241	102WA .....	228	287R1-KIT .....	228	2802BT .....	275	H600S-OH .....	242	PFHB-2 .....	249
1BX .....	241	102WA .....	230	287R1-KIT .....	230	2803 .....	271	H600S-SW .....	243	PFHS .....	249
3A/290 .....	238	102WA .....	235	287R1-KIT .....	234	2812 .....	234	H800S-OH .....	244	PFKIT-4 .....	249
3A/301 .....	242	102WA .....	239	289B .....	250	2812 .....	273	H800S-SW .....	245	PFKIT-8 .....	249
3A/301 .....	244	102WA .....	241	289T .....	250	2812 .....	275	H1100A-OH .....	246	PIF2/165A .....	251
3AX/290 .....	238	102WA .....	245	290 .....	238	BAR .....	254	H1100A-SW .....	247	PIF4/165A .....	251
3AX/301 .....	242	102WA .....	275	301 .....	242	BRACKET2 .....	254	HBP200A .....	234	SDL .....	274
3AX/301 .....	244	102WN .....	228	403/2 .....	251	EPD3 .....	228	HF2/100 .....	250	SHS80 .....	229
8-12/SN .....	248	102WN .....	235	550A .....	246	EPD3 .....	234	HF2/100PACK .....	250	SIM100 .....	235
12 .....	263	102WN .....	239	550A .....	252	EPD3 .....	254	HF2/100PACK .....	275	SIM150 .....	271
21/550/P .....	252	102WN .....	241	556/21 .....	252	EPD3 .....	265	HF4/100 .....	250	SIM150-BOLTKIT .....	271
21BO/4 .....	251	102WN .....	243	556/57 .....	246	EPD3 .....	271	HH3/290 .....	238	SIM150-LOCKKIT .....	271
21B/P .....	251	102WN .....	245	600A .....	240	F134 .....	228	HH3/301 .....	242	SIM200A .....	235
21N/94 .....	251	102WN .....	265	600A .....	251	F134 .....	234	K28_SWEP .....	231	SIRF/2500 .....	237
21R/94 .....	252	106HF/94 .....	250	601H .....	229	F134 .....	271	K134EP .....	229	SIRLH/SIRRH .....	237
32 .....	264	106N/94 .....	275	601H .....	235	F134 .....	275	K134EP .....	235	SOFT CLOSE .....	276
57A/N .....	244	106R/94 .....	228	601H .....	248	F160C .....	240	K134EP .....	275	STOP1 .....	257
57A/S .....	242	106R/94 .....	238	601H .....	273	F160ECP .....	240	K1077_SWEP .....	228	STOP1 .....	264
57B .....	240	106R/94 .....	275	601H .....	275	F200C .....	241	LH100 .....	236	STOP1 .....	275
57K/N .....	238	111 .....	260	601P .....	240	F200ECP .....	241	LP200A .....	236	STOP2 .....	254
62 .....	254	280 .....	228	971A .....	228	FIF2/275A .....	252	PF134 KIT .....	249	STOP2 .....	256
72 .....	257	280 .....	235	971A .....	235	G60 to G70 .....	263	PF28200A .....	249	STOP2 .....	262
82 .....	258	280 .....	250	971A .....	238	GLASSGUIDE .....	263	PFAS .....	249	W60 to W100 .....	254
89/2N .....	238	280_SWF .....	231	971A .....	240	H180A .....	228	PFAS88 .....	249		
92 .....	259	280_SWT .....	231	971A .....	242	H200 .....	230	PFAS100 .....	249		
94A .....	228	280_SWTKIT .....	231	971A .....	244	H200PACK .....	230	PFBG-4 .....	249		

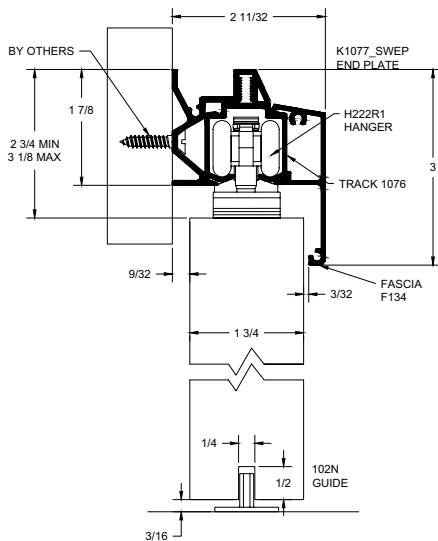
# H180A SERIES

For Sliding Panels up to 200 lbs.

## Overhead Mount



## Side Wall Mount



### Configurations:

- Single
- Bi-parting

### Installations:

- Overhead Mount
- Side Wall Mount

### Features:

- Hanger body is made of nickel plated zinc alloy for durability and long life
- Steel ball bearing wheels coated in nylon for smooth operation
- 200 lb. panel capacity
- Optional side wall bracket reduces the amount of wall space needed to mount the track
- Optional Soft Close
- 5 year warranty
- Meets ADA push force requirements

### H180A Kits Include:

- 1 ea **280C** Clear Anodized Aluminum Track
- 2 ea **H222R1** - Nickel Plated Zinc Alloy Body Zinc Alloy Wheels Coated in Nylon
- 2 ea **287R1-KIT** Rubber Bumper In-Track Stop
- 1 ea **102N** White Nylon Mortise Guide

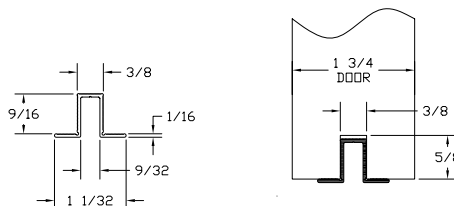
### Standard Kit Sizes

PART NUMBER	MATERIAL	TRACK LENGTH	DOOR WIDTH
H180A/6	Aluminum	72"	36"
H180A/8	Aluminum	96"	48"

### Options:

- Fascia
  - F134C** clear anodized aluminum fascia
  - F134D** dark bronze anodized fascia
- Side Wall Track Bracket
  - 1075C** clear anodized aluminum bracket- order same length as track
  - 280D** dark bronze anodized track
- Track
  - K1077C-SWEP** (use with F134C fascia and 1075C side wall bracket only)
- End Plate Kit
  - 94A**
  - 106R/94**
  - 971A**
  - 102WN** (nylon) and **102WA** (steel)
- Bottom Channel
  - 106R/94**
- Roller Guide
  - 971A**
- Threshold
  - 102WN** (nylon) and **102WA** (steel)
- Side Wall Mount
  - 102WN** (nylon) and **102WA** (steel)
- Mortise Guides
  - 102WN** (nylon) and **102WA** (steel)
- Polypropylene Guide Rail
  - EPD3BL** for use with 102N or 102WN
- Soft Close available. See pages 275-277 for more information.

### Alternate Route for EPD3BL

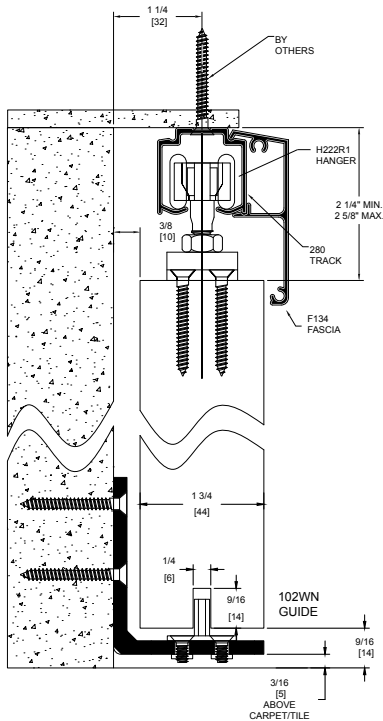


Experience a safer and more open world

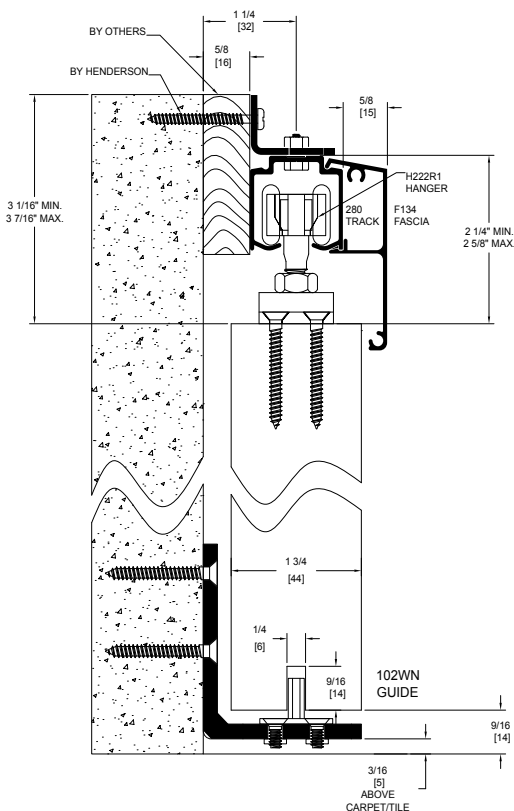
# SHS80 SERIES

For Sliding Panels up to 200 lbs.

## Overhead Mount



## Side Wall Mount



### Configurations:

- Single
- Bi-parting

### Installations:

- Overhead Mount
- Side Wall Mount

### Features:

- Hanger body is made of nickel plated zinc alloy for durability and long life
- Steel ball bearing wheels coated in nylon for smooth operation
- 200 lb. panel capacity
- Optional Soft Close
- 5 year warranty
- Meets ADA push force requirements

### SHS80 Kits Include:

- 1 ea **280C** Clear Anodized Aluminum Track
- 2 ea **H222R1** - Nickel Plated Zinc Alloy Body
- 2 ea **601H** Nylon In-Track Clip Stop
- 1 ea **102WN** White Nylon Mortise Guide on Zinc Plated Steel "L" Metal

Standard Kit Sizes			
PART NUMBER	MATERIAL	TRACK LENGTH	DOOR WIDTH
SHS80/6	Aluminum	72"	36"
SHS80/8	Aluminum	96"	48"

### Options:

Fascia

**F134C** clear anodized aluminum fascia

**F134D** dark bronze anodized fascia

Side Wall Track Brackets

**PC2815** available as 5 pack only, PC2815 pack of 5 281 zinc plated side wall bracket. NOTE: Need one at each end and no more than 2 feet in-between. Fasteners included.

Track

**280D** dark bronze anodized track

End Plate Kit

**K134EP** (use with F134C and 280C only)

Bottom Channel

**94A**

Roller Guide

**106R/94**

Threshold

**971A**

Side Wall Mount

**SHS80/PACK**

Extra Hardware Pack

**102N**

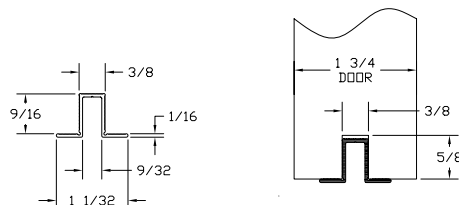
Mortise Floor Guide

**EPD3BL** for use with 102N or 102WN

Polypropylene Guide Rail

Soft Close available. See pages 275-277 for more information.

### Alternate Route for EPD3BL



800-824-3018 | www.pemko.com

Check the web site for the up-to-date catalog

Copyright © 2015-2022, ASSA ABLOY Accessories and Door Controls Group, Inc., an ASSA ABLOY Group company. All rights reserved. Reproduction in whole or in part without the express written permission of ASSA ABLOY Accessories and Door Controls Group, Inc. is prohibited.

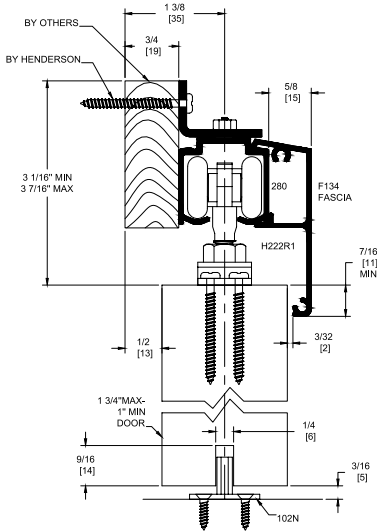
**PEMCO**  
**ASSA ABLOY**

Experience a safer  
and more open world

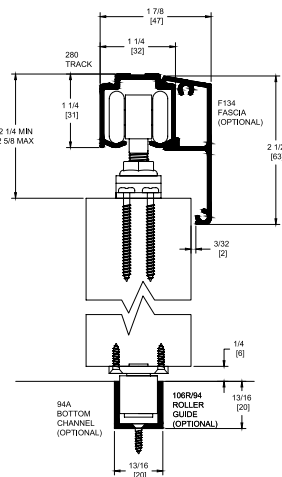
# SLIDING 200 SERIES

**For Sliding Panels up to 200 lbs.**  
 Manufactured by P.C. Henderson

## 280C Side Wall Mounted



## 280C Soffit Mounted with Fascia



### Configurations:

- Single
- Bi-parting

### Installations:

- Overhead Mount
- Side Wall Mount

### Features:

- Hanger body is made of nickel plated zinc alloy for durability and long life
- Steel ball bearing wheels coated in nylon for smooth operation
- 200 lb. panel capacity
- Galvanized steel track 280
- Clear anodized aluminum track 280C
- Optional Soft Close
- 5 year warranty
- Meets ADA push force requirements

### H200A Kits Include:

- 1 ea **280C** Clear Anodized Aluminum Track
- 2 ea **H222R1** Hangers
- 1 ea **102N** Nylon Guide
- 2 ea **TELS-14KIT** Stops
- 1 ea Adjusting Wrench and Mounting Hardware

### H200 Kits Include:

- 1 ea **280** Steel Track
- 2 ea **H222R1** Hangers
- 1 ea **102N** Nylon Guide
- 2 ea **TELS-14KIT** Stops
- 1 ea Adjusting Wrench and Mounting Hardware

### Standard Kit Sizes

PART NUMBER	MATERIAL	TRACK LENGTH	DOOR WIDTH
H200A/4	Aluminum	48"	24"
H200A/6	Aluminum	72"	36"
H200A/7	Aluminum	84"	42"
H200A/8	Aluminum	96"	48"
H200A/10	Aluminum	120"	60"
H200A/12	Aluminum	144"	72"
H200/6	Steel	72"	36"
H200/8	Steel	96"	48"

### Options:

Hardware Kit  
 Mounting Bracket

### H200PACK

**PC2815** available as 5 pack only,  
**PC2815** pack of 5 281 zinc plated side wall bracket  
 NOTE: Need one at each end and no more than 2 feet in-between  
 Fasteners included

### 287R1-KIT

**94A**  
**F134C** in clear anodized (**280C** only)  
**F134D** dark bronze anodized fascia  
**280D** dark bronze anodized  
**106R/94**  
**102WA** (steel) and **102WN** (nylon)  
**971A**  
**K134EP** (use with F134C and 280C only)

Track Stop (bumper)  
 Bottom Channel  
 Fascia, Snap-On

Track  
 Roller Guide  
 Side Wall Mortise Guide  
 Threshold  
 End Plate

Polypropylene Guide Rail **EPD3BL** for use with 102N or 102WN  
 Soft Close available. See pages 275-277 for more information.



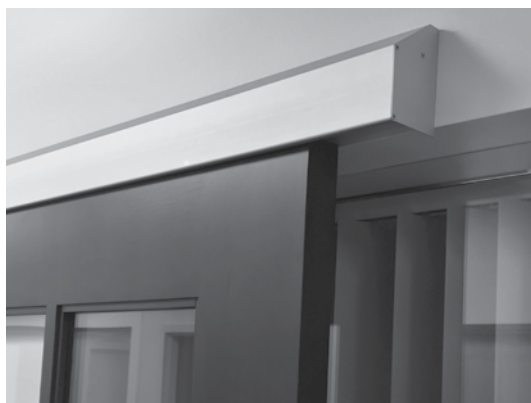
Experience a safer and more open world



# SIDE WALL TRACK (SWT) SYSTEM

## For Sliding Panels up to 200 lbs.

The Pemko Side Wall Track System has a unique mounting bracket that is extruded with the track. An innovative wall mounted bottom guide assembly allows carpet to be replaced without removing the door.



### Configurations:

- Single
- Bi-parting

### Installations:

- Side Wall Mount

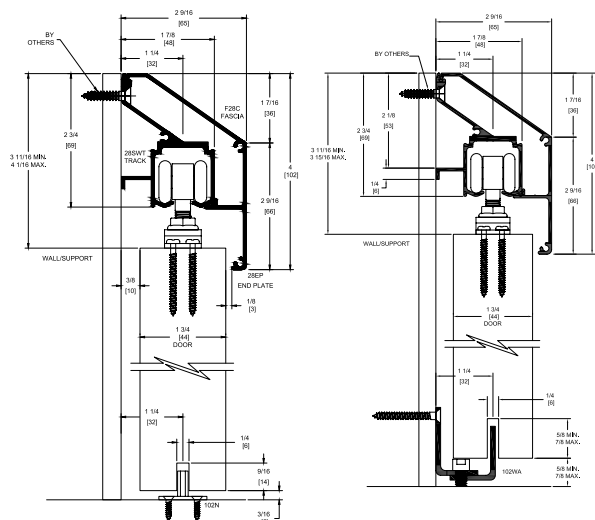
### Features:

- Unique mounting bracket extruded into track
- Supports up to 200 lbs. per door
- Quick, easy attachment
- New construction or retrofit
- Optional Soft Close
- 5 year warranty
- Meets ADA push force requirements

## 280SWT Kits Include:

- 1ea **280\_-SWT** Aluminum Track
- 1ea **280\_-SWF** Aluminum Fascia
- 1ea **K28\_-SWEP** Pair of End Plates
- 2ea **H222R1** Hangers
- 2ea **TELS-14KIT** In Track Stops
- 1ea **102N** White Nylon Mortise Guide
- 1ea **102WA** Wall Mounted Mortise Guide
- 1ea Adjusting Wrench

## SWT Kit Side Wall Mounted



Standard Kit Sizes		
PART NUMBER	TRACK LENGTH	DOOR WIDTH
(Mill Finished Track/Clear Anodized Fascia/End Plates)		
280C-SWTKIT/6	72"	36"
280C-SWTKIT/8	96"	48"
280C-SWTKIT/12*	144"	2 @ 36"
(Dark Bronze Anodized Track/Fascia/End Plates)		
280D-SWTKIT/6	72"	36"
280D-SWTKIT/8	96"	48"
280D-SWTKIT/12*	144"	2 @ 36"

\*NOTE: 280\_-SWTKIT/12 comes with enough hardware for two doors.

### Options:

- Hardware Kit (one door) **H200PACK**
- Roller Guide **106R/94**
- Bottom Channel **94A**
- Nylon Mortise Guide **102WN**
- Stainless Steel Flush Bolt **FB150SS**
- Stainless Steel Flush Pull **503SF**

Soft Close available. See pages 275-277 for more information.

AVAILABLE FINISHES FOR PRODUCTS SHOWN ON THIS PAGE (see General Information section for finish chart)  
 A (Mill Finish Aluminum) C (Anodized Aluminum) D (Dark Bronze Anodized)

800-824-3018 | www.pemko.com  
 Check the web site for the up-to-date catalog

Copyright © 2015-2022, ASSA ABLOY Accessories and Door Controls Group, Inc., an ASSA ABLOY Group company. All rights reserved.  
 Reproduction in whole or in part without the express written permission of ASSA ABLOY Accessories and Door Controls Group, Inc. is prohibited.



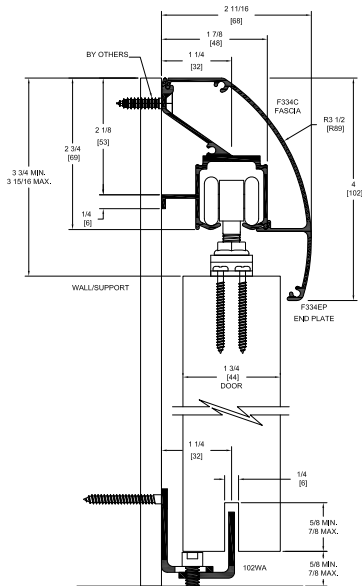
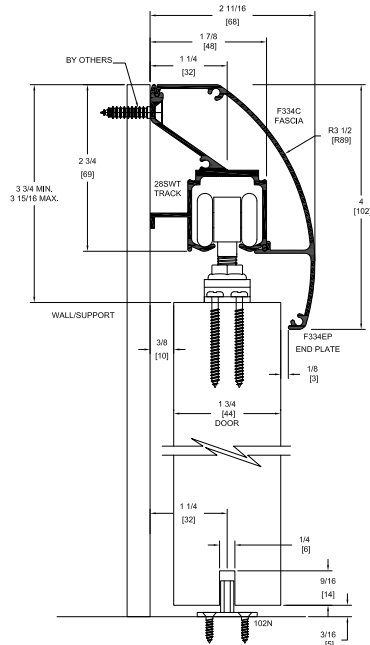
Experience a safer  
and more open world

# SIDE WALL TRACK SYSTEM WITH RADIUS FASCIA (RF280\_-SWTK)

## For Sliding Panels up to 200 lbs.

Pemko Side Wall Track Systems have a unique mounting bracket that is extruded with the track. An innovative wall mounted bottom guide assembly allows carpet to be replaced without removing the door.

### SWT Kit Side Wall Mounted



### Configurations:

- Single
- Bi-parting

### Installations:

- Side Wall Mount

### Features:

- Unique mounting bracket extruded into track
- Supports up to 200 lbs. per door
- Quick, easy attachment
- New construction or retrofit
- Optional Soft Close
- 5 year warranty
- Meets ADA push force requirements

### RF280 SWT Kits Include:

- 1ea **280\_-SWT** Aluminum Track
- 1ea **F334\_** Aluminum Fascia
- 1ea **KF334\_-SWEP** Pair of End Plates
- 2ea **H222R1** Hangers
- 2ea **TELS-14KIT** In Track Stops
- 1ea **102N** White Nylon Mortise Guide
- 1ea **102WA** Wall Mounted Mortise Guide
- 1ea Adjusting Wrench

### Standard Kit Sizes

PART NUMBER	TRACK LENGTH	DOOR WIDTH
(Mill Finished Track/Clear Anodized Fascia/End Plates)		
RF280C-SWTK/6	72"	36"
RF280C-SWTK/8	96"	48"
RF280C-SWTK/12 *	144"	2 @ 36"
(Dark Bronze Anodized Track/Fascia/End Plates)		
RF280D-SWTK/6	72"	36"
RF280D-SWTK/8	96"	48"
RF280D-SWTK/12 *	144"	2 @ 36"

\*NOTE: RF280\_-SWTK/12 comes with enough hardware for two doors.

### Options:

- Hardware Kit (one door) **H200PACK**
- Roller Guide **106R/94**
- Bottom Channel **94A**
- Nylon Mortise Guide **102WN**
- Stainless Steel Flush Bolt **FB150SS**
- Stainless Steel Flush Pull **503SF**

Soft Close available. See pages 275-277 for more information.

AVAILABLE FINISHES FOR PRODUCTS SHOWN ON THIS PAGE (see General Information section for finish chart)  
 A (Mill Finish Aluminum) C (Clear Anodized) D (Dark Bronze Anodized)



Experience a safer and more open world

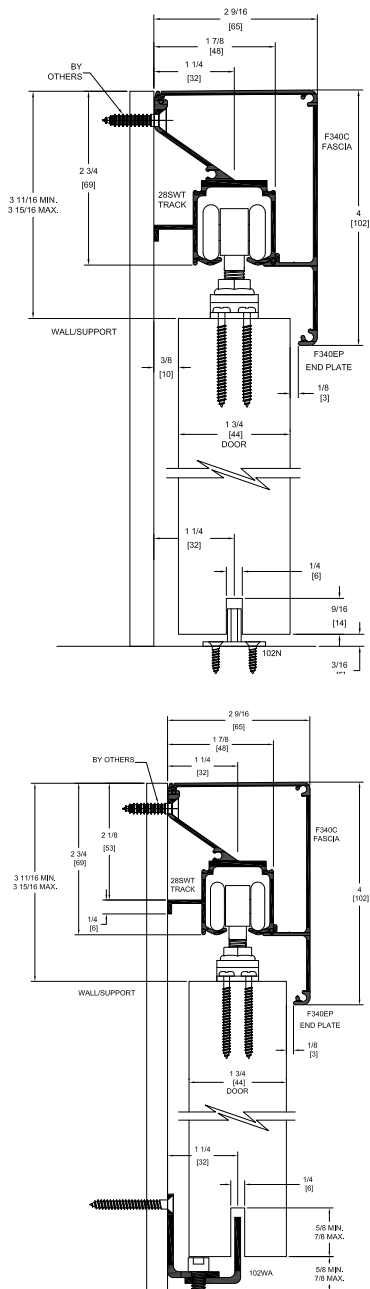


# SIDE WALL TRACK SYSTEM WITH SQUARE FASCIA (SF280\_-SWTK)

## For Sliding Panels up to 200 lbs.

Pemko Side Wall Track Systems have a unique mounting bracket that is extruded with the track. An innovative wall mounted bottom guide assembly allows carpet to be replaced without removing the door.

### SWT Kit Side Wall Mounted



### Configurations:

- Single
- Bi-parting

### Installations:

- Side Wall Mount

### Features:

- Unique mounting bracket extruded into track
- Supports up to 200 lbs. per door
- Quick, easy attachment
- New construction or retrofit
- Optional Soft Close
- 5 year warranty
- Meets ADA push force requirements

### SF280SWT Kits Include:

- 1ea **280\_-SWT** Aluminum Track
- 1ea **F340\_** Aluminum Fascia
- 1ea **KF340\_-SWEP** Pair of End Plates
- 2ea **H222R1** Hangers
- 2ea **TELS-14KIT** In Track Stops
- 1ea **102N** White Nylon Mortise Guide
- 1ea **102WA** Wall Mounted Mortise Guide
- 1ea Adjusting Wrench

Standard Kit Sizes		
PART NUMBER	TRACK LENGTH	DOOR WIDTH
(Mill Finished Track/Clear Anodized Fascia/End Plates)		
SF280C-SWTK/6	72"	36"
SF280C-SWTK/8	96"	48"
SF280C-SWTK/12 *	144"	2 @ 36"
(Dark Bronze Anodized Track/Fascia/End Plates)		
SF280D-SWTK/6	72"	36"
SF280D-SWTK/8	96"	48"
SF280D-SWTK/12 *	144"	2 @ 36"

\*NOTE: SF280\_-SWTK/12 comes with enough hardware for two doors.

### Options:

- Hardware Kit (one door) **H200PACK**
- Roller Guide **106R/94**
- Bottom Channel **94A**
- Nylon Mortise Guide **102WN**
- Stainless Steel Flush Bolt **FB150SS**
- Stainless Steel Flush Pull **503SF**

Soft Close available. See pages 275-277 for more information.

AVAILABLE FINISHES FOR PRODUCTS SHOWN ON THIS PAGE (see General Information section for finish chart)  
 A (Mill Finish Aluminum) C (Clear Anodized) D (Dark Bronze Anodized)

800-824-3018 | www.pemko.com  
 Check the web site for the up-to-date catalog

Copyright © 2015-2022, ASSA ABLOY Accessories and Door Controls Group, Inc., an ASSA ABLOY Group company. All rights reserved.  
 Reproduction in whole or in part without the express written permission of ASSA ABLOY Accessories and Door Controls Group, Inc. is prohibited.

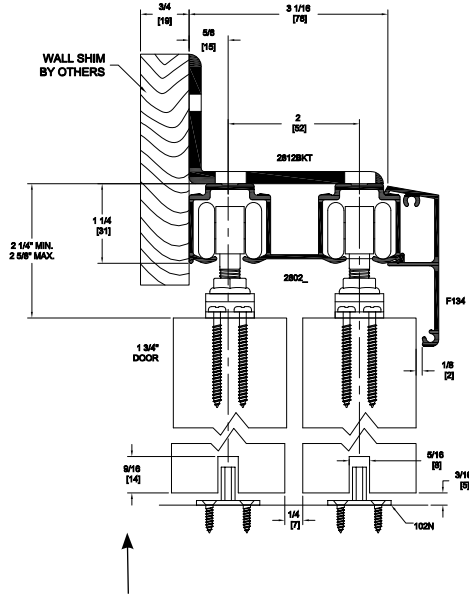


Experience a safer  
and more open world

# BYPASS TRACK SERIES

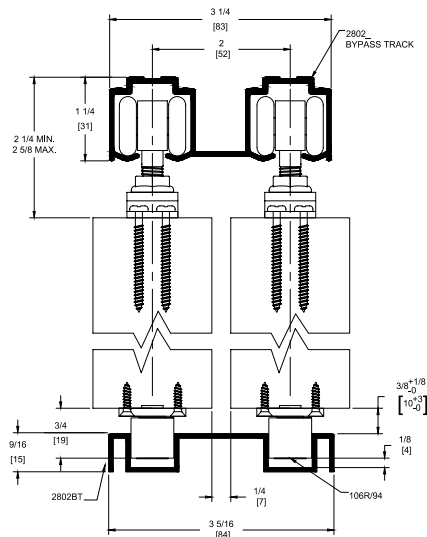
For Bypass Doors up to 200 lbs.

## 1 3/4" Thick Doors Side Wall Mount



NOTE: Route door 9/16" deep by 1/4" wide to receive 102N Guide.

## 1 3/4" Thick Doors Overhead Mount



\* Side Wall mounting: use one (1) 2812KIT at each end of track and 24" on center

### Configurations:

- For Bypass Doors

### Features:

- Fits 1 3/8" and 1 3/4" doors
- Hanger body is made of nickel plated zinc alloy for durability and long life
- Steel ball bearing wheels coated in nylon for smooth operation
- 200 lb. panel capacity
- Load capacity 200 lbs. per door panel (2 hangers)
- Extruded aluminum track
- Optional Soft Close
- 5 year warranty
- Meets ADA push force requirements

### HBP200A Kits Include:

- 1 ea **2802C** Clear Anodized Aluminum Track
- 4 ea **H222R1** Hangers
- 2 ea **102N** White Nylon Mortise Guide
- 4 ea **TELS-14KIT** In Track Stops
- 1 ea Adjusting Wrench and Mounting Hardware

Standard Kit Sizes		
PART NUMBER	TRACK LENGTH	DOOR WIDTH
HBP200A/4	48"	2 @ 26" Min*
HBP200A/5'4	64"	2 @ 34" Min*
HBP200A/6	72"	2 @ 38" Min*
HBP200A/7	84"	2 @ 44" Min*
HBP200A/8	96"	2 @ 50" Min*
HBP200A/10	120"	2 @ 62" Min*
HBP200A/12	144"	2 @ 74" Min*

\*Minimum door overlap is 2".

### Options:

- |                          |  |
|--------------------------|--|
| Hardware Kit             | <b>H200PACK</b>  |
| Mounting Bracket         | <b>2812KIT</b>   |
| Track                    | <b>2802D</b> dark bronze anodized track  |
| Track Stop (bumper)      | <b>287R1-KIT</b>   |
| Bottom Channel           | <b>94A</b>   |
| Fascia, Snap-On          | <b>F134C</b> clear anodized aluminum fascia. <b>F134D</b> dark bronze anodized aluminum fascia |
| Roller Guide             | <b>106R/94</b>   |
| Dual Guide Channel       | <b>2802BT</b>  |
| Polypropylene Guide Rail | <b>EPD3BL</b> for use with 102N  |
- Soft Close available. See pages 275-277 for more information.



Experience a safer and more open world

AVAILABLE FINISHES FOR PRODUCTS SHOWN ON THIS PAGE (see General Information section for finish chart)  
A (Mill Finish Aluminum) C (Clear Anodized)

800-824-3018 | www.pemko.com  
Check the web site for the up-to-date catalog

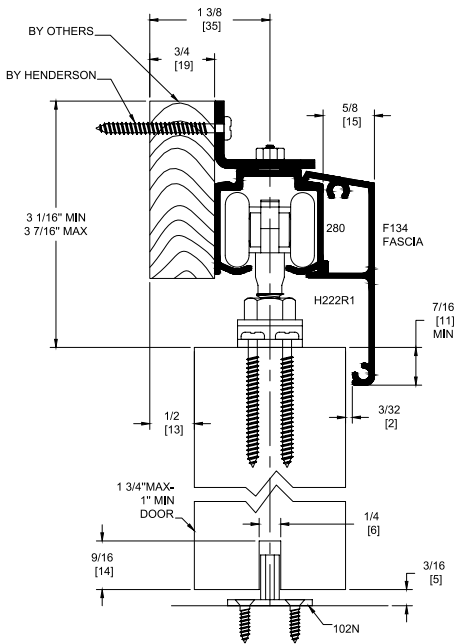
Copyright © 2015-2022, ASSA ABLOY Accessories and Door Controls Group, Inc., an ASSA ABLOY Group company. All rights reserved. Reproduction in whole or in part without the express written permission of ASSA ABLOY Accessories and Door Controls Group, Inc. is prohibited.

# SIM200A SERIES

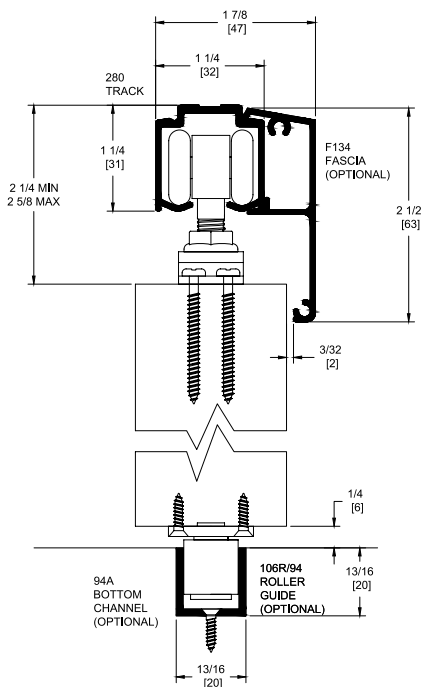
For Sliding Doors up to 48" wide and 200 lbs.

Manufactured by P.C. Henderson

## Side Wall Mount



## Overhead Mount



Simultaneous Action Unit (SIM) allows the simultaneous operation of two doors.

### Configurations:

- Bi-parting

### Installations:

- Overhead Mount
- Side Wall Mount

### Features:

- Allows individual bi-part doors to act as a single operating unit. When one door is opened or closed, the second door operates simultaneously
- 200 lb. panel capacity
- Hanger body is made of nickel plated zinc alloy for durability and long life
- Steel ball bearing wheels coated in nylon for smooth operation
- Clear anodized aluminum track 280C
- 2 year warranty

### SIM200A Kits Include:

- 1 ea **280C** Clear Anodized Aluminum Track
- 4 ea **H222R1** Hangers
- 4 ea **601H** Nylon In-Track Clip Stop
- 2 ea **102N** White Nylon Mortise Guide
- 1 ea **SIM100** Cable and Pulley Kit

### Standard Kit Sizes

PART NUMBER	MATERIAL	TRACK LENGTH	DOOR WIDTH
SIM200A/6	Aluminum	72"	2 @ 18"
SIM200A/8	Aluminum	96"	2 @ 24"
SIM200A/12	Aluminum	2 @ 72"	2 @ 36"
SIM200A/16	Aluminum	2 @ 96"	2 @ 48"

### Options:

Fascia

- F134C** clear anodized aluminum fascia
- F134D** dark bronze anodized fascia
- 280D** dark bronze anodized

Side Wall Track Brackets

- PC2815** available as 5 pack only, **PC2815** pack of 5 281 zinc plated side wall bracket. NOTE: Need one at each end and no more than 2 feet in-between. Fasteners included.

End Plates

- K134EP** (use with F134C only)

Bottom Channel

- 94A**

Roller Guide

- 106R/94**

Threshold

- 971A**

Side Wall Mortise Guides

- 102WN** (nylon) and **102WA** (steel)

Polypropylene Guide Rail

- EPD3BL** for use with 102N or 102WN

800-824-3018 | www.pemko.com

Check the web site for the up-to-date catalog

Copyright © 2015-2022, ASSA ABLOY Accessories and Door Controls Group, Inc., an ASSA ABLOY Group company. All rights reserved. Reproduction in whole or in part without the express written permission of ASSA ABLOY Accessories and Door Controls Group, Inc. is prohibited.

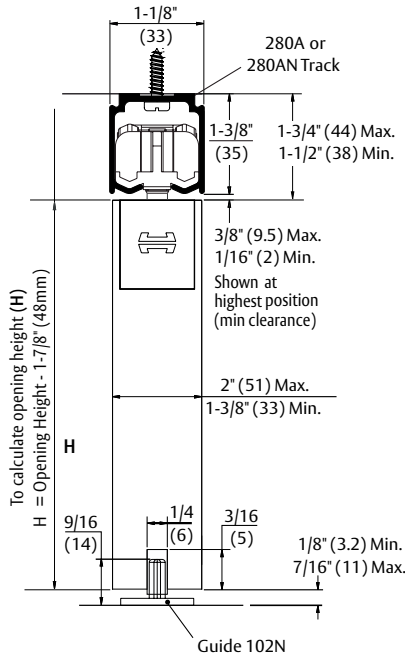
**PEMKO**  
**ASSA ABLOY**

Experience a safer  
and more open world

## LP200 SERIES

**For Sliding Panels up to 200 lbs.**

Manufactured by P.C. Henderson



Low profile design for use where space is limited.

### Configurations:

- Single
- Bi-parting

### Installations:

- Overhead Mount
- Side Wall Mount

### Features:

- Used to maximize door height
- Designed to give a modern clean finish with all parts concealed. Ideal for applications where minimal clearance between track and door is required
- Easy installation and adjustment
- 200 lb. panel capacity
- Needle bearing nylon wheels for smooth operation
- Clear anodized aluminum track 280C
- 2 year warranty
- Meets ADA push force requirements

### LP200A Kits Include:

- 1 ea **280C** Clear Anodized Aluminum Track
- 1 ea **LH100** Hardware Kit

### LH100 Hardware Kits Include:

- 2 ea Low Head Room Units
- 2 ea End Caps
- 2 ea In-Track Clip Stops
- 1 ea Screw Pack
- 2 ea Low Head Room Hangers
- 1 ea **102N** White Nylon Mortise Guide
- 1 ea Small Spanner and 4mm Allen Key

### Standard Kit Sizes

PART NUMBER	MATERIAL	TRACK LENGTH	DOOR WIDTH
LP200A/6	Aluminum	72"	36"
LP200A/8	Aluminum	96"	48"
LP200A/10	Aluminum	120"	60"

### Options:

Side Wall Track Bracket

**PC2815** available as 5 pack only, **PC2815** pack of 5 281 zinc plated side wall bracket  
NOTE: Need one at each end and no more than 2 feet in-between. Fasteners included.

Bottom Channel

**94A**

Roller Guide

**106R/94**

Threshold

**971A**

**PEMKO**  
**ASSA ABLOY**

Experience a safer  
and more open world

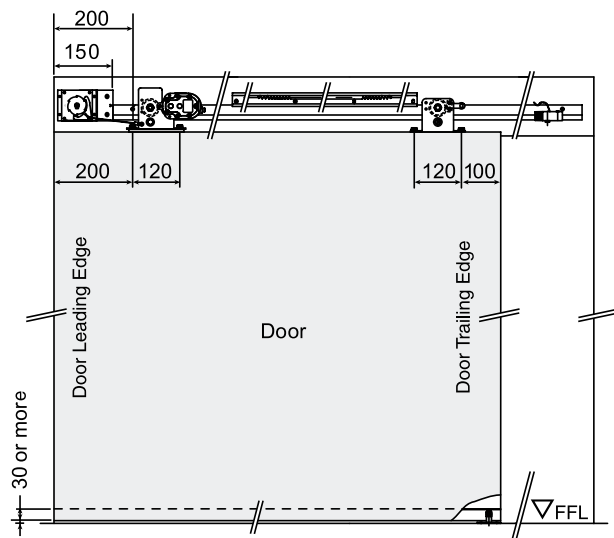
800-824-3018 | [www.pemko.com](http://www.pemko.com)  
Check the web site for the up-to-date catalog

Copyright © 2015-2022, ASSA ABLOY Accessories and Door Controls Group, Inc., an ASSA ABLOY Group company. All rights reserved. Reproduction in whole or in part without the express written permission of ASSA ABLOY Accessories and Door Controls Group, Inc. is prohibited.

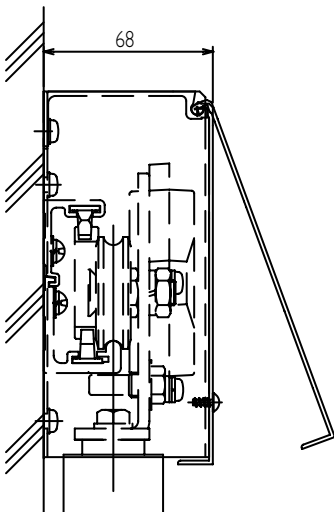
# SIROCCO SERIES

**For Sliding Panels up to 176 lbs.**

Manufactured by P.C. Henderson



Right Hand SIRRH Shown Above and Below



The Sirocco system is a quiet, user friendly, self closing system which brings the door gently to a close.

The integrated hydraulic soft stop brings the door to a safe and cushioned close making it ideal for disabled access systems or public areas. The internal door brake can also be adjusted to allow the user to dictate the speed of opening preventing damage to the door and system.

**Configurations:**

- Single

**Installations:**

- Side Wall Mount

**Features:**

- Self closing system for a single door from 31½" to 47¼" wide and up to 176 lbs.
- Interior applications only
- Comes complete with a hydraulically controlled soft close feature
- Adjustable closing speed
- Door brake to reduce opening speed to prevent damage to the door and system
- Optional hold open unit giving adjustable time delay before self closing
- Operational between temperature ranges of 50 to 104 degrees Fahrenheit
- 2 year warranty
- Meets ADA push force requirements

**Sirocco Series Kits Include:**

- 1 ea Track 86.61" long
- 1 ea Leading hanger
- 1 ea Trailing hanger
- 1 ea Hydraulic Control Unit
- 1 ea Closing brake rack
- 1 ea Opening brake rack
- 1 ea Power spring mounting bracket
- 7 ea Height adjustment plates
- 1 ea Power spring unit
- 1 ea Guide roller
- 1 ea Opening door stop
- 1 ea Door stop roller
- 1 ea Closing door stop
- 2 ea Wooden door plate (and all required screws and bolts)

Standard Kits	
PART NUMBER	DESCRIPTION
SIRRH	Right Hand Opening Kit
SIRLH	Left Hand Opening Kit

**Options:**

- SIRF/2500** 98" Fascia and End Plates

800-824-3018 | www.pemko.com  
Check the web site for the up-to-date catalog

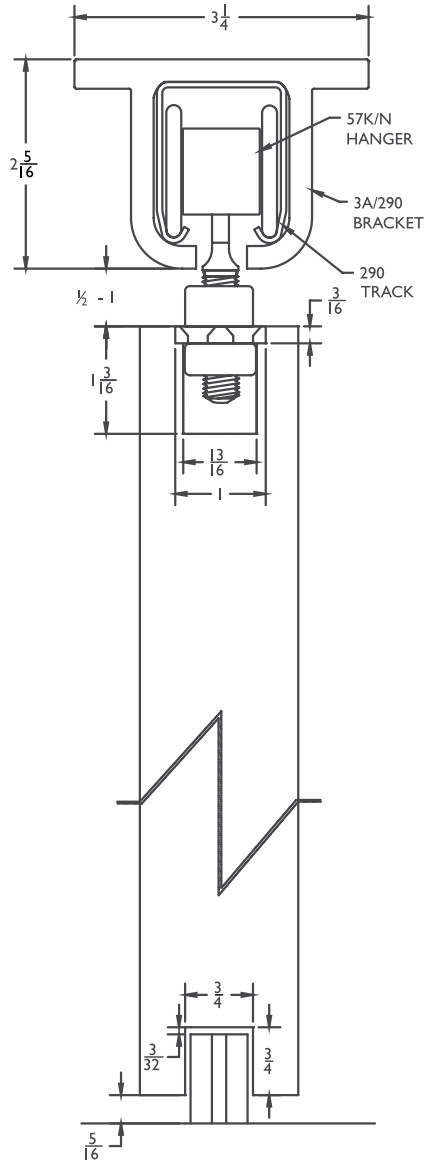
Copyright © 2015-2022, ASSA ABLOY Accessories and Door Controls Group, Inc., an ASSA ABLOY Group company. All rights reserved. Reproduction in whole or in part without the express written permission of ASSA ABLOY Accessories and Door Controls Group, Inc. is prohibited.



Experience a safer and more open world

## H300S-OH SERIES

**For Sliding Panels up to 300 lbs.**  
 Manufactured by P.C. Henderson



### Configurations:

- Single
- Bi-parting

### Installations:

- Overhead Mount

### Features:

- Overhead mount system
- Nylon wheels for smooth operation
- 300 lb. panel capacity
- Galvanized steel track 290
- 2 year warranty

### H300S-OH Kits Include:

- 1 ea **290** Galvanized Steel Track
- **3A/290** Aluminum Alloy Overhead Mount Track Brackets (One at each end and no more than 3 feet in between)
- 2 ea **1A/290/EC** Aluminum Alloy End Caps
- 2 ea **57K/N** White Nylon Body and Wheels, Zinc Coated Steel Pendant Bolt Hangers
- 2 ea **HH3/290** Galvanized Steel In-Track Stop
- 1 ea **89/2N** Gray Nylon Mortise Guide

Standard Kit Sizes			
PART NUMBER	MATERIAL	TRACK LENGTH	DOOR WIDTH
H300S-OH/6	Steel	72"	36"
H300S-OH/8	Steel	96"	48"
H300S-OH/10	Steel	120"	60"
H300S-OH/12	Steel	144"	72"

### Options:

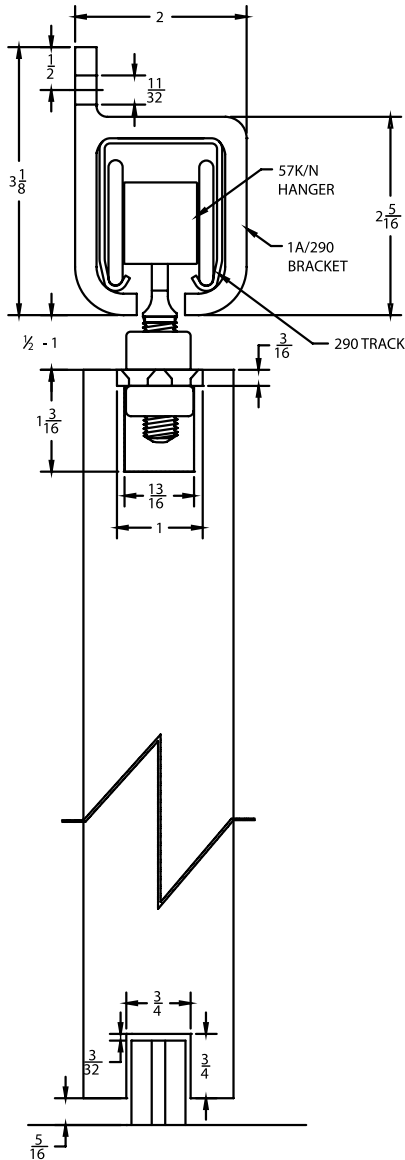
- Bottom Channel **94A**
- Roller Guide **106R/94**
- Threshold **971A**
- Joining Bracket **3AX/290**
- Mortise Guides **102N**
- Stainless Steel Flush Bolt **FB150SS**
- Stainless Steel Flush Pull **503SF**



Experience a safer  
and more open world

# H300S-SW SERIES

**For Sliding Panels up to 300 lbs.**  
Manufactured by P.C. Henderson



## Configurations:

- Single
- Bi-parting

## Installations:

- Side Wall Mount

## Features:

- Side wall mount system
- Nylon wheels for smooth operation
- 300 lb. panel capacity
- Galvanized steel track 290
- 2 year warranty

## H300S-SW Kits Include:

- 1 ea **290** Galvanized Steel Track
- **1A/290** Side Wall Mount Track Brackets (One at each end and no more than three feet in between)
- 2 ea **1A/290/EC** Aluminum Alloy End Caps
- 2 ea **57K/N** White Nylon Body and Wheels, Zinc Coated Steel Pendant Bolt Hangers
- 2 ea **HH3/290** Galvanized Steel In-Track Stops
- 1 ea **89/2N** Gray Nylon Mortise Guide

### Standard Kit Sizes

PART NUMBER	MATERIAL	TRACK LENGTH	DOOR WIDTH
H300S-SW/6	Steel	72"	36"
H300S-SW/8	Steel	96"	48"
H300S-SW/10	Steel	120"	60"
H300S-SW/12	Steel	144"	72"

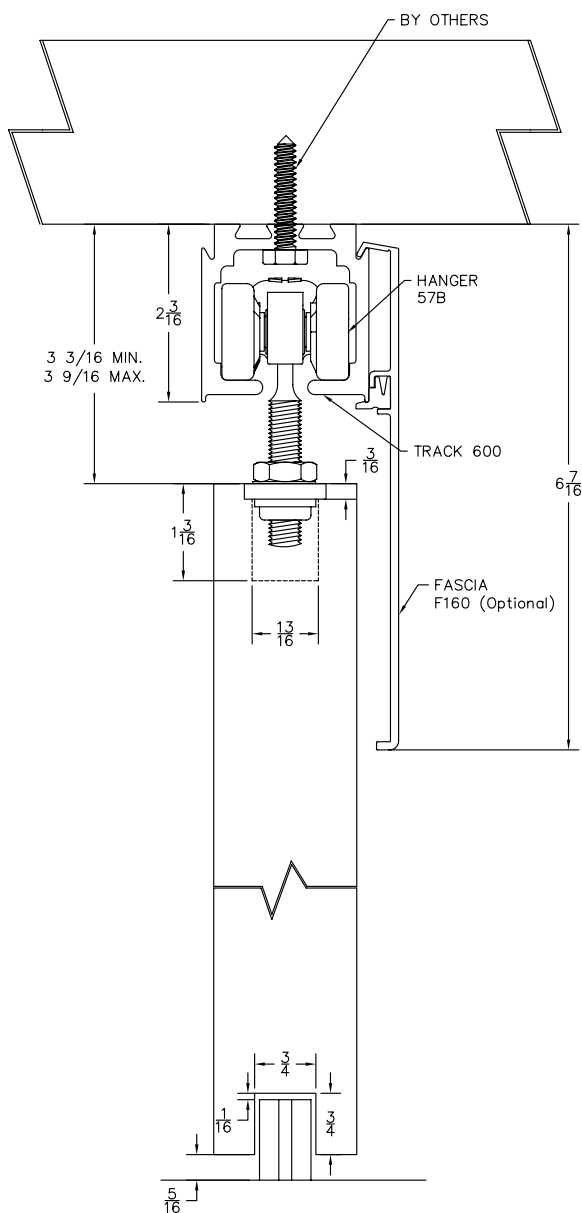
## Options:

- Bottom Channel **94A**
- Roller Guide **106R/94**
- Mortise Guides **102N**
- Side Wall Mortise Guides **102WN** (nylon) and **102WA** (steel)
- Joining Bracket **1AX/290**
- Stainless Steel Flush Bolt **FB150SS**
- Stainless Steel Flush Pull **503SF**

## H440A-OH SERIES

For Sliding Panels up to 440 lbs.

Manufactured by P.C. Henderson



### Configurations:

- Single
- Bi-parting

### Installations:

- Overhead Mount

### Features:

- Overhead mount system
- Nylon body and steel ball bearing nylon wheels for smooth operation
- 440 lb. panel capacity
- Mill finished aluminum track 600A
- 2 year warranty
- Meets ADA push force requirements

### H440A-OH Kits Include:

- 1 ea **600A** Mill Finished Aluminum Track
- 2 ea **57B** Hangers: Gray Nylon Body, Zinc Coated Steel Pendant Bolt, Steel Ball Bearing Nylon Wheels
- 2 ea **601P** Nylon In-Track Clip Stop
- 1 ea **89/2N** Gray Nylon Mortise Guide

### Standard Kit Sizes

PART NUMBER	MATERIAL	TRACK LENGTH	DOOR WIDTH
H440A-OH/6	Aluminum	72"	36"
H440A-OH/8	Aluminum	96"	48"
H440A-OH/10	Aluminum	120"	60"
H440A-OH/12	Aluminum	144"	72"
H440A-OH/16	Aluminum	192"	96"

### Options:

- Fascia **F160C**
- Bottom Channel **94A**
- Roller Guide **106R/94**
- Threshold **971A**
- Mortise Guides **102N**
- End Plate Kit **F160ECP** (used with **F160C** fascia and **600A** track only)
- Stainless Steel Flush Bolt **FB150SS**
- Stainless Steel Flush Pull **503SF**

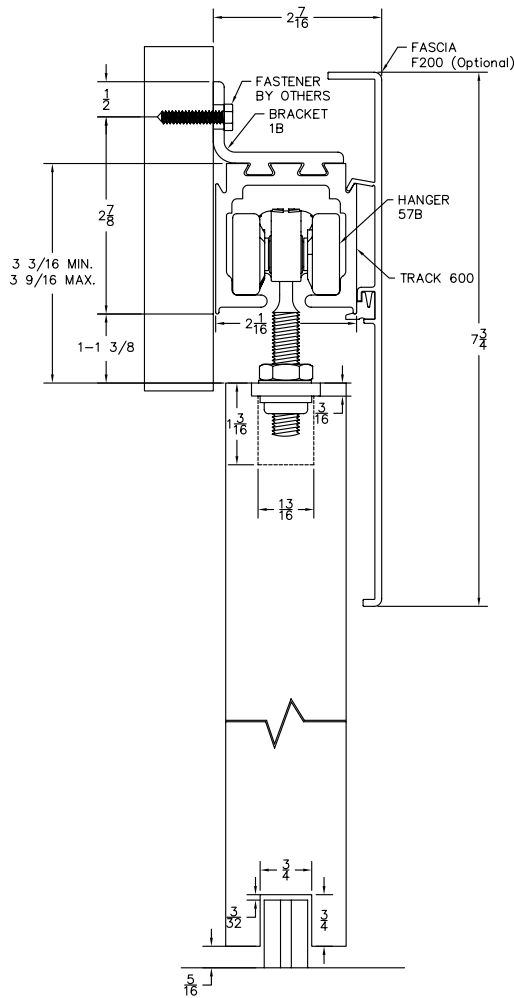
**PEMKO**  
**ASSA ABLOY**

Experience a safer  
and more open world



# H440A-SW Series

For Sliding Panels up to 440 lbs.  
Manufactured by P.C. Henderson



## Configurations:

- Single
- Bi-parting

## Installations:

- Side Wall Mount

## Features:

- Side wall mount system
- Nylon body and steel ball bearing nylon wheels for smooth operation
- 440 lb. panel capacity
- Mill finished aluminum track 600A
- 2 year warranty
- Meets ADA push force requirements

## H440A-SW Kits Include:

- 1 ea **600A** Mill Finished Aluminum Track
- **1B** Side Wall Mount Track Brackets (One at each end and no more than 3 feet in between)
- 2 ea **57B** Hangers: Gray Nylon Body, Zinc Coated Steel Pendant Bolt, Steel Ball Bearing Nylon Wheels
- 2 ea **601P** Nylon In-Track Clip Stop
- 1 ea **89/2N** Gray Nylon Mortise Guide

## Standard Kit Sizes

PART NUMBER	MATERIAL	TRACK LENGTH	DOOR WIDTH
H440A-SW/6	Aluminum	72"	36"
H440A-SW/8	Aluminum	96"	48"
H440A-SW/10	Aluminum	120"	60"
H440A-SW/12	Aluminum	144"	72"
H440A-SW/16	Aluminum	192"	96"

## Options:

- Fascia **F200C**
- Bottom Channel **94A**
- Roller Guide **106R/94**
- Mortise Guides **102N**
- Side Wall Mortise Guides **102WN** (nylon) and **102WA** (steel)
- End Plate Kit **F200ECP** (used with **F200C** fascia and **600A** track only)
- Joining Bracket **1BX**
- Stainless Steel Flush Bolt **FB150SS**
- Stainless Steel Flush Pull **503SF**

800-824-3018 | www.pemko.com

Check the web site for the up-to-date catalog

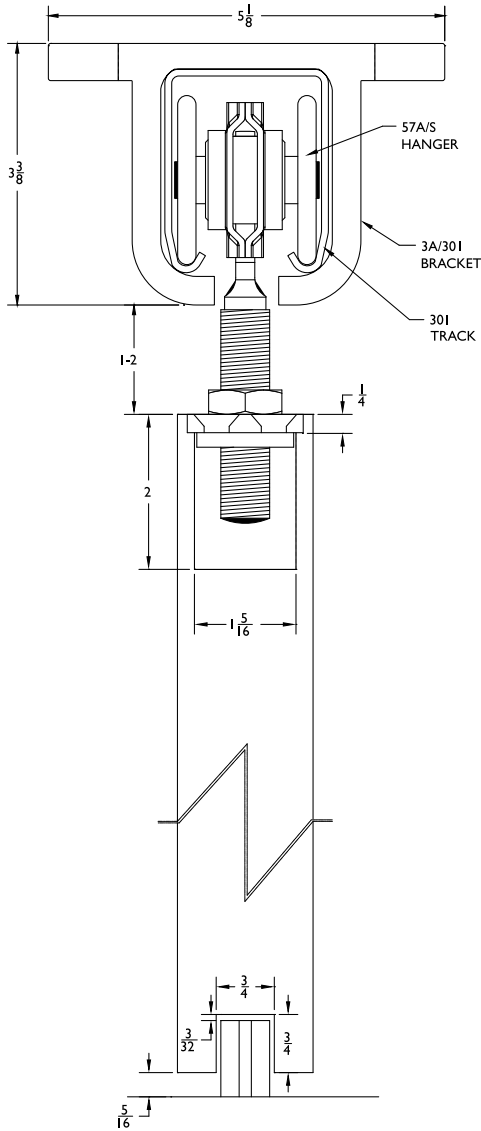
Copyright © 2015-2022, ASSA ABLOY Accessories and Door Controls Group, Inc., an ASSA ABLOY Group company. All rights reserved. Reproduction in whole or in part without the express written permission of ASSA ABLOY Accessories and Door Controls Group, Inc. is prohibited.

**PEMKO**  
**ASSA ABLOY**

Experience a safer  
and more open world

## H600S-OH Series

For Sliding Panels up to 600 lbs.  
Manufactured by P.C. Henderson



89/2N

### Configurations:

- Single
- Bi-parting

### Installations:

- Overhead Mount

### Features:

- Overhead mount system
- Heavy duty zinc coated steel
- Ball bearing wheels
- 600 lb. panel capacity
- Galvanized steel track 301
- 2 year warranty

### H600S-OH Kits Include:

- 1 ea **301** Galvanized Steel Track
- **3A/301** Aluminum Alloy Overhead Mount Track Brackets  
(One at each end and no more than three feet in between)
- 2 ea **1A/301/EC** Aluminum Alloy End Caps
- 2 ea **57A/S** Zinc Coated Steel Body, Wheels, and Pendant Bolt Hangers
- 2 ea **HH3/301** Galvanized Steel In-Track Stops
- 1 ea **89/2N** Gray Nylon Mortise Guide

### Standard Kit Sizes

PART NUMBER	MATERIAL	TRACK LENGTH	DOOR WIDTH
H600S-OH/8	Steel	96"	48"
H600S-OH/10	Steel	120"	60"
H600S-OH/12	Steel	144"	72"

### Options:

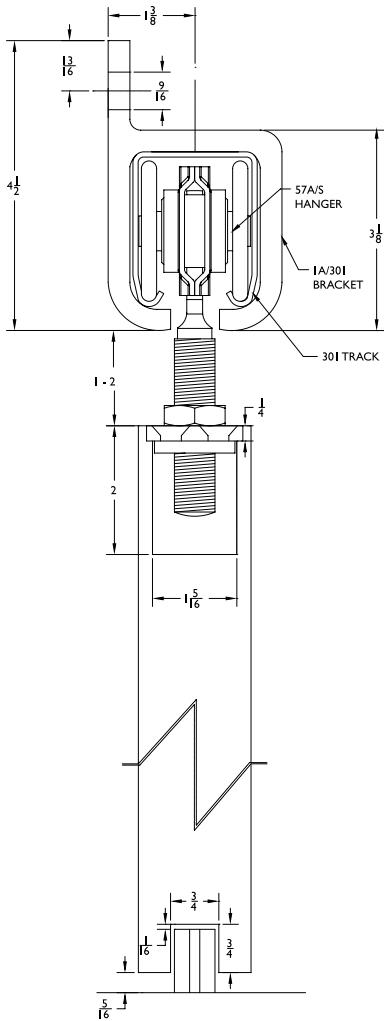
- Bottom Channel **94A**
- Roller Guide **106R/94**
- Mortise Guides **102N**
- Threshold **971A**
- Joining Bracket **3AX/301**
- Stainless Steel Flush Bolt **FB150SS**
- Stainless Steel Flush Pull **503SF**

**PEMKO**  
**ASSA ABLOY**

Experience a safer  
and more open world

# H600S-SW SERIES

**For Sliding Panels up to 600 lbs.**  
Manufactured by P.C. Henderson



89/2N

### Configurations:

- Single
- Bi-parting

### Installations:

- Side Wall Mount

### Features:

- Side wall mount system
- Heavy duty zinc coated steel
- Ball bearing wheels
- 600 lb. panel capacity
- Galvanized steel track 301
- 2 year warranty

### H600S-SW Kits Include:

- 1 ea **301** Galvanized Steel Track
- **1A/301** Side Wall Mount Track Brackets (One at each end and no more than three feet in between)
- 2 ea **1A/301/EC** Aluminum Alloy End Caps
- 2 ea **57A/S** Zinc Coated Steel Body, Wheels, and Pendant Bolt Hangers
- 2 ea **HH3/301** Galvanized Steel In-Track Stops
- 1 ea **89/2N** Gray Nylon Mortise Guide

### Standard Kit Sizes

PART NUMBER	MATERIAL	TRACK LENGTH	DOOR WIDTH
H600S-SW/8	Steel	96"	48"
H600S-SW/12	Steel	144"	72"

### Options:

- Bottom Channel **94A**
- Roller Guide **106R/94**
- Mortise Guides **102N**
- Side Wall Mortise Guides **102WN**
- Joining Bracket **1AX/301**
- Stainless Steel Flush Bolt **FB150SS**
- Stainless Steel Flush Pull **503SF**

800-824-3018 | www.pemko.com  
Check the web site for the up-to-date catalog

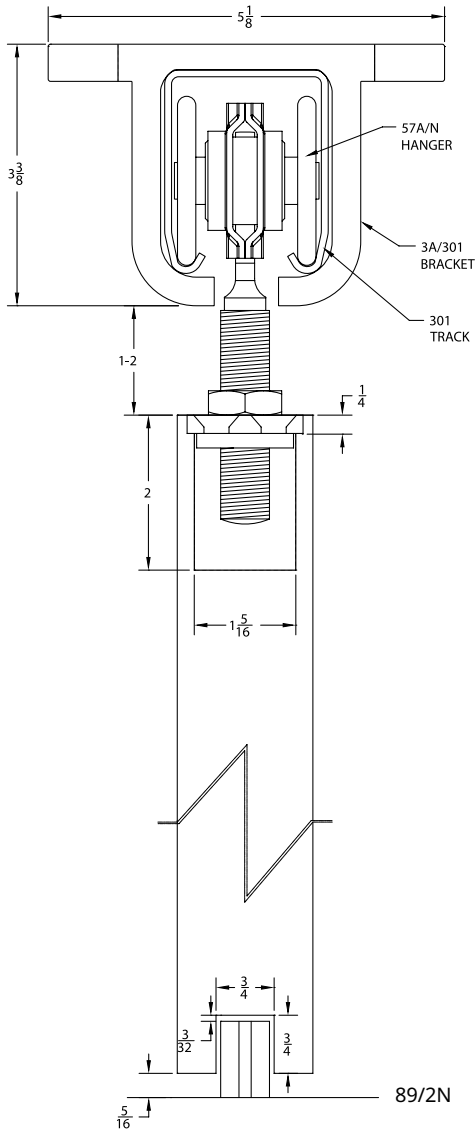
Copyright © 2015-2022, ASSA ABLOY Accessories and Door Controls Group, Inc., an ASSA ABLOY Group company. All rights reserved.  
Reproduction in whole or in part without the express written permission of ASSA ABLOY Accessories and Door Controls Group, Inc. is prohibited.

**PEMKO**  
**ASSA ABLOY**

Experience a safer  
and more open world

## H800S-OH SERIES

For Sliding Panels up to 800 lbs.  
Manufactured by P.C. Henderson



### Configurations:

- Single
- Bi-parting

### Installations:

- Overhead Mount

### Features:

- Overhead mount system
- Heavy duty zinc coated steel body
- Ball bearing nylon wheels for smooth operation
- 800 lb. panel capacity
- Galvanized steel track 301
- 2 year warranty

### H800S-OH Kits Include:

- 1 ea **301** Galvanized Steel Track
- **3A/301** Overhead Mount Track Brackets (One at each end and no more than three feet in between)
- 2 ea **1A/301/EC** Aluminum Alloy End Caps
- 2 ea **57A/N** Zinc Coated Steel Body, Nylon Wheels, and Pendant Bolt Hangers
- 2 ea **HH3/301** Galvanized Steel In-Track Stop
- 1 ea **89/2N** Gray Nylon Mortise Guide

### Standard Kit Sizes

PART NUMBER	MATERIAL	TRACK LENGTH	DOOR WIDTH
H800S-OH/8	Steel	96"	48"
H800S-OH/10	Steel	120"	60"

### Options:

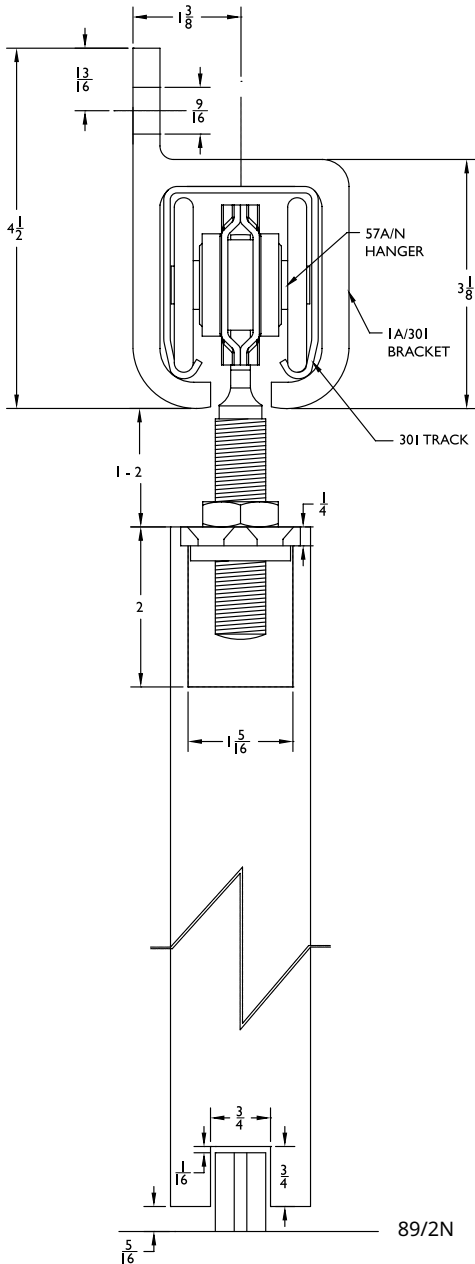
- Bottom Channel **94A**
- Roller Guide **106R/94**
- Mortise Guides **102N**
- Threshold **971A**
- Joining Bracket **3AX/301**
- Stainless Steel Flush Bolt **FB150SS**
- Stainless Steel Flush Pull **503SF**



Experience a safer  
and more open world

# H800S-SW SERIES

**For Sliding Panels up to 800 lbs.**  
Manufactured by P.C. Henderson



### Configurations:

- Single
- Bi-parting

### Installations:

- Side Wall Mount

### Features:

- Side wall mount system
- Heavy duty zinc coated steel body
- Heavy ball bearing nylon wheels for smooth operation
- 800 lb. panel capacity
- Galvanized steel track 301
- 2 year warranty

### H800S-SW Kits Include:

- 1 ea **301** Galvanized Steel Track
- **1A/301** Aluminum Alloy Side Wall Mount Track Brackets (One at each end and no more than three feet in between)
- 2 ea **1A/301/EC** Aluminum Alloy End Caps
- 2 ea **57A/N** Zinc Coated Steel Body, Nylon Wheels, and Pendant Bolt Hangers
- 2 ea **HH3/301** Galvanized Steel In-Track Stops
- 1 ea **89/2N** Gray Nylon Mortise Guide

Standard Kit Sizes			
PART NUMBER	MATERIAL	TRACK LENGTH	DOOR WIDTH
H800S-SW/6	Steel	72"	36"
H800S-SW/10	Steel	120"	60"
H800S-SW/12	Steel	144"	72"

### Options:

- Bottom Channel **94A**
- Roller Guide **106R/94**
- Mortise Guides **102N**
- Side Wall Mortise Guides **102WN** (nylon) and **102WA** (steel)
- Joining Bracket **1AX/301**
- Stainless Steel Flush Bolt **FB150SS**
- Stainless Steel Flush Pull **503SF**

800-824-3018 | www.pemko.com  
Check the web site for the up-to-date catalog

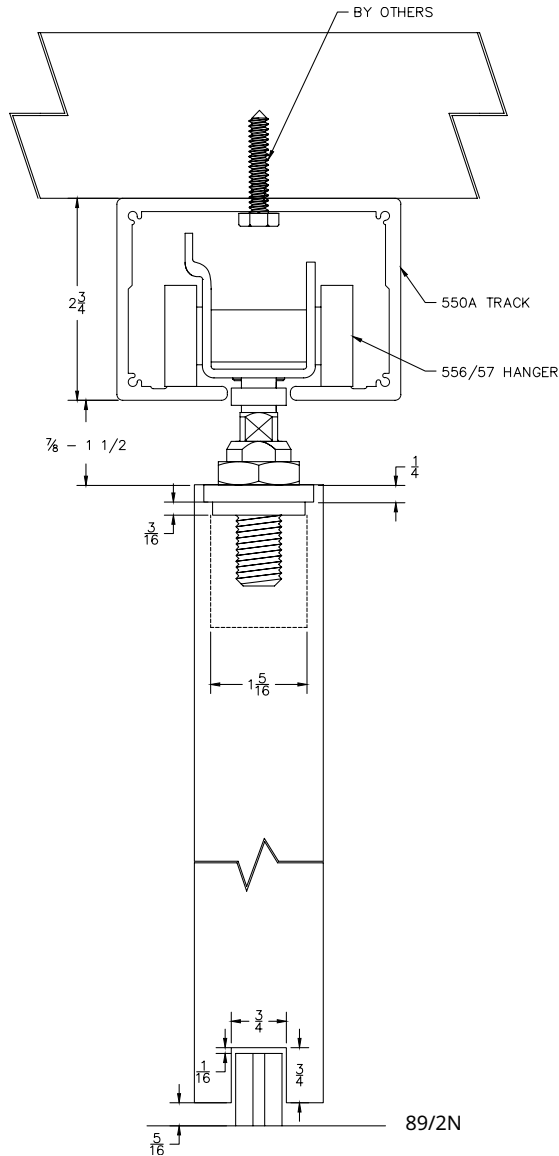
Copyright © 2015-2022, ASSA ABLOY Accessories and Door Controls Group, Inc., an ASSA ABLOY Group company. All rights reserved.  
Reproduction in whole or in part without the express written permission of ASSA ABLOY Accessories and Door Controls Group, Inc. is prohibited.

**PEMCO**  
**ASSA ABLOY**

Experience a safer  
and more open world

## H1100A-OH SERIES

**For Sliding Panels up to 1100 lbs.**  
 Manufactured by P.C. Henderson



**Ideally suited for large doors that require high performance and an attractive finish.**

Typical applications are hotels, conference centers, shop-fronts and showrooms.

**Configurations:**

- Single
- Bi-parting

**Installations:**

- Overhead Mount

**Features:**

- For top hung wood and metal doors
- Heavy duty black painted steel body
- Ball bearing steel wheels
- 1100 lb. panel capacity
- Mill finished aluminum track 550A
- 2 year warranty

### H1100A-OH Kits Include:

- 1 ea **550A** Mill Finished Aluminum Track
- 2 ea **556/57** Painted Black Steel Body - Zinc Coated Steel Wheels and Pendant Bolt Hangers
- 2 ea **HH3/301** Galvanized Steel In-Track Stops
- 1 ea **89/2N** Gray Nylon Mortise Guide

Standard Kit Sizes			
PART NUMBER	MATERIAL	TRACK LENGTH	DOOR WIDTH
H1100A-OH/6	Aluminum	72"	36"
H1100A-OH/8	Aluminum	96"	48"
H1100A-OH/10	Aluminum	120"	60"
H1100A-OH/12	Aluminum	144"	72"
H1100A-OH/16	Aluminum	197"	98"

**Options:**

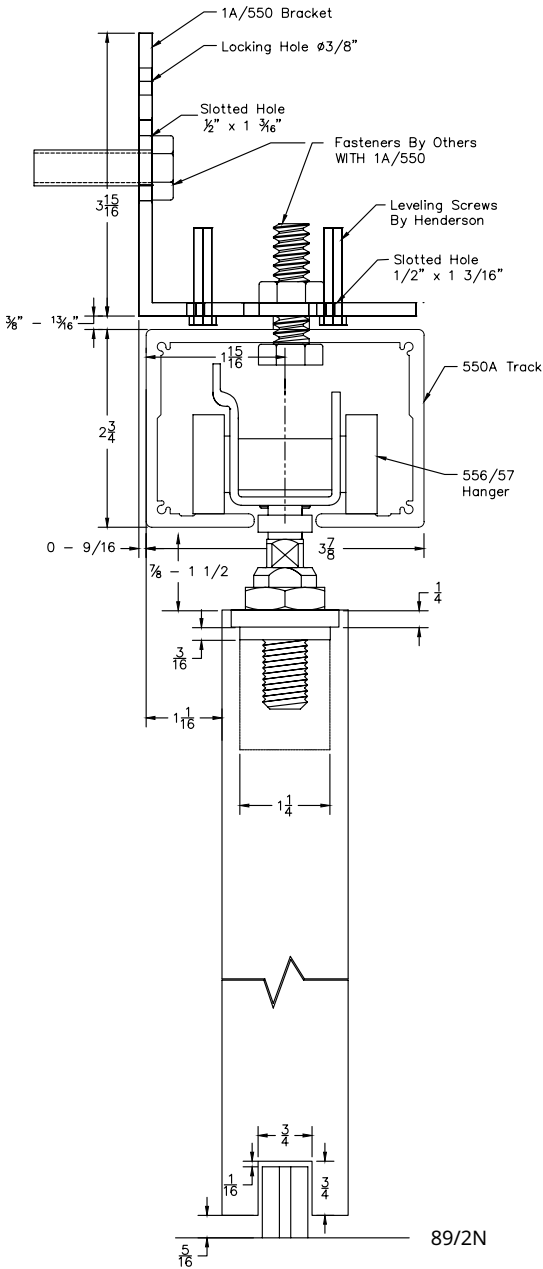
- Bottom Channel **94A**
- Roller Guide **106R/94**
- Threshold **971A**
- Stainless Steel Flush Bolt **FB150SS**
- Stainless Steel Flush Pull **503SF**



Experience a safer and more open world

# H1100A-SW SERIES

**For Sliding Panels up to 1100 lbs.**  
 Manufactured by P.C. Henderson



**Ideally suited for large doors that require high performance and an attractive finish.**

Typical applications are hotels, conference centers, shop-fronts and showrooms.

**Configurations:**

- Single
- Bi-parting

**Installations:**

- Side Wall Mount

**Features:**

- Heavy duty black painted steel body ball bearing wheels
- 1100 lb. panel capacity
- Mill finished aluminum track 550A
- 2 year warranty

**H1100A-SW Kits Include:**

- 1 ea **550A** Mill Finished Aluminum Track
- **1A/550** Aluminum Alloy Side Wall Track Bracket  
 Fastners not included with 1A/550. (One at each end and no more than three feet in between)
- 2 ea **556/57** Painted Black Steel Body - Zinc Coated Steel Wheels and Pendant Bolt Hangers
- 2 ea **HH3/301** Galvanized Steel In-Track Stops
- 1 ea **89/2N** Gray Nylon Mortise Guide

Standard Kit Sizes			
PART NUMBER	MATERIAL	TRACK LENGTH	DOOR WIDTH
H1100A-SW/6	Aluminum	72"	36"
H1100A-SW/8	Aluminum	96"	48"
H1100A-SW/10	Aluminum	120"	60"
H1100A-SW/12	Aluminum	144"	72"
H1100A-SW/16	Aluminum	197"	98"

**Options:**

- Bottom Channel **94A**
- Roller Guide **106R/94**
- Stainless Steel Flush Bolt **FB150SS**
- Stainless Steel Flush Pull **503SF**

800-824-3018 | www.pemko.com  
 Check the web site for the up-to-date catalog

Copyright © 2015-2022, ASSA ABLOY Accessories and Door Controls Group, Inc., an ASSA ABLOY Group company. All rights reserved.  
 Reproduction in whole or in part without the express written permission of ASSA ABLOY Accessories and Door Controls Group, Inc. is prohibited.

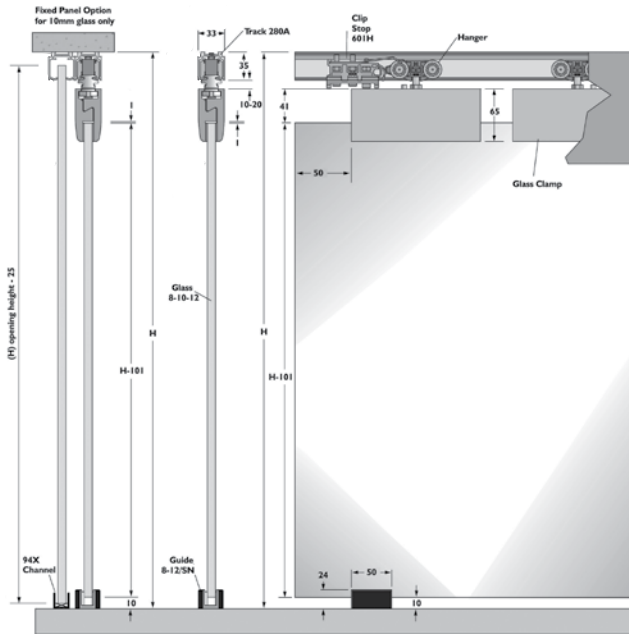


Experience a safer and more open world

# HUSKY SLIDING GLASS SERIES

**For Sliding Panels up to 165 lbs.**

Manufactured by P.C. Henderson



For lightweight glass applications such as office doors and small glass partitions.

- 2 year warranty

**Capacity:**

Max. door weight 165 lbs. (75kg)

Max. door height 7' 10" (2400mm)

Max. door width 4' 1" (1250mm)

Glass thickness 5/16" (8mm) & 3/8" (10mm)

**Door Types:**

Glass panels of 5/16" (8mm) or 3/8" (10mm) thickness in tempered or laminated glass.

Meets ADA push force requirements

**8/HY/75 and 10/HY/75 HUSKY Glass Clamp Kit:**

8/HY/75 is for 8mm or 5/16" thick glass

10/HY/75 kit is for 10mm or 3/8" thick glass

2 ea **284D** Hangers

2 ea GLASS Clamps

2 ea **601H** End stops

1 ea **8-12/SN** adjustable guide for 5/16" or 3/8" glass guide

Standard Track Sizes		
PART NUMBER	MATERIAL	STANDARD TRACK SIZES (Track Ordered Separately)
280C72	Aluminum	72"
280C96	Aluminum	96"

**Options:**

Face mount bracket: **PC2815** available as 5 pack only, **PC2815** pack of 5 281 zinc plated side wall bracket. NOTE: Need one at each end and no more than 2 feet in-between. Fasteners included.

Guides: **8-12/SN** adjustable guide for 5/16" or 3/8" glass guide

Accessories: **601H** retaining stop mounted within the track

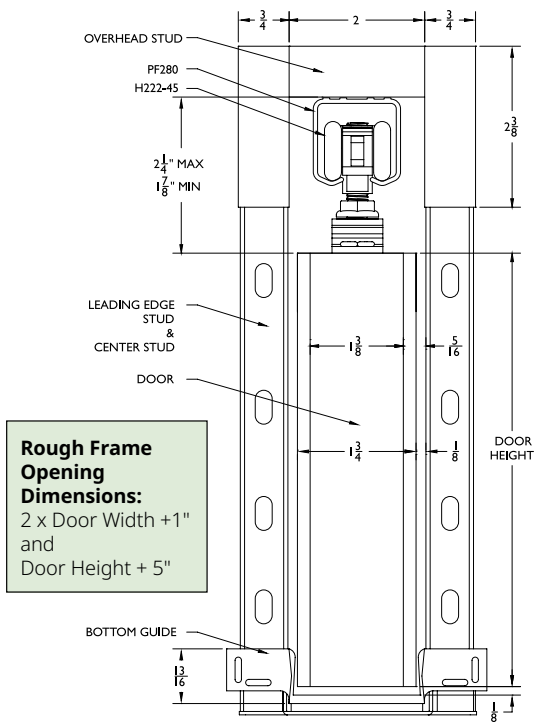


Experience a safer and more open world



# POCKET FRAME KIT

For Sliding Panels up to 200 lbs.



NOTE: 3/4" plywood can be installed to the studs in the pocket to add strength and rigidity to pocket door walls.

## Features:

- Heavy duty hardware supports doors up to 200 lbs. each
- Standard kit is for 1<sup>3</sup>/<sub>8</sub>" door. For 1<sup>3</sup>/<sub>4</sub>" door, MUST use PF134KIT (see Options below)
- Chrome plated steel hangers are corrosion resistant and no maintenance is required
- 5 year warranty
- Meets ADA push force requirements

## Pocket Frame Kit Includes:

- 1 ea Header Track Assembly
- 4 ea **PFAS\_** Aluminum Cased Wood Studs
- 2 ea **PFHB-1** and **PFHB-2** Pre-Mounted Header Brackets
- 2 ea **H222R1** Hangers
- 2 ea **PFFC-8** Floor Cleats
- 1 ea **PFBS** Pocket Frame Bumper Stop
- 1 ea **PFBG-8** Pocket Frame Bottom Guide for 1<sup>3</sup>/<sub>8</sub>" Thick Doors Mounting Hardware

## Standard Kit Sizes

2x4 Wood or Metal Stud Constructed Walls	2x6 Wood Stud Constructed Walls	2x6 Metal Stud Constructed Walls	Net Door Size (The Kits can be trimmed in field)
PF28200A6080	PF28200A6080-2x6	PF28200A6080-SP6	2'6" x 6'8"
PF28200A7280	PF28200A7280-2x6	PF28200A7280-SP6	3'0" x 6'8"
PF28200A9680	PF28200A9680-2x6	PF28200A9680-SP6	4'0" x 6'8"
PF28200A6084	PF28200A6084-2x6	PF28200A6084-SP6	2'6" x 7'0"
PF28200A7284	PF28200A7284-2x6	PF28200A7284-SP6	3'0" x 7'0"
PF28200A9684	PF28200A9684-2x6	PF28200A9684-SP6	4'0" x 7'0"
PF28200A6096	PF28200A6096-2x6	PF28200A6096-SP6	2'6" x 8'0"
PF28200A7296	PF28200A7296-2x6	PF28200A7296-SP6	3'0" x 8'0"
PF28200A9696	PF28200A9696-2x6	PF28200A9696-SP6	4'0" x 8'0"

## Options:

- PF134 KIT** - Recommended for use with 1 3/4" thick doors in 2x4 constructed wall kits (3 1/2" stud)  
Soft Close available. See pages 275-277 for more information.
- PFAS84** - For doors over 3' wide an extra pair of 84" center studs with floor cleat for 80" tall doors recommended
- PFAS88** - For doors over 3' wide an extra pair of 88" center studs with floor cleat for 84" tall doors recommended
- PFAS100** - For doors over 3' wide an extra pair of 100" center studs with floor cleat for 96" tall doors recommended
- PFCDKIT** - Conversion Kit to achieve a bipart double door frame
- PFKIT-4** - Replacement Hardware Kit for Pemko Pocket Frame Kit for 1 3/4" thick doors (Each contains 2-H222-45 Hangers, 1-PFBS Bumper Stop, 1- PFBG-4 Guide, 2 PFHS Header Shims, 2-PFFC-4 Floor Cleats)
- PFKIT-8** - Replacement Hardware Kit for Pemko Pocket Frame Kit for 1 3/8" thick doors (Each contains 2-H222-45 Hangers, 1-PFBS Bumper Stop, 1- PFBG-8 Guide, 2-PFFC-8 Floor Cleats)  
Soft Close available. See pages 275-277 for more information.

**PEMKO**  
**ASSA ABLOY**

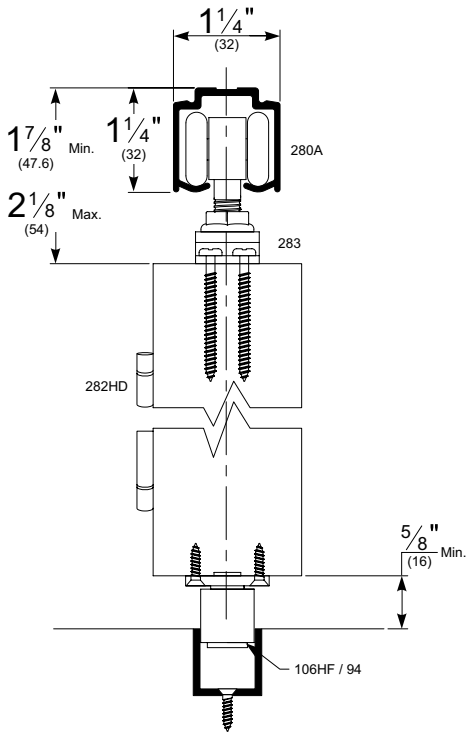
Experience a safer  
and more open world

# FOLDING 100 SERIES

**For Folding Doors up to 100 lbs.  
For Doors up to 24" Wide x 96" Tall**

Manufactured by P.C. Henderson

## 280C Overhead Mounted



### Features:

- For medium weight folding doors
- Two and four leaf kits are available
- 2 year warranty

### Two Panel:

#### HF2/100A Kits Include:

- 1 ea **280C** Clear Anodized Track
- 1 ea **283** Hanger
- 1 ea **289T** Top Pivot
- 1 ea **289B** Bottom Pivot
- 3 ea **282HD26** Hinges
- 1 ea **106HF/94** Roller Guide
- 1 ea **94A** Aluminum Guide Channel
- 1 ea Adjusting Wrench and Mounting Hardware

### Four Panel:

#### HF4/100A Kits Include:

- 1 ea **280C** Clear Anodized Track
- 2 ea **283** Hangers
- 2 ea **289T** Top Pivots
- 2 ea **289B** Bottom Pivots
- 6 ea **282HD26** Hinges
- 2 ea **106HF/94** Roller Guide
- 1 ea **94A** Aluminum Guide Channel
- 1 ea Adjusting Wrench and Mounting Hardware

### Standard Kit Sizes

PART NUMBER	MATERIAL	# OF PANELS	TRACK LENGTH
HF2/100A/2	Aluminum	2	24"
HF2/100A/2'6	Aluminum	2	30"
HF2/100A/3	Aluminum	2	36"
HF2/100A/4	Aluminum	2	48"
HF4/100A/4	Aluminum	4	48"
HF4/100A/5	Aluminum	4	60"
HF4/100A/6	Aluminum	4	72"
HF4/100A/8	Aluminum	4	96"

### Options:

- Mounting Bracket **PC2815** available as 5 pack only, **PC2815** pack of 5 281 zinc plated side wall bracket.  
NOTE: Need one at each end and no more than 2 feet in-between. Fasteners included.
- Threshold **971A**
- Track **280D** dark bronze anodized aluminum

NOTE: Allow 1/4" clearance at pivot jambs and 1/8" in between hinged doors if hinges are mortised. Allow 3/16" between hinged doors if hinges are surface mounted. Allow 1/8" between doors meeting in the center of the opening on HF4 kits and allow 1/8" between wall and end panel on HF2 kits.



Experience a safer and more open world

# PACER INTERIOR END FOLD SERIES

For Folding Doors and Room Dividers up to 165 lbs.

For Doors up to 36" Wide x 106" Tall

Manufactured by P.C. Henderson



## Features:

- For top-hung, medium weight, interior, partition doors
- Ideal in both residential and commercial applications requiring end folding doors
- 2 year warranty

## Two Panel: plan 1

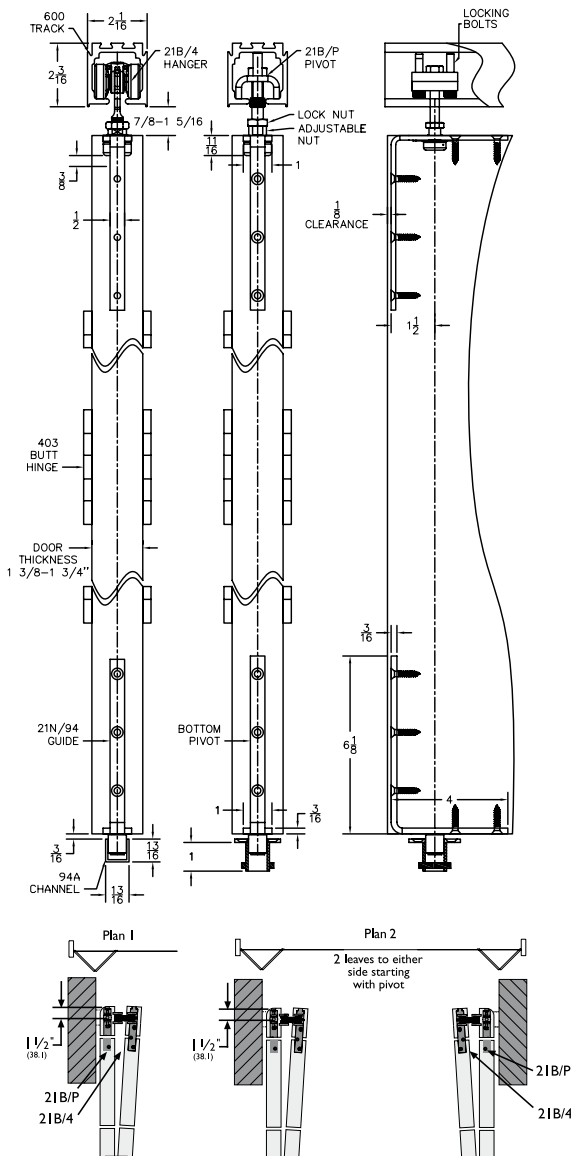
### PIF2/165A Kits Include:

- 1 ea **600A** Mill Finished Aluminum Track
- 1 ea **21B/P** Top and Bottom Pivot Assembly
- 1 ea **21B/4** Nylon Body and Wheels, Zinc Coated Steel Pendant Bolt and Door Bracket Hanger
- 1 ea **21N/94** Nylon Roller Guide on Zinc Coated Steel Door Bracket Bottom Guide
- 4 ea **403/2** Aluminum Alloy Butt Hinges
- 1 ea **94A** Aluminum Guide Channel

## Four Panel: plan 2

### PIF4/165A Kits Include:

- 1 ea **600A** Mill Finished Aluminum Track
- 2 ea **21B/P** Top and Bottom Pivot Assembly
- 2 ea **21B/4** Nylon Body and Wheels, Zinc coated steel Pendant Bolt and Door Bracket Hanger
- 2 ea **21N/94** Nylon Roller Guide on Zinc Coated Steel Door Bracket Bottom Guide
- 8 ea **403/2** Aluminum Alloy Butt Hinges
- 1 ea **94A** Aluminum Guide Channel



### Standard Kit Sizes

PART NUMBER	MATERIAL	# OF PANELS	TRACK LENGTH
PIF2/165A/6	Aluminum	2	72"
PIF4/165A/6	Aluminum	4	72"
PIF4/165A/8	Aluminum	4	96"
PIF4/165A/12	Aluminum	4	2 @ 72"

## Options:

- Threshold **971A**
- Stainless Steel Flush Bolt **FB150SS**
- Stainless Steel Flush Pull **503SF**

NOTE: Allow 3/8" clearance at pivot jambs and 1/8" in between hinged doors if hinges are mortised. Allow 7/16" between hinged doors if hinges are surface mounted. Allow 1/8" between doors meeting in the center of the opening on PIF4 kits and allow 1/8" between wall and end panel on PIF2 kits.

800-824-3018 | www.pemko.com

Check the web site for the up-to-date catalog

Copyright © 2015-2022, ASSA ABLOY Accessories and Door Controls Group, Inc., an ASSA ABLOY Group company. All rights reserved. Reproduction in whole or in part without the express written permission of ASSA ABLOY Accessories and Door Controls Group, Inc. is prohibited.

**PEMKO**  
**ASSA ABLOY**

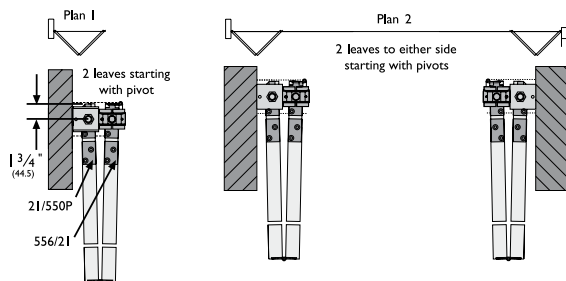
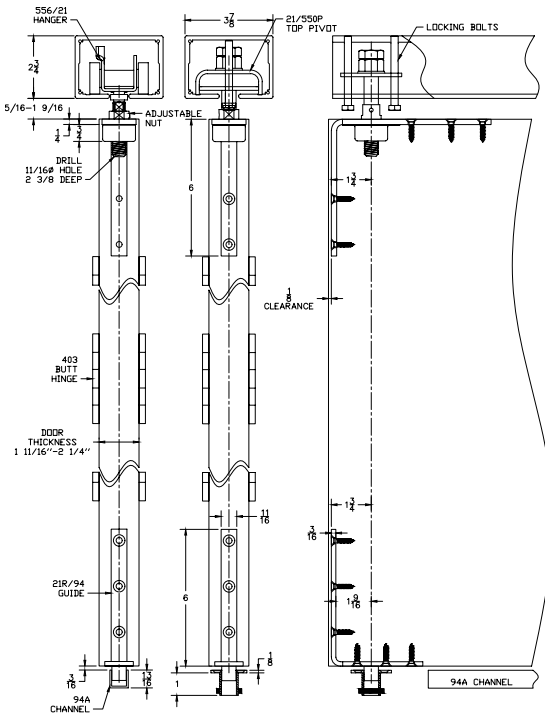
Experience a safer  
and more open world

# FLEXIROL INTERIOR END FOLD SERIES

For Folding Doors and Room Dividers up to 275 lbs.

For Doors up to 48" Wide x 177" Tall

Manufactured by P.C. Henderson



### Features:

- For top-hung, heavy weight, interior, partition doors.
- Specifically designed for commercial applications requiring end folding doors
- 2 year warranty.

### Two Panel: plan 1

#### FIF2/275A Kits Include:

- 1 ea **550A** Mill Finished Aluminum Track
- 1 ea **21/550/P** Top and Bottom Pivot Assembly
- 1 ea **556/21** Zinc Coated Steel Wheels, Pendant Bolt, Body, and Door Bracket
- 1 ea **21R/94** Bottom Guide
- 4 ea **403/2** Aluminum Alloy Butt Hinges
- 1 ea **94A** Aluminum Guide Channel

### Four Panel: plan 2

#### FIF4/275A Kits Include:

- 1 ea **550A** Mill Finished Aluminum Track
- 2 ea **21/550/P** Top and Bottom Pivot Assembly
- 2 ea **556/21** Zinc Coated Steel Wheels, Pendant Bolt, Body, and Door Bracket
- 2 ea **21R/94** Bottom Guide
- 8 ea **403/2** Aluminum Alloy Butt Hinges
- 1 ea **94A** Aluminum Guide Channel

Standard Kit Sizes			
Part Number	Material	# of Panels	Track Length
FIF2/275A/8	Aluminum	2	96"
FIF4/275A/8	Aluminum	4	96"
FIF4/275A/12	Aluminum	4	2 @ 72"
FIF4/275A/16	Aluminum	4	2 @ 96"

### Options:

- Threshold **971A**
- Stainless Steel Flush Bolt **FB150SS**
- Stainless Steel Flush Pull **503SF**

NOTE: Allow  $\frac{3}{8}$ " clearance at pivot jambs and  $\frac{1}{8}$ " in between hinged doors if hinges are mortised. Allow  $\frac{7}{16}$ " between hinged doors if hinges are surface mounted. Allow  $\frac{1}{8}$ " between doors meeting in the center of the opening on FIF4 kits and allow  $\frac{1}{8}$ " between wall and end panel on FIF2 kits.



Experience a safer and more open world

800-824-3018 | www.pemko.com  
Check the web site for the up-to-date catalog

Copyright © 2015-2022, ASSA ABLOY Accessories and Door Controls Group, Inc., an ASSA ABLOY Group company. All rights reserved. Reproduction in whole or in part without the express written permission of ASSA ABLOY Accessories and Door Controls Group, Inc. is prohibited.

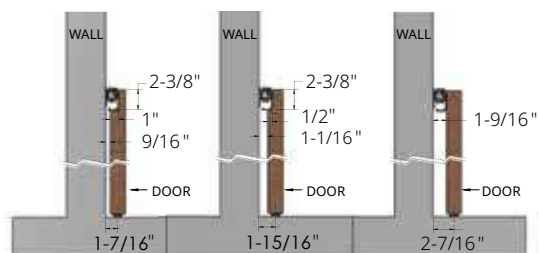
# HIDDEN SLIDING DOOR SYSTEM

## Hide Slide™ Series for Wood Doors

For Sliding Panels up to 176 lbs.

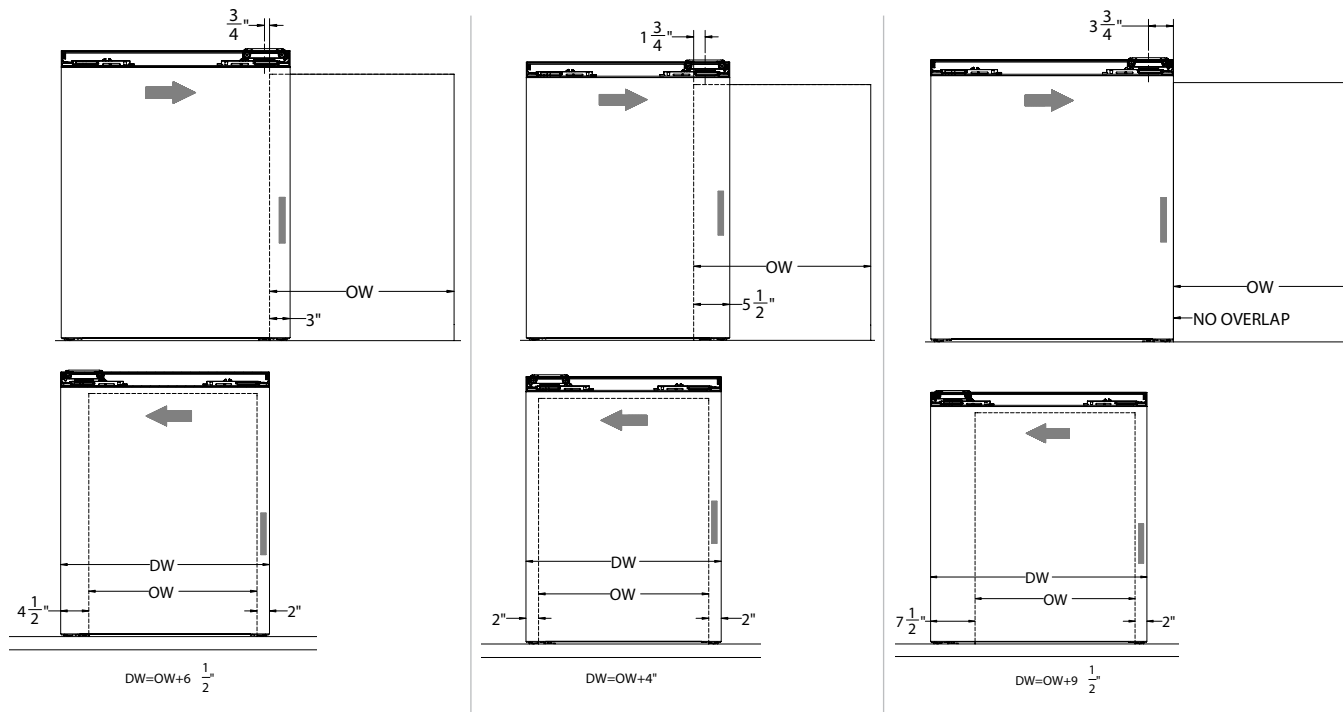


### Wall to Door Clearances



Note: Depth of top route determines clearance between wall and door.

### Overlap Configurations



Notes: Door width determined by overlap configurations.  
Minimum top of door overlap is 2-1/2", undercut 3/8"

### Configurations:

- Single
- Bi-parting

### Installations:

- Side Wall Mount (only)

### Features:

- Soft open and close
- Nylon wheels with steel ball bearings for smooth operation
- 176 lb. panel capacity
- 5 year warranty
- Meets ADA push force requirements
- Patent-pending

### Hide Slide Kits Include:

1 ea	Aluminum Track	1 ea	Top Hanger
2 ea	Soft Close Devices	2 ea	End Caps
2 ea	Back up Stops	2 ea	Top Wall Guides
2 ea	Bottom Wheels	1 ea	Bottom Guide Channel Insert
1 ea	Bottom Guide		

STANDARD KIT SIZE		
Part Number	Track Length	Door Width
Hide Slide	70 <sup>7</sup> / <sub>8</sub> "	31" - 71"

### Options:

Flush Pull

Mill Aluminum Bottom Track

Sliding Door Lock

**503SF** (For Rockwood options, [click here](#))

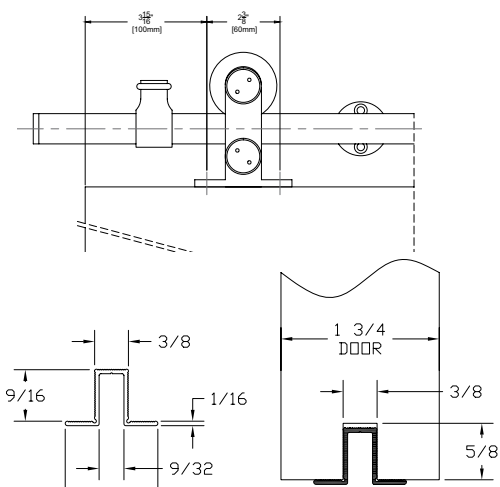
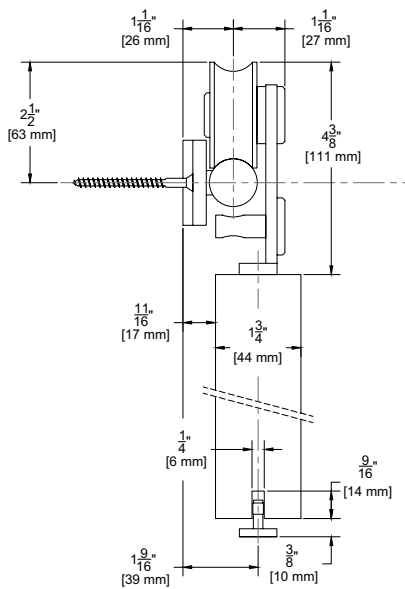
**18/1A** for use when door is over carpet or any flooring that is not smooth and hard. Order 2" wide by length as required both edges beveled

**SDL**

# STAINLESS STEEL SLIDING TRACK HARDWARE SYSTEM

## W60 SERIES FOR WOOD DOORS

For Sliding Panels up to 176 lbs.



NOTE: Alternate route dimension when using optional EPD3BL



Experience a safer and more open world

### Configurations:

- Single
- Bi-parting

### Features:

- Made of 304 stainless steel
- Nylon coated stainless steel wheel for smooth operation
- 176 lb. panel capacity
- 5 year warranty
- Meets ADA push force requirements

### Finishes:

- Brushed Stainless Steel (W60)
- Black Powder Coated Stainless Steel (W60D)
- Polished Stainless Steel (W60P)

### Installations:

- Side Wall Mount (only)

### W60 Kits Include:

- 1 ea **BAR/** Stainless Steel Track
- **BRACKET2** Stainless Steel Wall Brackets
- 2 ea **62** Stainless Steel Hangers
- 1 ea **102SS-KIT** Stainless Steel Guide
- 2 ea **STOP2** Stainless Steel Stops Mounting Hardware

NOTE: If ordering individual parts in the optional Black Powder Coat, Polished finishes be sure to include a prefix "D" for Black Powder Coat, "P" for Polished Stainless

Standard Kit Sizes			
PART NUMBER	MATERIAL	TRACK LENGTH	DOOR WIDTH
W60/6	304 Stainless Steel	78 <sup>3</sup> / <sub>4</sub> "	36"
W60/8	304 Stainless Steel	98 <sup>7</sup> / <sub>16</sub> "	48"
W60D/6	Black Powder Coated Stainless Steel	78 <sup>3</sup> / <sub>4</sub> "	36"
W60D/8	Black Powder Coated Stainless Steel	98 <sup>7</sup> / <sub>16</sub> "	48"
W60P/6	304 Polished Stainless Steel	78 <sup>3</sup> / <sub>4</sub> "	36"
W60P/8	304 Polished Stainless Steel	98 <sup>7</sup> / <sub>16</sub> "	48"

Custom lengths are available. Please contact the factory to order.

### Options:

- Hardware Pack (One Door)
- Mortise Guides
- Polypropylene Guide Rail
- 5/8" Spacer
- 1/2" Spacer

### W60\_H/PACK

#### 102N

**EPD3BL** For Use With 102N

**BLD-SPACER-58** Pack of 5 5/8" Spacer Recommended for use with 5/8" Gypsum Board When Mounting Track Directly to Gypsum Board

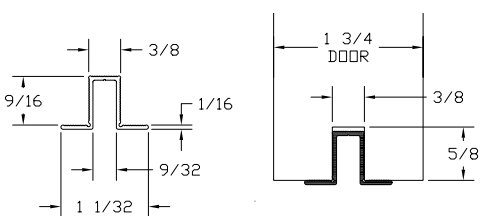
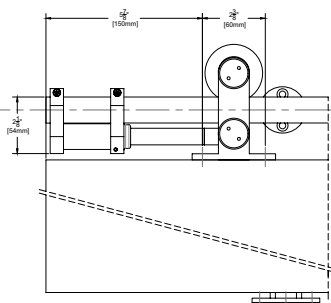
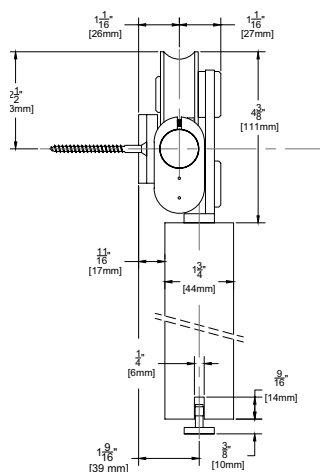
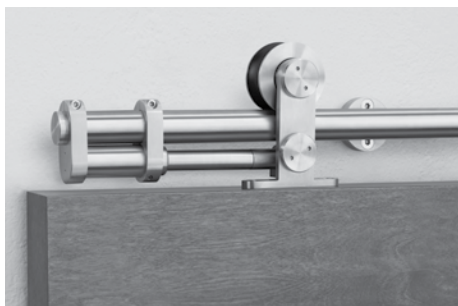
**BLD-SPACER-12** Pack of 5 1/2" Spacer Recommended for use with 1/2" Gypsum Board When Mounting Track Directly to Gypsum Board



# STAINLESS STEEL SLIDING TRACK HARDWARE SYSTEM WITH CUSHION STOP

## CS-W60 SERIES FOR WOOD DOORS

For Sliding Panels up to 176 lbs.



NOTE: Alternate route dimension when using optional EPD3BL

### Configurations:

- Single

### Installations:

- Side Wall Mount (only)

### Features:

- Made of 304 stainless steel
- Prevents door racking and bounce back
- Extends life of upper hardware
- Nylon coated stainless steel wheel for smooth operation
- 176 lb. panel capacity
- 5 year warranty
- Meets ADA push force requirements

### Finishes:

- Brushed Stainless Steel
- Black Powder Coated Stainless Steel
- Polished Stainless Steel

### CS-W60 Kits Include:

- 1 ea **BAR/\_** Stainless Steel Track
- **BRACKET2** Stainless Steel Wall Brackets
- 2 ea **62** Stainless Steel Hangers
- 1 ea **102SS-KIT** Stainless Steel Guide
- 1 pr **CS-001SS** Stainless Steel Cushion Stops

NOTE: If ordering individual parts in the optional Black Powder Coated Stainless Steel or Polished finishes, be sure to include a suffix "D" for Black Powder Coated Stainless Steel or "P" for Polished Stainless

Standard Kit Sizes			
PART NUMBER	MATERIAL	TRACK LENGTH	DOOR WIDTH
CS-W60/6	304 Stainless Steel	78 <sup>3</sup> / <sub>4</sub> "	36"
CS-W60/8	304 Stainless Steel	98 <sup>7</sup> / <sub>16</sub> "	48"
CS-W60D/6	304 Black Powder Coated Stainless Steel	78 <sup>3</sup> / <sub>4</sub> "	36"
CS-W60D/8	304 Black Powder Coated Stainless Steel	98 <sup>7</sup> / <sub>16</sub> "	48"
CS-W60P/6	304 Polished Stainless Steel	78 <sup>3</sup> / <sub>4</sub> "	36"
CS-W60P/8	304 Polished Stainless Steel	98 <sup>7</sup> / <sub>16</sub> "	48"

Custom lengths are available. Please contact the factory to order.

### Options: See page 278

- Mortise Guides
- Polypropylene Guide Rail
- Cushion Stops
- 5/8" Spacer
- 1/2" Spacer

### 102N

### EPD3BL For Use With 102SS-KIT

**CS-001SS** (sold as pair) For use with existing openings that have W60 hardware installed

**BLD-SPACER-58** Pack of 5 5/8" Spacer Recommended for use with 5/8" Gypsum Board When Mounting Track Directly to Gypsum Board

**BLD-SPACER-12** Pack of 5 1/2" Spacer Recommended for use with 1/2" Gypsum Board When Mounting Track Directly to Gypsum Board

800-824-3018 | www.pemko.com

Check the web site for the up-to-date catalog

Copyright © 2015-2022, ASSA ABLOY Accessories and Door Controls Group, Inc., an ASSA ABLOY Group company. All rights reserved. Reproduction in whole or in part without the express written permission of ASSA ABLOY Accessories and Door Controls Group, Inc. is prohibited.

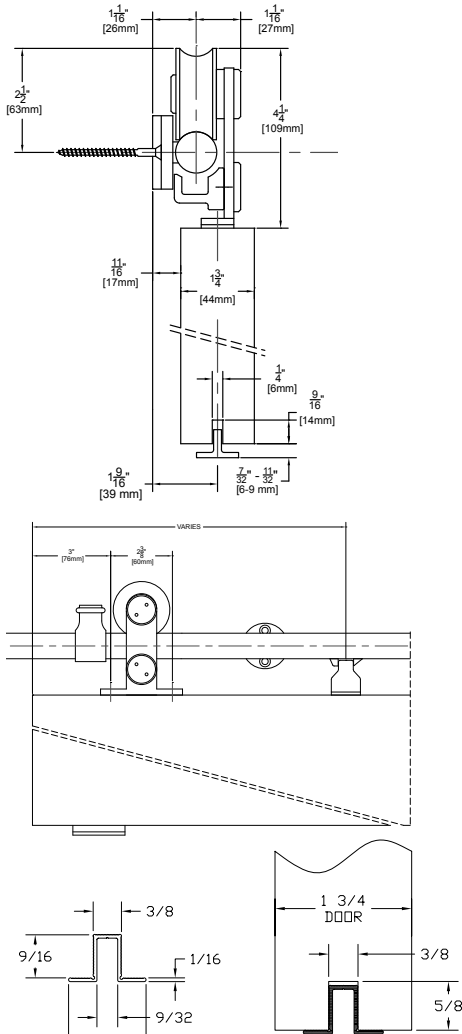
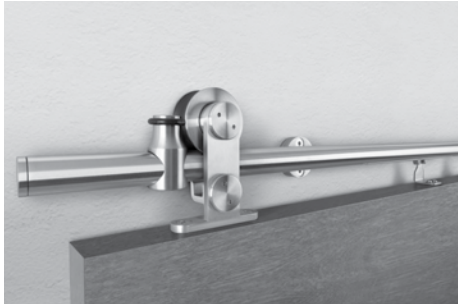
**PEMKO**  
**ASSA ABLOY**

Experience a safer  
and more open world

# SOFT CLOSE STAINLESS STEEL SLIDING TRACK HARDWARE SYSTEM

## SFT-W60 SERIES FOR WOOD DOORS

For Sliding Panels up to 176 lbs.



**Configurations:**

- Single

**Installations:**

- Side Wall Mount (only)-

**Features:**

- Made of 304 stainless steel
- Soft Close
- Nylon coated stainless steel wheel for smooth operation
- 176 lb. panel capacity
- 5 year warranty
- Meets ADA push force requirements

**Finishes:**

- Brushed Stainless Steel

**SFT-W60 Kits Include:**

- 1 ea **SC-BAR/** Stainless Steel Track with Two Soft Close Devices
- **BRACKET2** Stainless Steel Wall Brackets
- 2 ea **SC-62** Stainless Steel Hangers
- 1 ea **102SS-KIT** Stainless Steel Guide
- 2 ea **STOP2** Stainless Steel Stops Mounting Hardware
- 2 ea **SC-TRG** Soft Close Activators

**Standard Kit Sizes**

PART NUMBER	MATERIAL	TRACK LENGTH	DOOR WIDTH
SFT-W60/6	304 Stainless Steel	78 <sup>3</sup> / <sub>4</sub> "	36"
SFT-W60/8	304 Stainless Steel	98 <sup>7</sup> / <sub>16</sub> "	48"

**Options:**

- Hardware Pack (One Door)
- Mortise Guides
- Polypropylene Guide Rail
- 5/8" Spacer
- 1/2" Spacer

**SC-W60H/PACK**

**102N**

**EPD3BL** For Use With 102N and 102SS-KIT

**BLD-SPACER-58** Pack of 5 5/8" Spacer  
Recommended for use with 5/8" Gypsum Board  
When Mounting Track Directly to Gypsum Board

**BLD-SPACER-12** Pack of 5 1/2" Spacer  
Recommended for use with 1/2" Gypsum Board  
When Mounting Track Directly to Gypsum Board

NOTE: Alternate route dimension when using optional EPD3BL



Experience a safer and more open world

800-824-3018 | www.pemko.com  
Check the web site for the up-to-date catalog

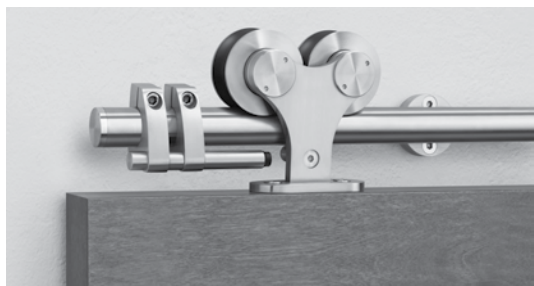
Copyright © 2015-2022, ASSA ABLOY Accessories and Door Controls Group, Inc., an ASSA ABLOY Group company. All rights reserved. Reproduction in whole or in part without the express written permission of ASSA ABLOY Accessories and Door Controls Group, Inc. is prohibited.



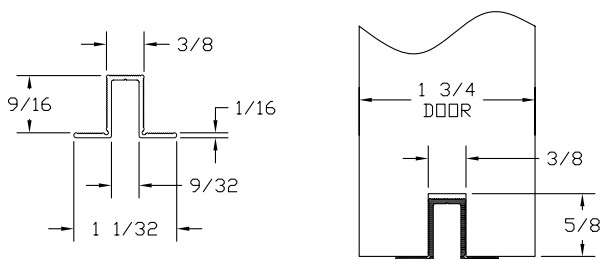
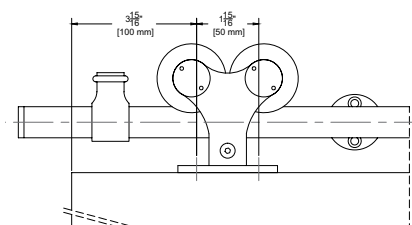
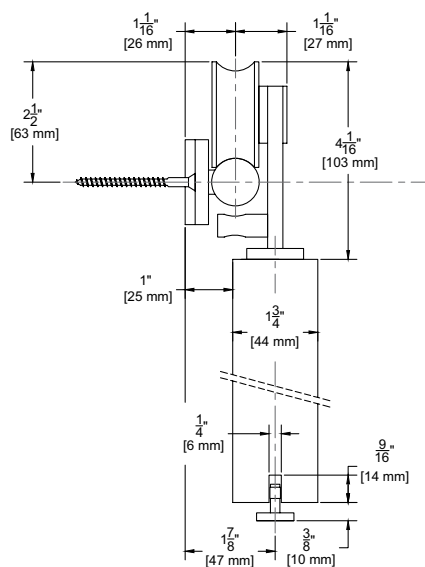
# STAINLESS STEEL SLIDING TRACK HARDWARE SYSTEM

## W70 SERIES FOR WOOD DOORS

For Sliding Panels up to 240 lbs.



Shown with Optional Stop. Part number: STOP1



NOTE: Alternate route dimension when using optional EPD3BL

### Configurations:

- Single
- Bi-parting

### Installations:

- Side Wall Mount (only)

### Features:

- Made of 304 stainless steel
- Nylon coated stainless steel wheel for smooth operation
- 240 lb. panel capacity
- 5 year warranty
- Meets ADA push force requirements

### Finishes:

- Brushed Stainless Steel (W70)
- Black Powder Coated Stainless Steel (W70D)
- Polished Stainless Steel (W70P)

### W70 Kits Include:

- 1 ea **BAR\_** Stainless Steel Track
- **BRACKET2** Stainless Steel Wall Brackets
- 2 ea **WD72** Stainless Steel Hangers
- 1 ea **102SS-KIT** Stainless Steel Guide
- 2 ea **STOP2** Stainless Steel Stops Mounting Hardware

NOTE: If ordering individual parts in the optional Black Powder Coat, Polished finishes be sure to include a prefix "D" for Black Powder Coat, or "P" for Polished Stainless

Standard Kit Sizes			
PART NUMBER	MATERIAL	TRACK LENGTH	DOOR WIDTH
W70/6	304 Stainless Steel	78 <sup>3</sup> / <sub>4</sub> "	36"
W70/8	304 Stainless Steel	98 <sup>7</sup> / <sub>16</sub> "	48"
W70D/6	Black Powder Coated Stainless Steel	78 <sup>3</sup> / <sub>4</sub> "	36"
W70D/8	Black Powder Coated Stainless Steel	98 <sup>7</sup> / <sub>16</sub> "	48"
W70P/6	304 Polished Stainless Steel	78 <sup>3</sup> / <sub>4</sub> "	36"
W70P/8	304 Polished Stainless Steel	98 <sup>7</sup> / <sub>16</sub> "	48"

Custom lengths are available. Please contact the factory to order.

### Options:

- Hardware Pack (One Door)
- Alternate Stop
- Mortise Guides
- Polypropylene Guide Rail
- 5/8" Spacer
- 1/2" Spacer

### W70\_H/PACK

#### STOP1

#### 102N

#### EPD3BL For Use With 102N

**BLD-SPACER-58** Pack of 5 5/8" Spacer  
Recommended for use with 5/8" Gypsum Board  
When Mounting Track Directly to Gypsum Board

**BLD-SPACER-12** Pack of 5 1/2" Spacer  
Recommended for use with 1/2" Gypsum Board  
When Mounting Track Directly to Gypsum Board

800-824-3018 | www.pemko.com

Check the web site for the up-to-date catalog

Copyright © 2015-2022, ASSA ABLOY Accessories and Door Controls Group, Inc., an ASSA ABLOY Group company. All rights reserved. Reproduction in whole or in part without the express written permission of ASSA ABLOY Accessories and Door Controls Group, Inc. is prohibited.

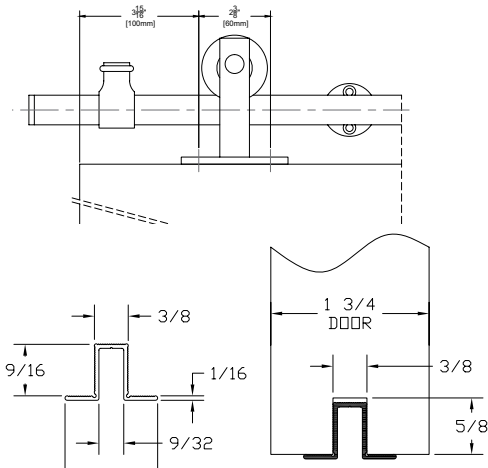
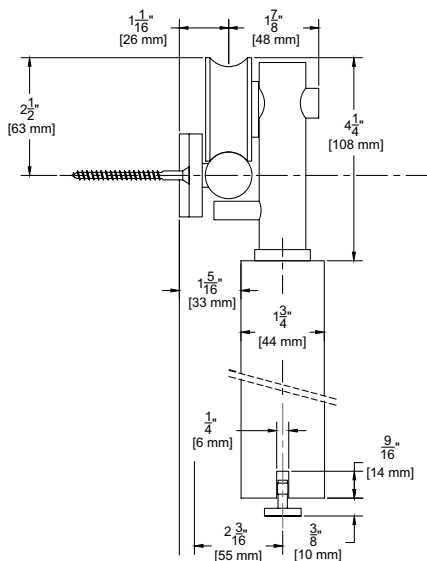
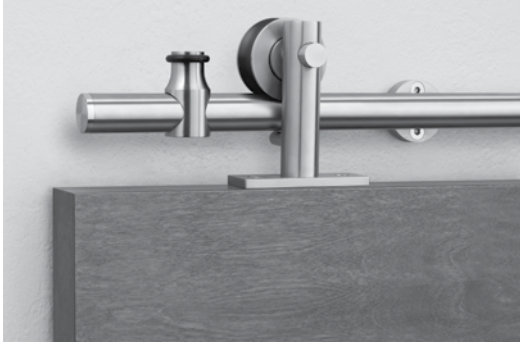
**PEMKO**  
**ASSA ABLOY**

Experience a safer  
and more open world

# STAINLESS STEEL SLIDING TRACK HARDWARE SYSTEM

## W80 SERIES FOR WOOD DOORS

For Sliding Panels up to 176 lbs.



NOTE: Alternate route dimension when using optional EPD3BL



Experience a safer and more open world

### Configurations:

- Single
- Bi-parting

### Installations:

- Side Wall Mount (only)

### Features:

- Made of 304 stainless steel
- Nylon coated stainless steel wheel for smooth operation
- 176 lb. panel capacity
- 5 year warranty
- Meets ADA push force requirements

### Finishes:

- Brushed Stainless Steel (W80)
- Black Powder Coated Stainless Steel (W80D)
- Polished Stainless Steel (W80P)

### W80 Kits Include:

- 1 ea **BAR/** Stainless Steel Track
- **BRACKET2** Stainless Steel Wall Brackets
- 2 ea **WD82** Stainless Steel Hangers
- 1 ea **102SS-KIT** Stainless Steel Guide
- 2 ea **STOP2** Stainless Steel Stops Mounting Hardware

NOTE: If ordering individual parts in the optional Black Powder Coat, Polished finishes be sure to include a prefix "D" for Black Powder Coat, or "P" for Polished Stainless

Standard Kit Sizes			
PART NUMBER	MATERIAL	TRACK LENGTH	DOOR WIDTH
W80/6	304 Stainless Steel	78 <sup>3</sup> / <sub>4</sub> "	36"
W80/8	304 Stainless Steel	98 <sup>7</sup> / <sub>16</sub> "	48"
W80D/6	Black Powder Coated Stainless Steel	78 <sup>3</sup> / <sub>4</sub> "	36"
W80D/8	Black Powder Coated Stainless Steel	98 <sup>7</sup> / <sub>16</sub> "	48"
W80P/6	304 Polished Stainless Steel	78 <sup>3</sup> / <sub>4</sub> "	36"
W80P/8	304 Polished Stainless Steel	98 <sup>7</sup> / <sub>16</sub> "	48"

Custom lengths are available. Please contact the factory to order.

### Options:

- Hardware Pack (One Door)
- Mortise Guides
- Polypropylene Guide Rail
- 5/8" Spacer
- 1/2" Spacer

### W80\_H/PACK

#### 102N

**EPD3BL** For Use With 102N

**BLD-SPACER-58** Pack of 5 5/8" Spacer Recommended for use with 5/8" Gypsum Board When Mounting Track Directly to Gypsum Board

**BLD-SPACER-12** Pack of 5 1/2" Spacer Recommended for use with 1/2" Gypsum Board When Mounting Track Directly to Gypsum Board

800-824-3018 | www.pemko.com

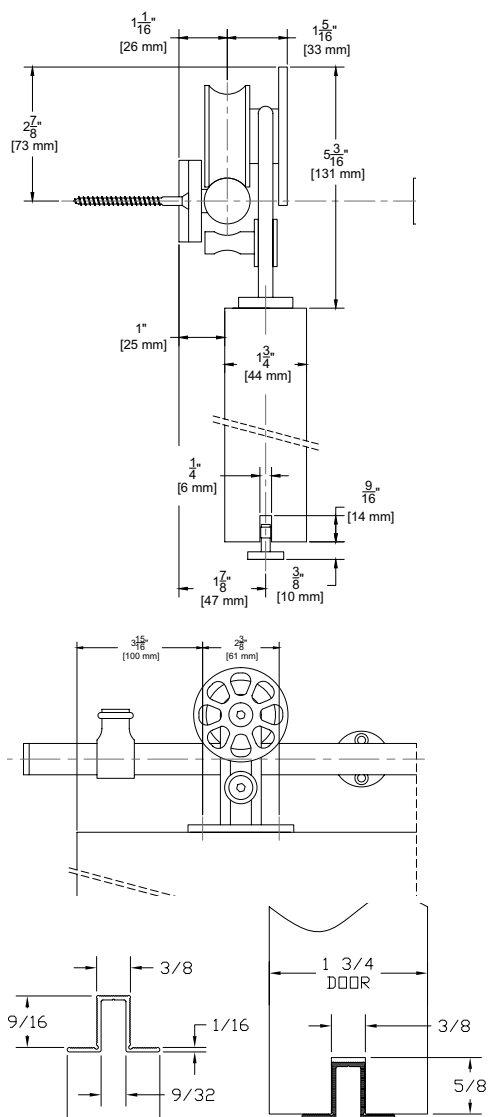
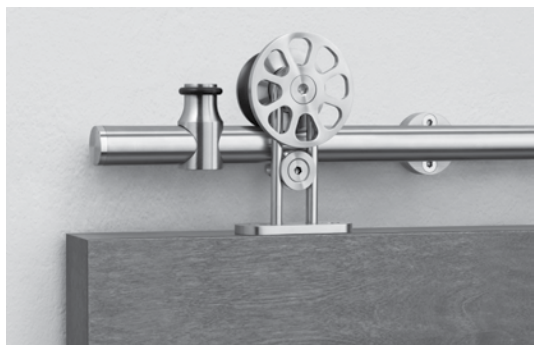
Check the web site for the up-to-date catalog

Copyright © 2015-2022, ASSA ABLOY Accessories and Door Controls Group, Inc., an ASSA ABLOY Group company. All rights reserved. Reproduction in whole or in part without the express written permission of ASSA ABLOY Accessories and Door Controls Group, Inc. is prohibited.

# STAINLESS STEEL SLIDING TRACK HARDWARE SYSTEM

## W90 SERIES FOR WOOD DOORS

For Sliding Panels up to 176 lbs.



NOTE: Alternate route dimension when using optional EPD3BL

### Configurations:

- Single
- Bi-parting

### Installations:

- Side Wall Mount (only)

### Features:

- Made of 304 stainless steel
- Nylon coated stainless steel wheel for smooth operation
- 176 lb. panel capacity
- 5 year warranty
- Meets ADA push force requirements

### Finishes:

- Brushed Stainless Steel (W90)
- Black Powder Coated Stainless Steel (W90D)

### W90 Kits Include:

- 1 ea **BAR/\_** Stainless Steel Track
- **BRACKET2** Stainless Steel Wall Brackets
- 2 ea **WD92** Stainless Steel Hangers
- 1 ea **102SS-KIT** Stainless Steel Guide
- 2 ea **STOP2** Stainless Steel Stops Mounting Hardware

NOTE: If ordering individual parts in the optional Black Powder Coat, be sure to include a prefix "D" for Black Powder Coat

Standard Kit Sizes			
PART NUMBER	MATERIAL	TRACK LENGTH	DOOR WIDTH
W90/6	304 Stainless Steel	78 <sup>3</sup> / <sub>4</sub> "	36"
W90/8	304 Stainless Steel	98 <sup>7</sup> / <sub>16</sub> "	48"
W90D/6	Black Powder Coated Stainless Steel	78 <sup>3</sup> / <sub>4</sub> "	36"
W90D/8	Black Powder Coated Stainless Steel	98 <sup>7</sup> / <sub>16</sub> "	48"

Custom lengths are available. Please contact the factory to order.

### Options:

- Hardware Pack (One Door) **W90\_H/PACK**
- Mortise Guides **102N**
- Polypropylene Guide Rail **EPD3BL** For Use With 102N
- 5/8" Spacer **BLD-SPACER-58** Pack of 5 5/8" Spacer  
Recommended for use with 5/8" Gypsum Board When Mounting Track Directly to Gypsum Board
- 1/2" Spacer **BLD-SPACER-12** Pack of 5 1/2" Spacer  
Recommended for use with 1/2" Gypsum Board When Mounting Track Directly to Gypsum Board

800-824-3018 | www.pemko.com

Check the web site for the up-to-date catalog

Copyright © 2015-2022, ASSA ABLOY Accessories and Door Controls Group, Inc., an ASSA ABLOY Group company. All rights reserved. Reproduction in whole or in part without the express written permission of ASSA ABLOY Accessories and Door Controls Group, Inc. is prohibited.

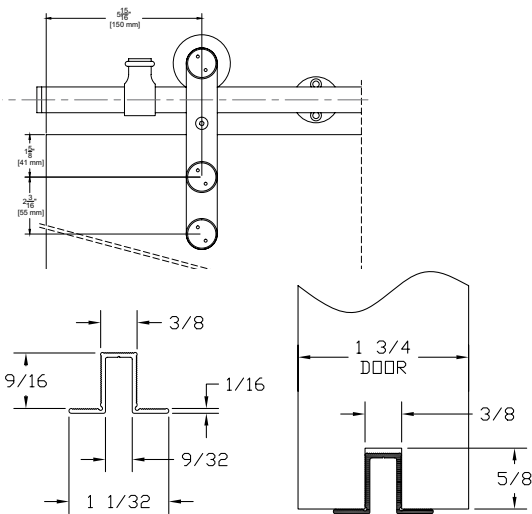
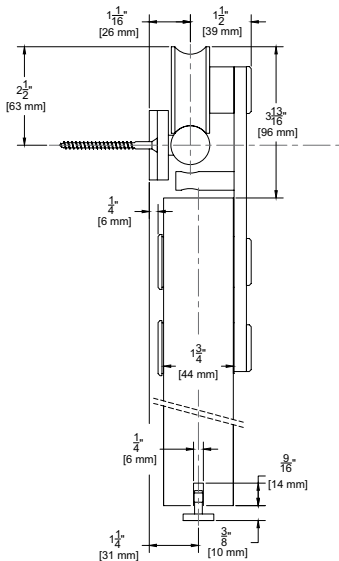
**PEMKO**  
**ASSA ABLOY**

Experience a safer  
and more open world

# STAINLESS STEEL SLIDING TRACK HARDWARE SYSTEM

## W100 SERIES FOR WOOD DOORS

For Sliding Panels up to 198 lbs.



NOTE: Alternate route dimension when using optional EPD3BL



Experience a safer and more open world

### Configurations:

- Single
- Bi-parting

### Installations:

- Side Wall Mount (only)

### Features:

- Made of 304 stainless steel
- Nylon coated stainless steel wheel for smooth operation
- 198 lb. panel capacity
- 5 year warranty
- Meets ADA push force requirements

### Finishes:

- Brushed Stainless Steel (W100)
- Black Powder Coated Stainless Steel (W100D)
- Polished Stainless Steel (W100P)

### W100 Kits Include:

- 1 ea **BAR/** Stainless Steel Track
- **BRACKET2** Stainless Steel Wall Brackets
- 2 ea **WD111** Stainless Steel Hangers
- 1 ea **102SS-KIT** Stainless Steel Guide
- 2 ea **STOP2** Stainless Steel Stops Mounting Hardware

NOTE: If ordering individual parts in the optional Black Powder Coat, Polished finishes be sure to include a prefix "D" for Black Powder Coat, or "P" for Polished Stainless

Standard Kit Sizes			
PART NUMBER	MATERIAL	TRACK LENGTH	DOOR WIDTH
W100/6	304 Stainless Steel	78 <sup>3</sup> / <sub>4</sub> "	36"
W100/8	304 Stainless Steel	98 <sup>7</sup> / <sub>16</sub> "	48"
W100D/6	Black Powder Coated Stainless Steel	78 <sup>3</sup> / <sub>4</sub> "	36"
W100D/8	Black Powder Coated Stainless Steel	98 <sup>7</sup> / <sub>16</sub> "	48"
W100P/6	304 Polished Stainless Steel	78 <sup>3</sup> / <sub>4</sub> "	36"
W100P/8	304 Polished Stainless Steel	98 <sup>7</sup> / <sub>16</sub> "	48"

Custom lengths are available. Please contact the factory to order.

### Options:

- Hardware Pack (One Door)
- Mortise Guides
- Polypropylene Guide Rail
- 5/8" Spacer
- 1/2" Spacer

### W100\_H/PACK

#### 102N

#### EPD3BL For Use With 102N

**BLD-SPACER-58** Pack of 5 5/8" Spacer Recommended for use with 5/8" Gypsum Board When Mounting Track Directly to Gypsum Board

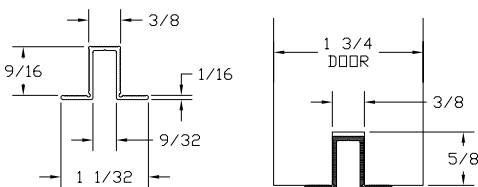
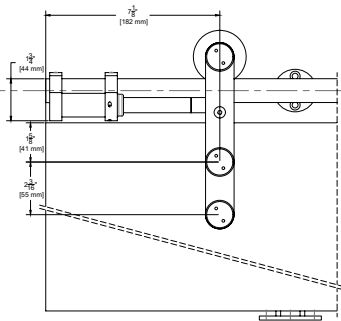
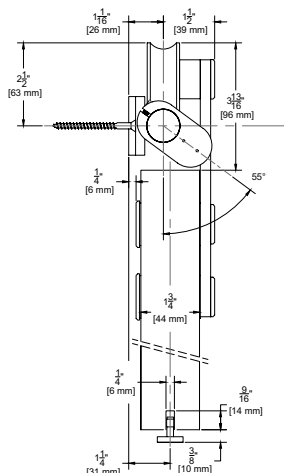
#### BLD-SPACER-12 Pack of 5 1/2" Spacer

Recommended for use with 1/2" Gypsum Board When Mounting Track Directly to Gypsum Board

# STAINLESS STEEL SLIDING TRACK HARDWARE SYSTEM WITH CUSHION STOP

## CS-W100 SERIES FOR WOOD DOORS

For Sliding Panels up to 198 lbs.



NOTE: Alternate route dimension when using optional EPD3BL

### Configurations:

- Single

### Installations:

- Side Wall Mount (only)

### Features:

- Made of 304 stainless steel
- Prevents door racking and bounce back
- Extends life of upper hardware
- Nylon coated stainless steel wheel for smooth operation
- 198 lb. panel capacity
- 5 year warranty
- Meets ADA push force requirements

### Finishes:

- Brushed Stainless Steel
- Black Powder Coated Stainless Steel
- Polished Stainless Steel

### CS-W100 Kits Include:

- 1 ea **BAR/** Stainless Steel Track
- **BRACKET2** Stainless Steel Wall Brackets
- 2 ea **WD111** Stainless Steel Hangers
- 1 ea **102SS-KIT** Stainless Steel Guide
- 1 pr **CS-003SS** Stainless Steel Cushion Stops

NOTE: If ordering individual parts in the optional Dark Bronze or Polished finishes, be sure to include a suffix "D" for Dark Bronze or "P" for Polished Stainless

Standard Kit Sizes			
PART NUMBER	MATERIAL	TRACK LENGTH	DOOR WIDTH
CS- W100/6	304 Stainless Steel	78 <sup>3</sup> / <sub>4</sub> "	36"
CS- W100/8	304 Stainless Steel	98 <sup>7</sup> / <sub>16</sub> "	48"
CS- W100D/6	Black Powder Coated Stainless Steel	78 <sup>3</sup> / <sub>4</sub> "	36"
CS- W100D/8	Black Powder Coated Stainless Steel	98 <sup>7</sup> / <sub>16</sub> "	48"
CS- W100P/6	304 Polished Stainless Steel	78 <sup>3</sup> / <sub>4</sub> "	36"
CS- W100P/8	304 Polished Stainless Steel	98 <sup>7</sup> / <sub>16</sub> "	48"

Custom lengths are available. Please contact the factory to order.

### Options:

Mortise Guides

**102N**

Polypropylene Guide Rail

**EPD3BL For Use With 102SS-KIT**

Cushion Stops

**CS-003SS** (sold as pair) For use with existing openings that have W100 hardware installed"

5/8" Spacer

**BLD-SPACER-58** Pack of 5 5/8" Spacer Recommended for use with 5/8" Gypsum Board When Mounting Track Directly to Gypsum Board

1/2" Spacer

**BLD-SPACER-12** Pack of 5 1/2" Spacer Recommended for use with 1/2" Gypsum Board When Mounting Track Directly to Gypsum Board

800-824-3018 | www.pemko.com

Check the web site for the up-to-date catalog

Copyright © 2015-2022, ASSA ABLOY Accessories and Door Controls Group, Inc., an ASSA ABLOY Group company. All rights reserved. Reproduction in whole or in part without the express written permission of ASSA ABLOY Accessories and Door Controls Group, Inc. is prohibited.

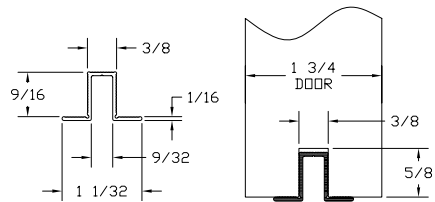
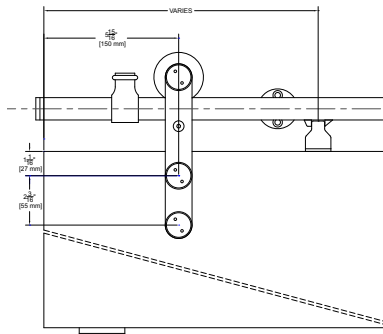
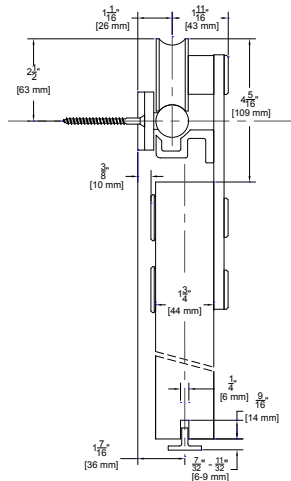
**PEMKO**  
**ASSA ABLOY**

Experience a safer  
and more open world

# SOFT CLOSE STAINLESS STEEL SLIDING TRACK HARDWARE SYSTEM

## SFT-W100 SERIES FOR WOOD DOORS

For Sliding Panels up to 198 lbs.



NOTE: Alternate route dimension when using optional EPD3BL

### Configurations:

- Single

### Installations:

- Side Wall Mount (only)

### Features:

- Made of 304 stainless steel
- Soft Close
- Nylon coated stainless steel wheel for smooth operation
- 198 lb. panel capacity
- 5 year warranty
- Meets ADA push force requirements

### Finishes:

- Brushed Stainless Steel

### SFT-W100 Kits Include:

- 1 ea **SC-BAR/** Stainless Steel Track with Two Soft Close Devices
- **BRACKET2** Stainless Steel Wall Brackets
- 2 ea **SC-111** Stainless Steel Hangers
- 1 ea **102SS-KIT** Stainless Steel Guide
- 2 ea **STOP2** Stainless Steel Stops Mounting Hardware
- 2 ea **SC-TRG** Soft Close Activators

Standard Kit Sizes			
PART NUMBER	MATERIAL	TRACK LENGTH	DOOR WIDTH
SFT-W100/6	304 Stainless Steel	78 <sup>3</sup> / <sub>4</sub> "	36"
SFT-W100/8	304 Stainless Steel	98 <sup>7</sup> / <sub>16</sub> "	48"

### Options:

Hardware Pack (One Door) **SC-W100H/PACK**

Mortise Guides **102N**

Polypropylene Guide Rail **EPD3BL** For Use With 102N and 102SS-KIT

5/8" Spacer

**BLD-SPACER-58** Pack of 5 5/8" Spacer  
Recommended for use with 5/8" Gypsum Board  
When Mounting Track Directly to Gypsum Board

1/2" Spacer

**BLD-SPACER-12** Pack of 5 1/2" Spacer  
Recommended for use with 1/2" Gypsum Board  
When Mounting Track Directly to Gypsum Board



Experience a safer  
and more open world

800-824-3018 | www.pemko.com  
Check the web site for the up-to-date catalog

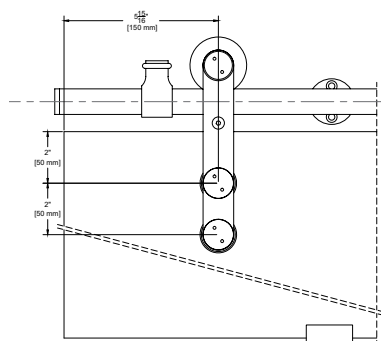
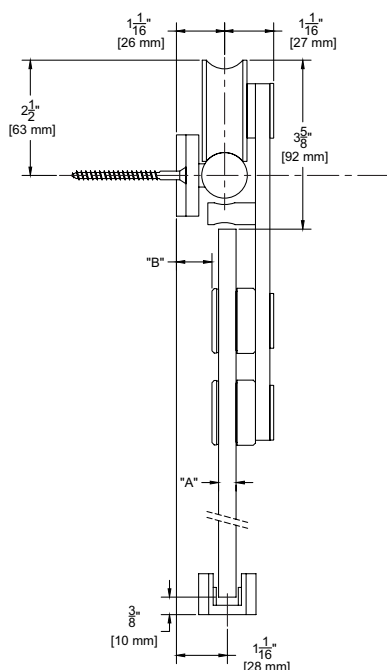
Copyright © 2015-2022, ASSA ABLOY Accessories and Door Controls Group, Inc., an ASSA ABLOY Group company. All rights reserved.  
Reproduction in whole or in part without the express written permission of ASSA ABLOY Accessories and Door Controls Group, Inc. is prohibited.



# STAINLESS STEEL SLIDING TRACK HARDWARE SYSTEM

## G60 SERIES FOR GLASS DOORS

For Sliding Panels up to 198 lbs.



Glass Thickness "A"	Distance from Wall "B"
3/8"	3/4"
1/2"	5/8"

### Configurations:

- Single
- Bi-parting

### Installations:

- Side Wall Mount (only)

### Features:

- Made of 304 stainless steel
- Nylon coated stainless steel wheel for smooth operation
- 198 lb. panel capacity
- 5 year warranty
- Meets ADA push force requirements

### Finishes:

- Brushed Stainless Steel (G60)
- Black Powder Coated Stainless Steel (G60D)

### G60 Kits Include:

- 1 ea **BAR/** Stainless Steel Track
- **BRACKET2** Stainless Steel Wall Brackets
- 2 ea **12** Stainless Steel Hangers
- 1 ea **GLASSGUIDE** Stainless Steel Guide
- 2 ea **STOP2** Stainless Steel Stops Mounting Hardware

NOTE: If ordering individual parts in the optional Black Powder Coat, be sure to include a prefix "D" for Black Powder Coat

Standard Kit Sizes			
PART NUMBER	MATERIAL	TRACK LENGTH	DOOR WIDTH
G60/6	304 Stainless Steel	78 <sup>3</sup> / <sub>4</sub> "	36"
G60/8	304 Stainless Steel	98 <sup>7</sup> / <sub>16</sub> "	48"
G60D/6	Black Powder Coated Stainless Steel	78 <sup>3</sup> / <sub>4</sub> "	36"
G60D/8	Black Powder Coated Stainless Steel	98 <sup>7</sup> / <sub>16</sub> "	48"

Custom lengths are available. Please contact the factory to order.

### Options:

Hardware Pack (One Door) **G60\_H/PACK**

5/8" Spacer

**BLD-SPACER-58** Pack of 5 5/8" Spacer  
Recommended for use with 5/8" Gypsum Board  
When Mounting Track Directly to Gypsum Board

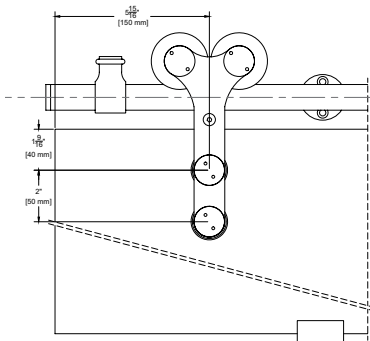
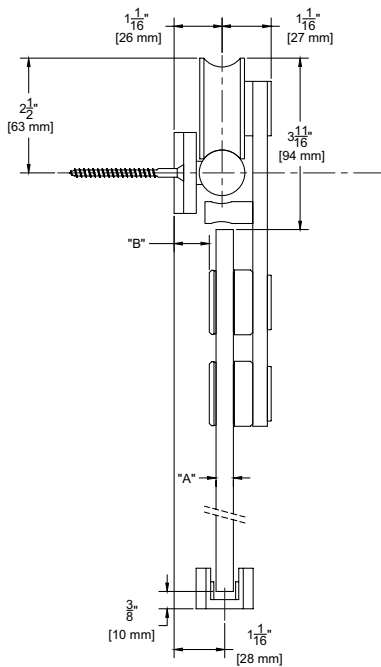
1/2" Spacer

**BLD-SPACER-12** Pack of 5 1/2" Spacer  
Recommended for use with 1/2" Gypsum Board  
When Mounting Track Directly to Gypsum Board

# STAINLESS STEEL SLIDING TRACK HARDWARE SYSTEM

## G70 SERIES FOR GLASS DOORS

For Sliding Panels up to 240 lbs.



Glass Thickness "A"	Distance from Wall "B"
3/8"	3/4"
1/2"	5/8"

### Configurations:

- Single
- Bi-parting

### Installations:

- Side Wall Mount (only)

### Features:

- Made of 304 stainless steel
- Nylon coated stainless steel wheel for smooth operation
- 240 lb. panel capacity
- 5 year warranty
- Meets ADA push force requirements

### Finishes:

- Brushed Stainless Steel (G70)

### G70 Kits Include:

- 1 ea **BAR/\_** Stainless Steel Track
- **BRACKET2** Stainless Steel Wall Brackets
- 2 ea **32** Stainless Steel Hangers
- 1 ea **GLASSGUIDE** Stainless Steel Guide
- 2 ea **STOP2** Stainless Steel Stops Mounting Hardware

Standard Kit Sizes			
PART NUMBER	MATERIAL	TRACK LENGTH	DOOR WIDTH
G70/6	304 Stainless Steel	78 <sup>3</sup> / <sub>4</sub> "	36"
G70/8	304 Stainless Steel	98 <sup>7</sup> / <sub>16</sub> "	48"

Custom lengths are available. Please contact the factory to order.

### Options:

Hardware Pack (One Door) **G70H/PACK**

Alternate Stop

**STOP1**

5/8" Spacer

**BLD-SPACER-58** Pack of 5 5/8" Spacer  
Recommended for use with 5/8" Gypsum Board When Mounting Track Directly to Gypsum Board

1/2" Spacer

**BLD-SPACER-12** Pack of 5 1/2" Spacer  
Recommended for use with 1/2" Gypsum Board When Mounting Track Directly to Gypsum Board



Experience a safer and more open world

800-824-3018 | www.pemko.com  
Check the web site for the up-to-date catalog

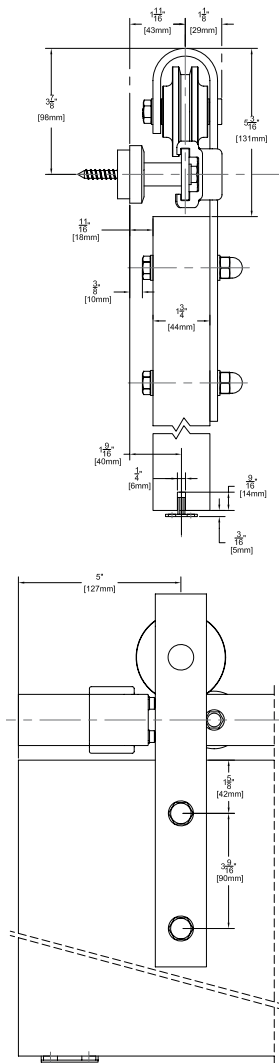
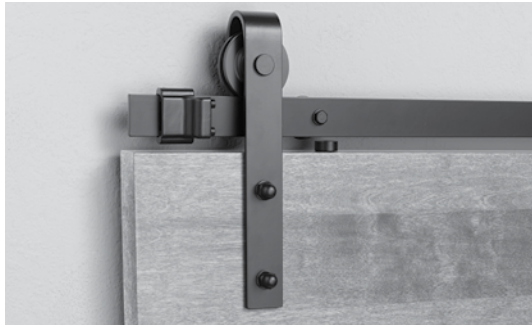
Copyright © 2015-2022, ASSA ABLOY Accessories and Door Controls Group, Inc., an ASSA ABLOY Group company. All rights reserved. Reproduction in whole or in part without the express written permission of ASSA ABLOY Accessories and Door Controls Group, Inc. is prohibited.



# BUILDERS SERIES FLAT TRACK SLIDING DOOR HARDWARE SYSTEM

## BLD-FT-01 FOR WOOD DOORS

For Sliding Panels up to 240 lbs.



### Configurations:

- Single
- Bi-parting

### Installations:

- Side Wall Mount (only)

### Features:

- Solid nylon wheel for smooth operation
- 240 lb. panel capacity
- Optional Soft Close
- 5 year warranty
- Meets ADA push force requirements

### Finishes:

- Black Suede Powder Coated Steel (BLD-FT-01BSP)
- Industrial Steel Zinc Coated Steel (BLD-FT-01IS)

### BLD-FT-01 Kits Include:

- 1 ea **BLD-FT-/\_** Steel Flat Track
- 5 ea **BLD-99-\_\_** Steel Track Brackets
- 5 ea **BLD-88-\_\_** Steel Track Fasteners
- 2 ea **BLD-01-\_\_** Steel Strap Mount Hangers
- 2 ea **BLD-77** Anti-Rise Discs
- 1 ea **102N** Mortised Type Nylon Guide
- 2 ea **BLD-11-\_\_** Steel Track Stops Mounting Hardware

### Standard Kit Sizes

PART NUMBER	MATERIAL	TRACK LENGTH	DOOR WIDTH
BLD-FT-01IS/6	Industrial Steel	72"	36"
BLD-FT-01IS/8	Industrial Steel	96"	48"
BLD-FT-01BSP/6	Black Suede Powder Coated Steel	72"	36"
BLD-FT-01BSP/8	Black Suede Powder Coated Steel	96"	48"

Custom lengths are available. Please contact the factory to order. Industrial Steel maximum track length is 8'. Lengths over 8' will be spliced by factory.

### Options:

Thru-bolts for 1 3/8" thick doors 4 per door BLD-97-\_\_

Hardware Pack (One Door)

**BLD-FT01-\_\_ /PACK**

Side Wall Mortised Type Guide

**102WN-KIT**

Polypropylene Guide Rail

**EPD3BL** For Use With 102N

5/8" Spacer

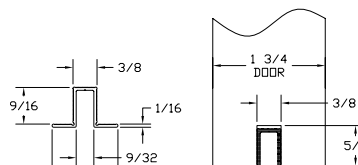
**BLD-SPACER-58** Pack of 5 5/8"

Spacer Recommended for use with 5/8" Gypsum Board When Mounting Track Directly to Gypsum Board

1/2" Spacer

**BLD-SPACER-12** Pack of 5 1/2" Spacer Recommended for use with 1/2" Gypsum Board When Mounting Track Directly to Gypsum Board

Soft Close available. See pages 275-277 for more information.



NOTE: Alternate route dimension when using optional EPD3BL

800-824-3018 | www.pemko.com

Check the web site for the up-to-date catalog

Copyright © 2015-2022, ASSA ABLOY Accessories and Door Controls Group, Inc., an ASSA ABLOY Group company. All rights reserved. Reproduction in whole or in part without the express written permission of ASSA ABLOY Accessories and Door Controls Group, Inc. is prohibited.

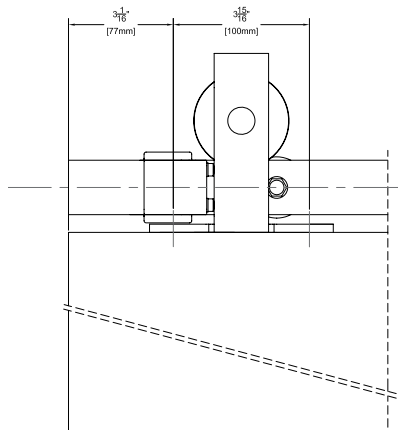
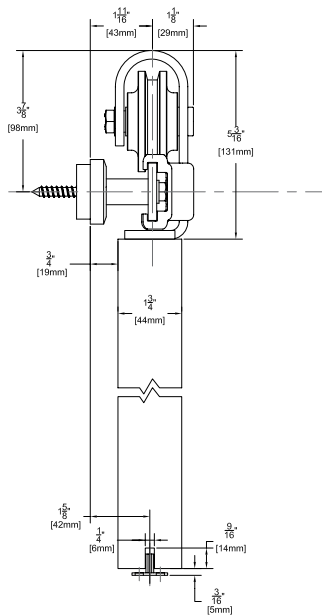
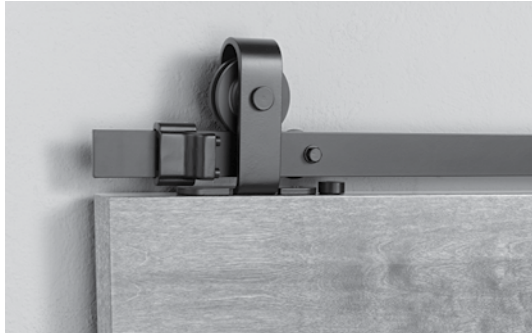
**PEMKO**  
**ASSA ABLOY**

Experience a safer  
and more open world

# BUILDERS SERIES FLAT TRACK SLIDING DOOR HARDWARE SYSTEM

## BLD-FT-02 FOR WOOD DOORS

For Sliding Panels up to 240 lbs.



### Configurations:

- Single
- Bi-parting

### Installations:

- Side Wall Mount (only)

### Features:

- Solid nylon wheel for smooth operation
- 240 lb. panel capacity
- Optional Soft Close
- 5 year warranty
- Meets ADA push force requirements

### Finishes:

- Black Suede Powder Coated Steel (BLD-FT-02BSP)
- Industrial Steel Zinc Coated Steel (BLD-FT-02IS)

### BLD-FT-02 Kits Include:

- 1 ea **BLD-FT-/\_** Steel Flat Track
- 5 ea **BLD-99-/\_** Steel Track Brackets
- 5 ea **BLD-88-/\_** Steel Track Fasteners
- 2 ea **BLD-02-/\_** Steel Top Mount Hangers
- 2 ea **BLD-77** Anti-Rise Discs
- 1 ea **102N** Mortised Type Nylon Guide
- 2 ea **BLD-11-/\_** Steel Track Stops Mounting Hardware

### Standard Kit Sizes

PART NUMBER	MATERIAL	TRACK LENGTH	DOOR WIDTH
BLD-FT-02IS/6	Industrial Steel	72"	36"
BLD-FT-02IS/8	Industrial Steel	96"	48"
BLD-FT-02BSP/6	Black Suede Powder Coated Steel	72"	36"
BLD-FT-02BSP/8	Black Suede Powder Coated Steel	96"	48"

Custom lengths are available. Please contact the factory to order. Industrial Steel maximum track length is 8'. Lengths over 8' will be spliced by factory.

**Options:** See page 278

Hardware Pack (One Door)

Side Wall Mortised Type Guide

Polypropylene Guide Rail

5/8" Spacer

1/2" Spacer

**BLD-FT02-\_/PACK**

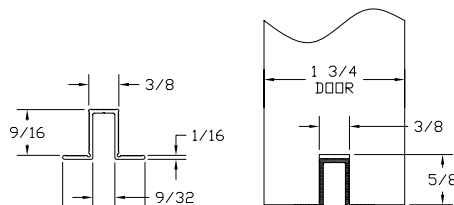
**102WN-KIT**

**EPD3BL** For Use With 102N

**BLD-SPACER-58** Pack of 5 5/8" Spacer Recommended for use with 5/8" Gypsum Board When Mounting Track Directly to Gypsum Board

**BLD-SPACER-12** Pack of 5 1/2" Spacer Recommended for use with 1/2" Gypsum Board When Mounting Track Directly to Gypsum Board

Soft Close available. See pages 275-277 for more information.



NOTE: Alternate route dimension when using optional EPD3BL

**PEMKO**  
**ASSA ABLOY**

Experience a safer and more open world

800-824-3018 | www.pemko.com  
Check the web site for the up-to-date catalog

Copyright © 2015-2022, ASSA ABLOY Accessories and Door Controls Group, Inc., an ASSA ABLOY Group company. All rights reserved. Reproduction in whole or in part without the express written permission of ASSA ABLOY Accessories and Door Controls Group, Inc. is prohibited.

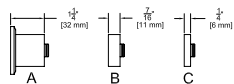
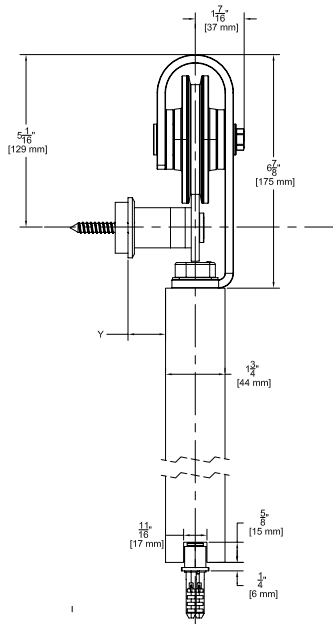
# DESIGNER SERIES FLAT TRACK SLIDING DOOR HARDWARE SYSTEM

## DSG-FT-03 FOR WOOD DOORS

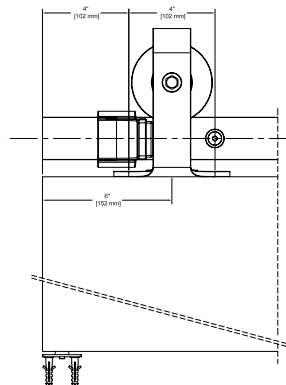
For Sliding Panels up to 500 lbs.



Shown in 10BE Satin Bronze finish



Wall Bracket Combination				
A	A+C	A+B	A+B+C	
"Y"	1/2"	3/4"	1"	1-1/4"



### Configurations:

- Single
- Bi-parting

### Installations:

- Side Wall Mount (only)

### Features:

- Solid steel wheel with a polymer resin contact surface for smooth operation
- 500 lb. panel capacity
- 5 year warranty

### Finishes:

- Black Suede Powder Coated Steel (DSG-FT-03BSP)
- Industrial Steel Zinc Coated Steel (DSG-FT-03IS)
- Wrought Black Powder Coated Steel (DSG-FT-03WB)
- 10BE Satin Bronze Powder Coated Steel (DSG-FT-03BZ)
- Stainless Steel (DSG-FT-03SS)

### DSG-FT-03 Kits include:

- 1 ea **DSG-FT-/\_** Steel Flat Track
- 7 to 9 ea **DSG-100-/\_** Steel Track Brackets
- 7 to 9 ea **DSG-89-/\_** Steel Track Fasteners
- 2 ea **DSG-03-/\_** Steel Top Mount Hangers
- 2 ea **DSG-78** Anti-Rise Blocks
- 1 ea **DSG-106** Mortised Type Roller Guide
- 2 ea **DSG-12-/\_** Steel Track Stops Mounting Hardware

### Standard Kit Sizes

PART NUMBER	MATERIAL	TRACK LENGTH	DOOR WIDTH
DSG-FT-03IS/6	Industrial Steel	72"	36"
DSG-FT-03IS/8	Industrial Steel	96"	48"
DSG-FT-03BSP/6	Black Suede Powder Coated Steel	72"	36"
DSG-FT-03BSP/8	Black Suede Powder Coated Steel	96"	48"
DSG-FT-03WB/6	Wrought Black Powder Coated Steel	72"	36"
DSG-FT-03WB/8	Wrought Black Powder Coated Steel	96"	48"
DSG-FT-03BZ/6	10BE Satin Bronze Powder Coated Steel	72"	36"
DSG-FT-03BZ/8	10BE Satin Bronze Powder Coated Steel	96"	48"
DSG-FT-03SS/6	Stainless Steel	72"	36"
DSG-FT-03SS/8	Stainless Steel	96"	48"

Custom lengths are available. Please contact the factory to order. Industrial Steel maximum track length is 8'. Lengths over 8' will be spliced by factory.

### Options:

- Hardware Pack (One Door)
- Side Wall Mortised Type Guide
- 5/8" Spacer
- 1/2" Spacer

**DSG-FT03-\_/PACK**

**102WN-KIT**

**BLD-SPACER-58** Pack of 5 5/8" Spacer Recommended for use with 5/8" Gypsum Board When Mounting Track Directly to Gypsum Board

**BLD-SPACER-12** Pack of 5 1/2" Spacer Recommended for use with 1/2" Gypsum Board When Mounting Track Directly to Gypsum Board

Soft Close available. See pages 275-277 for more information.

**PEMCO**  
**ASSA ABLOY**

Experience a safer  
and more open world

800-824-3018 | www.pemko.com

Check the web site for the up-to-date catalog

Copyright © 2015-2022, ASSA ABLOY Accessories and Door Controls Group, Inc., an ASSA ABLOY Group company. All rights reserved. Reproduction in whole or in part without the express written permission of ASSA ABLOY Accessories and Door Controls Group, Inc. is prohibited.

# DESIGNER SERIES FLAT TRACK SLIDING DOOR HARDWARE SYSTEM

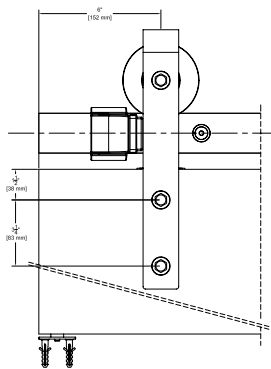
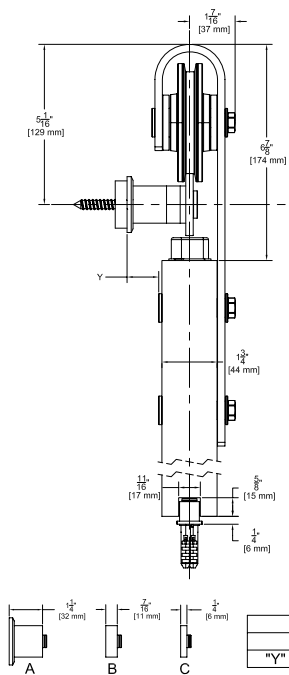
## DSG-FT-04 FOR WOOD DOORS

**For Sliding Panels up to 500 lbs.**

Only for doors 1 1/2" to 2 1/4" thick.



Shown in Wrought Black finish



Experience a safer and more open world

### Configurations:

- Single
- Bi-parting

### Installations:

- Side Wall Mount (only)

### Features:

- Solid steel wheel with a polymer resin contact surface for smooth operation
- 500 lb. panel capacity
- 5 year warranty

### Finishes:

- Black Suede Powder Coated Steel (DSG-FT-04BSP)
- Industrial Steel Zinc Coated Steel (DSG-FT-04IS)
- Wrought Black Powder Coated Steel (DSG-FT-04WB)
- 10BE Satin Bronze Powder Coated Steel (DSG-FT-04BZ)
- Stainless Steel (DSG-FT-04SS)

### DSG-FT-04 Kits include:

- 1 ea **DSG-FT-04** Steel Flat Track
- 7 to 9 ea **DSG-100** Steel Track Brackets
- 7 to 9 ea **DSG-89** Steel Track Fasteners
- 2 ea **DSG-04** Steel Top Mount Hangers
- 2 ea **DSG-78** Anti-Rise Blocks
- 1 ea **DSG-106** Mortised Type Roller Guide
- 2 ea **DSG-12** Steel Track Stops Mounting Hardware

Standard Kit Sizes			
PART NUMBER	MATERIAL	TRACK LENGTH	DOOR WIDTH
DSG-FT-04IS/6	Industrial Steel	72"	36"
DSG-FT-04IS/8	Industrial Steel	96"	48"
DSG-FT-04BSP/6	Black Suede Powder Coated Steel	72"	36"
DSG-FT-04BSP/8	Black Suede Powder Coated Steel	96"	48"
DSG-FT-04WB/6	Wrought Black Powder Coated Steel	72"	36"
DSG-FT-04WB/8	Wrought Black Powder Coated Steel	96"	48"
DSG-FT-04BZ/6	10BE Satin Bronze Powder Coated Steel	72"	36"
DSG-FT-04BZ/8	10BE Satin Bronze Powder Coated Steel	96"	48"
DSG-FT-04SS/6	Stainless Steel	72"	36"
DSG-FT-04SS/8	Stainless Steel	96"	48"

Custom lengths are available. Please contact the factory to order. Industrial Steel maximum track length is 8'. Lengths over 8' will be spliced by factory.

### Options:

- Hardware Pack (One Door)
- Side Wall Mortised Type Guide
- 5/8" Spacer
- 1/2" Spacer

### DSG-FT04-\_/PACK

#### 102WN-KIT

**BLD-SPACER-58** Pack of 5 5/8" Spacer Recommended for use with 5/8" Gypsum Board When Mounting Track Directly to Gypsum Board

**BLD-SPACER-12** Pack of 5 1/2" Spacer Recommended for use with 1/2" Gypsum Board When Mounting Track Directly to Gypsum Board

Soft Close available. See pages 275-277 for more information.

800-824-3018 | www.pemko.com  
Check the web site for the up-to-date catalog

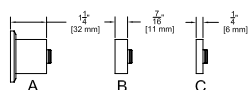
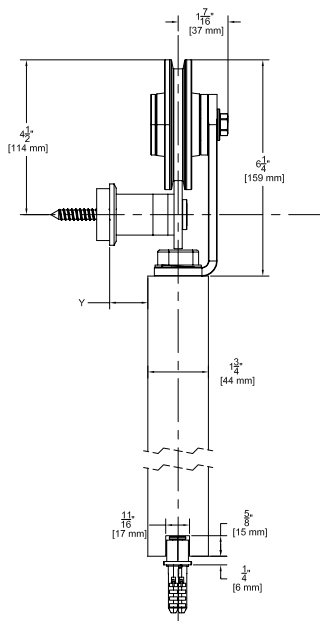
# DESIGNER SERIES FLAT TRACK SLIDING DOOR HARDWARE SYSTEM

## DSG-FT-05 FOR WOOD DOORS

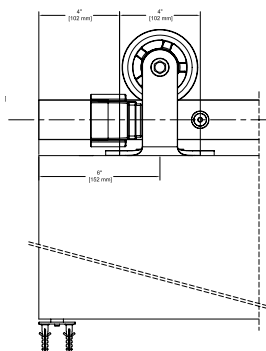
For Sliding Panels up to 500 lbs.



Shown in Industrial Steel finish



Wall Bracket Combination				
	A	A+C	A+B	A+B+C
"Y"	1/2"	3/4"	1"	1-1/4"



### Configurations:

- Single
- Bi-parting

### Installations:

- Side Wall Mount (only)

### Features:

- Solid steel wheel with a polymer resin contact surface for smooth operation
- 500 lb. panel capacity
- 5 year warranty

### Finishes:

- Black Suede Powder Coated Steel (DSG-FT-05BSP)
- Industrial Steel Zinc Coated Steel (DSG-FT-05IS)
- Wrought Black Powder Coated Steel (DSG-FT-05WB)
- 10BE Satin Bronze Powder Coated Steel (DSG-FT-05BZ)
- Stainless Steel (DSG-FT-05SS)

### DSG-FT-05 Kits include:

- 1 ea **DSG-FT-/\_** Steel Flat Track
- 7 to 9 ea **DSG-100** Steel Track Brackets
- 7 to 9 ea **DSG-89** Steel Track Fasteners
- 2 ea **DSG-05-/\_** Steel Top Mount Hangers
- 2 ea **DSG-78** Anti-Rise Blocks
- 1 ea **DSG-106** Mortised Type Roller Guide
- 2 ea **DSG-12-/\_** Steel Track Stops Mounting Hardware

Standard Kit Sizes			
PART NUMBER	MATERIAL	TRACK LENGTH	DOOR WIDTH
DSG-FT-05IS/6	Industrial Steel	72"	36"
DSG-FT-05IS/8	Industrial Steel	96"	48"
DSG-FT-05BSP/6	Black Suede Powder Coated Steel	72"	36"
DSG-FT-05BSP/8	Black Suede Powder Coated Steel	96"	48"
DSG-FT-05WB/6	Wrought Black Powder Coated Steel	72"	36"
DSG-FT-05WB/8	Wrought Black Powder Coated Steel	96"	48"
DSG-FT-05BZ/6	10BE Satin Bronze Powder Coated Steel	72"	36"
DSG-FT-05BZ/8	10BE Satin Bronze Powder Coated Steel	96"	48"
DSG-FT-05SS/6	Stainless Steel	72"	36"
DSG-FT-05SS/8	Stainless Steel	96"	48"

Custom lengths are available. Please contact the factory to order. Industrial Steel maximum track length is 8'. Lengths over 8' will be spliced by factory.

### Options:

Hardware Pack (One Door)

Side Wall Mortised Type Guide

5/8" Spacer

1/2" Spacer

**DSG-FT05-\_/PACK**

**102WN-KIT**

**BLD-SPACER-58** Pack of 5 5/8" Spacer Recommended for use with 5/8" Gypsum Board When Mounting Track Directly to Gypsum Board

**BLD-SPACER-12** Pack of 5 1/2" Spacer Recommended for use with 1/2" Gypsum Board When Mounting Track Directly to Gypsum Board

Soft Close available. See pages 275-277 for more information.

800-824-3018 | www.pemko.com

Check the web site for the up-to-date catalog

Copyright © 2015-2022, ASSA ABLOY Accessories and Door Controls Group, Inc., an ASSA ABLOY Group company. All rights reserved. Reproduction in whole or in part without the express written permission of ASSA ABLOY Accessories and Door Controls Group, Inc. is prohibited.

**PEMKO**  
**ASSA ABLOY**

Experience a safer  
and more open world

# DESIGNER SERIES FLAT TRACK SLIDING DOOR HARDWARE SYSTEM

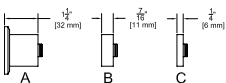
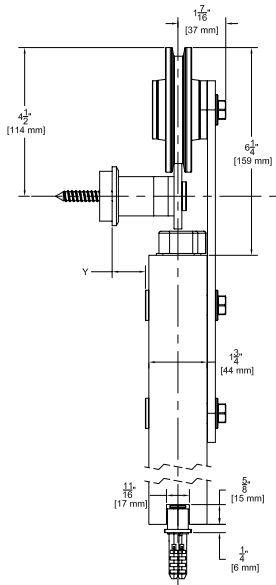
## DSG-FT-06 FOR WOOD DOORS

### For Sliding Panels up to 500 lbs.

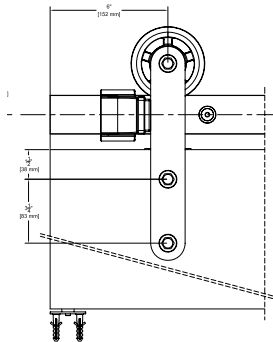
Only for doors 1 1/2" to 2 1/4" thick.



Shown in Stainless Steel with a solid wheel. DSG-FT-06 in all other finishes have spoked wheels.



Wall Bracket Combination				
	A	A+C	A+B	A+B+C
"Y"	7/16"	11/16"	7/8"	1-1/8"



Experience a safer and more open world

### Configurations:

- Single
- Bi-parting

### Installations:

- Side Wall Mount (only)

### Features:

- Solid steel wheel with a polymer resin contact surface for smooth operation
- 500 lb. panel capacity
- 5 year warranty

### Finishes:

- Black Black Suede Powder Coated Steel (DSG-FT-06BSP)
- Industrial Steel Zinc Coated Steel (DSG-FT-06IS)
- Wrought Black Powder Coated Steel (DSG-FT-06WB)
- 10BE Satin Bronze Powder Coated Steel (DSG-FT-06BZ)
- Stainless Steel (DSG-FT-06SS)

### DSG-FT-06 Kits include:

- 1 ea **DSG-FT-\_\_** Steel Flat Track
- 7 to 9 ea **DSG-100-\_\_** Steel Track Brackets
- 7 to 9 ea **DSG-89-\_\_** Steel Track Fasteners
- 2 ea **DSG-06-\_\_** Steel Top Mount Hangers
- 2 ea **DSG-78** Anti-Rise Blocks
- 1 ea **DSG-106** Mortised Type Roller Guide
- 2 ea **DSG-12-\_\_** Steel Track Stops Mounting Hardware

Standard Kit Sizes			
PART NUMBER	MATERIAL	TRACK LENGTH	DOOR WIDTH
DSG-FT-06IS/6	Industrial Steel	72"	36"
DSG-FT-06IS/8	Industrial Steel	96"	48"
DSG-FT-06BSP/6	Black Suede Powder Coated Steel	72"	36"
DSG-FT-06BSP/8	Black Suede Powder Coated Steel	96"	48"
DSG-FT-06WB/6	Wrought Black Powder Coated Steel	72"	36"
DSG-FT-06WB/8	Wrought Black Powder Coated Steel	96"	48"
DSG-FT-06BZ/6	10BE Satin Bronze Powder Coated Steel	72"	36"
DSG-FT-06BZ/8	10BE Satin Bronze Powder Coated Steel	96"	48"
DSG-FT-06SS/6	Stainless Steel	72"	36"
DSG-FT-06SS/8	Stainless Steel	96"	48"

Custom lengths are available. Please contact the factory to order. Industrial Steel maximum track length is 8'. Lengths over 8' will be spliced by factory.

### Options:

- Hardware Pack (One Door)
- Side Wall Mortised Type Guide
- 5/8" Spacer
- 1/2" Spacer

### DSG-FT06-\_\_ /PACK

#### 102WN-KIT

**BLD-SPACER-58** Pack of 5 5/8" Spacer Recommended for use with 5/8" Gypsum Board When Mounting Track Directly to Gypsum Board

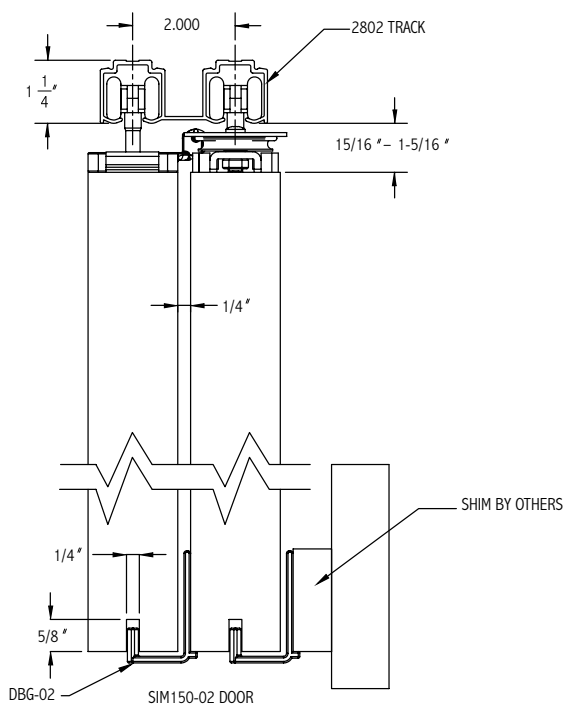
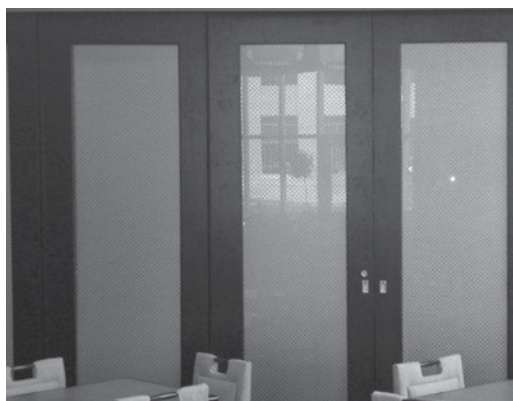
**BLD-SPACER-12** Pack of 5 1/2" Spacer Recommended for use with 1/2" Gypsum Board When Mounting Track Directly to Gypsum Board

Soft Close available. See pages 275-277 for more information.

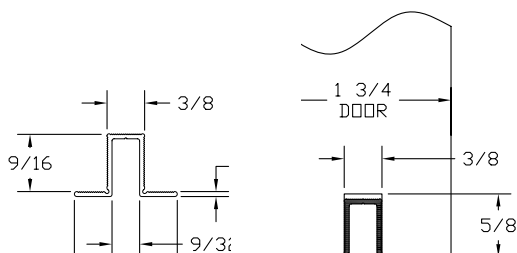


# SIMULTANEOUS ACTING SLIDING DOOR SYSTEM SIM 150 FOR 2 DOOR SYSTEMS

For Sliding Panels up to 176 lbs.



## Alternate Route for EPD3BL



### Configurations:

- Bi-part Telescoping

### Installations:

- Overhead Mount

### Features:

- Easy to install with self aligning components
- Telescoping panels glide along the track
- Doors retract into storage pockets when not in use
- 5 year warranty

### Finishes:

- Clear (C)
- Dark Bronze (D)

## Pulley System Kit Includes:

- Pre-Assembled Pulley System
- In-Track Stops and Hangers
- Door Bottom Guides
- Floor Stops, Back Stop and End Plates
- Installation Fasteners

Single Extrusion Aluminum Track must be ordered separately.

Specify door width when ordering. Default door overlap is 3". Any other overlap must be specified (Min. overlap is 2").

Note: All doors must be of equal width.

### Pulley System Kits

PART NUMBER	DOOR WIDTH
SIM150-2-LH/25-32	25" - 32"
SIM150-2-LH/33-40	33" - 40"
SIM150-2-LH/41-48	41" - 48"
SIM150-2-RH/25-32	25" - 32"
SIM150-2-RH/33-40	33" - 40"
SIM150-2-RH/41-48	41" - 48"

### System Track Ordered Separately

TRACK	FINISH	TRACK LENGTH
2802C	Clear	up to 147"
2802D	Dark	up to 185"

### Options:

Lock Kit- includes lock with edge pull, and cup pull, **SIM150-LOCKKIT**

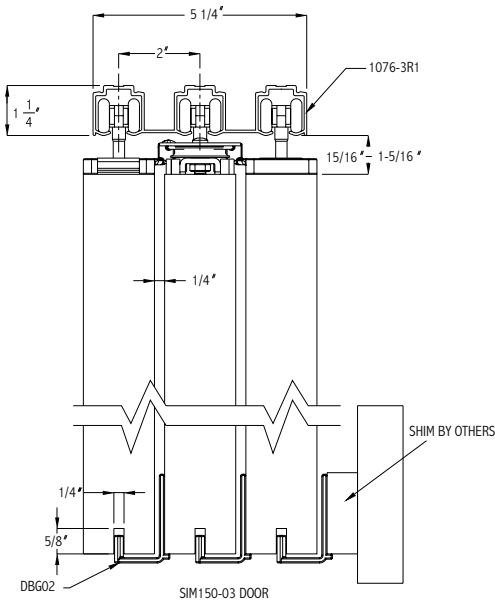
Bolt Kit- includes surface bolt, dust-proof strike, cup pull, and edge pull, **SIM150-BOLTKIT**

Snap-on Fascia Available **F134**

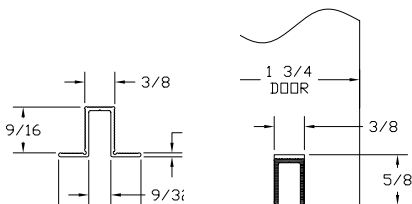
Polypropylene Guide Rail **EPD3BL**

# SIMULTANEOUS ACTING SLIDING DOOR SYSTEM SIM 150 FOR 3 DOOR SYSTEMS

For Sliding Panels up to 176 lbs.



### Alternate Route for EPD3BL



### Configurations:

- Bi-part Telescoping

### Installations:

- Overhead Mount

### Features:

- Easy to install with self aligning components
- Telescoping panels glide along the track
- Doors retract into storage pockets when not in use
- 5 year warranty

### Finishes:

- Clear (C)
- Dark Bronze (D)

### Pulley System Kit Includes:

- Pre-Assembled Pulley System
- In-Track Stops and Hangers
- Door Bottom Guides
- Floor Stops, Back Stop and End Plates
- Installation Fasteners

Single Extrusion Aluminum Track must be ordered separately.

Specify door width when ordering. Default door overlap is 3". Any other overlap must be specified (Min. overlap is 2").

Note: All doors must be of equal width.

### Pulley System Kits

PART NUMBER	DOOR WIDTH
SIM150-3-LH/25-32	25" - 32"
SIM150-3-LH/33-40	33" - 40"
SIM150-3-LH/41-48	41" - 48"
SIM150-3-RH/25-32	25" - 32"
SIM150-3-RH/33-40	33" - 40"
SIM150-3-RH/41-48	41" - 48"

### System Track Ordered Separately

TRACK	FINISH	TRACK LENGTH
2802C and 280C	Clear	up to 144"
2802D and 280D	Dark	up to 144"

### Options:

Lock Kit- includes lock with edge pull, and cup pull, **SIM150-LOCKKIT**

Bolt Kit- includes surface bolt, dust-proof strike, cup pull, and edge pull, **SIM150-BOLTKIT**

Snap-on Fascia Available **F134**

Polypropylene Guide Rail **EPD3BL**



Experience a safer  
and more open world



# CASCADING SLIDING DOOR SYSTEM

For Sliding Panels up to 200 lbs. each.



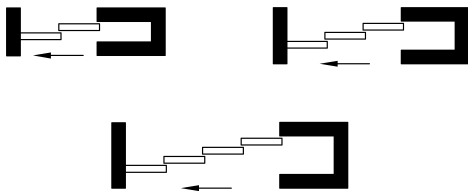
Note: All doors must be of equal width. Minimum overlap between doors is 2".

## Cased Opening

NOTE: Aluminum "T" Guide **102PB** Shown Under Options Must be Ordered Separately for Fixed Panel in Cased Opening Application



## Pocket



## Side Wall Mount

NOTE: Side Wall track Brackets Shown Under Options Must be Ordered Separately for Side Wall Mount Openings



## Configurations:

- Bi-part Telescoping
- Single Direction Telescoping

## Features:

- Opening and closing of lead door results in the trailing doors to follow because of interlocking hardware at door top edges
- Easy to install with self aligning components on 1 3/4" and 1 3/8" thick doors
- Telescoping panels glide along the track
- Solid steel catches with rubber bumpers ensure durable yet quiet operation
- 200 lb. per door weight capacity
- 5 year warranty

## Cascading Kit Includes:

**CAS-05** Catches - Mechanical Catch system - 2 Per Door

**601H** - Track Stops - 2 Per Door

**H222R1** - Hangers - 2 Per Door

**DBG-02R1** - Door Bottom Guides - 1 Per Door

**TELS-23** - End Plates - 2 Per Door

**2802C** - Single Extrusion - Dual Track

**280C** - Single Extrusion - Single Track

**C1076-TC** - Track Connector for CAS200A-4/\_ Kits

**EPD3-BL** - Polypropylene Guide Rails - 1 Per Door

**WRENCH14** - 1 Hanger Wrench Hardware Fasteners

Cascading System Kits			
PART NUMBER	TRACK LENGTH	# OF DOORS	INSTALLATION
CAS200A-2/6	6'	2	Pocket Side Wall
CAS200A-2/8	8'	2	
CAS200A-2/10	10'	2	
CAS200A-2/12	12'	2	Pocket Cased Opening Side Wall
CAS200A-3/8	8'	3	
CAS200A-3/10	10'	3	
CAS200A-3/12	12'	3	
CAS200A-3/16	16'	3	
CAS200A-4/8	8'	4	Pocket Cased Opening
CAS200A-4/10	10'	4	
CAS200A-4/12	12'	4	
CAS200A-4/16	16'	4	

For special number of doors and for dark bronze track, please contact Technical Support for more information

## Options:

Lock Kit	<b>SIM150-LOCKKIT</b> includes lock with edge pull and cup pull
Bolt Kit	<b>SIM150-BOLTKIT</b> includes surface bolt, dust-proof strike, cup pull, and edge pull
Fascia	<b>F134C</b> Snap-on Fascia
Splice Kit	<b>C1076-2SPLKIT</b> for use with Bi-Parting systems and 2802C Track <b>C1076-3SPLKIT</b> for use with Bi-Parting systems and 2803C Track
Back Stop	<b>TELS-25</b> for use with pocket systems when no access to in track stops in pocket
Aluminum "T" Guide	<b>102PB</b> for use with fixed panel in cased opening applications
Side Wall Track Bracket	<b>2812KIT</b> for use with 2802C Track (1 for every 12" of track) <b>2813KIT</b> for use with 2803C Track (1 for every 12" of track)
Side Wall Joining Bracket	<b>2813-5KIT</b> for use with Side Wall Bi-Parting systems and <b>2803C</b> Track

**PEMKO**  
**ASSA ABLOY**

Experience a safer  
and more open world

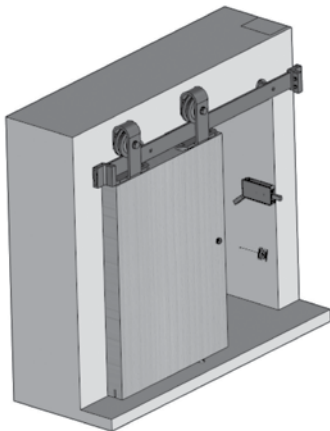
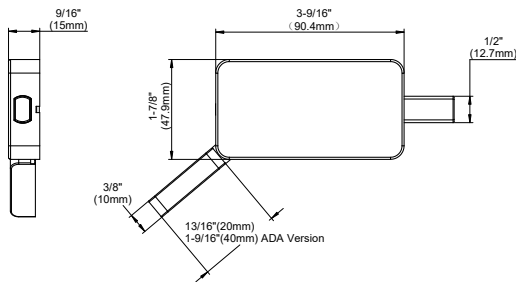
800-824-3018 | www.pemko.com

Check the web site for the up-to-date catalog

Copyright © 2015-2022, ASSA ABLOY Accessories and Door Controls Group, Inc., an ASSA ABLOY Group company. All rights reserved. Reproduction in whole or in part without the express written permission of ASSA ABLOY Accessories and Door Controls Group, Inc. is prohibited.

# PRIVACY BARN DOOR LOCK

## PEMKO SDL SERIES FOR SURFACE MOUNTED SLIDING DOORS



NOTE: For doors with 3/8" - 3/4" clearance between the wall or frame & door face

### Configurations:

- Single

### Installations:

- Side Wall Mount (only)
- For Side Wall Mounted Sliding Door Openings only
- New Construction
- Retro
- ADA

### Features:

- Quick and easy installation
- Handing is reversible in the field
- ADA option available
- Privacy Function
- Includes Emergency Release Key
- Doors can be prepped in the field
- 5 year warranty

### Finishes:

- Brushed Stainless Steel
- Polished Stainless Steel
- Black Graphite
- Contact factory if custom finish is required for more information

Standard Kit Sizes		
PART NUMBER	MATERIAL	ADA COMPLIANT
SDL32D	Brushed Stainless	
SDL32	Polished Stainless	
SDL19	Black Graphite	
SDL32D-ADA	Brushed Stainless	•
SDL32-ADA	Polished Stainless	•
SDL19-ADA	Black Graphite	•

Compatible with the following Pemko sliding door kits:

- W60 Series
- W70 Series (with 3/8" to 3/4" clearance)
- W80 Series (with 3/8" to 3/4" clearance)
- W90 Series (with 3/8" to 3/4" clearance)
- W100 Series
- Side Wall Box Track Series (SWT)
- BLD Flat Track Series
- DSG Flat Track Series (with 3/8" to 3/4" clearance)



Experience a safer and more open world

800-824-3018 | [www.pemko.com](http://www.pemko.com)  
Check the web site for the up-to-date catalog

Copyright © 2015-2022, ASSA ABLOY Accessories and Door Controls Group, Inc., an ASSA ABLOY Group company. All rights reserved. Reproduction in whole or in part without the express written permission of ASSA ABLOY Accessories and Door Controls Group, Inc. is prohibited.

# OPTIONS & ACCESSORIES

A visual guide to various parts

## Mounting Brackets

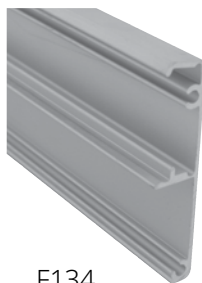


281  
(Sold in 5 packs, PC2815)



2812

## Fascia



F134

## End plates

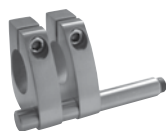


K134EP

## Stops



TELS-14KIT



STOP1  
W70 and G70 Kits only



PFBS



601H

## Guides



102N



PFBG-4



106R/94



102WA



PFBG-8



106N/94

## Pulls and Flush Bolts

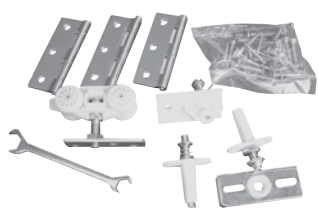


503SF

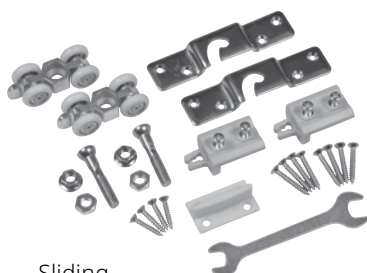


FB150SS

## Hardware Kits



Folding  
HF2/100 Pack



Sliding  
H200PACK

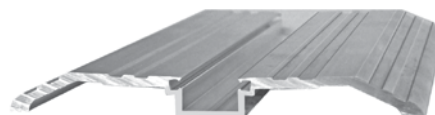
## Bottom Channel



94A



2802BT



971A

## Privacy Seals



PEMKOSFSET1



PEMKOSFSET2



PEMKOSFSET3



PEMKOSFSET4



PEMKOSFSET5

For more information, see page 202

800-824-3018 | [www.pemko.com](http://www.pemko.com)

Check the web site for the up-to-date catalog

Copyright © 2015-2022, ASSA ABLOY Accessories and Door Controls Group, Inc., an ASSA ABLOY Group company. All rights reserved. Reproduction in whole or in part without the express written permission of ASSA ABLOY Accessories and Door Controls Group, Inc. is prohibited.

**PEMKO**  
**ASSA ABLOY**

Experience a safer  
and more open world

## SOFT CLOSE FOR PEMKO BOX TRACK SYSTEMS

## For Pemko H200, H180, SHS80, HBP200, and Side Wall Track (SWT) systems

Minimum Door Width 28" When Using Dual or Single Devices.

For doors weighing 88-132 lbs.		For doors weighing 133-176 lbs.	
ITEM #	DESCRIPTION	ITEM #	DESCRIPTION
H180 /6-1411-1	H180_ 6' Single Device	H180 /6-1413-1	H180_ 6' Single Device
H180 /8-1411-1	H180_ 8' Single Device	H180 /8-1413-1	H180_ 8' Single Device
H180 /10-1411-1	H180_ 10' Single Device	H180 /10-1413-1	H180_ 10' Single Device
H180 /12-1411-1	H180_ 12' Single Device	H180 /12-1413-1	H180_ 12' Single Device
H180 /6-1411-2	H180_ 6' Dual Devices	H180 /6-1413-2	H180_ 6' Dual Devices
H180 /8-1411-2	H180_ 8' Dual Devices	H180 /8-1413-2	H180_ 8' Dual Devices
H180 /10-1411-2	H180_ 10' Dual Devices	H180 /10-1413-2	H180_ 10' Dual Devices
H180 /12-1411-2	H180_ 12' Dual Devices	H180 /12-1413-2	H180_ 12' Dual Devices
SHS80 /6-1411-1	SHS80_ 6' Single Device	SHS80 /6-1413-1	SHS80_ 6' Single Device
SHS80 /8-1411-1	SHS80_ 8' Single Device	SHS80 /8-1413-1	SHS80_ 8' Single Device
SHS80 /6-1411-2	SHS80_ 6' Dual Devices	SHS80 /6-1413-2	SHS80_ 6' Dual Devices
SHS80 /8-1411-2	SHS80_ 8' Dual Devices	SHS80 /8-1413-2	SHS80_ 8' Dual Devices
H200 /6-1411-1	H200_ 6' Single Device	H200 /6-1413-1	H200_ 6' Single Device
H200 /8-1411-1	H200_ 8' Single Device	H200 /8-1413-1	H200_ 8' Single Device
H200 /10-1411-1	H200_ 10' Single Device	H200 /10-1413-1	H200_ 10' Single Device
H200 /12-1411-1	H200_ 12' Single Device	H200 /12-1413-1	H200_ 12' Single Device
H200 /6-1411-2	H200_ 6' Dual Devices	H200 /6-1413-2	H200_ 6' Dual Devices
H200 /8-1411-2	H200_ 8' Dual Devices	H200 /8-1413-2	H200_ 8' Dual Devices
H200 /10-1411-2	H200_ 10' Dual Devices	H200 /10-1413-2	H200_ 10' Dual Devices
H200 /12-1411-2	H200_ 12' Dual Devices	H200 /12-1413-2	H200_ 12' Dual Devices
280 -SWTKIT/6-1411-1	280 -SWTKIT 6' Single Device	280 -SWTKIT/6-1413-1	280 -SWTKIT 6' Single Device
280 -SWTKIT/8-1411-1	280 -SWTKIT 8' Single Device	280 -SWTKIT/8-1413-1	280 -SWTKIT 8' Single Device
280 -SWTKIT/12-1411-1	280 -SWTKIT 12' One Device Per Door	280 -SWTKIT/12-1413-1	280 -SWTKIT 12' One Device per Door
280 -SWTKIT/6-1411-2	280 -SWTKIT 6' Dual Devices	280 -SWTKIT/6-1413-2	280 -SWTKIT 6' Dual Devices
280 -SWTKIT/8-1411-2	280 -SWTKIT 8' Dual Devices	280 -SWTKIT/8-1413-2	280 -SWTKIT 8' Dual Devices
280 -SWTKIT/12-1411-2	280 -SWTKIT 12' Two Devices Per Door	280 -SWTKIT/12-1413-2	280 -SWTKIT 12' Two Devices per Door
RF280 -SWTK/6-1411-1	RF280 -SWTK 6' Single Device	RF280 -SWTK/6-1413-1	RF280 -SWTK 6' Single Device
RF280 -SWTK/8-1411-1	RF280 -SWTK 8' Single Device	RF280 -SWTK/8-1413-1	RF280 -SWTK 8' Single Device
RF280 -SWTK/12-1411-1	RF280 -SWTK 12' One Device Per Door	RF280 -SWTK/12-1413-1	RF280 -SWTK 12' One Device per Door
RF280 -SWTK/6-1411-2	RF280 -SWTK 6' Dual Devices	RF280 -SWTK/6-1413-2	RF280 -SWTK 6' Dual Devices
RF280 -SWTK/8-1411-2	RF280 -SWTK 8' Dual Devices	RF280 -SWTK/8-1413-2	RF280 -SWTK 8' Dual Devices
RF280 -SWTK/12-1411-2	RF280 -SWTK 12' Two Devices Per Door	RF280 -SWTK/12-1413-2	RF280 -SWTK 12' Two Devices per Door
SF280 -SWTK/6-1411-1	SF280 -SWTK 6' Single Device	SF280 -SWTK/6-1413-1	SF280 -SWTK 6' Single Device
SF280 -SWTK/8-1411-1	SF280 -SWTK 8' Single Device	SF280 -SWTK/8-1413-1	SF280 -SWTK 8' Single Device
SF280 -SWTK/12-1411-1	SF280 -SWTK 12' One Device Per Door	SF280 -SWTK/12-1413-1	SF280 -SWTK 12' One Device per Door
SF280 -SWTK/6-1411-2	SF280 -SWTK 6' Dual Devices	SF280 -SWTK/6-1413-2	SF280 -SWTK 6' Dual Devices
SF280 -SWTK/8-1411-2	SF280 -SWTK 8' Dual Devices	SF280 -SWTK/8-1413-2	SF280 -SWTK 8' Dual Devices
SF280 -SWTK/12-1411-2	SF280 -SWTK 12' Two Devices Per Door	SF280 -SWTK/12-1413-2	SF280 -SWTK 12' Two Devices per Door
HBP200 /6-1411-1	HBP200_ 6' One Device Per Door	HBP200 /6-1413-1	HBP200_ 6' One Device Per Door
HBP200 /8-1411-1	HBP200_ 8' One Device Per Door	HBP200 /8-1413-1	HBP200_ 8' One Device Per Door
HBP200 /10-1411-1	HBP200_ 10' One Device Per Door	HBP200 /10-1413-1	HBP200_ 10' One Device Per Door
HBP200 /12-1411-1	HBP200_ 12' One Device Per Door	HBP200 /12-1413-1	HBP200_ 12' One Device Per Door
HBP200 /6-1411-2	HBP200_ 6' Two Devices Per Door	HBP200 /6-1413-2	HBP200_ 6' Two Devices Per Door
HBP200 /8-1411-2	HBP200_ 8' Two Devices Per Door	HBP200 /8-1413-2	HBP200_ 8' Two Devices Per Door
HBP200 /10-1411-2	HBP200_ 10' Two Devices Per Door	HBP200 /10-1413-2	HBP200_ 10' Two Devices Per Door
HBP200 /12-1411-2	HBP200_ 12' Two Devices Per Door	HBP200 /12-1413-2	HBP200_ 12' Two Devices Per Door

**PEMKO**  
**ASSA ABLOY**

Experience a safer  
and more open world

800-824-3018 | [www.pemko.com](http://www.pemko.com)  
Check the web site for the up-to-date catalog

Copyright © 2015-2022, ASSA ABLOY Accessories and Door Controls Group, Inc., an ASSA ABLOY Group company. All rights reserved.  
Reproduction in whole or in part without the express written permission of ASSA ABLOY Accessories and Door Controls Group, Inc. is prohibited.

## SOFT CLOSE FOR PEMKO BOX TRACK SYSTEMS *(Continued)*

### For Pemko H200, H180, SHS80, HBP200, and Side Wall Track (SWT) systems

Minimum Door Width 28" When Using Dual or Single Devices.

For doors weighing 177-200 lbs.	
ITEM #	DESCRIPTION
H180 /6-1418-1	H180 6' Single Device
H180 /8-1418-1	H180 8' Single Device
H180 /10-1418-1	H180 10' Single Device
H180 /12-1418-1	H180 12' Single Device
H180 /6-1418-2	H180 6' Dual Devices
H180 /8-1418-2	H180 8' Dual Devices
H180 /10-1418-2	H180 10' Dual Devices
H180 /12-1418-2	H180 12' Dual Devices
SHS80 /6-1418-1	SHS80 6' Single Device
SHS80 /8-1418-1	SHS80 8' Single Device
SHS80 /6-1418-2	SHS80 6' Dual Devices
SHS80 /8-1418-2	SHS80 8' Dual Devices
H200 /6-1418-1	H200 6' Single Device
H200 /8-1418-1	H200 8' Single Device
H200 /10-1418-1	H200 10' Single Device
H200 /12-1418-1	H200 12' Single Device
H200 /6-1418-2	H200 6' Dual Devices
H200 /8-1418-2	H200 8' Dual Devices
H200 /10-1418-2	H200 10' Dual Devices
H200 /12-1418-2	H200 12' Dual Devices
280 -SWTKIT/6-1418-1	280 -SWTKIT 6' Single Device
280 -SWTKIT/8-1418-1	280 -SWTKIT 8' Single Device
280 -SWTKIT/12-1418-1	280 -SWTKIT 12' One Device Per Door
280 -SWTKIT/6-1418-2	280 -SWTKIT 6' Dual Devices
280 -SWTKIT/8-1418-2	280 -SWTKIT 8' Dual Devices
280 -SWTKIT/12-1418-2	280 -SWTKIT 12' Two Devices Per Door
RF280 -SWTK/6-1418-1	RF280 -SWTK 6' Single Device
RF280 -SWTK/8-1418-1	RF280 -SWTK 8' Single Device
RF280 -SWTK/12-1418-1	RF280 -SWTK 12' One Device Per Door
RF280 -SWTK/6-1418-2	RF280 -SWTK 6' Dual Devices
RF280 -SWTK/8-1418-2	RF280 -SWTK 8' Dual Devices
RF280 -SWTK/12-1418-2	RF280 -SWTK 12' Two Devices Per Door
SF280 -SWTK/6-1418-1	SF280 -SWTK 6' Single Device
SF280 -SWTK/8-1418-1	SF280 -SWTK 8' Single Device
SF280 -SWTK/12-1418-1	SF280 -SWTK 12' One Device Per Door
SF280 -SWTK/6-1418-2	SF280 -SWTK 6' Dual Devices
SF280 -SWTK/8-1418-2	SF280 -SWTK 8' Dual Devices
SF280 -SWTK/12-1418-2	SF280 -SWTK 12' Two Devices Per Door
HBP200 /6-1418-1	HBP200 6' One Device Per Door
HBP200 /8-1418-1	HBP200 8' One Device Per Door
HBP200 /10-1418-1	HBP200 10' One Device Per Door
HBP200 /12-1418-1	HBP200 12' One Device Per Door
HBP200 /6-1418-2	HBP200 6' Two Devices Per Door
HBP200 /8-1418-2	HBP200 8' Two Devices Per Door
HBP200 /10-1418-2	HBP200 10' Two Devices Per Door
HBP200 /12-1418-2	HBP200 12' Two Devices Per Door

## SOFT CLOSE FOR PEMKO FLAT TRACK SYSTEMS

### For Pemko Designer Series Flat Track Sliding Door Hardware

Minimum Door Width Using Single Device 15".

22" Minimum Door Width When Using Dual Devices.

For doors weighing 88 - 132 lbs.	
ITEM #	DESCRIPTION
DSG-FT-03 /6-1411-1	DSG-FT-03 6' Single Soft Close Device
DSG-FT-03 /8-1411-1	DSG-FT-03 8' Single Soft Close Device
DSG-FT-03 /6-1411-2	DSG-FT-03 6' Dual Soft Close Device
DSG-FT-03 /8-1411-2	DSG-FT-03 8' Dual Soft Close Device
DSG-FT-04 /6-1411-1	DSG-FT-04 6' Single Soft Close Device
DSG-FT-04 /8-1411-1	DSG-FT-04 8' Single Soft Close Device
DSG-FT-04 /6-1411-2	DSG-FT-04 6' Dual Soft Close Devices
DSG-FT-04 /8-1411-2	DSG-FT-04 8' Dual Soft Close Devices
DSG-FT-05 /6-1411-1	DSG-FT-05 6' Single Soft Close Device
DSG-FT-05 /8-1411-1	DSG-FT-05 8' Single Soft Close Device
DSG-FT-05 /6-1411-2	DSG-FT-05 6' Dual Soft Close Devices
DSG-FT-05 /8-1411-2	DSG-FT-05 8' Dual Soft Close Devices
DSG-FT-06 /6-1411-1	DSG-FT-06 6' Single Soft Close Device
DSG-FT-06 /8-1411-1	DSG-FT-06 8' Single Soft Close Device
DSG-FT-06 /6-1411-2	DSG-FT-06 6' Dual Soft Close Devices
DSG-FT-06 /8-1411-2	DSG-FT-06 8' Dual Soft Close Devices

For doors weighing 133-176 lbs.	
ITEM #	DESCRIPTION
DSG-FT-03 /6-1413-1	DSG-FT-03 6' Single Soft Close Device
DSG-FT-03 /8-1413-1	DSG-FT-03 8' Single Soft Close Device
DSG-FT-03 /6-1413-2	DSG-FT-03 6' Dual Soft Close Device
DSG-FT-03 /8-1413-2	DSG-FT-03 8' Dual Soft Close Device
DSG-FT-04 /6-1413-1	DSG-FT-04 6' Single Soft Close Device
DSG-FT-04 /8-1413-1	DSG-FT-04 8' Single Soft Close Device
DSG-FT-04 /6-1413-2	DSG-FT-04 6' Dual Soft Close Devices
DSG-FT-04 /8-1413-2	DSG-FT-04 8' Dual Soft Close Devices
DSG-FT-05 /6-1413-1	DSG-FT-05 6' Single Soft Close Device
DSG-FT-05 /8-1413-1	DSG-FT-05 8' Single Soft Close Device
DSG-FT-05 /6-1413-2	DSG-FT-05 6' Dual Soft Close Devices
DSG-FT-05 /8-1413-2	DSG-FT-05 8' Dual Soft Close Devices
DSG-FT-06 /6-1413-1	DSG-FT-06 6' Single Soft Close Device
DSG-FT-06 /8-1413-1	DSG-FT-06 8' Single Soft Close Device
DSG-FT-06 /6-1413-2	DSG-FT-06 6' Dual Soft Close Devices
DSG-FT-06 /8-1413-2	DSG-FT-06 8' Dual Soft Close Devices

For doors weighing 177-240 lbs.	
ITEM #	DESCRIPTION
DSG-FT-03 /6-1418-1	DSG-FT-03 6' Single Soft Close Device
DSG-FT-03 /8-1418-1	DSG-FT-03 8' Single Soft Close Device
DSG-FT-03 /6-1418-2	DSG-FT-03 6' Dual Soft Close Device
DSG-FT-03 /8-1418-2	DSG-FT-03 8' Dual Soft Close Device
DSG-FT-04 /6-1418-1	DSG-FT-04 6' Single Soft Close Device
DSG-FT-04 /8-1418-1	DSG-FT-04 8' Single Soft Close Device
DSG-FT-04 /6-1418-2	DSG-FT-04 6' Dual Soft Close Devices
DSG-FT-04 /8-1418-2	DSG-FT-04 8' Dual Soft Close Devices
DSG-FT-05 /6-1418-1	DSG-FT-05 6' Single Soft Close Device
DSG-FT-05 /8-1418-1	DSG-FT-05 8' Single Soft Close Device
DSG-FT-05 /6-1418-2	DSG-FT-05 6' Dual Soft Close Devices
DSG-FT-05 /8-1418-2	DSG-FT-05 8' Dual Soft Close Devices
DSG-FT-06 /6-1418-1	DSG-FT-06 6' Single Soft Close Device
DSG-FT-06 /8-1418-1	DSG-FT-06 8' Single Soft Close Device
DSG-FT-06 /6-1418-2	DSG-FT-06 6' Dual Soft Close Devices
DSG-FT-06 /8-1418-2	DSG-FT-06 8' Dual Soft Close Devices

800-824-3018 | [www.pemko.com](http://www.pemko.com)

Check the web site for the up-to-date catalog

Copyright © 2015-2022, ASSA ABLOY Accessories and Door Controls Group, Inc., an ASSA ABLOY Group company. All rights reserved. Reproduction in whole or in part without the express written permission of ASSA ABLOY Accessories and Door Controls Group, Inc. is prohibited.

**PEMKO**  
**ASSA ABLOY**

Experience a safer  
and more open world



## SOFT CLOSE FOR PEMKO FLAT TRACK SYSTEMS

### For Pemko Builders Series Flat Track Sliding Door Hardware

Minimum Door Width Using Single Device 15".  
22" Minimum Door Width When Using Dual Devices.

#### For doors weighing 88 - 132 lbs.

ITEM #	DESCRIPTION
BLD-FT-01 /6-1411-1	BLD-FT-01_ 6' Single Device
BLD-FT-01 /8-1411-1	BLD-FT-01_ 8' Single Device
BLD-FT-01 /6-1411-2	BLD-FT-01_ 6' Dual Devices
BLD-FT-01 /8-1411-2	BLD-FT-01_ 8' Dual Devices
BLD-FT-02 /6-1411-1	BLD-FT-02_ 6' Single Device
BLD-FT-02 /8-1411-1	BLD-FT-02_ 8' Single Device
BLD-FT-02 /6-1411-2	BLD-FT-02_ 6' Dual Devices
BLD-FT-02 /8-1411-2	BLD-FT-02_ 8' Dual Devices

#### For doors weighing 133-176 lbs.

ITEM #	DESCRIPTION
BLD-FT-01 /6-1413-1	BLD-FT-01_ 6' Single Device
BLD-FT-01 /8-1413-1	BLD-FT-01_ 8' Single Device
BLD-FT-01 /6-1413-2	BLD-FT-01_ 6' Dual Devices
BLD-FT-01 /8-1413-2	BLD-FT-01_ 8' Dual Devices
BLD-FT-02 /6-1413-1	BLD-FT-02_ 6' Single Device
BLD-FT-02 /8-1413-1	BLD-FT-02_ 8' Single Device
BLD-FT-02 /6-1413-2	BLD-FT-02_ 6' Dual Devices
BLD-FT-02 /8-1413-2	BLD-FT-02_ 8' Dual Devices

#### For doors weighing 177-240 lbs.

ITEM #	DESCRIPTION
BLD-FT-01 /6-1418-1	BLD-FT-01_ 6' Single Device
BLD-FT-01 /8-1418-1	BLD-FT-01_ 8' Single Device
BLD-FT-01 /6-1418-2	BLD-FT-01_ 6' Dual Devices
BLD-FT-01 /8-1418-2	BLD-FT-01_ 8' Dual Devices
BLD-FT-02 /6-1418-1	BLD-FT-02_ 6' Single Device
BLD-FT-02 /8-1418-1	BLD-FT-02_ 8' Single Device
BLD-FT-02 /6-1418-2	BLD-FT-02_ 6' Dual Devices
BLD-FT-02 /8-1418-2	BLD-FT-02_ 8' Dual Devices

## SOFT CLOSE RETROFIT KITS

### For Designer Series Systems

ITEM #	DESCRIPTION
DSG1411-1	Single Device 88-132 lbs.
DSG1411-2	Dual Devices 88-132 lbs.
DSG1413-1	Single Device 133-176 lbs.
DSG1413-2	Dual Devices 133-176 lbs.
DSG1418-1	Single Device 177-240 lbs.
DSG1418-2	Dual Devices 177-240 lbs.

**Finishes:** add IS for Industrial Steel finish  
add BSP for Black Suede finish  
add WB for Wrought Black finish  
add SS for Stainless Steel finish  
add BZ for 10BE Satin Bronze finish

### For Builders Series Systems

ITEM #	DESCRIPTION
BLD1411-1	Single Device 88-132 lbs.
BLD1411-2	Dual Devices 88-132 lbs.
BLD1413-1	Single Device 133-176 lbs.
BLD1413-2	Dual Devices 133-176 lbs.
BLD1418-1	Single Device 177-240 lbs.
BLD1418-2	Dual Devices 177-240 lbs.

**Finishes:** add C for IS finish  
add D for BSP finish

### For Box Track Systems

ITEM #	DESCRIPTION
SC1411-1	Single Device 88-132 lbs.
SC1411-2	Dual Devices 88-132 lbs.
SC1413-1	Single Device 133-176 lbs.
SC1413-2	Dual Devices 133-176 lbs.
SC1418-1	Single Device 177-240 lbs.
SC1418-2	Dual Devices 177-240 lbs.

## SOFT CLOSE POCKET FRAME KIT

**PF134KIT must be ordered when using 1-3/4" thick doors in 2x4 stud constructed walls.**

Wood 2x4 Stud Constructed Walls	Wood 2x6 Stud Constructed Walls	Metal 2x6 Stud Constructed Walls	Net Door Size	Options
SC-PF28200A7280	SC-PF28200A7280-2x6	SC-PF28200A7280-SP6	3'0" x 6'8"	PFAS84, PFCDKIT for Bi-Parting door openings
SC-PF28200A9680	SC-PF28200A9680-2x6	SC-PF28200A9680-SP6	4'0" x 6'8"	PFAS84, PFCDKIT for Bi-Parting door openings
SC-PF28200A7284	SC-PF28200A7284-2x6	SC-PF28200A7284-SP6	3'0" x 7'0"	PFAS88, PFCDKIT for Bi-Parting door openings
SC-PF28200A9684	SC-PF28200A9684-2x6	SC-PF28200A9684-SP6	4'0" x 7'0"	PFAS88, PFCDKIT for Bi-Parting door openings
SC-PF28200A7296	SC-PF28200A7296-2x6	SC-PF28200A7296-SP6	3'0" x 8'0"	PFAS100, PFCDKIT for Bi-Parting door openings
SC-PF28200A9696	SC-PF28200A9696-2x6	SC-PF28200A9696-SP6	4'0" x 8'0"	PFAS100, PFCDKIT for Bi-Parting door openings

**PEMKO**  
**ASSA ABLOY**

Experience a safer  
and more open world

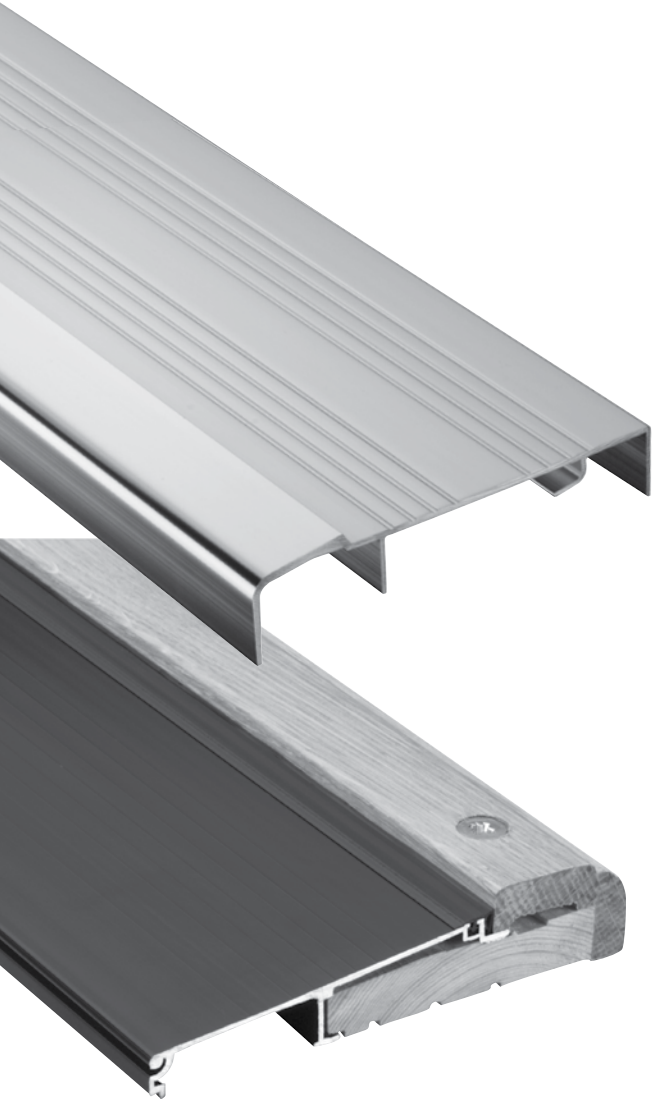
800-824-3018 | [www.pemko.com](http://www.pemko.com)  
Check the web site for the up-to-date catalog

Copyright © 2015-2022, ASSA ABLOY Accessories and Door Controls Group, Inc., an ASSA ABLOY Group company. All rights reserved.  
Reproduction in whole or in part without the express written permission of ASSA ABLOY Accessories and Door Controls Group, Inc. is prohibited.

# RESIDENTIAL THRESHOLDS

## CONTENTS:

Interlocking Thresholds and Caps .....	280
Interlocking Thresholds - Water Return.....	281
Interlocking Hooks.....	281
Adjustable Eco-V™ Top Thresholds .....	282
Eco-V™ Top Thresholds.....	282
Residential Saddles.....	282
Bumper Thresholds for Outswing Doors .....	283
Squareback Thresholds .....	283
Oak Thresholds.....	284
Sill Nosings .....	284
Adjustable Aluminum Top Sills.....	285
Adjustable Oak Top Sills.....	286
Outswing Adjustable Oak Top Sills.....	287
Residential All-Aluminum Adjustable Sills.....	287
Fixed Eco-V™ Top Residential Sills .....	288
Residential All-Aluminum Fixed Sills.....	288
Outswing Fixed Bumper Sills.....	289
Extenders For All Residential Sills.....	289
Thresho-Sills .....	290
Fabrication Options For Thresho-Sills .....	291



## INDEX:

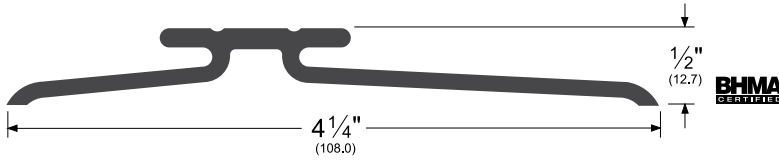
<u>PRODUCT</u>	<u>PAGE</u>	<u>PRODUCT</u>	<u>PAGE</u>	<u>PRODUCT</u>	<u>PAGE</u>
61 .....	281	208 .....	282	8451 .....	289
66.....	281	212.....	282	8452.....	289
101.....	280	218.....	282	74518 .....	287
108.....	280	218OAK .....	284	75518 .....	287
110.....	280	219.....	282	84514.....	288
114.....	280	219OAK .....	284	85514.....	288
120.....	280	249.....	282	93518_W.....	286
136.....	281	250 .....	282	94518.....	285
140_M.....	290	324.....	284	94518_W .....	286
142.....	281	326.....	284	95518 .....	285
145.....	281	327.....	284	95518_W .....	286
146.....	281	2051 .....	283	EXT2.....	289
149.....	283	2052 .....	283	EXT3.....	289
160_M.....	290	2053 .....	283	EXT3/4 .....	289
161_M .....	290	2054.....	283	N84518.....	288
167.....	290	2500W.....	284	N85518 .....	288
206 .....	282	3261 .....	284	OS95518.....	287

## INTERLOCKING THRESHOLDS

- All interlocking thresholds (including water return types) and caps are furnished with #61 hooks and nails
- For alternate hooks, see following page

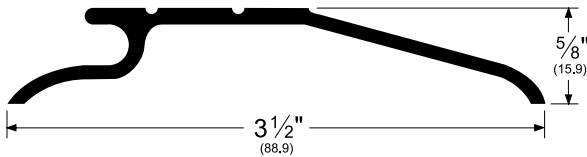
114\_

AVAILABLE FINISHES: A, B, D



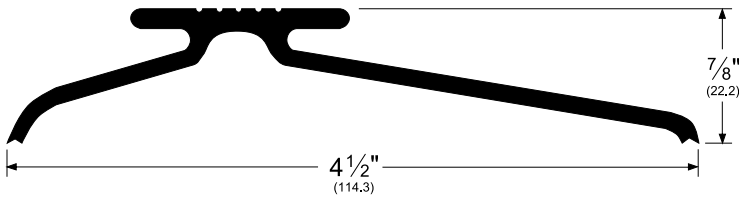
110\_

AVAILABLE FINISHES: A, B, D



120\_

AVAILABLE FINISHES: B

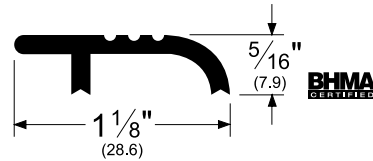


## THRESHOLD CAPS

- Typically mounted on an existing saddle-type threshold to create an interlock with a J-hook or L-hook

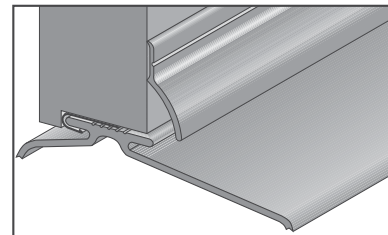
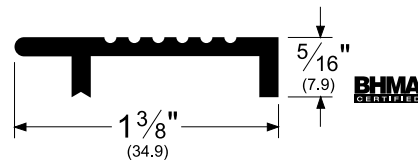
101\_

AVAILABLE FINISHES: A, B, D  
ANSI: J34170



108\_

AVAILABLE FINISH: B  
ANSI: J14170



NOTE: Products shown in this section may not be drawn to scale.

AVAILABLE FINISHES FOR PRODUCTS SHOWN ON THIS PAGE (see General Information section for finish chart)  
A (Mill Finish Aluminum) B (Mill Finish Extruded Bronze [Brass]) D (Dark Bronze Anodized)

**PEMKO**  
**ASSA ABLOY**

Experience a safer  
and more open world

800-824-3018 | [www.pemko.com](http://www.pemko.com)  
Check the web site for the up-to-date catalog

Copyright © 2015-2022, ASSA ABLOY Accessories and Door Controls Group, Inc., an ASSA ABLOY Group company. All rights reserved.  
Reproduction in whole or in part without the express written permission of ASSA ABLOY Accessories and Door Controls Group, Inc. is prohibited.

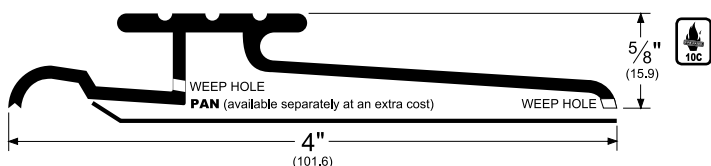


## INTERLOCKING THRESHOLDS - WATER RETURN

- Water return thresholds are designed to catch water which may blow or run under the door and return it to the outside through interior weep holes, down the sloped drain pan, and out exterior weep holes
- Product number for the aluminum water return pan is **PAN**
- Products are furnished with #61 hooks and nails

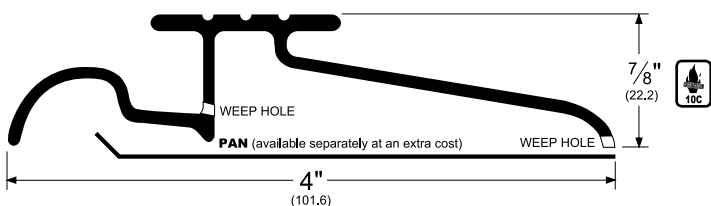
### 142\_

AVAILABLE FINISHES: A, D



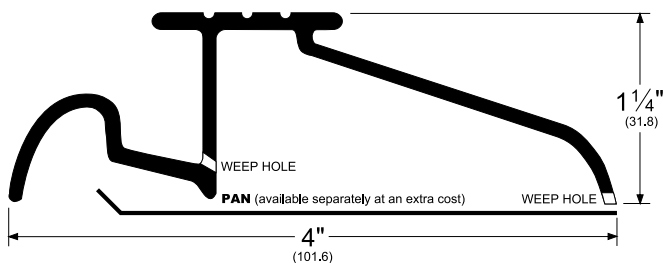
### 145\_

AVAILABLE FINISHES: A, B, D



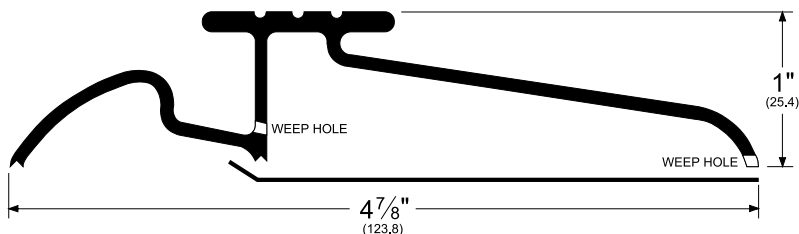
### 146\_

AVAILABLE FINISHES: B



### 136\_

AVAILABLE FINISHES: A, B, D



NOTE: Products shown in this section may not be drawn to scale.

AVAILABLE FINISHES FOR PRODUCTS SHOWN ON THIS PAGE (see General Information section for finish chart)

A (Mill Finish Aluminum) B (Mill Finish Extruded Bronze [Brass])

D (Dark Bronze Anodized) G (Gold Anodized)

For Hooks: B (Bronze) Z (Steel)

800-824-3018 | [www.pemko.com](http://www.pemko.com)

Check the web site for the up-to-date catalog

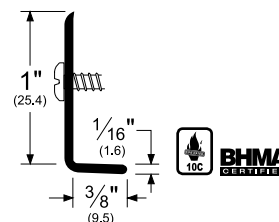
Copyright © 2015-2022, ASSA ABLOY Accessories and Door Controls Group, Inc., an ASSA ABLOY Group company. All rights reserved. Reproduction in whole or in part without the express written permission of ASSA ABLOY Accessories and Door Controls Group, Inc. is prohibited.

## Hooks

- When installed properly on bottom of door, hooks interlock with threshold for a superior seal
- When substituting #66 hook for #61 hooks, price will be increased accordingly. Contact Pemko Customer Service

### 66\_

AVAILABLE FINISHES: A, B, D



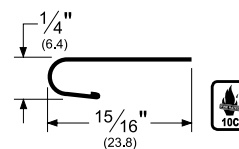
### \_61

AVAILABLE FINISHES: B, Z

.018 bronze

.015 steel

NOTE: B61 is roll form bronze metal



**PEMKO**  
**ASSA ABLOY**

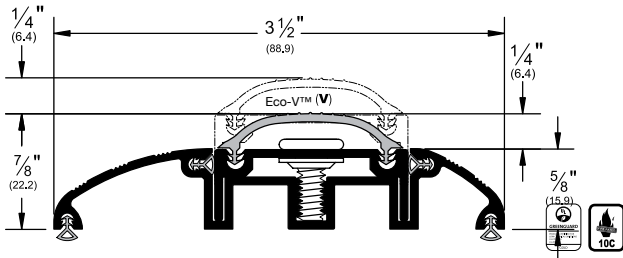
Experience a safer  
and more open world

## ADJUSTABLE ECO-V™ TOP THRESHOLDS

- Furnished with concealed, weather-sealed mounting screws and adjustment mechanism
- Eco-V™ seal adjusts to overcome swelling and/or shrinking of door and floor and eliminates need for shoe or sweep
- Furnished with Eco-V™ (V) insert. Gray replacement Eco-V™ is PV64GR (see Weatherization Products section)
- Eco-V™ replacement "foot" insert is **EV63GR**
- Pre-assembled for easy installation and adjustment

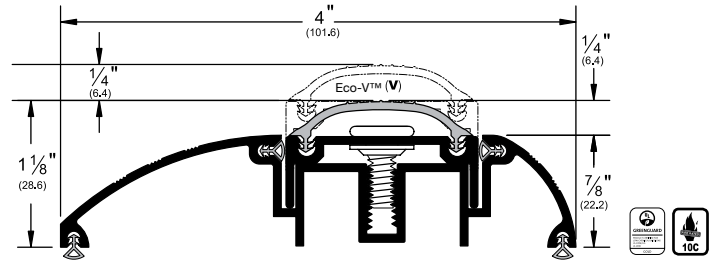
### 249\_V

AVAILABLE FINISHES: A, D  
AVAILABLE LENGTHS: **36", 72"**



### 250\_V

AVAILABLE FINISHES: A, D  
AVAILABLE LENGTHS: **36", 72"**

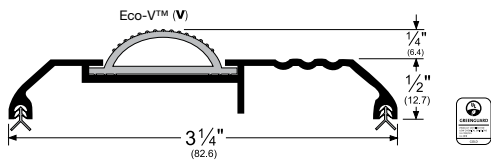


## ECO-V™ TOP THRESHOLDS

- Eco-V™ (V) top creates a seal at the bottom of the door, eliminating the need for door sweeps or door shoes
- Eco-V™ feet replacement insert is **EV12GR**

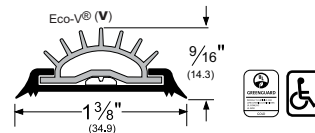
### 206\_V

AVAILABLE FINISHES: A, D  
Gray replacement Eco-V™ is PV22GR36  
Black replacement Eco-V™ is PV22BL36



### 208\_V

AVAILABLE FINISHES: A, D  
Gray replacement Eco-V™ is EV15BL or EV15GR

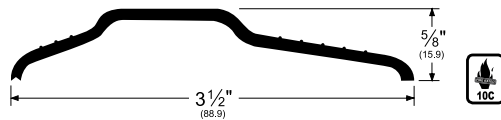


## RESIDENTIAL SADDLES

- Use a door bottom shoe or sweep with these thresholds to seal out the elements
- Made of sturdy extruded aluminum
- Replacement Eco-V™ feet (where applicable) is **EV12GR**

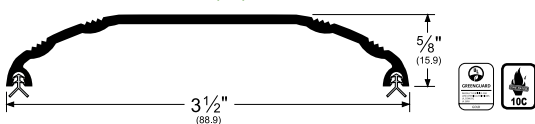
### 212\_

AVAILABLE FINISHES: A, D



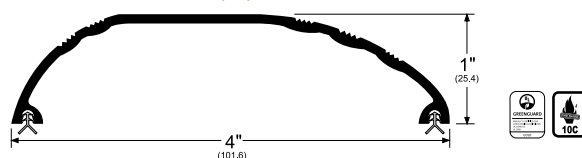
### 218\_

AVAILABLE FINISHES: A, D, SN



### 219\_

AVAILABLE FINISHES: A, D, SN



NOTE: Products shown in this section may not be drawn to scale.

AVAILABLE FINISHES FOR PRODUCTS SHOWN ON THIS PAGE (see General Information section for finish chart)  
A (Mill Finish Aluminum) D (Dark Bronze Anodized) SN (Satin Nickel Anodized)

**PEMKO**  
**ASSA ABLOY**

Experience a safer  
and more open world

800-824-3018 | www.pemko.com  
Check the web site for the up-to-date catalog

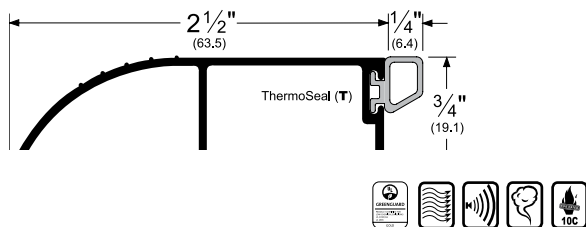
Copyright © 2015-2022, ASSA ABLOY Accessories and Door Controls Group, Inc., an ASSA ABLOY Group company. All rights reserved.  
Reproduction in whole or in part without the express written permission of ASSA ABLOY Accessories and Door Controls Group, Inc. is prohibited.

## BUMPER THRESHOLDS FOR OUTSWING DOORS

- In the closed position, the door butts up to bumper seal on threshold creating a seal against the elements

### 149\_T

AVAILABLE FINISHES: A, D  
REPLACEMENT INSERT: T5 (BL)



#### Alternate Insert For 149

### 149\_P

AVAILABLE FINISHES:  
A, D  
REPLACEMENT INSERT:  
P2 (BL, GR)



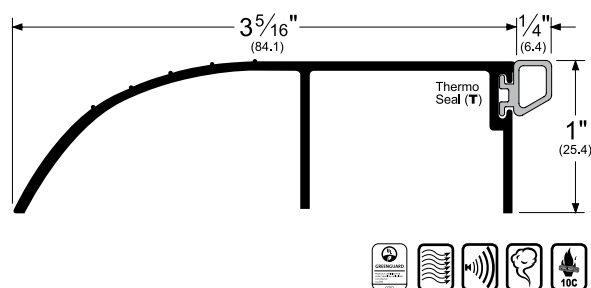
### 149\_V

AVAILABLE FINISHES:  
A, D  
REPLACEMENT INSERT:  
EV41 (BL, GR, W)



### 2051\_T

AVAILABLE FINISHES: A, D  
REPLACEMENT INSERT: T5 (BL)



#### Alternate Insert For 2051

### 2051\_P

AVAILABLE FINISHES:  
A, D  
REPLACEMENT  
INSERT: P2 (BL, GR)



### 2051\_V

AVAILABLE FINISHES:  
A, D  
REPLACEMENT INSERT:  
EV41 (BL, GR, W)



## SQUAREBACK THRESHOLDS

- Replacement Eco-V™ feet (where applicable) is **EV12GR**
- Interior support leg flushes with interior jamb in application, allowing flooring to squarely abut threshold
- Ideal for tall terra cotta, plush carpet or stone paver entry applications for smooth transition

- Gently sloping and ribbed exterior ramp eliminates trip hazard while providing maximum rain guard. (Be sure to caulk all support legs or lay in mastic for best seal)
- Center support leg provides for engineered threshold stability

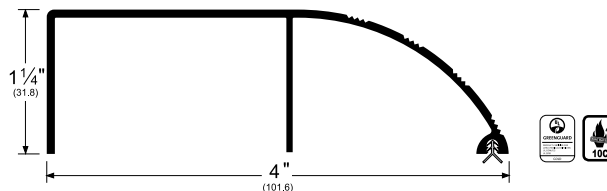
### 2052\_

AVAILABLE FINISHES: A, D



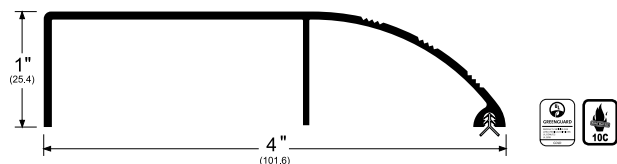
### 2054\_

AVAILABLE FINISHES: A, D



### 2053\_

AVAILABLE FINISHES: A, D



NOTE: Products shown in this section may not be drawn to scale.

AVAILABLE FINISHES FOR PRODUCTS SHOWN ON THIS PAGE (see General Information section for finish chart)  
A (Mill Finish Aluminum) D (Dark Bronze Anodized)

800-824-3018 | www.pemko.com

Check the web site for the up-to-date catalog

Copyright © 2015-2022, ASSA ABLOY Accessories and Door Controls Group, Inc., an ASSA ABLOY Group company. All rights reserved. Reproduction in whole or in part without the express written permission of ASSA ABLOY Accessories and Door Controls Group, Inc. is prohibited.

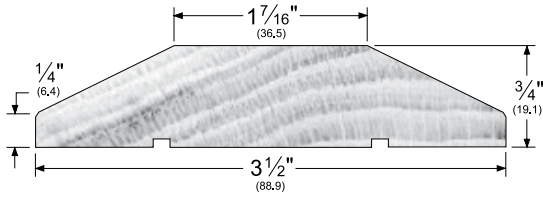
**PEMKO**  
**ASSA ABLOY**

Experience a safer  
and more open world

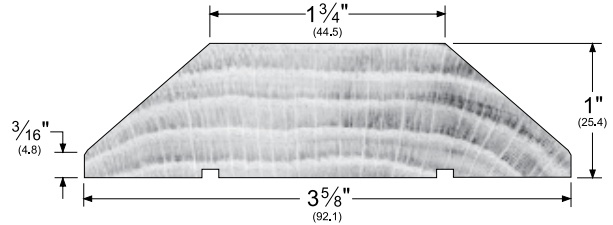
## OAK THRESHOLDS

- Natural unfinished oak provides beauty as well as thermal benefits
- Available in 36" or 72" lengths only

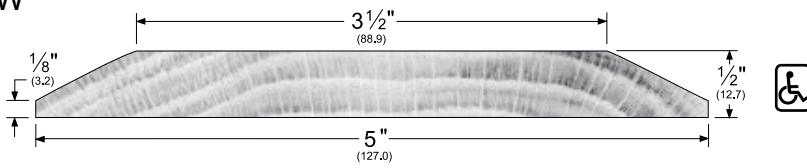
### 218OAK



### 219OAK



### 2500W

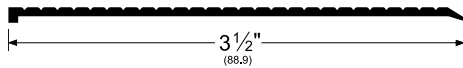


## SILL NOSINGS

- Used to cover concrete or wood sill
- Provides an attractive finished look to new and old door openings, covering defects in existing sill
- Sill nosings are held in place with mastic and pressure from threshold placement

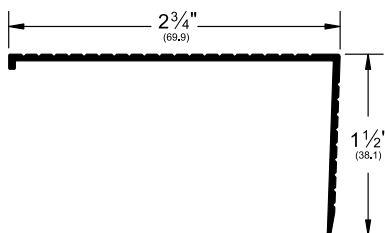
### 324\_

AVAILABLE FINISHES: A, B, D



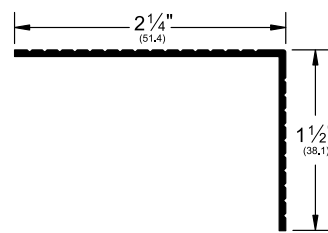
### 326\_

AVAILABLE FINISHES: A, B, D, SN



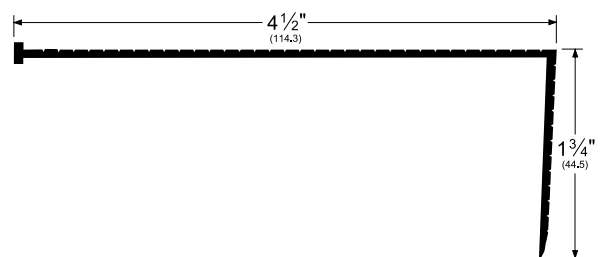
### 3261\_

AVAILABLE FINISHES: A, D, SN



### 327\_

AVAILABLE FINISHES: A, D, PW, SN



NOTE: Products shown in this section may not be drawn to scale.

AVAILABLE FINISHES FOR PRODUCTS SHOWN ON THIS PAGE (see General Information section for finish chart)  
 A (Mill Finish Aluminum) D (Dark Bronze Anodized) OAK (Natural Unfinished Oak) W (Solid Oak)



Experience a safer and more open world

800-824-3018 | www.pemko.com  
 Check the web site for the up-to-date catalog

Copyright © 2015-2022, ASSA ABLOY Accessories and Door Controls Group, Inc., an ASSA ABLOY Group company. All rights reserved. Reproduction in whole or in part without the express written permission of ASSA ABLOY Accessories and Door Controls Group, Inc. is prohibited.

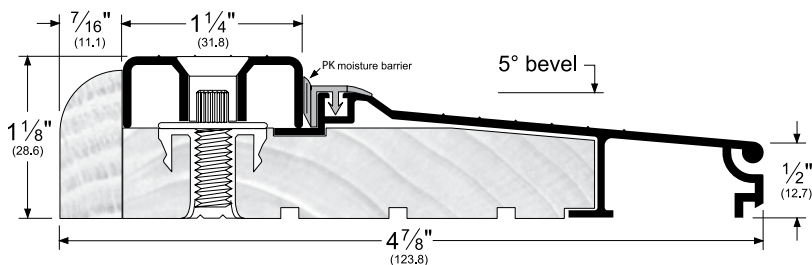
## RESIDENTIAL MILLWORK SILLS

- Silks for use with standard  $4\frac{5}{8}$ " jamb width with easy snap-on extension for jambs as wide as  $8\frac{3}{4}$ "
- For fabrication options for adjustable or fixed substrate silks, such as horning or sidelite mullion notching, contact Pemko Customer Service
- Residential Silks are designed specifically for the pre-hung door market. They are furnished un-drilled and without screws or nails
- Adjustable up to  $\frac{1}{4}$ " to compensate for uneven door bottoms and sub-sill level changes. Two-part zinc plated steel stud shoulder screw joins a long-barreled, zinc plated steel T-nut for superior stability and long-lasting reliability
- PemkoPrene (**PK**) moisture barrier prevents water intrusion. Design of PemkoPrene (**PK**) bulb configuration keeps constant pressure between aluminum cap and aluminum extrusion at any level of adjustment (bulb shown compressed). Replacement insert is **PK74BL**
- Available in standard sizes 32.5", 36.5", and 73.75"

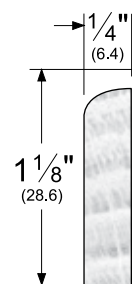
## ADJUSTABLE ALUMINUM TOP SILLS

### 94518\_

AVAILABLE FINISHES: A, D

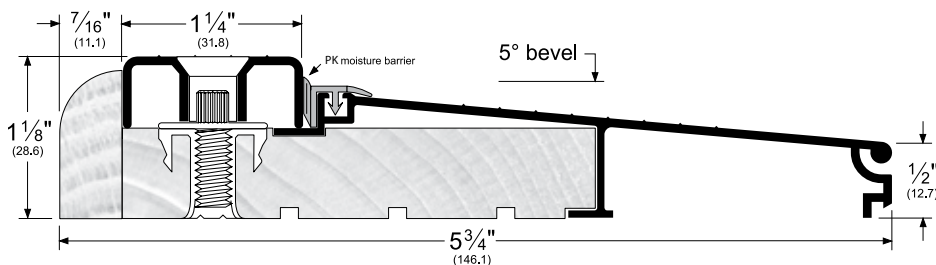


Add "NT" to the end of product number to order narrow trim (i.e. 94518A36.5NT). Full width of sill changes from  $4\frac{7}{8}$ " to  $4\frac{11}{16}$ ".

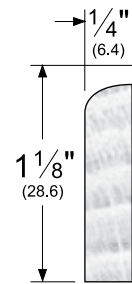


### 95518\_

AVAILABLE FINISHES: A, D



Add "NT" to the end of product number to order narrow trim (i.e. 95518A36.5NT). Full width of sill changes from  $5\frac{3}{4}$ " to  $5\frac{9}{16}$ ".



NOTE: Products shown in this section may not be drawn to scale.

AVAILABLE FINISHES FOR PRODUCTS SHOWN ON THIS PAGE (see General Information section for finish chart)  
 A (Mill Finish Aluminum) BDG (Bright Dip Gold Anodized) D (Dark Bronze Anodized) SN (Satin Nickel Anodized)

800-824-3018 | www.pemko.com

Check the web site for the up-to-date catalog

Copyright © 2015-2022, ASSA ABLOY Accessories and Door Controls Group, Inc., an ASSA ABLOY Group company. All rights reserved. Reproduction in whole or in part without the express written permission of ASSA ABLOY Accessories and Door Controls Group, Inc. is prohibited.

**PEMKO**  
**ASSA ABLOY**

Experience a safer  
 and more open world

# ADJUSTABLE OAK TOP SILLS

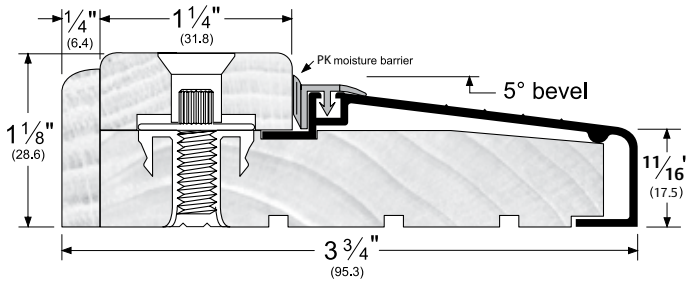
## 93518\_W

AVAILABLE FINISHES: A, D

Available with optional Synthetic Wood Substrate

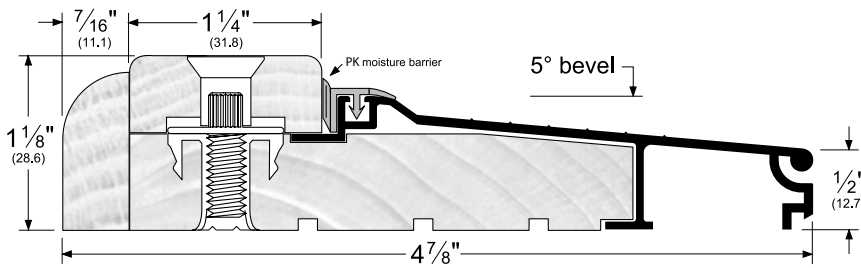
## 93518\_W\_SYN

AVAILABLE FINISH: A, D



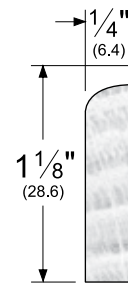
## 94518\_W

AVAILABLE FINISHES: A, D



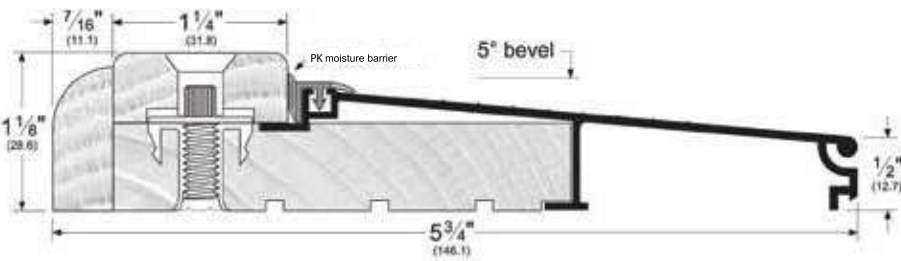
Add "NT" to the end of product number to order narrow trim (i.e. 94518AW36.5NT).

Full width of sill changes from 4 7/8" to 4 11/16".



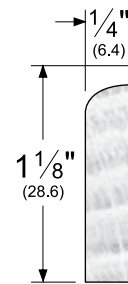
## 95518\_W

AVAILABLE FINISHES: A, D



Add "NT" to the end of product number to order narrow trim (i.e. 95518AW36.5NT).

Full width of sill changes from 5 3/4" to 5 9/16".



NOTE: Products shown in this section may not be drawn to scale.

AVAILABLE FINISHES FOR PRODUCTS SHOWN ON THIS PAGE (see General Information section for finish chart)

A (Mill Finish Aluminum) BDG (Bright Dip Gold Anodized) D (Dark Bronze Anodized)

SN (Satin Nickel Anodized)



Experience a safer and more open world

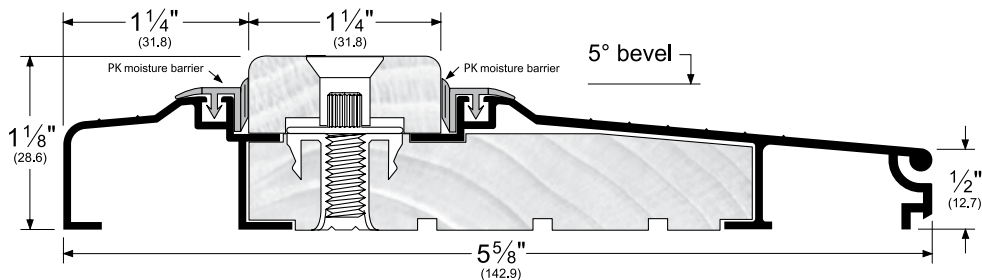
800-824-3018 | www.pemko.com  
Check the web site for the up-to-date catalog

Copyright © 2015-2022, ASSA ABLOY Accessories and Door Controls Group, Inc., an ASSA ABLOY Group company. All rights reserved. Reproduction in whole or in part without the express written permission of ASSA ABLOY Accessories and Door Controls Group, Inc. is prohibited.

## OUTSWING ADJUSTABLE OAK TOP SILLS

OS95518\_W

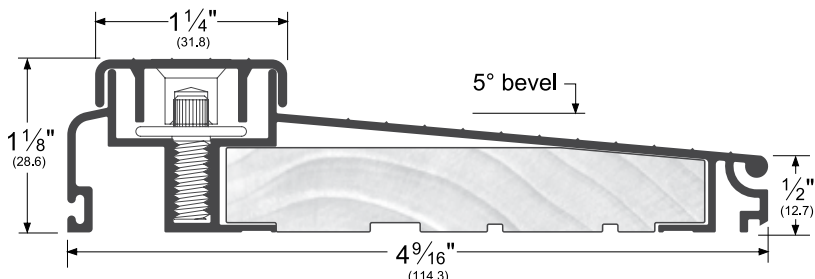
AVAILABLE FINISHES: A, D



## RESIDENTIAL ALL-ALUMINUM ADJUSTABLE SILLS

74518\_

AVAILABLE FINISHES: A, D



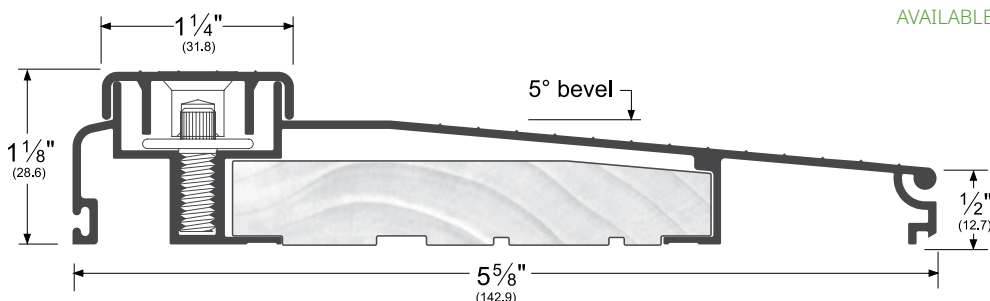
Available with optional Synthetic Wood Substrate

74518\_SYN

AVAILABLE FINISHES: A, D

75518\_

AVAILABLE FINISHES: A, D



Available with optional Synthetic Wood Substrate

75518\_SYN

AVAILABLE FINISHES: A, D

NOTE: Products shown in this section may not be drawn to scale.

AVAILABLE FINISHES FOR PRODUCTS SHOWN ON THIS PAGE (see General Information section for finish chart)  
 A (Mill Finish Aluminum) D (Dark Bronze Anodized)

800-824-3018 | www.pemko.com

Check the web site for the up-to-date catalog

Copyright © 2015-2022, ASSA ABLOY Accessories and Door Controls Group, Inc., an ASSA ABLOY Group company. All rights reserved.  
 Reproduction in whole or in part without the express written permission of ASSA ABLOY Accessories and Door Controls Group, Inc. is prohibited.

**PEMKO**  
**ASSA ABLOY**

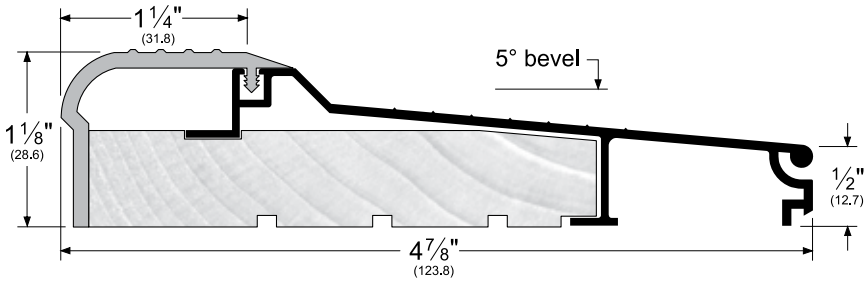
Experience a safer  
 and more open world

## FIXED ECO-V™ TOP RESIDENTIAL SILLS

- Fixed rigid Eco-V™ (V) cap includes ratchet lock feature which prevents moisture penetration and securely fastens Eco-V™ to aluminum extrusion

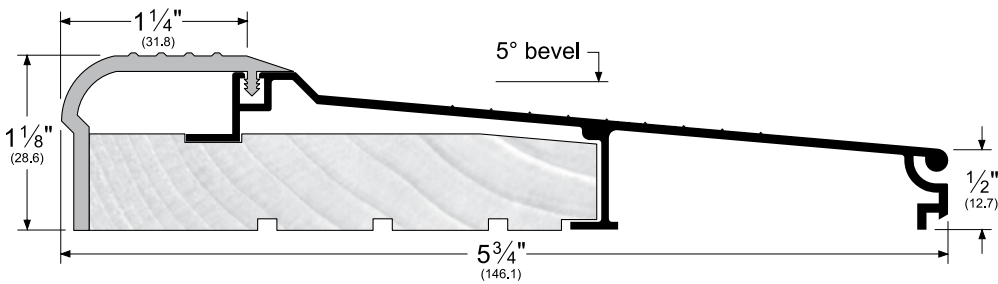
### N84518\_V

AVAILABLE FINISHES: A, D



### N85518\_V

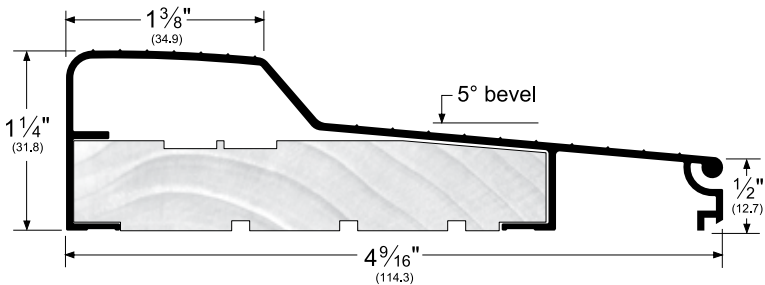
AVAILABLE FINISHES: A, D



## RESIDENTIAL ALL-ALUMINUM FIXED SILLS

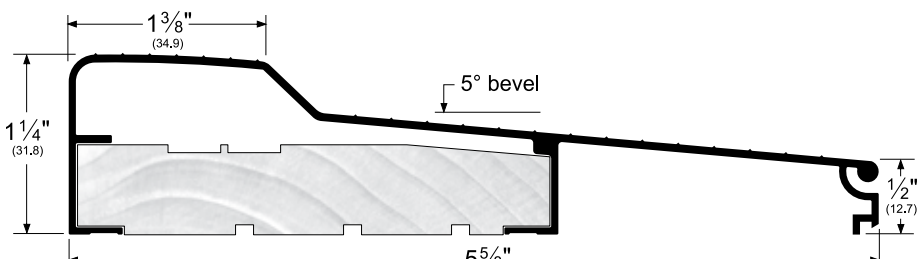
### 84514\_

AVAILABLE FINISHES: A, D



### 85514\_

AVAILABLE FINISHES: A, D



NOTE: Products shown in this section may not be drawn to scale.

AVAILABLE FINISHES FOR PRODUCTS SHOWN ON THIS PAGE (see General Information section for finish chart)  
 A (Mill Finish Aluminum) D (Dark Bronze Anodized)



Experience a safer  
and more open world

800-824-3018 | www.pemko.com  
 Check the web site for the up-to-date catalog

Copyright © 2015-2022, ASSA ABLOY Accessories and Door Controls Group, Inc., an ASSA ABLOY Group company. All rights reserved.  
 Reproduction in whole or in part without the express written permission of ASSA ABLOY Accessories and Door Controls Group, Inc. is prohibited.

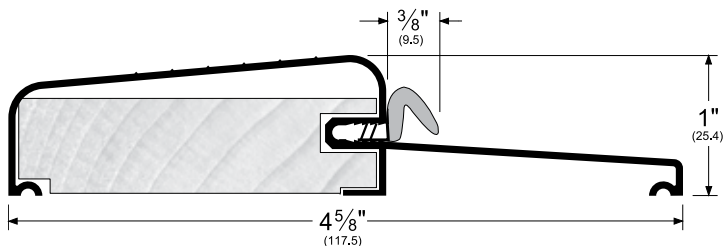


## OUTSWING FIXED BUMPER SILLS

- High dam design restricts water intrusion
- Supplied with high quality Q103 (Q) kerf-in seal
- 8452\_Q is extendable to interior

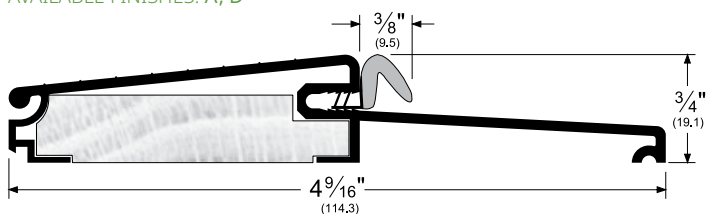
### 8451\_Q

AVAILABLE FINISHES: A, D



### 8452\_Q

AVAILABLE FINISHES: A, D

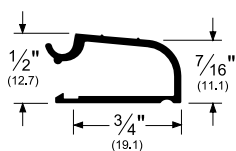


## EXTENDERS FOR ALL RESIDENTIAL SILLS

- Extenders fit all 4 7/8" wide and 5 3/4" wide extrusions
- Extenders are available for jambs as wide as 8 3/4"
- Not for use with 8451\_Q

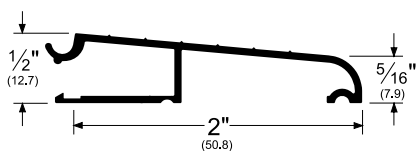
### EXT3/4\_

AVAILABLE FINISHES  
A, D



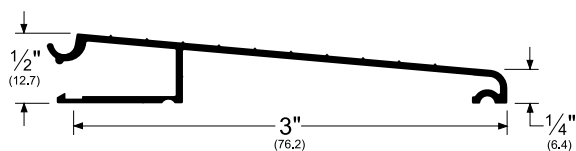
### EXT2\_

AVAILABLE FINISHES:  
A, D



### EXT3\_

AVAILABLE FINISHES:  
A, D



NOTE: Products shown in this section may not be drawn to scale.

AVAILABLE FINISHES FOR PRODUCTS SHOWN ON THIS PAGE (see General Information section for finish chart)

A (Mill Finish Aluminum) D (Dark Bronze Anodized)  
For Kerf Gasket: BL (Black) W (White)

800-824-3018 | www.pemko.com

Check the web site for the up-to-date catalog

Copyright © 2015-2022, ASSA ABLOY Accessories and Door Controls Group, Inc., an ASSA ABLOY Group company. All rights reserved.  
Reproduction in whole or in part without the express written permission of ASSA ABLOY Accessories and Door Controls Group, Inc. is prohibited.

**PEMKO**  
**ASSA ABLOY**

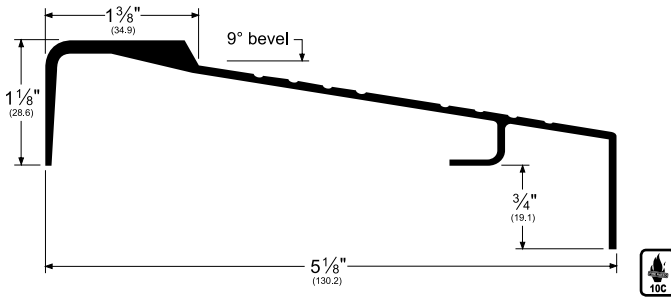
Experience a safer  
and more open world

# THRESHO-SILLS

- The following products are designed specifically for the prehung door market
- See *updated* fabrication options for thresho-sills (see page 296) for complete information and drawings regarding milling, drilling, and notching

## 160\_M

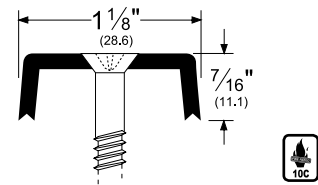
AVAILABLE FINISHES: A, D



## 167\_

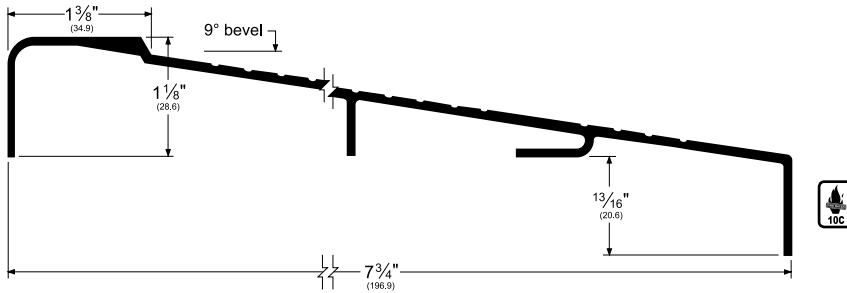
AVAILABLE FINISHES: A, D

- Riser fastens to top of any thresho-sill
- Supplied with both wood and sheet metal screws
- Specify NET length when ordering
- Furnished undrilled unless drilling instructions are specified when ordering



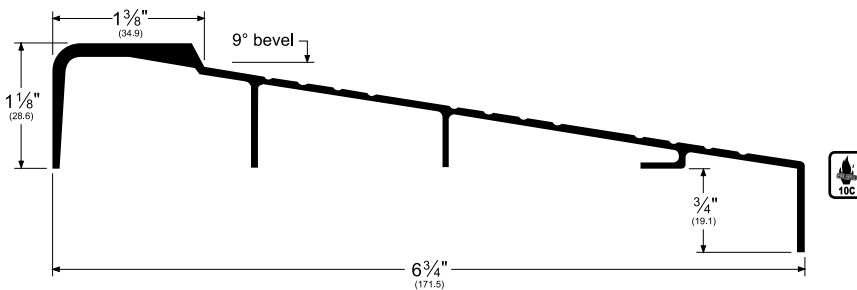
## 161\_M

AVAILABLE FINISHES: A, D



## 140\_M

AVAILABLE FINISHES: A, D



NOTE: Products shown in this section may not be drawn to scale.  
 AVAILABLE FINISHES FOR PRODUCTS SHOWN ON THIS PAGE (see General Information section for finish chart)  
 A (Mill Finish Aluminum) D (Dark Bronze Anodized)



Experience a safer and more open world

800-824-3018 | www.pemko.com  
 Check the web site for the up-to-date catalog

Copyright © 2015-2022, ASSA ABLOY Accessories and Door Controls Group, Inc., an ASSA ABLOY Group company. All rights reserved. Reproduction in whole or in part without the express written permission of ASSA ABLOY Accessories and Door Controls Group, Inc. is prohibited.

# FABRICATION OPTIONS FOR THRESHO-SILLS

## STYLE 3A (standard mill)

- **Fabrication includes:** 3/4" mill each end, 3 nail holes at each end, and one center screw
- **Preparation:** Cut jamb 3/4" at angle and height of threshold. Nail threshold to underside of jamb
- **Ordering:** Add 1 1/2" to net opening dimension and designate **Style 3A** by adding "M" following product number and add "x3A" after length

(Example: A 160\_M profile for a 36" net opening with a STYLE 3A fabrication = 160\_MM37.5x3A)

## STYLE 3B (modification of STYLE 3A)

- **Fabrication includes:** 3/8" mill each end, 3 nail holes at each end, and one center screw
- **Preparation:** Cut jamb 3/8" at angle and height of threshold. Nail threshold to underside of jamb
- **Ordering:** Add 3/4" to net opening dimension and designate **STYLE 3B** by adding "M" following product number and add "x3B" after length

(Example: A 160\_M profile for a 36" net opening with a STYLE 3B fabrication = 160\_MM36.75x3B)

## STYLE 3C (modification of STYLE 3A)

- **Fabrication includes:** 1/2" mill each end, 3 nail holes at each end, and one center screw
- **Preparation:** Cut jamb 1/2" at angle and height of threshold. Nail threshold to underside of jamb
- **Ordering:** Add 1" to net opening dimension and designate **STYLE 3C** by adding "M" following product number and add "x3C" after length

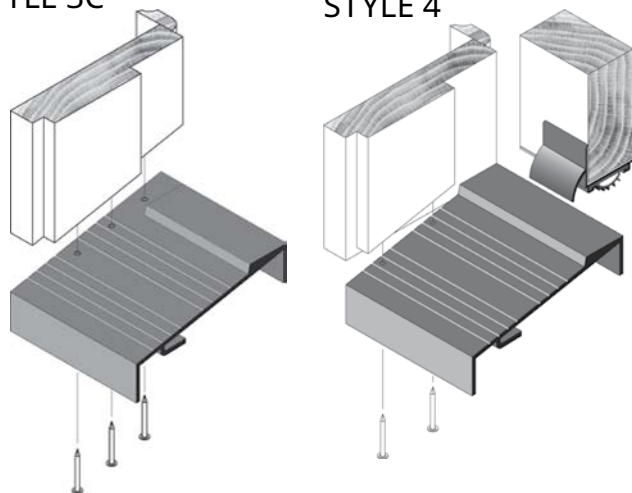
(Example: A 160\_M profile for a 36" net opening with a STYLE 3C fabrication = 160\_MM37x3C)

## STYLE 3A

## STYLE 3B

## STYLE 3C

## STYLE 4



## STYLE 4

- **Fabrication includes:** 2 nail holes at each end and one center screw
- **Preparation:** Rabbet stop to angle and height of threshold. Nail threshold to underside of stop
- **Ordering:** Order net opening dimension and designate **STYLE 4** by adding "H" following the product number  
(Example: A 160\_M profile for a 36" net opening with a STYLE 4 fabrication = 160\_MH36)

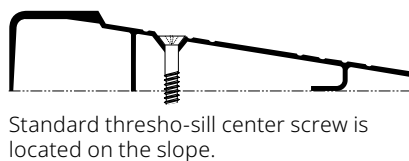
## L-NOTCH

- Accommodates trim molding by notching corner of product
- **Fabrication:** Customer must supply diagram indicating location and dimensions of L-NOTCH (see drawing)
- Pemko Customer Service can provide form to fill in location and dimensions
- **Ordering:** Specify "L-NOTCH". After fabrication, orders are non-cancellable and non-returnable

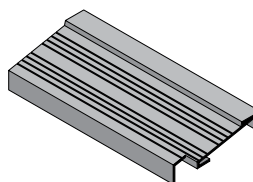
## U-NOTCH

- For use with pre-installed door frames, to "drop-in" around door frame stops
- **Fabrication:** Customers must supply diagram indicating location and dimensions of U-NOTCH cut-out
- Pemko Customer Service can provide form to fill in location and dimensions
- **Ordering:** Specify "U-NOTCH". After fabrication, orders are non-cancellable and non-returnable

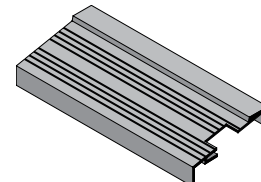
## Screw Location



## L-NOTCH



## U-NOTCH



**PEMKO**  
**ASSA ABLOY**

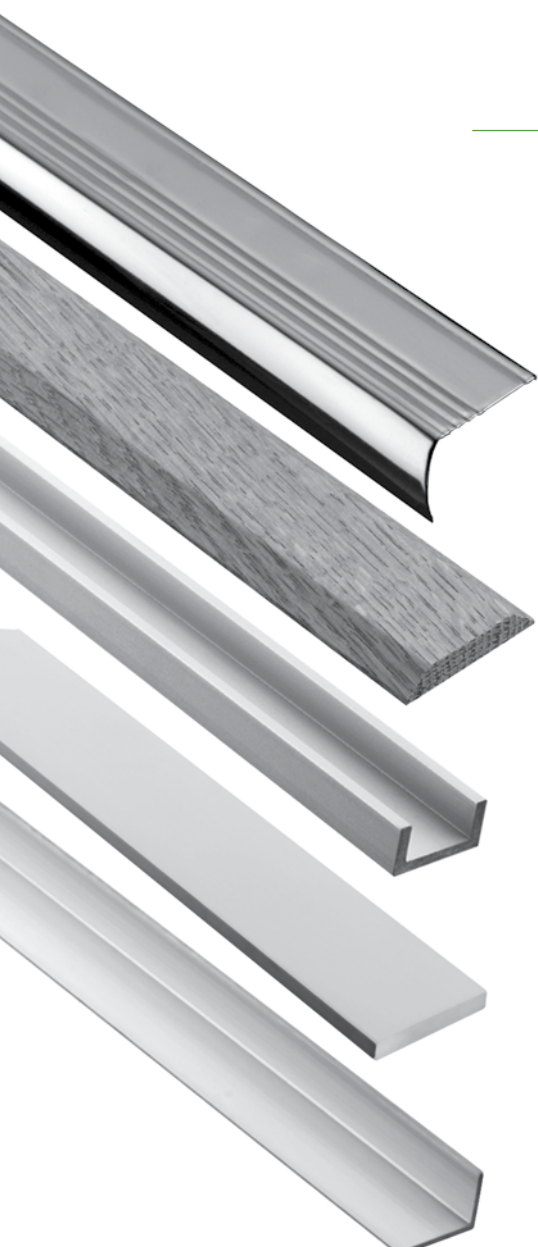
Experience a safer  
and more open world



Experience a safer  
and more open world

800-824-3018 | [www.pemko.com](http://www.pemko.com)  
Check the web site for the up-to-date catalog

Copyright © 2015-2022, ASSA ABLOY Accessories and Door Controls Group, Inc., an ASSA ABLOY Group company. All rights reserved.  
Reproduction in whole or in part without the express written permission of ASSA ABLOY Accessories and Door Controls Group, Inc. is prohibited.



# FLOOR MOLDING, TRIM & HANDYSHAPES™

## CONTENTS:

Carpet Bar and Seam Binding.....	296
Stair Nosing.....	296
Oak Seam Binding, Floor Edging, and Carpet Trim.....	296

## INDEX:

PRODUCT	PAGE	PRODUCT	PAGE
2120 .....	294	2219 .....	294
2132 .....	294	2219W.....	294
2132W.....	294	2500W .....	294
2134 .....	294		

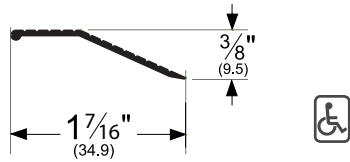
## CARPET BAR - STANDARD

- Carpet Bars protect and provide a neat trim for the edge of carpet

### 2132\_

AVAILABLE FINISHES: **A, G**  
AVAILABLE LENGTHS: **36", 72"**

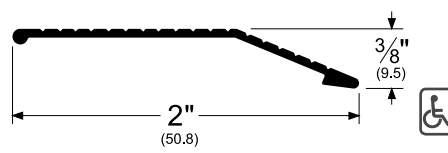
Provided with drive nails



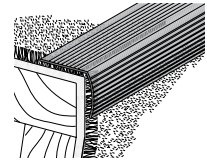
### 2134\_

AVAILABLE FINISHES: **A, G**  
AVAILABLE LENGTHS: **36", 72"**

Provided with drive nails



### Typical Installation



2120\_ shown installed

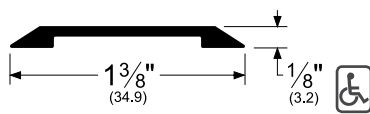
## SEAM BINDING

- Covers seams and joins in linoleum, tile, carpet, and other floor coverings

### 2219\_

AVAILABLE FINISHES: **A, G**  
AVAILABLE LENGTHS: **36", 72"**

Provided with drive nails

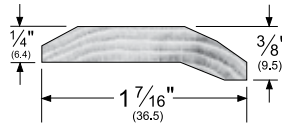


## OAK CARPET TRIM

- Covers and protects carpet edges or seams between two surfaces
- Oak is provided unfinished with countersunk holes and brass plated screws

### 2132W

AVAILABLE FINISH: **W**  
AVAILABLE LENGTHS: **36", 72"**



## STAIR NOSING

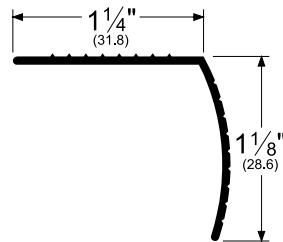
- Protects and improves the appearance of stair edges

### 2120\_

AVAILABLE FINISHES: **A, G**  
AVAILABLE LENGTHS: **36", 72"**

Provided with drive nails

Ribbed top surface and fluted face

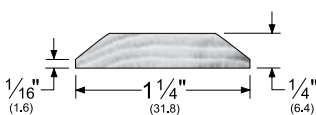


## OAK SEAM BINDING

- Oak Seam Binding covers seams between wood, tile, linoleum and other surfaces
- Oak is provided unfinished with countersunk holes and brass plated screws

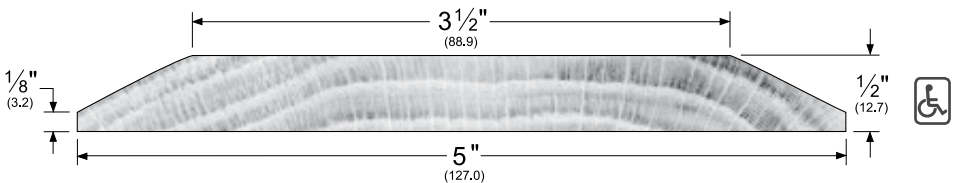
### 2219W

AVAILABLE LENGTHS: **36", 72"**



### 2500W

AVAILABLE LENGTHS: **36", 72"**



**PEMKO**  
**ASSA ABLOY**

AVAILABLE FINISHES FOR PRODUCTS SHOWN ON THIS PAGE (see General Information section for finish chart)  
**A** (Mill Finish Aluminum) **G** (Gold Anodized)

800-824-3018 | [www.pemko.com](http://www.pemko.com)  
Check the web site for the up-to-date catalog

Experience a safer  
and more open world

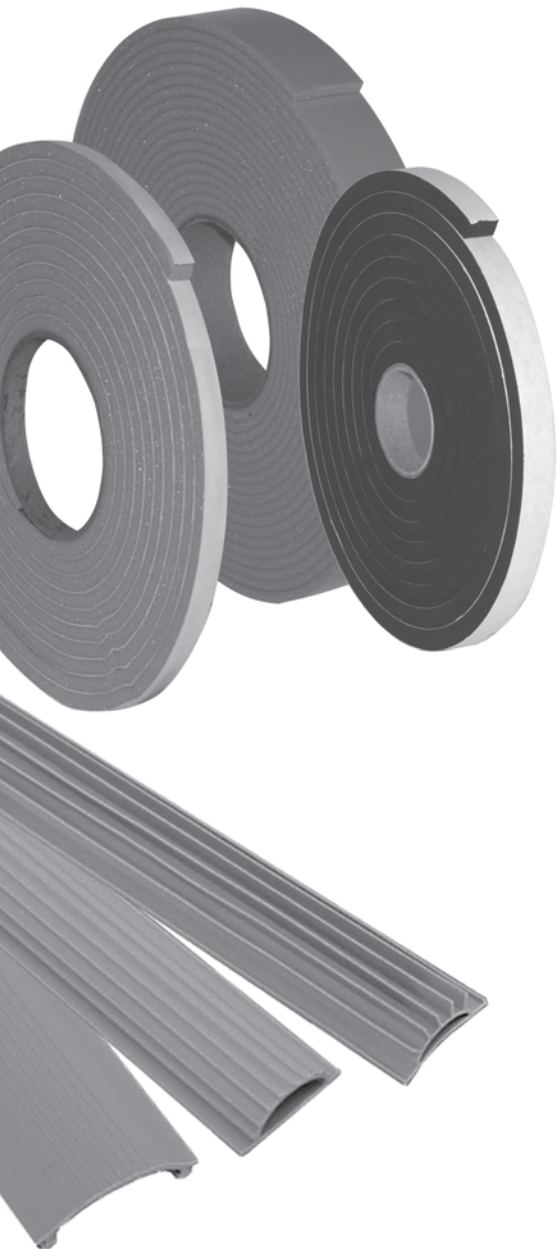
# PEMKO WEATHERIZATION PRODUCTS

## CONTENTS:

Foam Tape .....	296
Neoprene Tape .....	296
Miscellaneous Tape .....	297
Spring Bronze Weatherstrip .....	297
Garage Door Weatherstrip .....	297

## INDEX:

<u>PRODUCT</u>	<u>PAGE</u>	<u>PRODUCT</u>	<u>PAGE</u>	<u>PRODUCT</u>	<u>PAGE</u>
P51B17 .....	297	P266 .....	296	P391 .....	296
P240 .....	296	P361V16 .....	297	P392 .....	296
P241 .....	296	P364R16 .....	297	P393 .....	296
P241-30 .....	296	P365V16 .....	297	P394 .....	296
P242 .....	296	P380 .....	297	P396 .....	296
P243 .....	296	P381 .....	297	P397 .....	296
P244 .....	296	P382 .....	297	P398 .....	296
P260 .....	296	P384 .....	297	P480 .....	297
P261 .....	296	P385 .....	296	P484 .....	297
P262 .....	296	P386 .....	296	P490 .....	296
P263 .....	296	P387 .....	297	P491 .....	296
P264 .....	296	P388 .....	297	P493 .....	296
P265 .....	296	P390 .....	296	P497 .....	296



800-824-3018 | [www.pemko.com](http://www.pemko.com)  
 Check the web site for the up-to-date catalog

Copyright © 2015-2022, ASSA ABLOY Accessories and Door Controls Group, Inc., an ASSA ABLOY Group company. All rights reserved.  
 Reproduction in whole or in part without the express written permission of ASSA ABLOY Accessories and Door Controls Group, Inc. is prohibited.

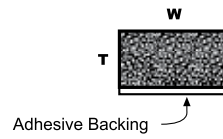
**PEMKO**  
**ASSA ABLOY**

Experience a safer  
 and more open world

## OPEN CELL POLYURETHANE FOAM TAPE

- Easily compressible self-adhesive weatherstrip

Product #	Color	Thickness (T)		Width (W)		Length
P390	Gray	3/16"	X	3/8"	X	17'
P391	White	1/4"	X	3/8"	X	17'
P392	Gray	3/8"	X	3/8"	X	17'
P393	Gray	1/2"	X	1/2"	X	17'
P394	Gray	1/2"	X	3/4"	X	17'
P396	Charcoal	1/4"	X	1/2"	X	17'
P397	White	1/8"	X	3/8"	X	17'
P398	Gray	1/4"	X	3/4"	X	17'



### Suggested Installation

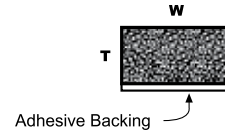


Open Cell Foam Tape installed on casement window.

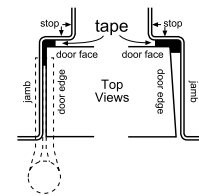
## CLOSED CELL SOFT PVC FOAM TAPE

- Flexible, conformable, and softly compressible self-adhesive weatherstrip
- Highly resilient: resists ultraviolet, oxygen and moisture degradation
- Seals against air and water, around doors and windows

Product #	Color	Thickness (T)		Width (W)		Length
P240	Gray	1/8"	X	1/4"	X	17'
P241	Gray	3/16"	X	3/8"	X	17'
P241-30	Gray	3/16"	X	3/8"	X	30'
P242	Gray	1/4"	X	3/8"	X	17'
P243	Gray	3/8"	X	3/8"	X	17'
P244	Gray	3/8"	X	3/4"	X	17'



### Suggested Installation

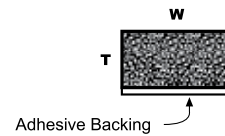


Top view of Closed Cell PVC Soft Foam Tape installed on door opening.

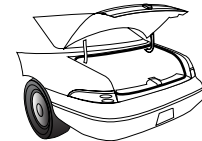
## CLOSED CELL FIRM PVC FOAM TAPE

- Moderately compressible self-adhesive weatherstrip

Product #	Color	Thickness (T)		Width (W)		Length
P260	Black	1/8"	X	1/4"	X	17'
P261	Black	3/16"	X	3/8"	X	17'
P262	Black	3/16"	X	3/4"	X	17'
P263	Black	5/16"	X	3/8"	X	10'
P264	Black	5/16"	X	3/4"	X	10'
P265	Black	7/16"	X	3/8"	X	10'
P266	Black	7/16"	X	3/4"	X	10'
P385	Gray	1/4"	X	1/2"	X	10'
P386	Gray	1/4"	X	3/4"	X	10'



### Suggested Installation

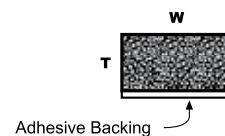


Closed Cell PVC Firm Foam Tape installed as car trunk weatherstrip.

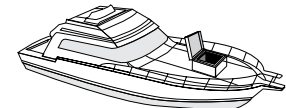
## EPDM SPONGE NEOPRENE TAPE

- Slightly compressible self-adhesive weatherstrip
- Resists deterioration and remains flexible at sub-zero temperatures
- Superior product for weatherstripping doors, windows, hatchways, lids and covers

Product #	Color	Thickness (T)		Width (W)		Length
P490	Gray	1/8"	X	3/8"	X	10'
P491	Gray	1/4"	X	3/8"	X	10'
P493	Gray	1/4"	X	1/2"	X	10'
P497	Gray	1/4"	X	3/4"	X	10'



### Suggested Installation



EPDM Sponge Neoprene Tape installed as boat hatch weatherstrip

**PEMKO**  
**ASSA ABLOY**

Experience a safer  
and more open world

800-824-3018 | [www.pemko.com](http://www.pemko.com)  
Check the web site for the up-to-date catalog

Copyright © 2015-2022, ASSA ABLOY Accessories and Door Controls Group, Inc., an ASSA ABLOY Group company. All rights reserved. Reproduction in whole or in part without the express written permission of ASSA ABLOY Accessories and Door Controls Group, Inc. is prohibited.

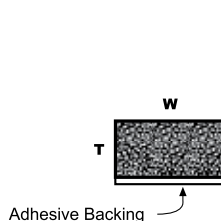


## CLOSED CELL SPONGE NEOPRENE TAPE

- Superior product for weatherstripping homes, cars, trucks and boats
- Resists deterioration from oily substances
- Remains flexible at high and low temperatures

Product #	Color	Thickness (T)		Width (W)		Length
P380	Black	3/16"	x	3/8"	x	10'
P381	Black	5/16"	x	3/8"	x	10'
P382	Black	5/16"	x	3/4"	x	10'
P384	Black	7/16"	x	3/4"	x	10'
P387	Black	3/16"	x	3/4"	x	10'
P388	Black	5/16"	x	1/2"	x	10'
P484	Black	7/16"	x	3/8"	x	10'

### Suggested Installation

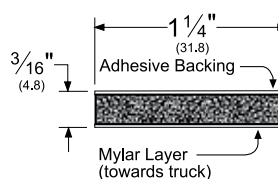


Closed Cell Sponge Neoprene Tape installed as car door weatherstrip.

## CLOSED CELL SPONGE VINYL CAMPER TAPE

- Mylar-backed tape cushions between camper and truck

Product #	Color	Thickness (T)		Width (W)		Length
P480	Gray	3/16"	x	1 1/4"	x	30'



### Suggested Installation

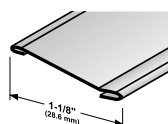


Sponge Vinyl Camper Tape installed as seal between camper and truck bed

## SPRING BRONZE WEATHERSTRIP

- For use on wood doors and wood casement windows
- .008" hemmed spring bronze (brass)
- Packaged with nails. Nails should be approximately 1 1/2" on center

Product #	Material	Width		Length
P51B17	Bronze	1 1/8"	x	17'

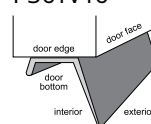


## GARAGE DOOR WEATHERSTRIP

- All garage door weatherstrips are furnished with roofing nails

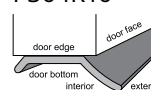
Product #	Color	Height		Width		Length
P361V16	Black	1 1/2"	x	1"	x	16'
P364R16	Black	3/4"	x	2 1/4"	x	16'
P365V16	Gray	1 3/4"	x	5/8"	x	16'

### P361V16



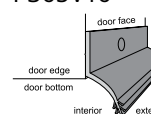
- Nails to door edge, bottom or jamb, closing gaps up to 1 1/2"

### P364R16



- Nails to door bottom, closing gaps up to 5/8"

### P365V16



- Nails to door edge, bottom or face, closing gaps up to 1 3/4"



Experience a safer  
and more open world

800-824-3018 | [www.pemko.com](http://www.pemko.com)  
*Check the web site for the up-to-date catalog*

Copyright © 2015-2022, ASSA ABLOY Accessories and Door Controls Group, Inc., an ASSA ABLOY Group company. All rights reserved.  
Reproduction in whole or in part without the express written permission of ASSA ABLOY Accessories and Door Controls Group, Inc. is prohibited.

# PEMKO FIRE GLAZING TAPE

---

## CONTENTS:

Fire Glazing Tape .....	300
Fire Glazing Tape Applications .....	301

## INDEX:

<u>PRODUCT</u>	<u>PAGE</u>	<u>PRODUCT</u>	<u>PAGE</u>
FG3000S45 .....	300	FG3000S90 .....	300
FG3000S45 .....	301	FG3000S90 .....	304
FG3000S45 .....	302	FG3000S90 .....	305
FG3000S45 .....	303	HSS2000 .....	305
FG3000S45 .....	306		

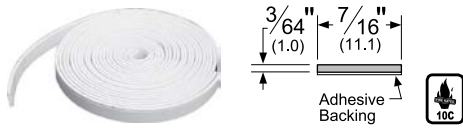


# FIRE GLAZING TAPE

- Verify all applications with your door and/or frame manufacturer
- **FG3000S45** and **FG3000S90** are specially formulated high-performance fire glazing tapes
- For exterior fire-rated applications, seal against moisture using standard industry methods

## FG3000S45

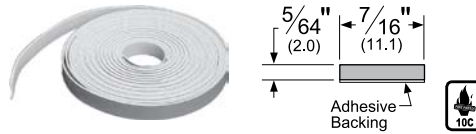
AVAILABLE LENGTHS: 7', 8', 14', 16'



Color: White

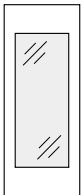
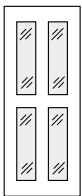
## FG3000S90

AVAILABLE LENGTHS: 8', 16'



Color: White

### Fire Glazing Tape in Larger Lite Applications

<p><b>Single Vision Lites (Wood/Hollow Metal Door)</b></p> 	<p>Maximum Height: 84"                  Maximum Width: 34"                  Maximum Total Square Inches (Visible Glass Area): 2,856</p>	<ul style="list-style-type: none"> <li>• In 20-, 45-, 60- and 90-minute rated wood and hollow metal doors with metal vision frames, the use of FG3000 fire glazing tape allows for much larger vision lites</li> <li>• In 20- and 45-minute rated hollow metal screens, the use of FG3000 fire glazing tape allows for much larger sidelites, borrowed lites and glass transoms</li> <li>• New allowable visible glass areas for vision lites in 20- and 45-minute rated wood and hollow metal doors with FG3000S45 is 2,856 square inches with a maximum height of 84" and a maximum width of 34"</li> </ul>
<p><b>Multiple Vision Lites (Hollow Metal Door)</b></p> 	<p>Maximum Height (Each Lite): 12"                  Maximum Width (Each Lite): 46"                  Maximum Combined Square Inches (All Visible Glass Areas): 2,208</p>	<ul style="list-style-type: none"> <li>• For 90-minute hollow metal doors with <b>FG3000</b> fire glazing tape, 12" x 46" vision lites are allowed, but the total number of lites must not exceed four (4) per door. The combined total visible glass area allowed is 2208 square inches</li> </ul>



Experience a safer and more open world

800-824-3018 | www.pemko.com  
 Check the web site for the up-to-date catalog

Copyright © 2015-2022, ASSA ABLOY Accessories and Door Controls Group, Inc., an ASSA ABLOY Group company. All rights reserved. Reproduction in whole or in part without the express written permission of ASSA ABLOY Accessories and Door Controls Group, Inc. is prohibited.

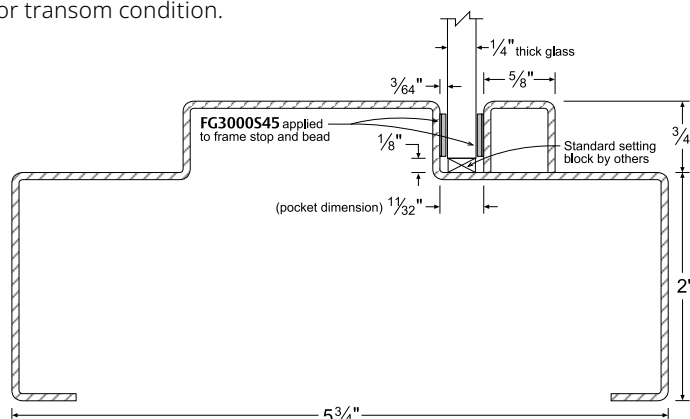
# FG3000S45 FIRE GLAZING TAPE IN 20- AND 45-MINUTE HOLLOW METAL FRAME (SCREEN)

## Sidelite/Borrowed Lite/Transom Lite Applications

- Verify all applications with your door and/or frame manufacturer
- For exterior fire-rated applications, a clear silicone caulk is recommended for water proofing

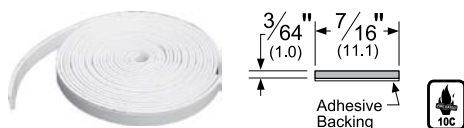
## Sectional View of Application

Hollow metal frame for a sidelite, borrowed lite or transom condition.



## FG3000S45

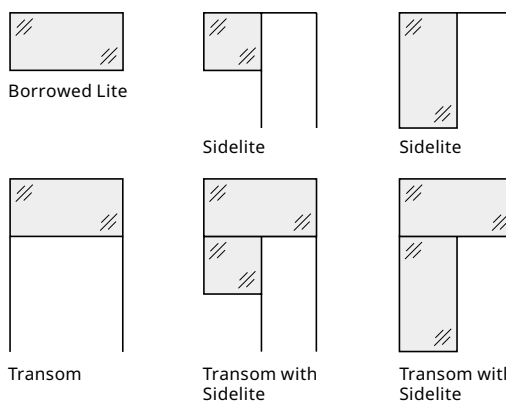
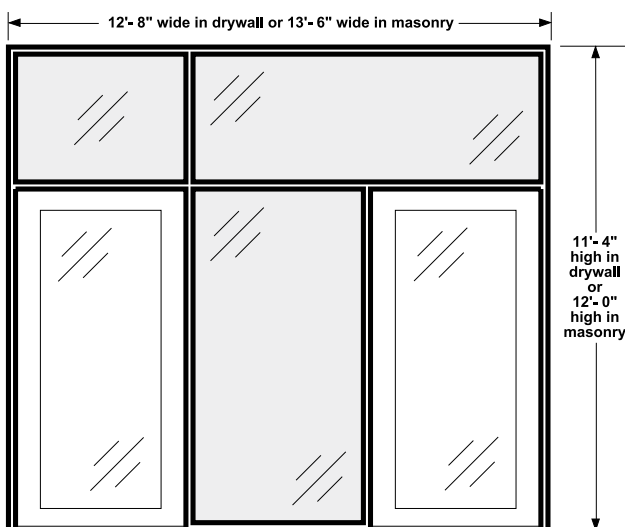
AVAILABLE LENGTHS: 7', 8', 14', 16'



Color: White

## Technical Data for 20- And 45-Minute Hollow Metal Screens Equipped with FG3000S45 (Sidelite/Borrowed Lite/Transom Lite Applications)

### Lite Configurations



The maximum visible glass area allowed for side lites, borrowed lites, and glass transoms is 4,704 square inches with a maximum length of 106" in any one direction.

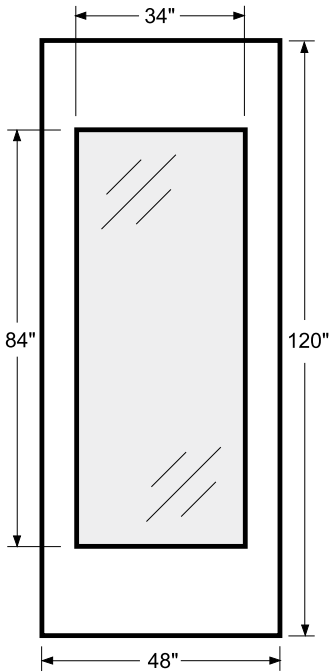
Lite Specifications	Hollow Metal Screen Specifications	Listing/Labeling Specifications
<p>Maximum Lite Size: 106" In Any One Direction</p> <p>Maximum Lite Combined Square Inches: Not To Exceed 4,704</p>	<p>Maximum Dimensions (Drywall): 12'8" X 11'4"</p> <p>Maximum Dimensions (Masonry): 13'6" X 12'0"</p> <p>Metal Requirements: Frames are restricted to a minimum of 16-gauge with 5/8" high stops and 18-gauge glazing bead with #8 fasteners at 9" maximum centers</p>	<ul style="list-style-type: none"> <li>• Door and frame must be manufactured by companies that are classified by <b>Underwriters Laboratories Inc.®</b> for the manufacturing and labeling of hollow metal fire doors. <b>Warnock Hersey (I.T.S.)</b> listings are also available through participating hollow metal manufacturers</li> <li>• Listed Glazing Products include: <ul style="list-style-type: none"> <li>- <b>Wire Glazing:</b> Pilkington, Asahi and Central Glass</li> </ul> </li> <li>• All vision lite kits must be listed fire door glass frames, packaged with FG3000S45 or FG3000S90</li> <li>• Individual door and frame manufacturers' modification procedures may vary slightly from the size listings shown</li> </ul>



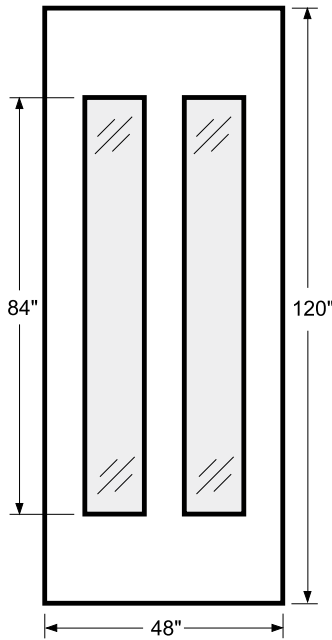
# FG3000S45 FIRE GLAZING TAPE IN 20- AND 45-MINUTE HOLLOW METAL DOOR

## Metal Vision Frame Applications

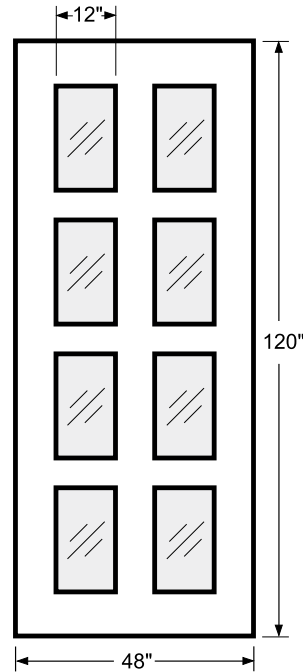
- Maximum hollow metal door size: 48" x 120" single, pairs approved
- Door and frame must be manufactured by companies that are classified by Underwriters Laboratories Inc.® for the manufacturing and labeling of hollow metal fire doors and frames. Warnock-Hersey (I.T.S.) listings are also available through participating hollow metal manufacturers
- For exterior fire rated applications, seal against moisture using standard industry methods
- Verify all applications with your door and/or frame manufacturer



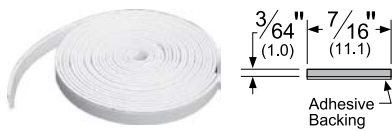
For 20 minute and 45 minute the maximum visible glass size allowed is 34" wide x 84" high or 2,856 square inches per vision lite.



Multiple vision lites are allowed in both the 20 minute and 45 minute, but the combined total visible glass area allowed is 2,856 square inches per door.



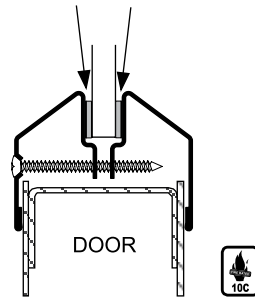
## FG3000S45



Color: White

## Sectional View of Applications

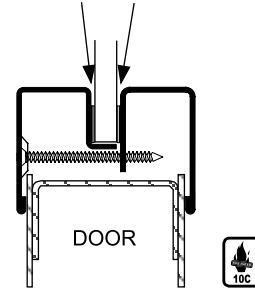
FG3000S45 applied between frame and glass



Beveled



FG3000S45 applied between frame and glass



Square



Experience a safer and more open world

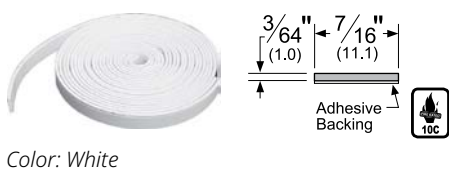
800-824-3018 | [www.pemko.com](http://www.pemko.com)  
Check the web site for the up-to-date catalog

Copyright © 2015-2022, ASSA ABLOY Accessories and Door Controls Group, Inc., an ASSA ABLOY Group company. All rights reserved. Reproduction in whole or in part without the express written permission of ASSA ABLOY Accessories and Door Controls Group, Inc. is prohibited.

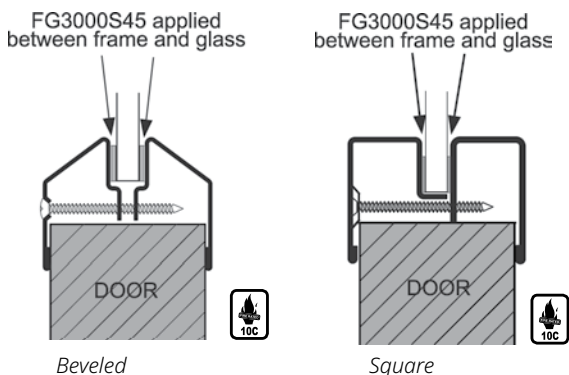
# FG3000S45 FIRE GLAZING TAPE IN 20- AND 45-MINUTE WOOD DOOR

## Metal Vision Frame Applications

### FG3000S45

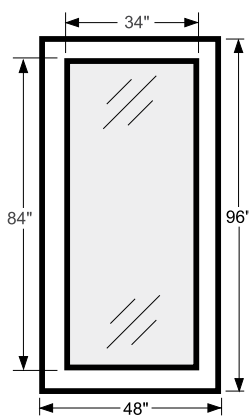


### Sectional View of Applications

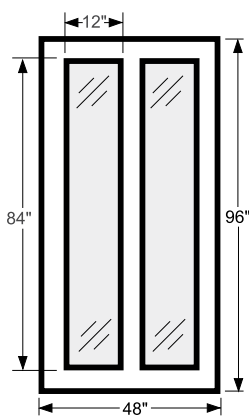


### Technical Data for 20- And 45-Minute Wood Doors Equipped with FG3000S45 (Metal Vision Frame, Single and Multiple Lite Applications)

#### Lite Configurations



Single Vision Lite



Multiple Vision Lites

The maximum visible glass area allowed for single lites is 34" wide x 84" high; for single and multiple lites, the total visible glass area allowed is 2,856 square inches per door.

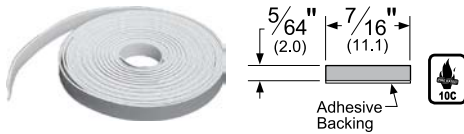
Lite Specifications	Door Specification	Listing/Labeling Specifications
<p><b>Maximum Dimensions (Single Lite):</b> 34" wide x 84" high, 2,856 square inches per lite</p> <p><b>Maximum Combined Dimensions (Multiple Lites):</b> Multiple vision lites are allowed in both the 20- and 45-minute doors, but the combined total visible glass area allowed is 2,856 square inches per door.</p>	<p><b>Maximum Dimensions:</b> Or both 20- and 45-minute doors, the maximum wood door size is 48" x 96" single, pairs approved</p>	<ul style="list-style-type: none"> <li>• Door and frame must be manufactured by companies that are classified by Underwriters Laboratories Inc.® for the manufacturing and labeling of hollow metal fire doors. Warnock Hersey (I.T.S.) listings are also available through participating hollow metal manufacturers</li> <li>• Listed Glazing Products include: <ul style="list-style-type: none"> <li>- <b>Wire Glazing:</b> Pilkington, Asahi and Central Glass</li> </ul> </li> <li>• Individual door and frame manufacturers' modification procedures may vary slightly from the size listings shown</li> </ul>

# FG3000S90 FIRE GLAZING TAPE IN 90-MINUTE HOLLOW METAL DOOR METAL VISION FRAME APPLICATIONS

- Verify all applications with your door and/or frame manufacturer
- For exterior fire-rated applications, seal against moisture using industry standard methods

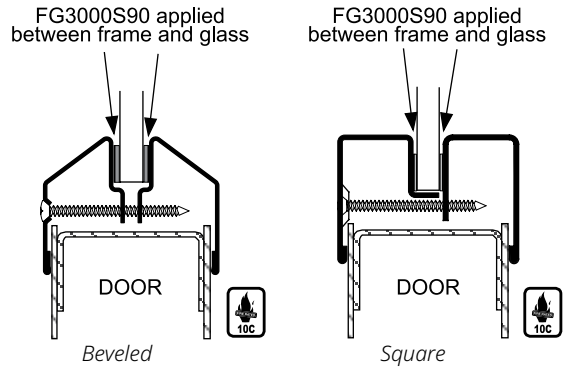
## FG3000S90

AVAILABLE LENGTHS: 8', 16'



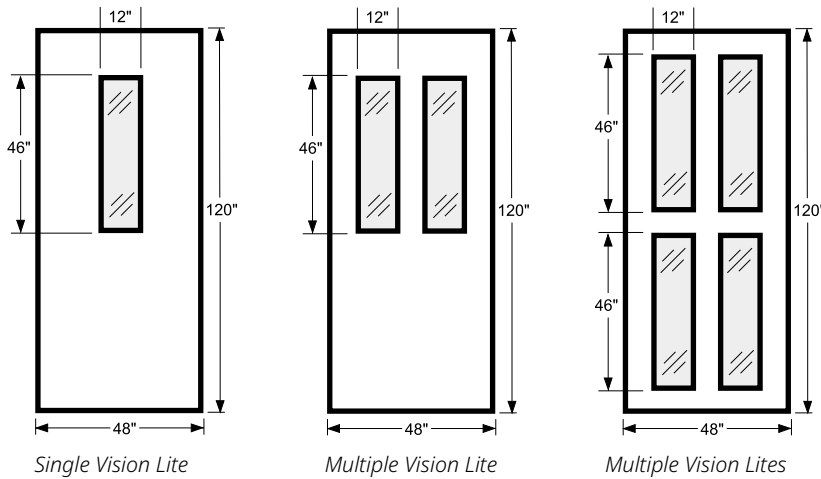
Color: White

## Sectional View of Applications



## Technical Data for 90-Minute Hollow Metal Doors Equipped with FG3000S90 (Metal Vision Frame, Single And Multiple Lite Applications)

### Lite Configurations



The maximum visible glass area allowed for single lites is 12" wide x 46" high or 552 square inches per vision lite; for multiple lites, the largest approved door configuration is two (2) vision lites at 12" wide x 46" high above two (2) vision lites at 12" wide x 46" high (as shown at far right). No more than four (4) lites are allowed per door, and the combined total visible glass area allowed is 2,208 square inches per door.

Lite Specifications	Door Specification	Listing/Labeling Specifications
<p><b>Maximum Dimensions (Single Lite):</b> 12" wide x 46" high, 552 square inches per lite</p> <p><b>Maximum Combined Dimensions (Multiple Lites):</b> Multiple vision lites are allowed in 90-minute doors, but the combined total visible glass area allowed is 2,208 square inches per door. No more than four (4) lites are allowed per door. The largest approved configuration is above two (2) vision lites at 12" wide x 46" high above two vision lites at 12" wide x 46" high.</p>	<p><b>Maximum Dimensions:</b> For 90-minute doors, the maximum hollow metal door size is 48" x 120" single, pairs approved.</p>	<ul style="list-style-type: none"> <li>• Door and frame must be manufactured by companies that are classified by Underwriters Laboratories Inc.® for the manufacturing and labeling of hollow metal fire doors. Warnock Hersey (I.T.S.) listings are also available through participating hollow metal manufacturers</li> <li>• Listed Glazing Products include: <ul style="list-style-type: none"> <li>- Wire Glazing: Pilkington, Asahi and Central Glass</li> </ul> </li> <li>• Individual door and frame manufacturers' modification procedures may vary slightly from the size listings shown.</li> </ul>



Experience a safer and more open world

800-824-3018 | www.pemko.com  
Check the web site for the up-to-date catalog

Copyright © 2015-2022, ASSA ABLOY Accessories and Door Controls Group, Inc., an ASSA ABLOY Group company. All rights reserved. Reproduction in whole or in part without the express written permission of ASSA ABLOY Accessories and Door Controls Group, Inc. is prohibited.



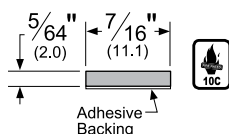
# FG3000S90 FIRE GLAZING TAPE IN 60- AND 90-MINUTE WOOD DOORS

## Metal Vision Frame Applications

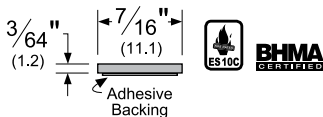
- Verify all applications with your door and/or frame manufacturer
- For exterior fire-rated applications, a clear silicone caulk is recommended for water proofing

### FG3000S90

AVAILABLE LENGTHS: 8', 16'

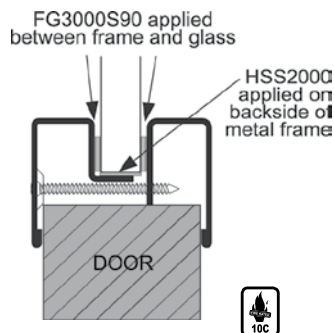


### HSS2000



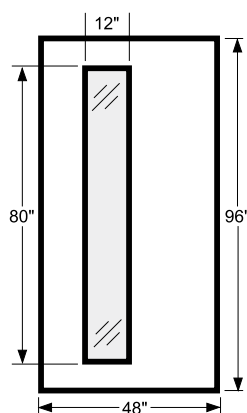
HSS2000 is required to be installed with FG3000S90 for positive pressure applications only. For more information about HSS2000, please see the Adhesive Gasketing section.

## Sectional View of Applications

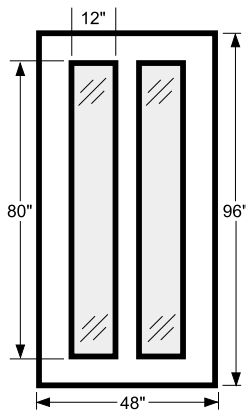


## Technical Data for 60- and 90-Minute Wood Doors Equipped with FG3000S90 & HSS2000 (Metal Vision Frame, Single and Multiple Lite Applications)

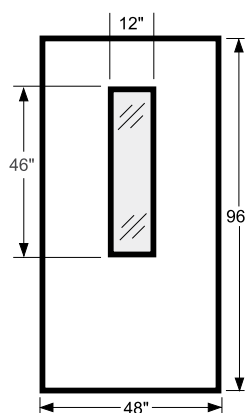
### Lite Configurations



Single Vision Lite, 60-Minute Door



Multiple Vision Lites, 60-Minute Door



Single Vision Lite, 90-Minute Door

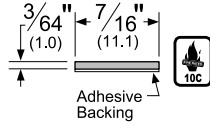
The maximum visible glass area allowed for 60-minute single lites is 12" wide x 80" high or 960 square inches per vision lite; 90-minute doors are allowed a maximum visible glass area of 12" wide x 46" high or 552 square inches per vision lite. Multiple lites (allowed on 60-minute doors only) have a maximum combined visible glass area of 1,920 square inches per door.

Lite Specifications	Door Specification	Listing/Labeling Specifications
<p><b>Maximum Dimensions (Single Lite, 60-Minute):</b> 12" wide x 80" high; 960 square inches per lite</p> <p><b>Maximum Dimensions (Single Lite, 90-Minute):</b> 12" wide x 46" high; 552 square inches per lite</p> <p><b>Maximum Combined Dimensions (Multiple Lites, 60-Minute):</b> Multiple vision lites are allowed in 60-minute doors only; the combined total visible glass area allowed is 1,920 square inches per door</p>	<p><b>Maximum Dimensions:</b> For both 60- and 90-minute doors, the maximum wood door size is 48" x 96" single, pairs approved</p>	<ul style="list-style-type: none"> <li>• Door must be manufactured by companies that are classified by Underwriters Laboratories Inc.® for the manufacturing and labeling of hollow metal fire doors. Warnock Hersey (I.T.S.) listings are also available through participating hollow metal manufacturers.</li> <li>• Listed Glazing Products include: <ul style="list-style-type: none"> <li>– Wire Glazing: Pilkington, Asahi and Central Glass</li> </ul> </li> <li>• Individual door and frame manufacturers' modification procedures may vary slightly from the size listings shown</li> <li>• HSS2000 is required on Positive Pressure applications only</li> </ul>

# FG3000S45 FIRE GLAZING TAPE IN 20- AND 45-MINUTE WOOD DOORS AND FRAMES

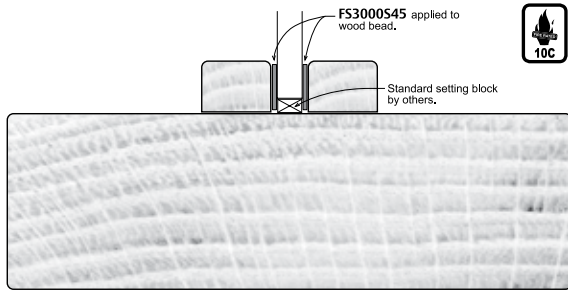
## FG3000S45

AVAILABLE LENGTHS:  
7', 8', 14', 16'



- Verify all applications with your door and/or frame manufacturer
- For exterior fire-rated applications, seal against moisture using standard industry methods
- Wood vision frames rated 20-minute and 45-minute
- Wood sidelite frames rated 20-minute and 45-minute
- Wood borrowed lite frames rated 20-minute and 45-minute

### Technical Data for 20-Minute Wood Sidelite Frame/Wood Lite Bead/Clear Tempered Glass



#### Maximum Visible Glazing Dimensions (Sidelite):

32 7/8" x 87 13/16"

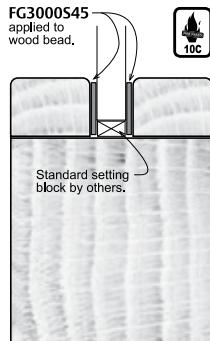
#### Glazing Materials (Sidelite):

- PyroEdge 20™ by Interedge Technologies
- Fireglass 20™ by Technical Glass Products

#### Listing/Labeling Specifications:

- Positive Pressure Tested and Listed
- Verify availability with door and frame manufacturer

### Technical Data For 20-Minute Full Lite Wood Door/Wood Lite Frame/Clear Tempered Glass



#### Maximum Visible Glazing Dimensions (Lite):

- (4'0" x 8'0" Door): 32 7/8" x 75 13/16"
- (4'0" x 8'0" Door): 32 7/8" x 75 13/16"

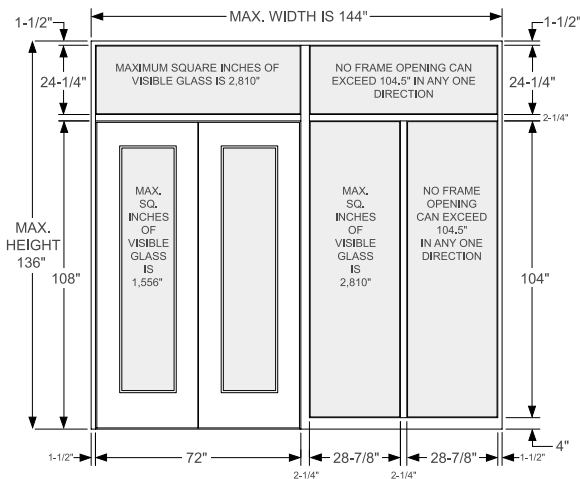
#### Glazing Materials (Sidelite):

- PyroEdge 20™ by Interedge Technologies
- Fireglass 20™ by Technical Glass Products

#### Listing/Labeling Specifications:

- Positive Pressure Tested and Listed
- Verify availability with door and frame manufacturer

### Technical Data for: 20- and 45-Minute Full Lite Wood Door/Wood Lite Frame With Wire Glass or FireLite™, 20- and 45-Minute Wood Sidelite Frame/Borrowed Lite Frame/Transom Lite Frame with Wire Glass or FireLite™



#### Lite Specifications (see diagram at left):

- Positive Pressure Tested and Listed
- Large visible glazing areas
- Wire Glass and FireLite™
- Verify availability with door and frame manufacturer.

#### Contact These Manufacturers:

##### Navy Island, Inc.

275 Marie Ave East, West St. Paul, MN 55118  
Phone: 651.451.4454, Fax: 651.451.4484

##### Eggers Industries - Frame Plant

1819 East River Street, Two Rivers, WI 54241  
Phone: 920.793.1351, Fax: 920.793.2958



Experience a safer  
and more open world

800-824-3018 | www.pemko.com  
Check the web site for the up-to-date catalog

Copyright © 2015-2022, ASSA ABLOY Accessories and Door Controls Group, Inc., an ASSA ABLOY Group company. All rights reserved. Reproduction in whole or in part without the express written permission of ASSA ABLOY Accessories and Door Controls Group, Inc. is prohibited.

# PEMKO DOOR & FRAME ACCESSORIES



## CONTENTS:

Glazing Bead/Spreader Bar .....	308
Reinforcements - Fillers .....	308
Reinforcements - Misc. ....	309

## INDEX:

<u>PRODUCT</u>	<u>PAGE</u>
CB1-50PK .....	308
CR2-5PK .....	309
GS2-20PK .....	308
GS3-20PK .....	308
GS4-20PK .....	308
HF3-25PK .....	308

800-824-3018 | [www.pemko.com](http://www.pemko.com)  
 Check the web site for the up-to-date catalog

Copyright © 2015-2022, ASSA ABLOY Accessories and Door Controls Group, Inc., an ASSA ABLOY Group company. All rights reserved.  
 Reproduction in whole or in part without the express written permission of ASSA ABLOY Accessories and Door Controls Group, Inc. is prohibited.

**PEMKO**  
**ASSA ABLOY**

Experience a safer  
 and more open world

## GLAZING BEAD/SPREADER BAR

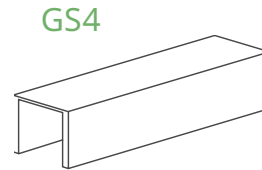
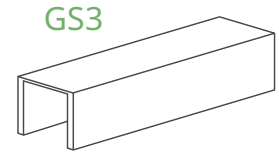
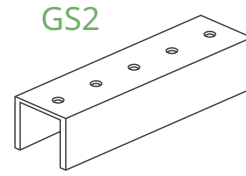
### Glazing Bead

- Sold in 20 packs only
- No fasteners supplied

- GS2-20PK**
- $\frac{5}{8}$ " H x  $\frac{3}{4}$ " W x 10'0" L (Outer Dimension)
  - Punched and countersunk for #8 screw
  - Hole spacings are 6" from ends and 12" on center
  - .049 18 gauge A40 galvanized steel

- GS3-20PK**
- $\frac{5}{8}$ " H x  $\frac{3}{4}$ " W x 10'0" L (Outer Dimension)
  - Blank (no holes)
  - .049 18 gauge A40 galvanized steel

- GS4-20PK**
- $\frac{5}{8}$ " H x  $\frac{3}{4}$ " W x 3'0" L (Outer Dimension)
  - Blank (no holes)
  - .049 18 gauge A40 galvanized steel

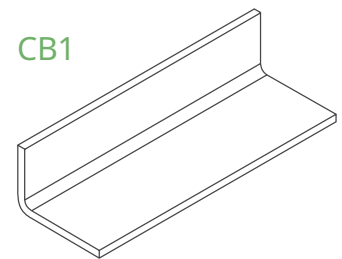


## REINFORCEMENTS - FILLERS

### Corner Fillers

- Holes in one side for anchoring  $1\frac{5}{8}$ " x  $1\frac{5}{8}$ "
- .065 - 16 gauge galvanized steel
- Sold in 50 packs only

- CB1-50PK**
- 2" face frame corner filler.
  - $\frac{5}{8}$ " x  $\frac{7}{16}$ " lip x  $1\frac{13}{16}$ " wide

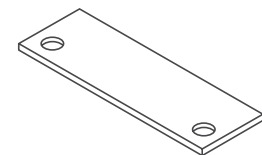


### Frame Hinge Filler Plate

- For  $1\frac{3}{4}$ " rabbeted frames
- Two (2) #12-24 x  $\frac{1}{2}$ " F.H.M.S.
- Sold in 25 packs only

- HF3-25PK**
- $4\frac{1}{2}$ " hinge filler for frames.
  - $1\frac{5}{8}$ " x  $4\frac{1}{2}$ " x .134 HRPO

HF3

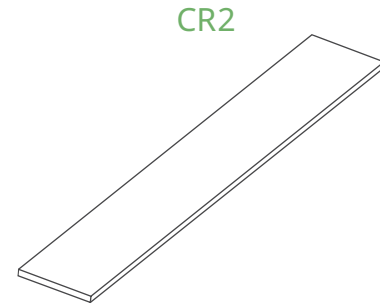


## REINFORCEMENTS - MISC.

### Weld-In Reinforcements

- Weld-in closer reinforcement
- CR2 sold in 5 packs only
- CR3 sold in 20 packs only

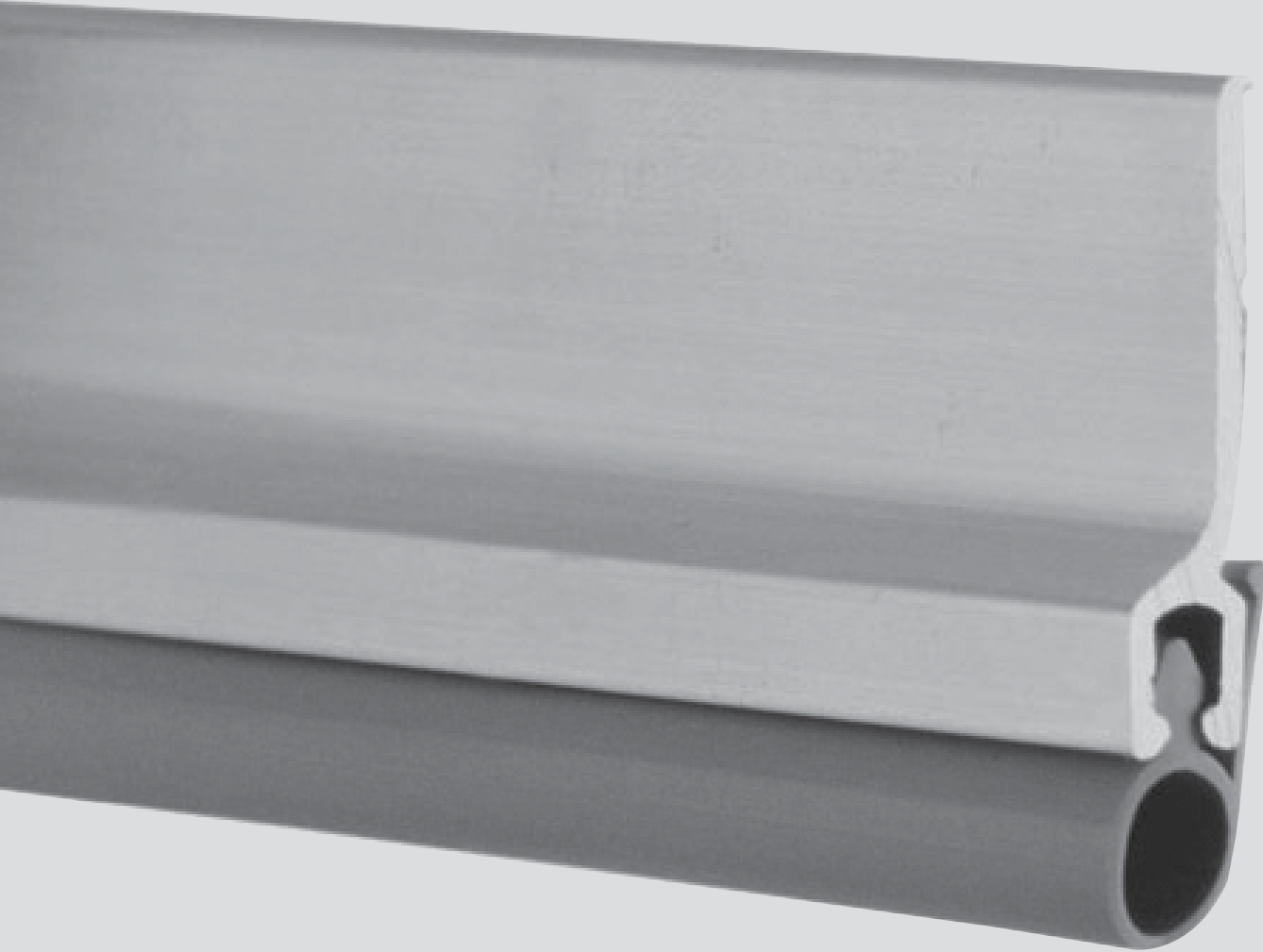
- CR2-5PK**
- 12" flat closer reinforcement for standard and PA mount closers
  - 1<sup>3</sup>/<sub>4</sub>" x 12" x .134 - 10 gauge HRPO



The ASSA ABLOY Group is the global leader in access solutions.  
Every day, we help billions of people experience a more open world.

ASSA ABLOY Opening Solutions leads the development within door openings and products for access solutions in homes, businesses and institutions. Our offering includes doors, frames, door and window hardware, mechanical and smart locks, access control and service.

**PEMKO**  
**ASSA ABLOY**



Pemko  
5535 Distribution Dr.  
Memphis, TN 38141  
[www.pemko.com](http://www.pemko.com)  
[orders.pemko@assaabloy.com](mailto:orders.pemko@assaabloy.com)

Memphis, TN USA  
P: 800 824 3018  
F: 800 243 3656

Ventura, CA USA  
P: 800 283 9988  
F: 800 283 4050

Vaughan, ON CA  
P: 800 461 3007  
F: 800 461 8989